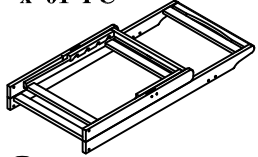


ASSEMBLY INSTRUCTION

(A)
Main frame sunlounger
x 01 PC



(B)
The leg a (left and right)
x 04 PCS



(C)
The leg b (left and right)
x 02 PCS



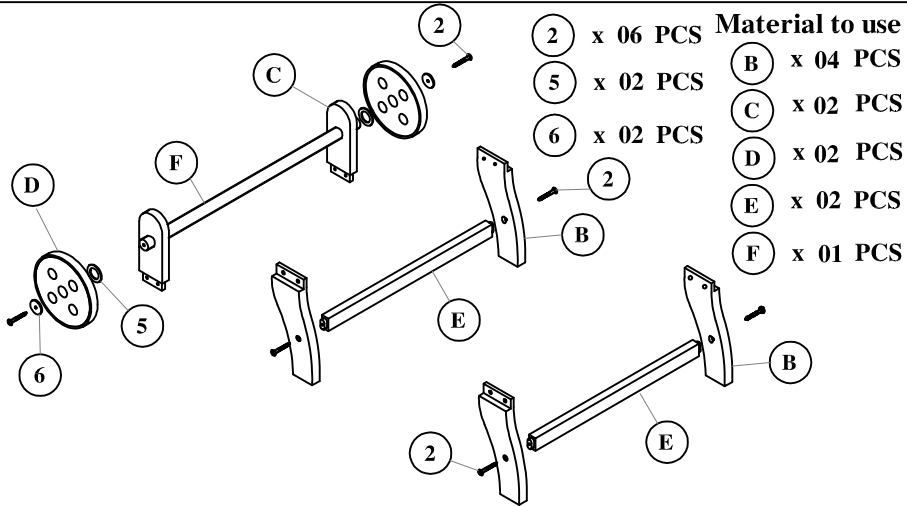
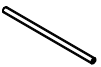
(D) The wheels
x 02 PCS



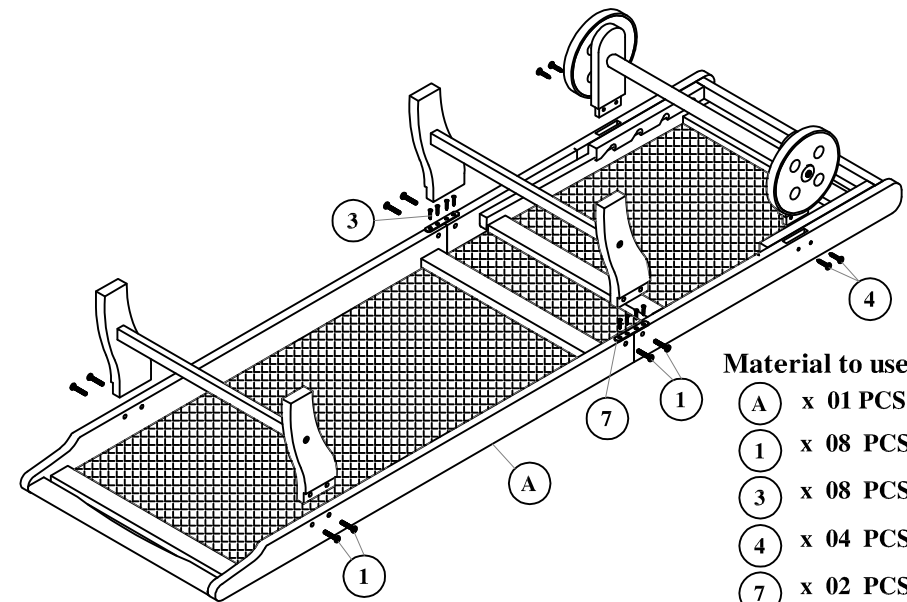
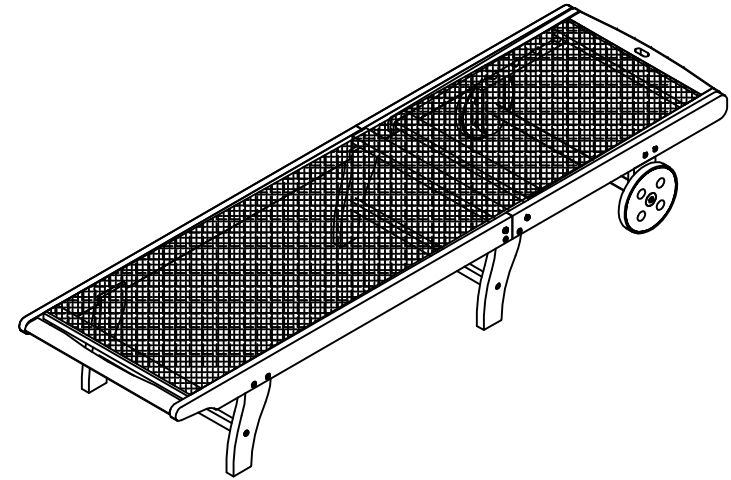
(E)
The bar support leg a
x 02 PCS



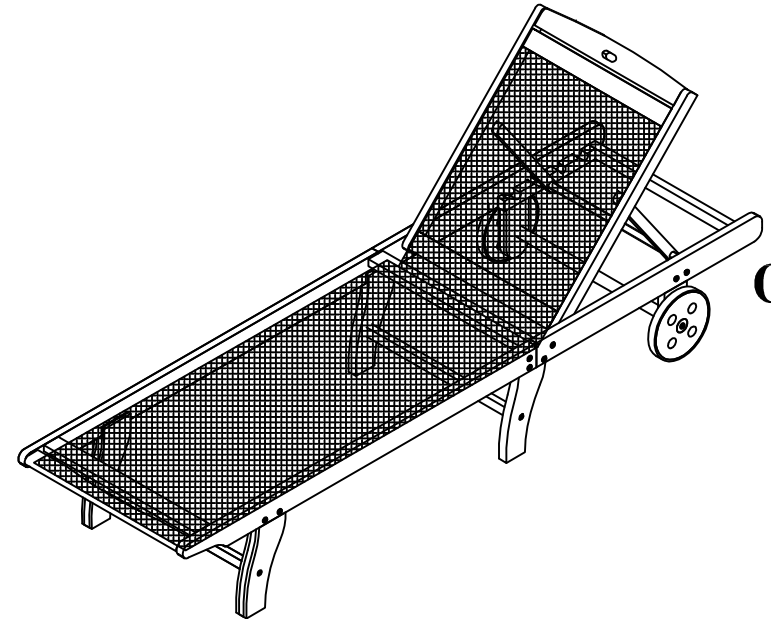
(F)
The bar support leg b
x 01 PC



Material to use
(2) x 06 PCS
(5) x 02 PCS
(6) x 02 PCS
(B) x 04 PCS
(C) x 02 PCS
(D) x 02 PCS
(E) x 02 PCS
(F) x 01 PCS



Material to use
(A) x 01 PCS
(1) x 08 PCS
(3) x 08 PCS
(4) x 04 PCS
(7) x 02 PCS



OK

