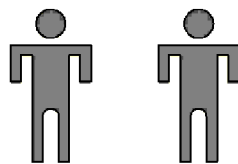
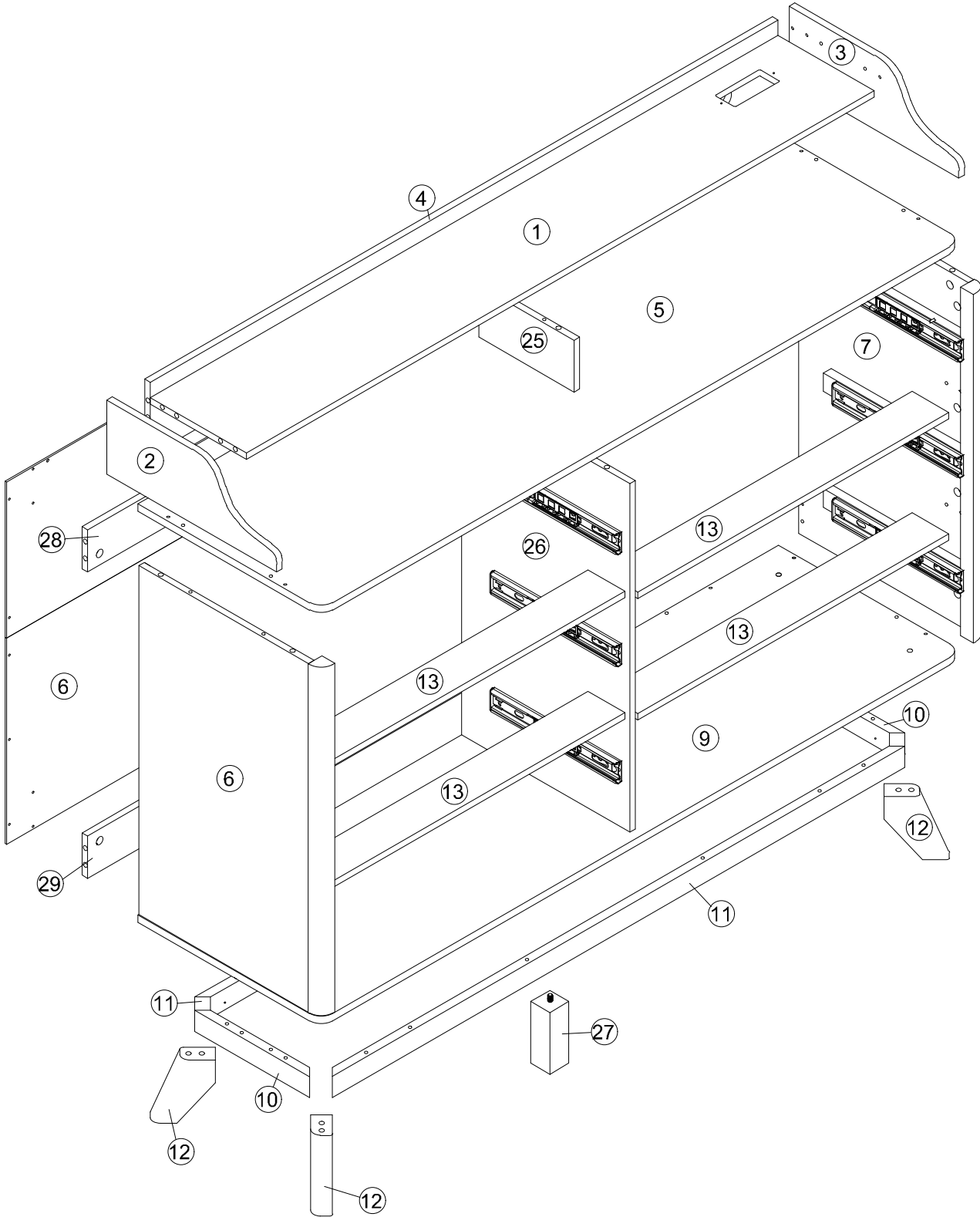


ASSEMBLY INSTRUCTIONS

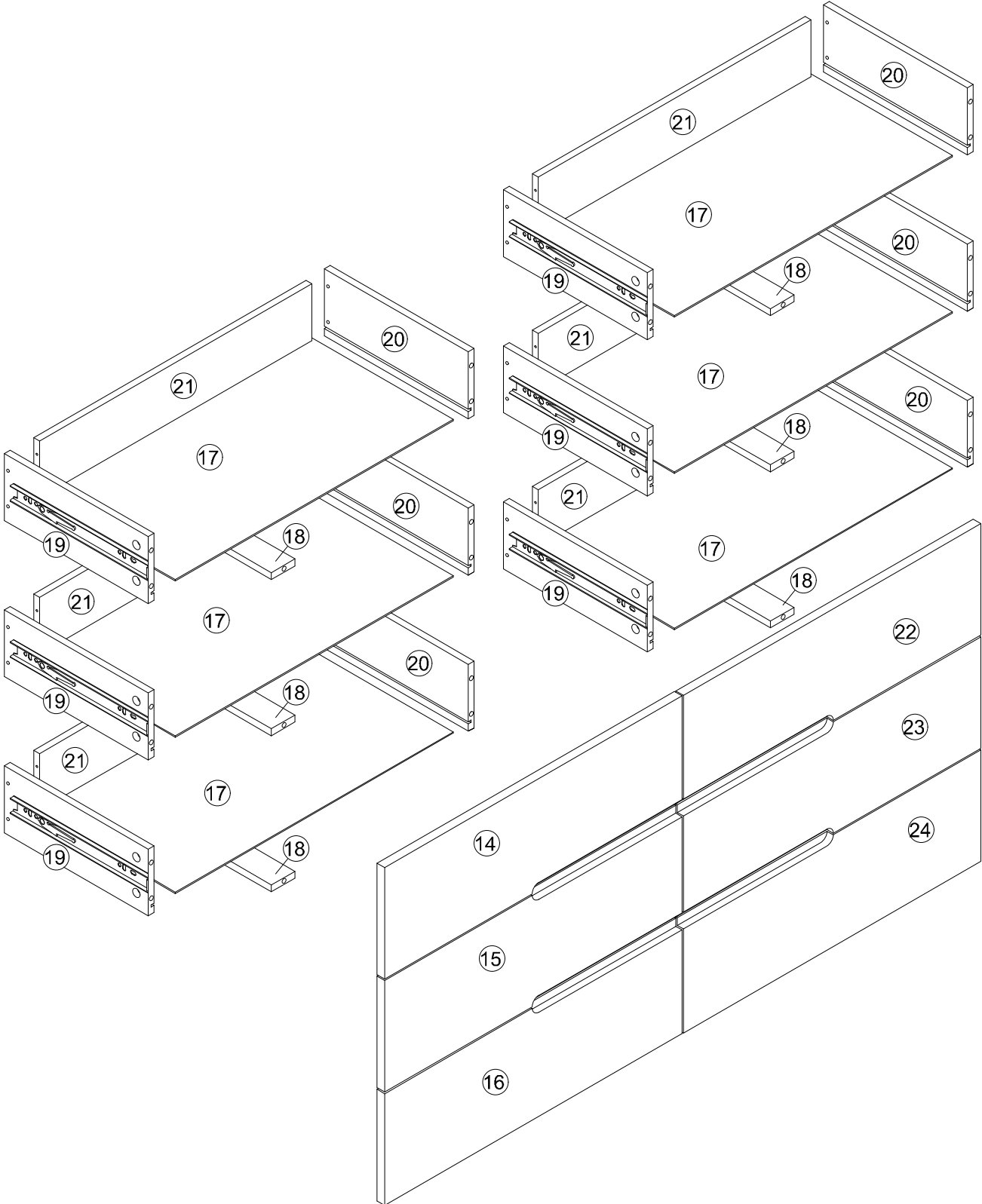


2 people for assembly


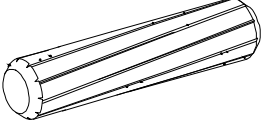

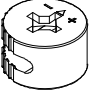
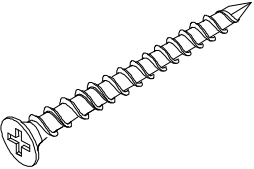
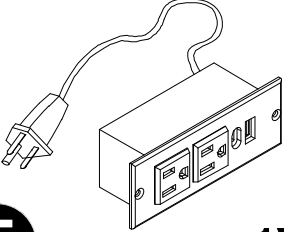


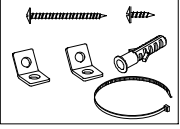
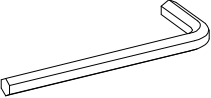
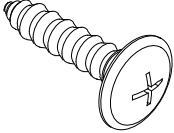
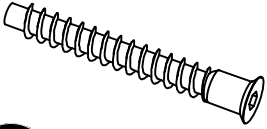
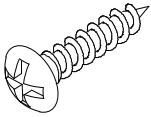
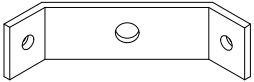
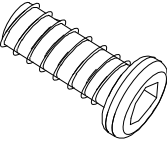
PACKAGE INCLUDE



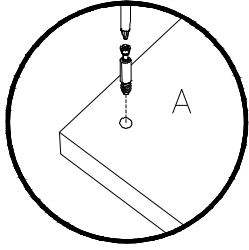
PACKAGE INCLUDE



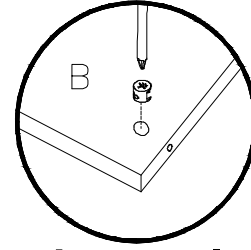
PACKAGE CONTENT

<p>∅5.8X30MM</p>  <p>A 49X+2</p>	<p>∅7.8X30MM</p>  <p>B 12X+1</p>	<p>∅6X34MM</p>  <p>C 64X+2</p>	<p>∅15X9MM</p>  <p>D 64X+2</p>
<p>∅4X38MM</p>  <p>E 74X+2</p>	 <p>F 1X</p>	<p>∅3.5X12MM</p>  <p>G 2X+1</p>	<p>PVC round cover cap</p>  <p>H 24X+1</p>
 <p>I 2X</p>	 <p>J 1X</p>	<p>∅3X12MM</p>  <p>K 26X+1</p>	<p>∅6*50MM</p>  <p>L 4X+1</p>
<p>∅4X14MM</p>  <p>M 8X+1</p>	 <p>N 4X</p>	<p>∅1/4"*22mm</p>  <p>O 4X+1</p>	

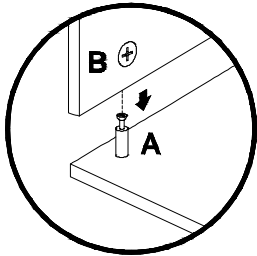
How to use the cam lock system



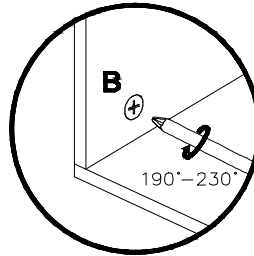
1. Screw cam bolt into panel



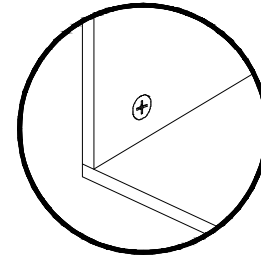
2. Push cam into panel - arrow feature on cam top points to panel edge



3. Align cam bolt(s) with cam(s) and insert all the way into cross-bored hole(s)

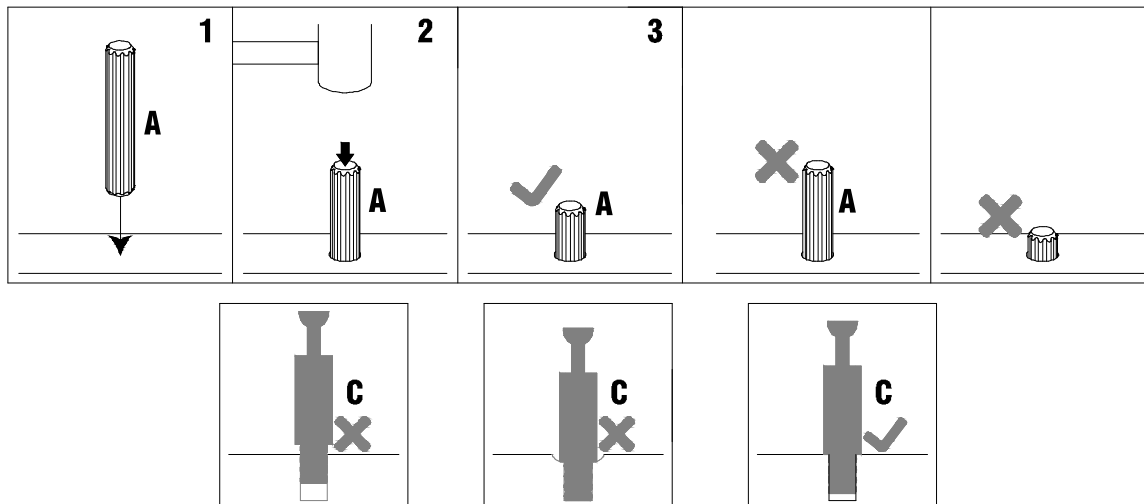


4. Rotate cam(s) clockwise 190°-230° to lock panels together



5. Panels should be tight against each other and connection should be rigid

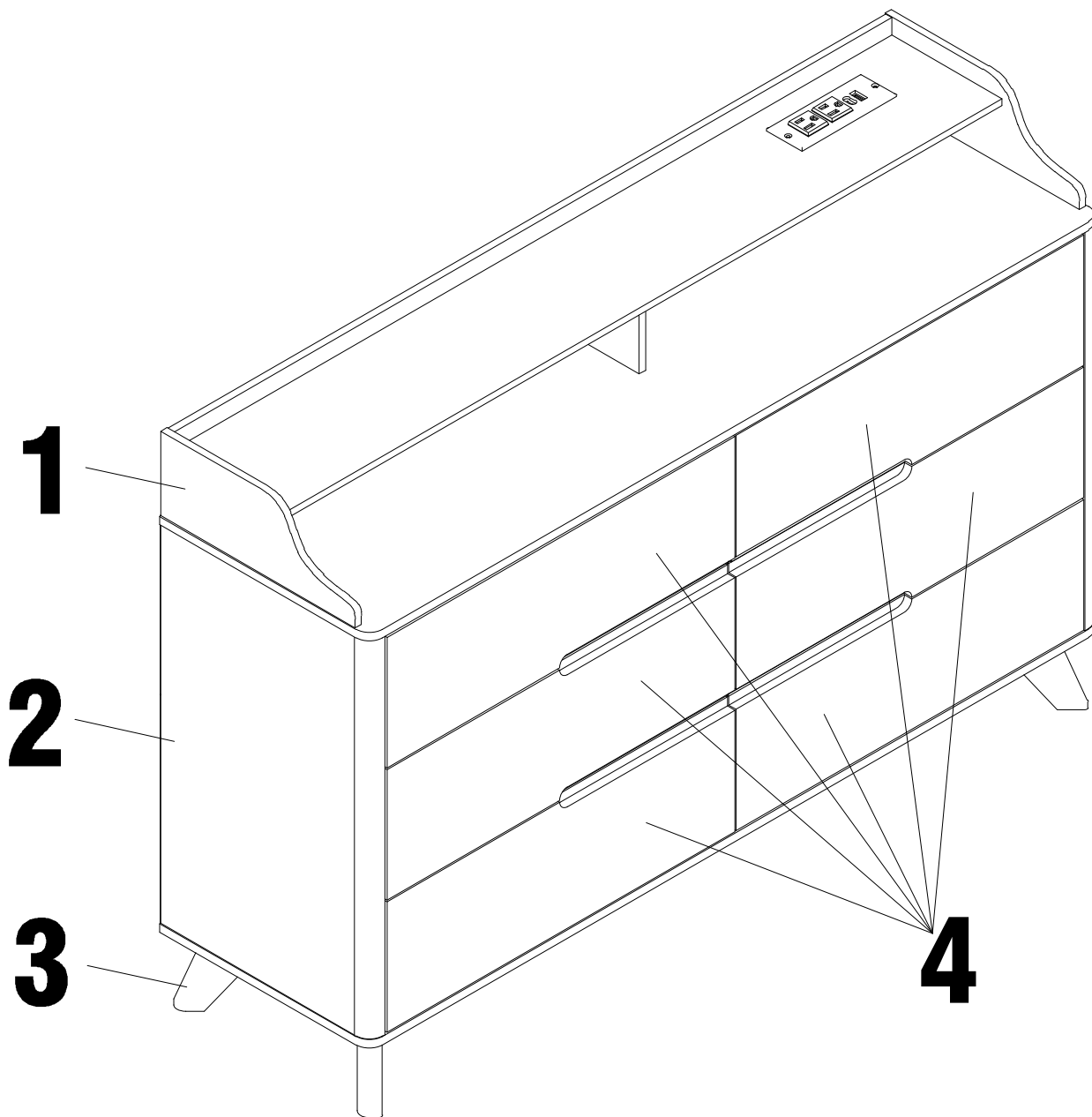
Insert the wood dowel (A) at least half way by tapping lightly with a rubber mallet, IF NECESSARY



⚠ WARNING

- Unit must be placed on a level surface or leveled with included hardware (when applicable).
- Do not sit or stand on or allow children to climb, sit or stand on the assembled product.
- For safety reasons, it is imperative that this unit be mounted to the wall.
- Do not use without installing the tip restraint.
- Unit can tip over causing severe injury or death.
- Do not exceed the recommended weight limits.
- Evenly distribute the weight on each level and always keep the heavier loads on the bottom.
- Before cutting, drilling or hammering into any wall or floor surface, verify the location of electrical, plumbing and gas lines. Cutting may cause serious injury.

Now you can assemble the item.

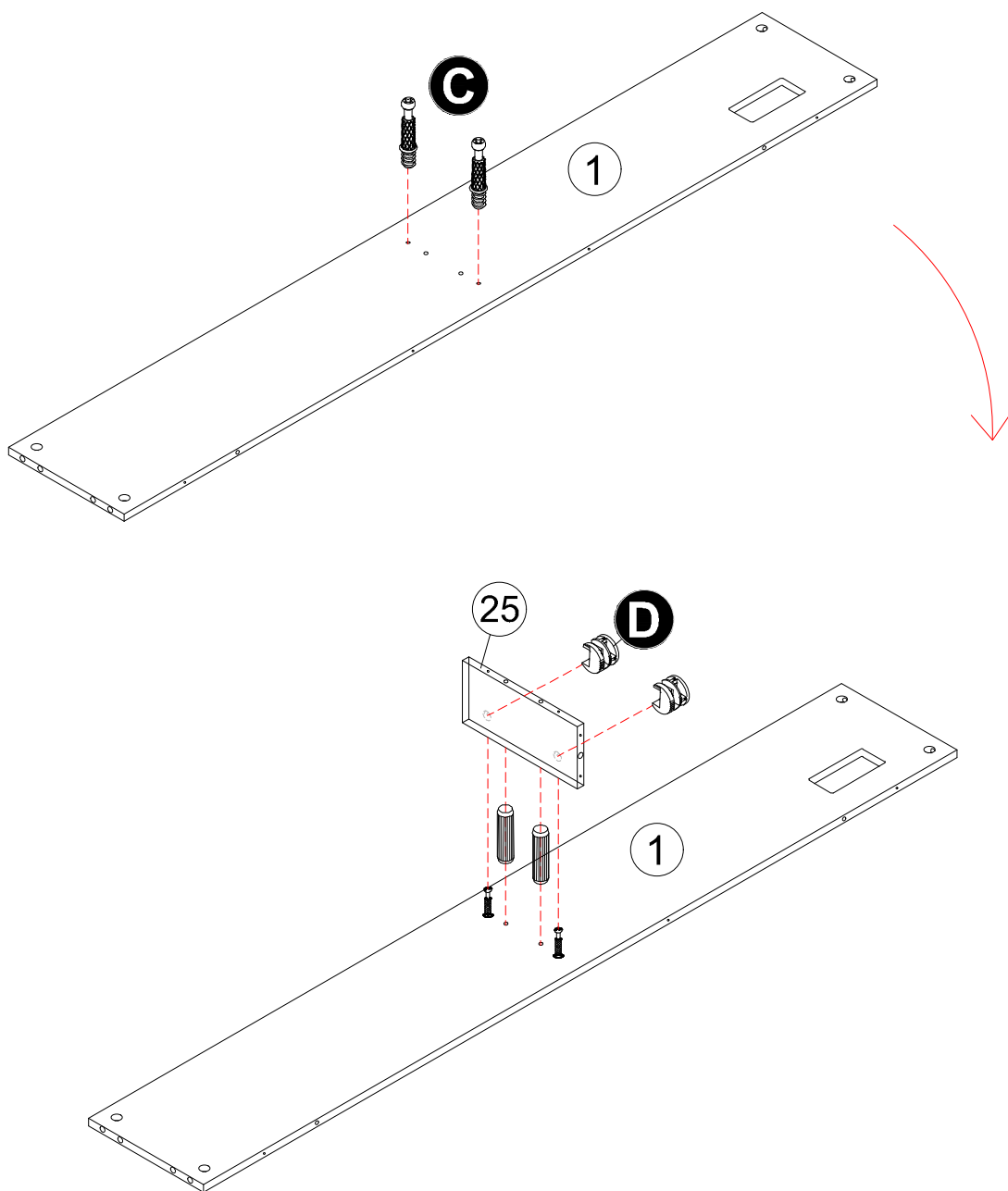
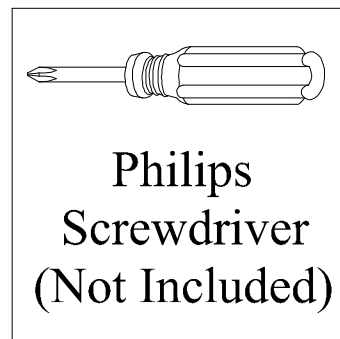
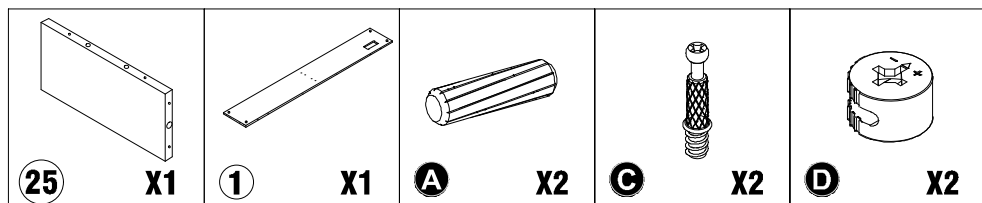


The installation process is divided into three parts:

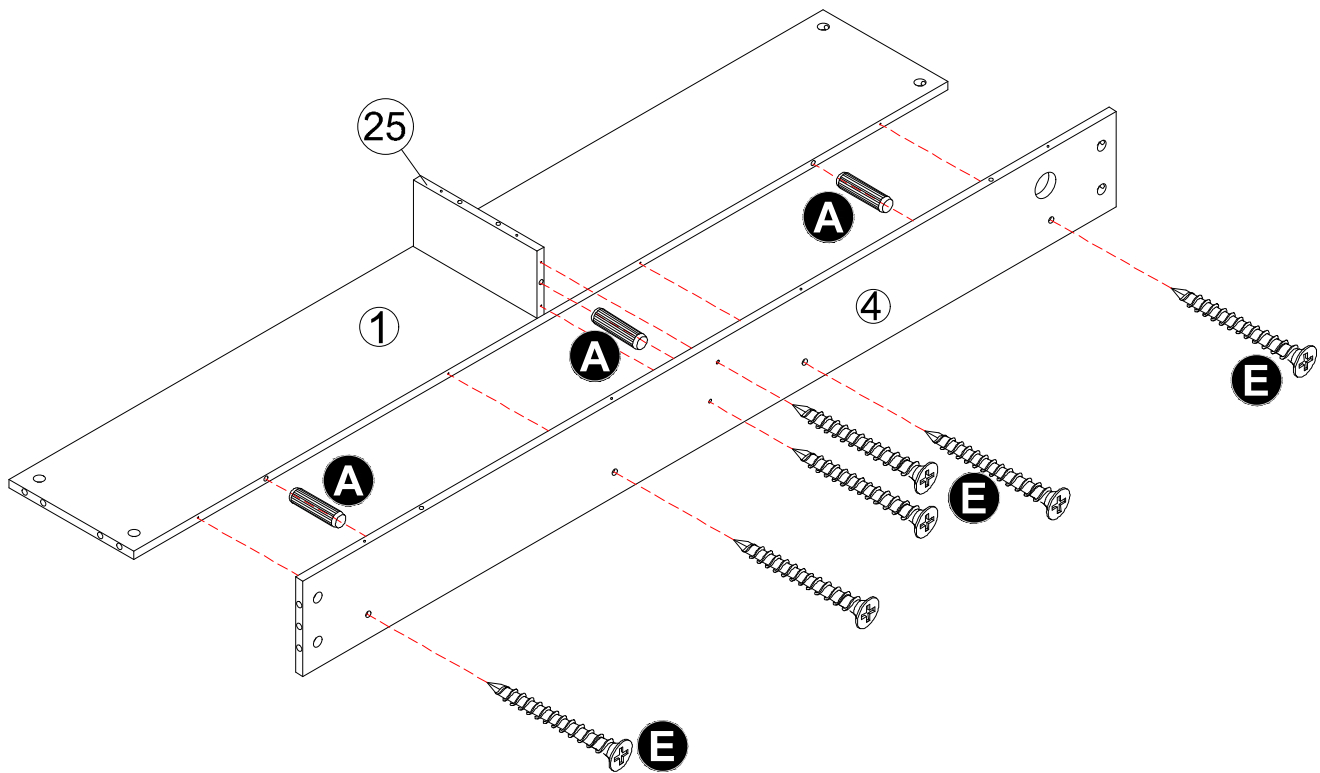
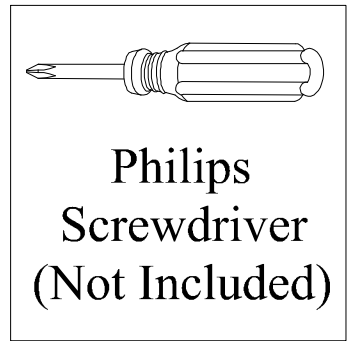
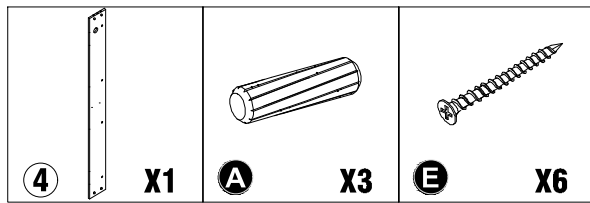
- 1.Assemble the TOP part of the cabinet
- 2.Assemble the MIDDLE part of the cabinet
- 3.Assemble the BOTTOM part of the cabinet
- 4:Assemble the DRAWER components

Tip:
Using an electric screwdriver will make assembly easier.

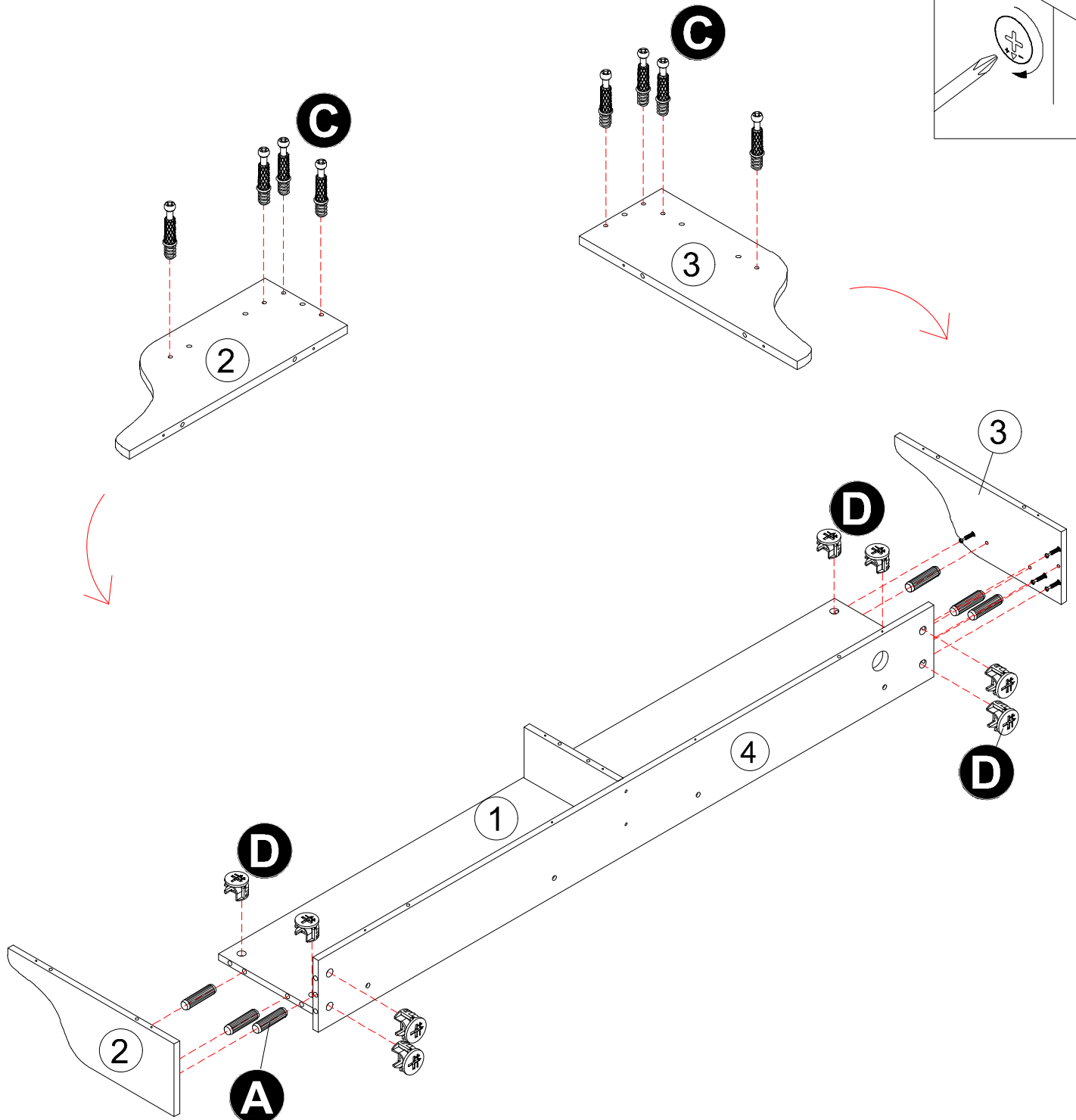
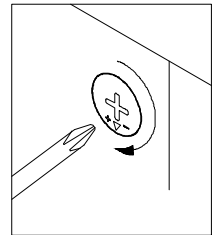
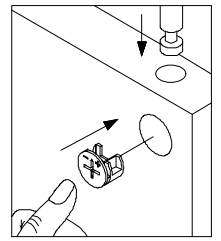
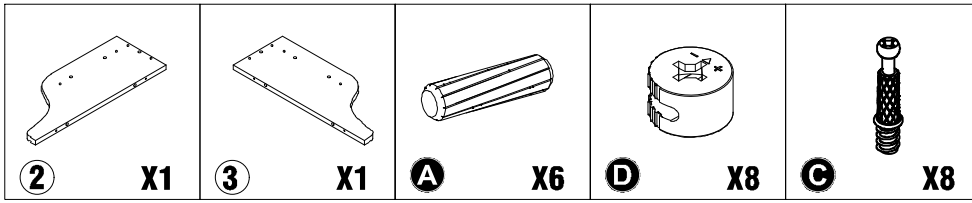
STEP 1 Assemble the top panel and the center panel



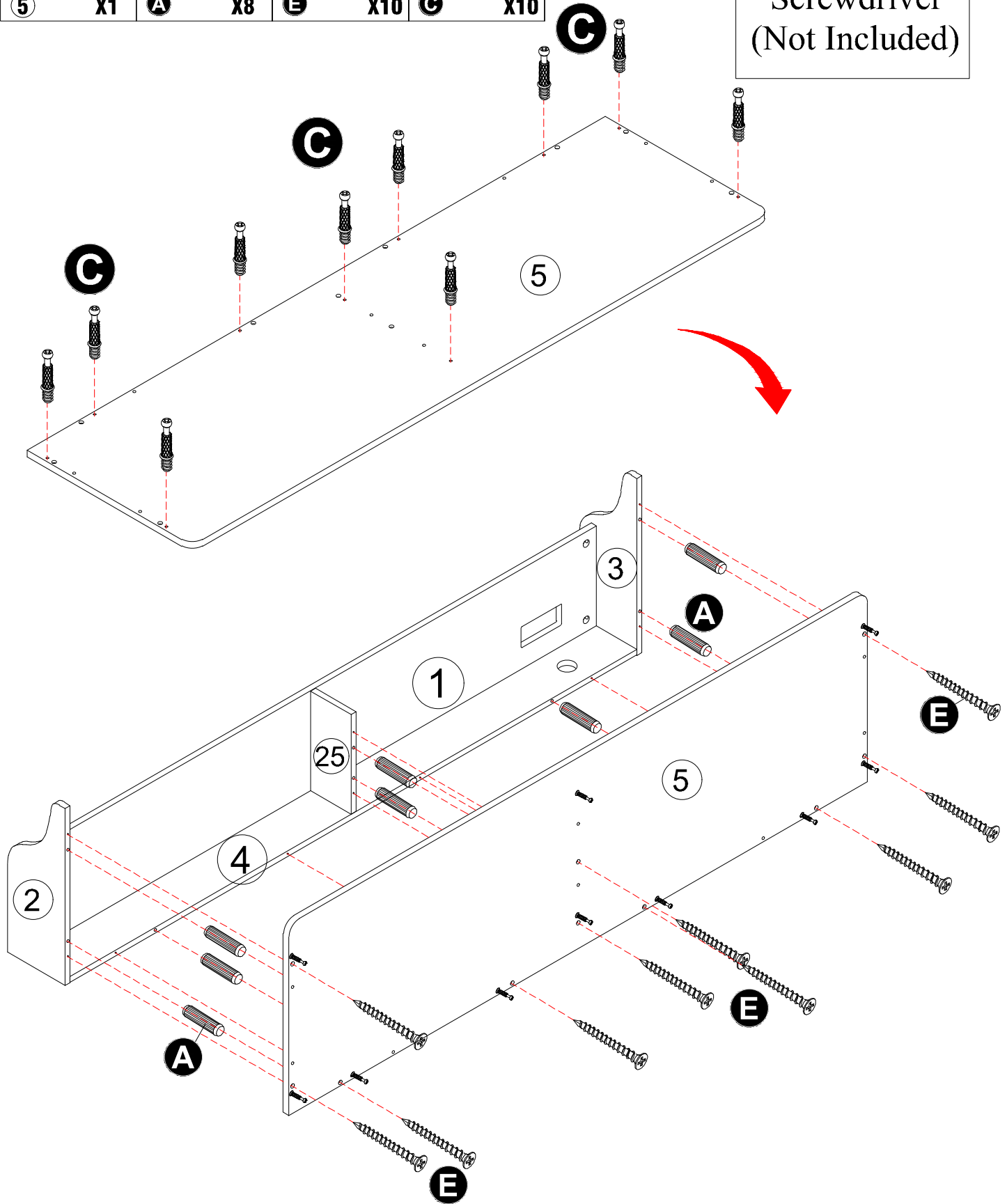
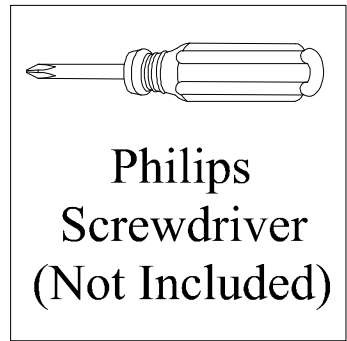
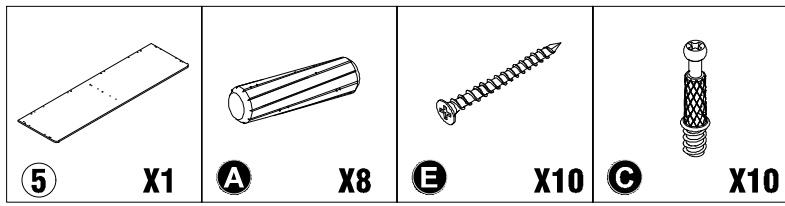
STEP 2 Assemble the top back panel



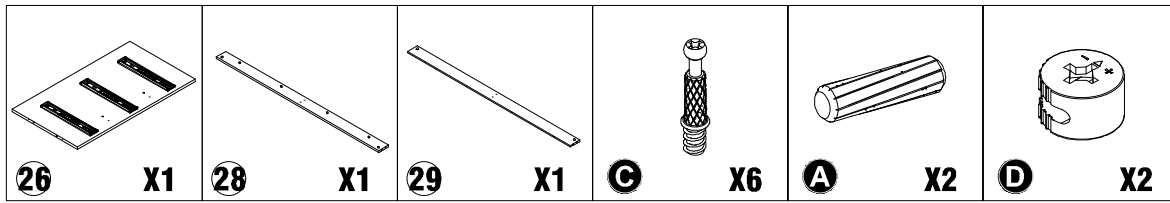
STEP 3 Assemble the left ② and right ③ side panels of the top assembly



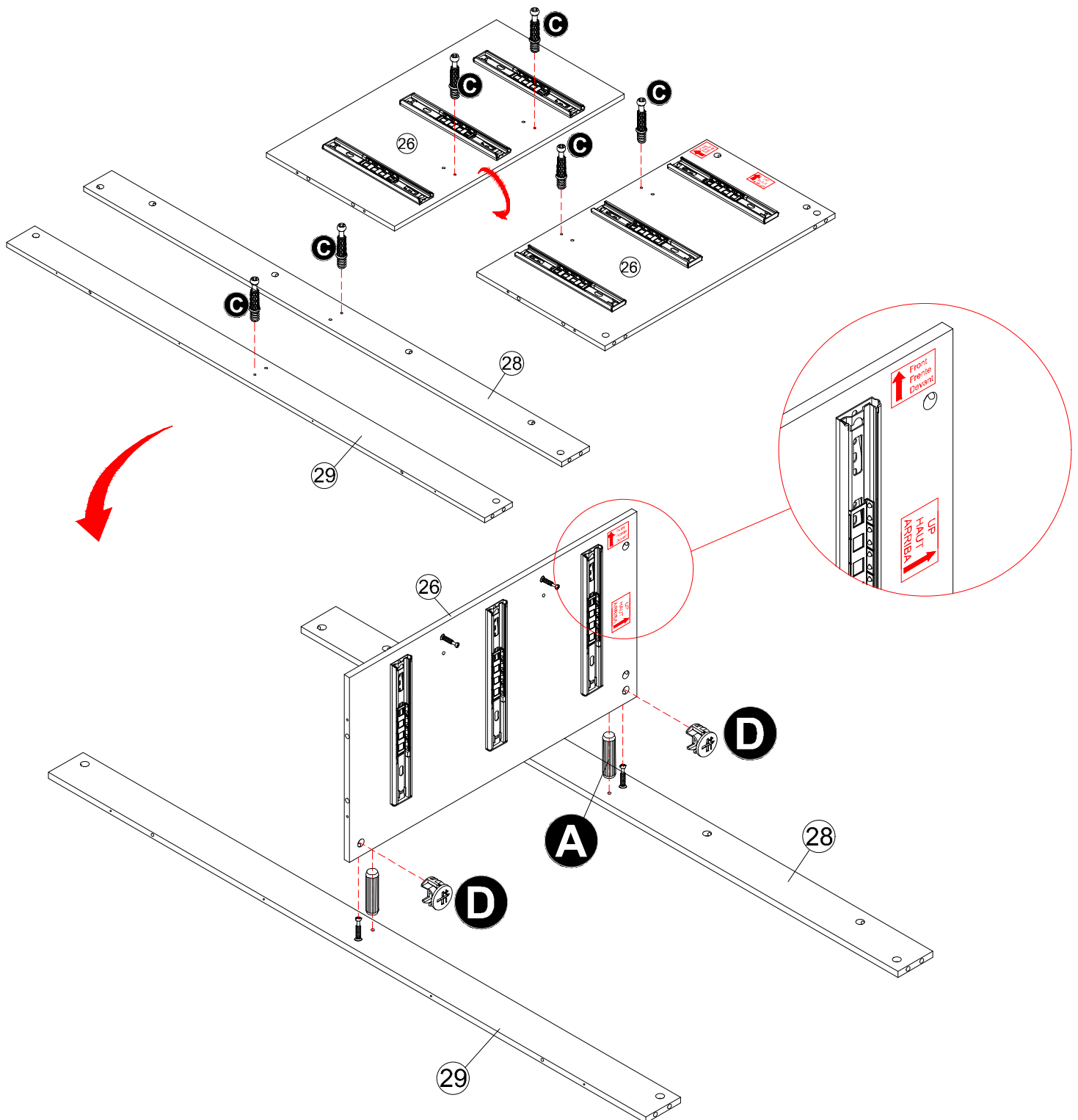
STEP 4 Assemble the top assembly to the face panel



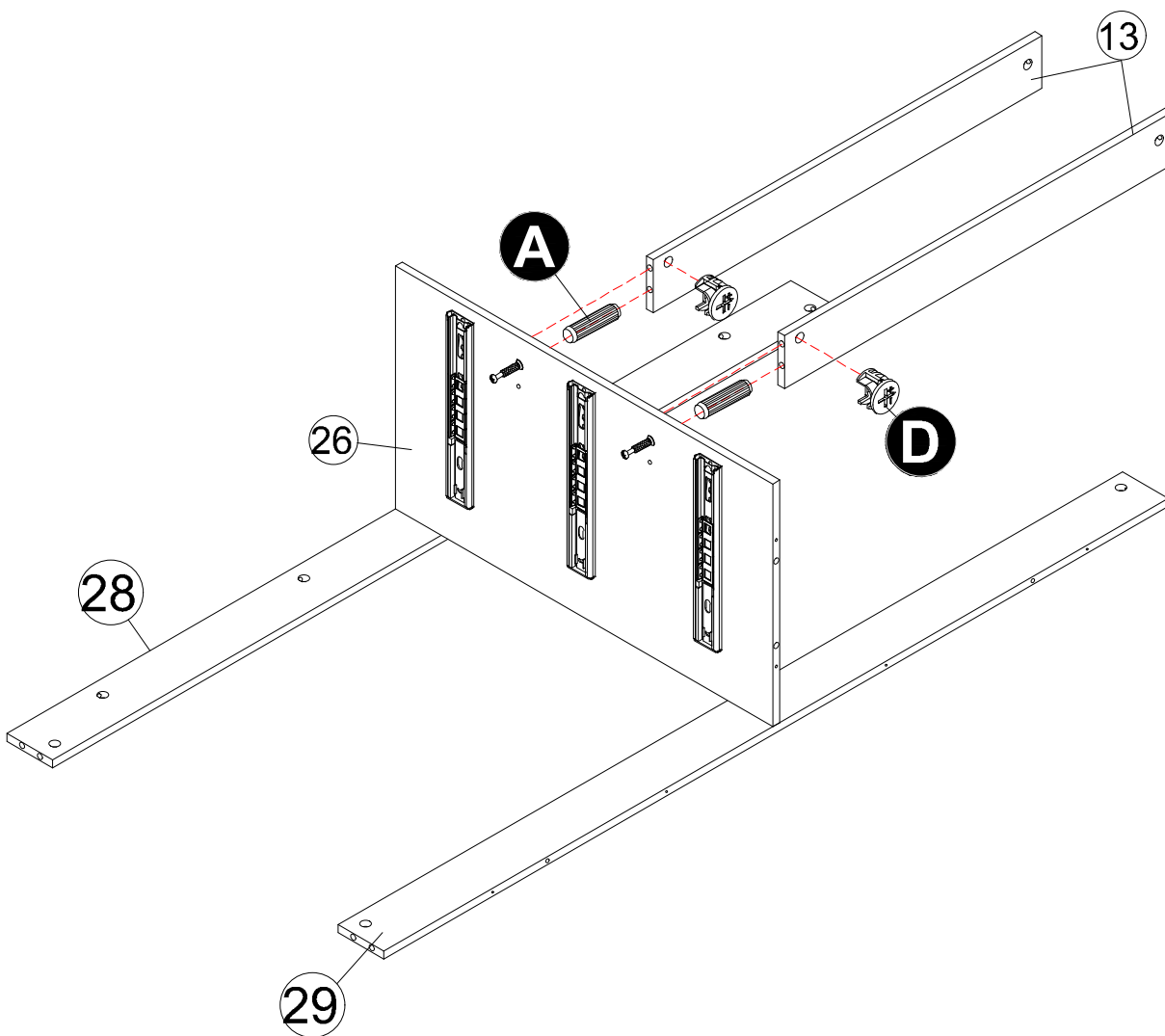
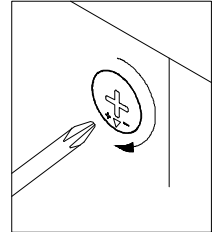
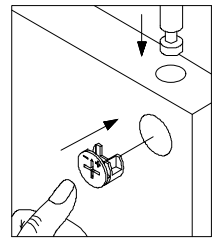
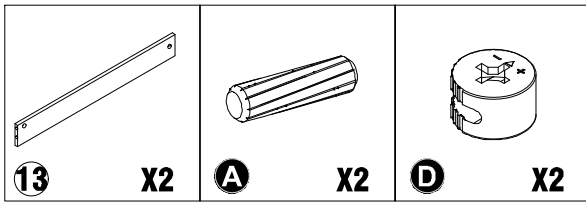
STEP 5 Assemble the center vertical panel (26) with the back rail (28) and rear stretcher (29).



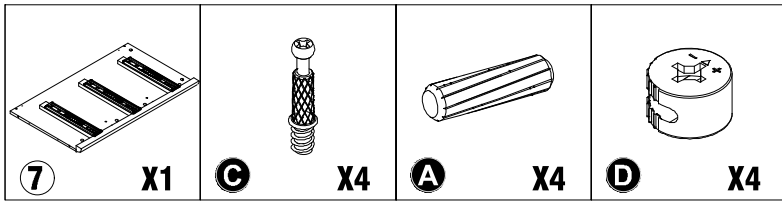
Assemble the components according to the "Front" and "Up" markings.



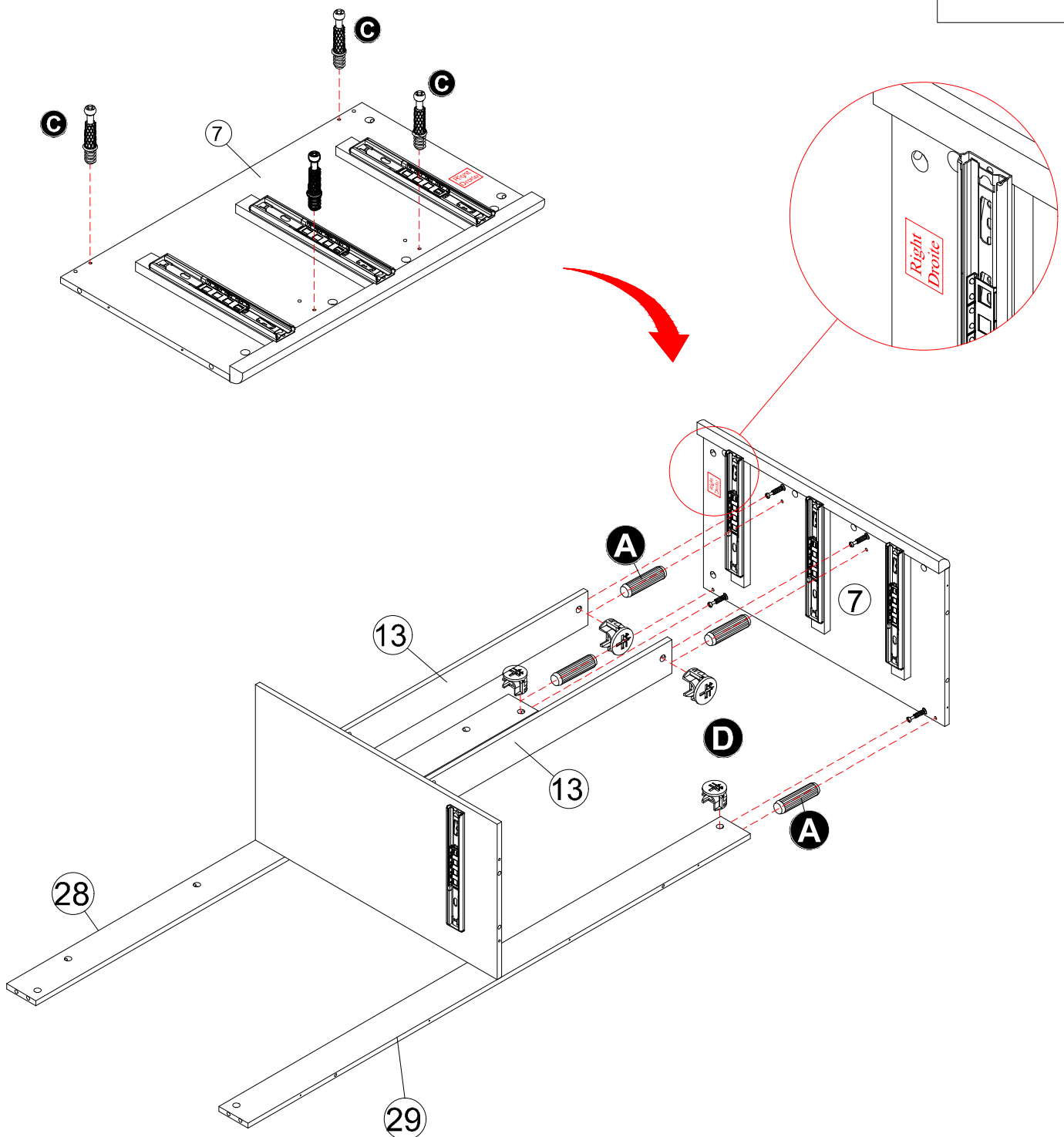
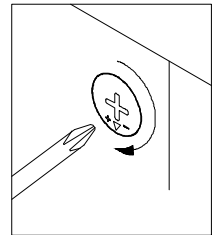
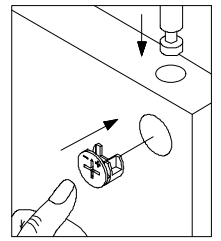
STEP 6 Assemble the right connecting rail



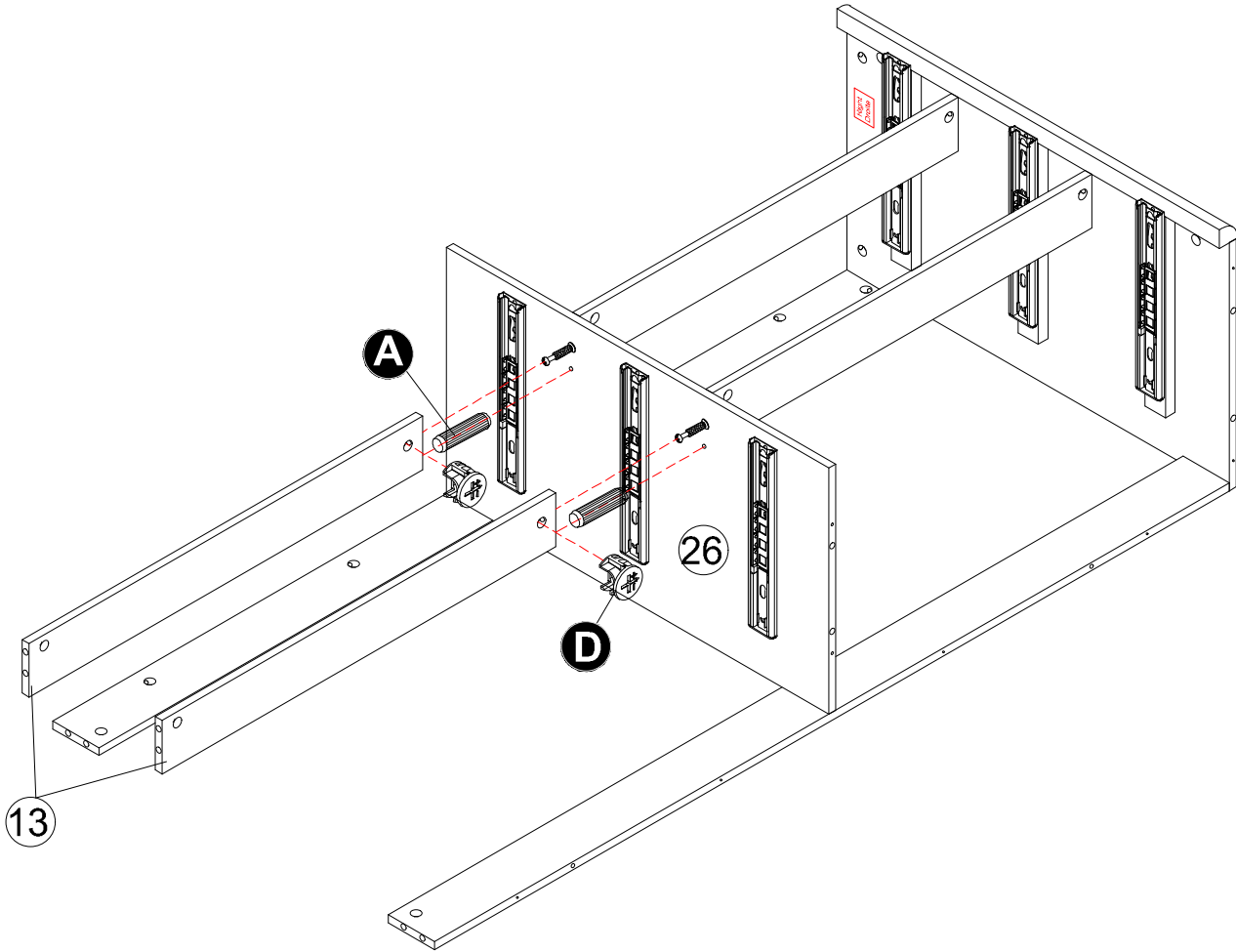
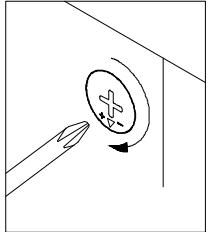
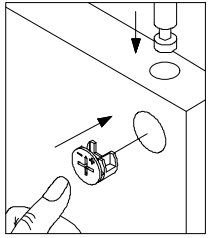
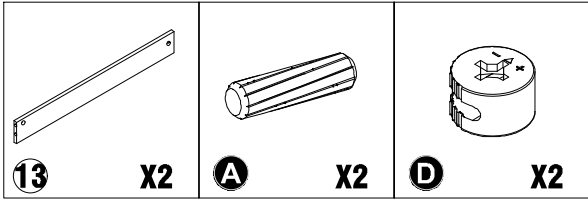
STEP 7 Assemble the right side panel 7 of the cabinet



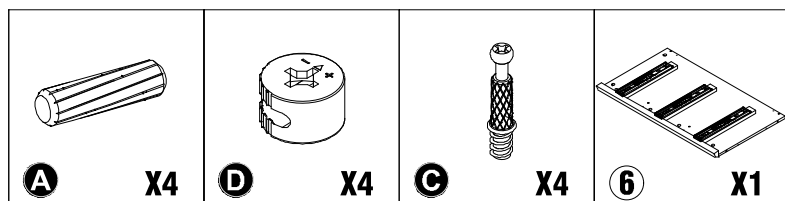
Assemble the components according to the "Right" marking.



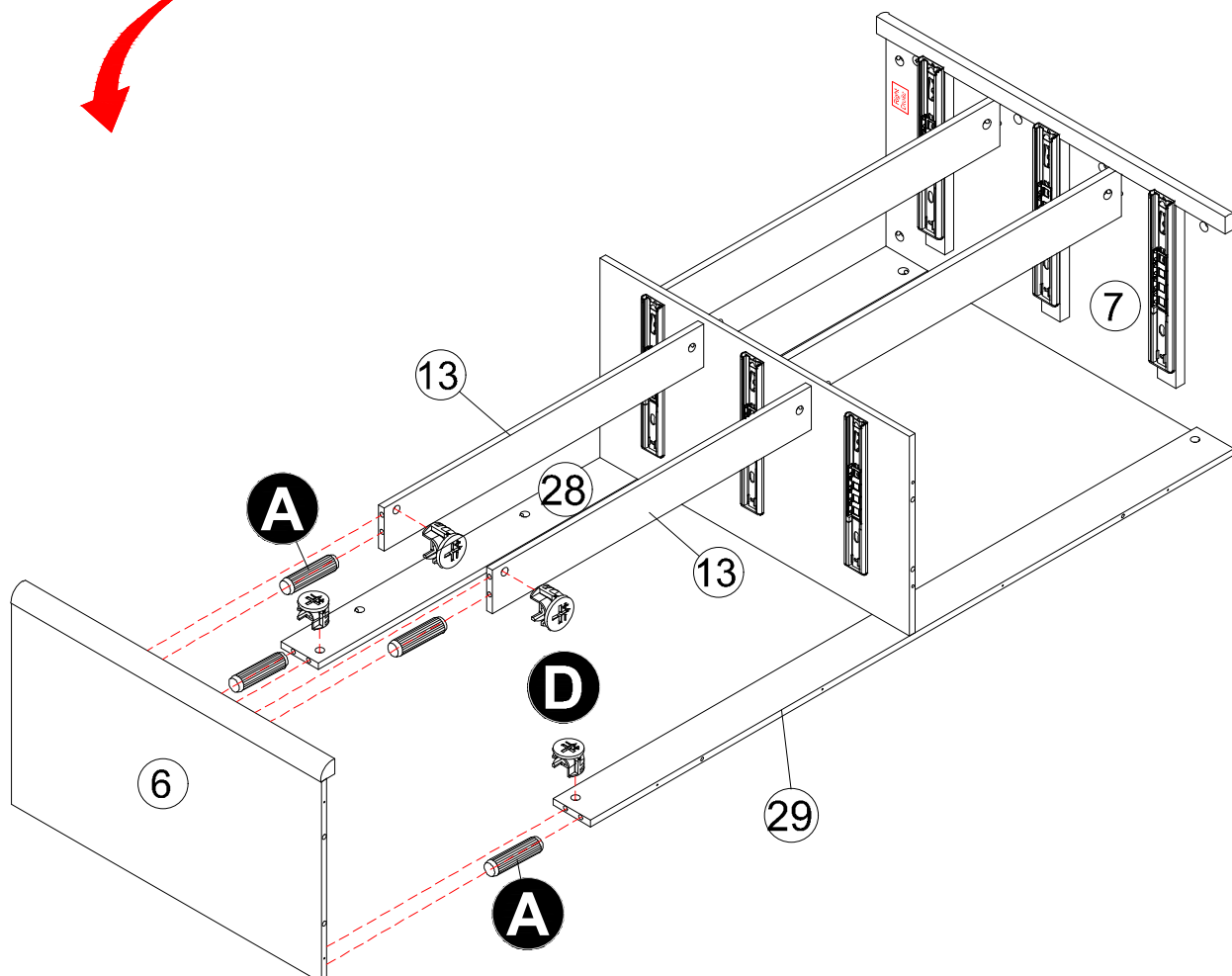
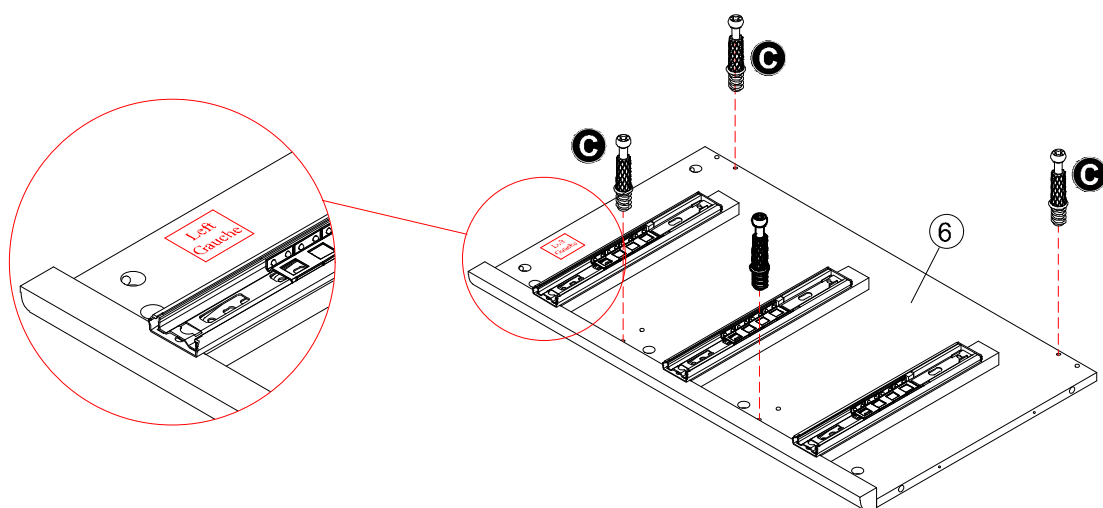
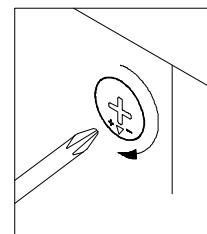
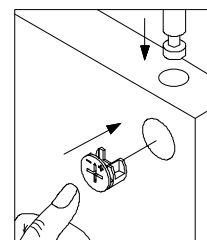
STEP 8 Assemble the left connecting rail



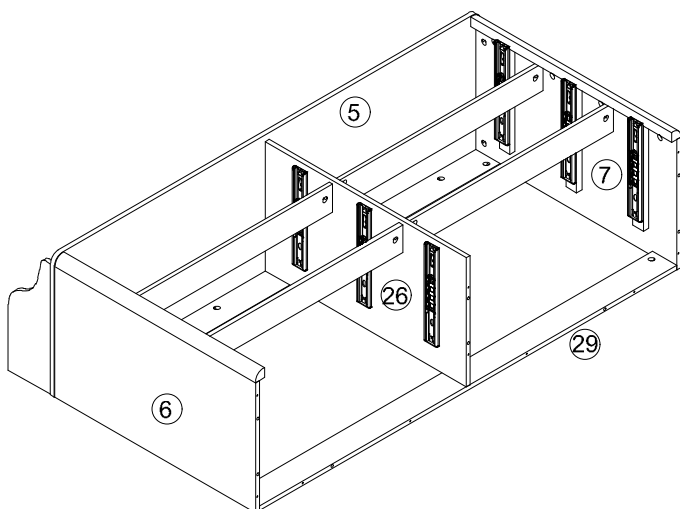
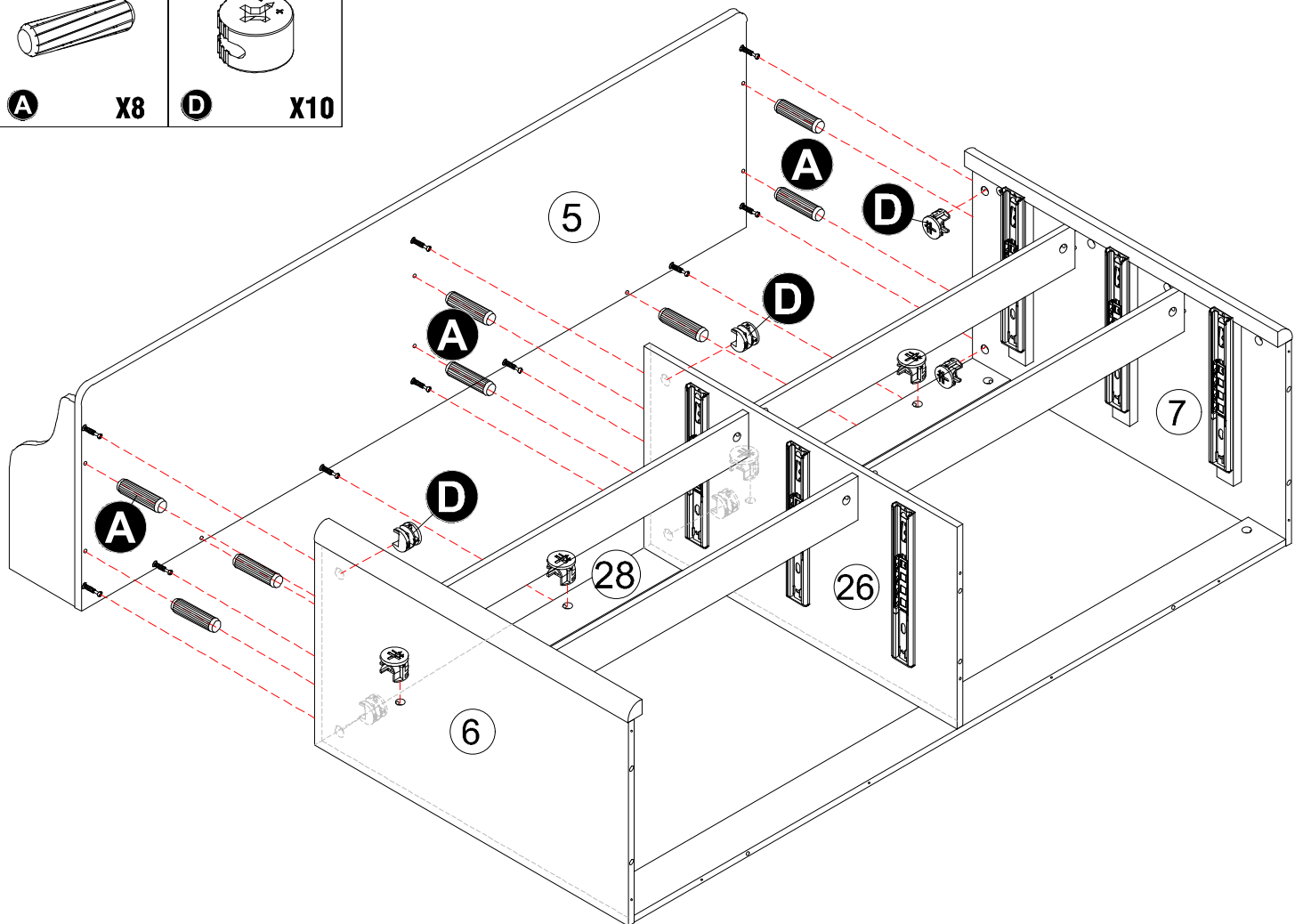
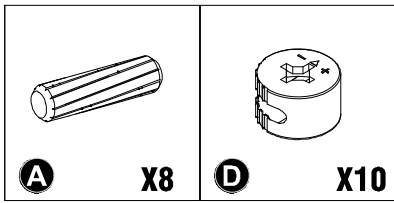
STEP 9 Assemble the left side panel ⑥ of the cabinet



Assemble the components according to the "Left" marking.

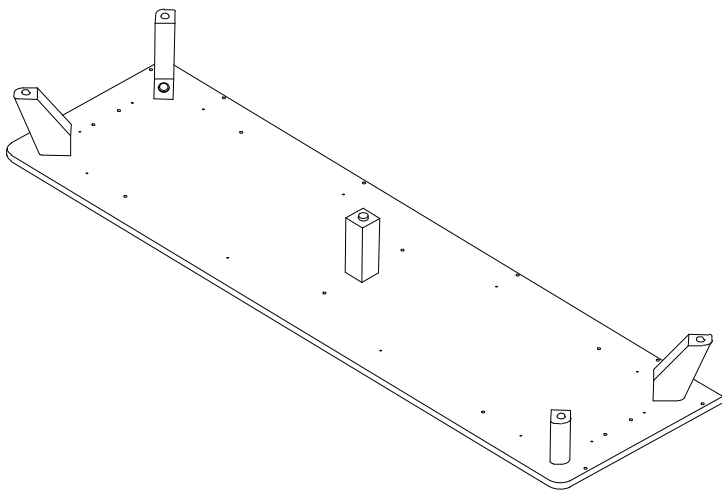
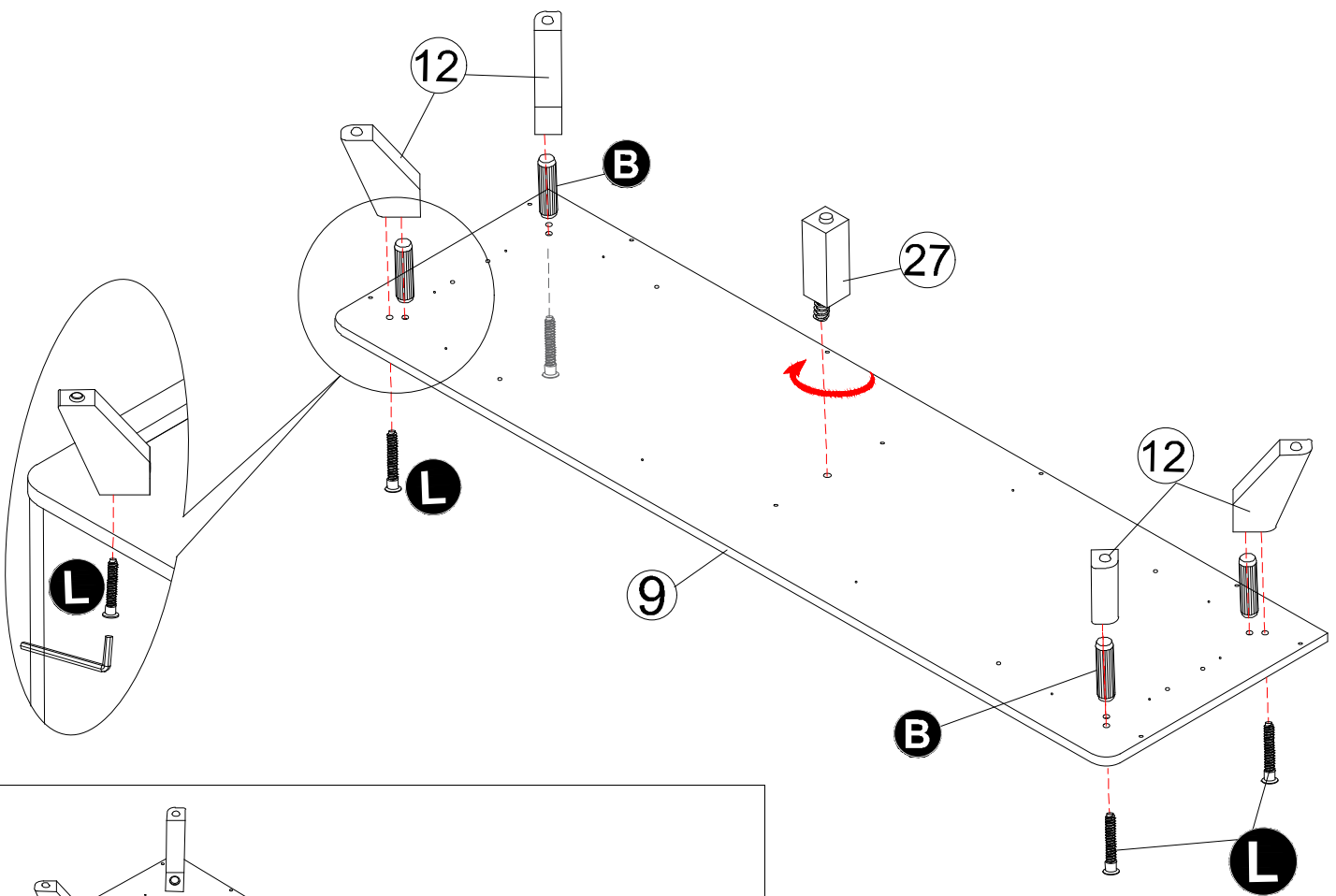
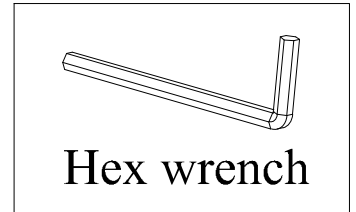
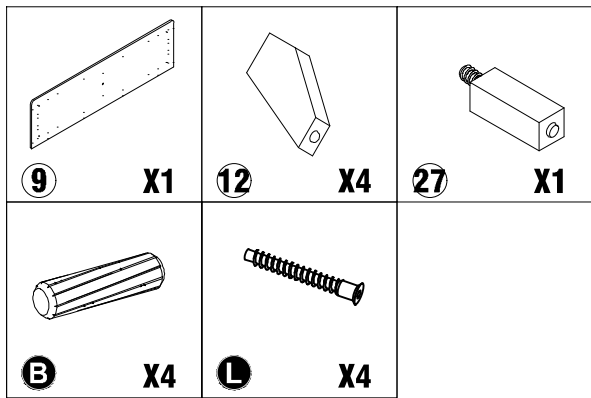


STEP 10 Assemble the top assembly to the cabinet body




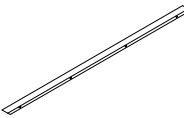


Completed Assembly

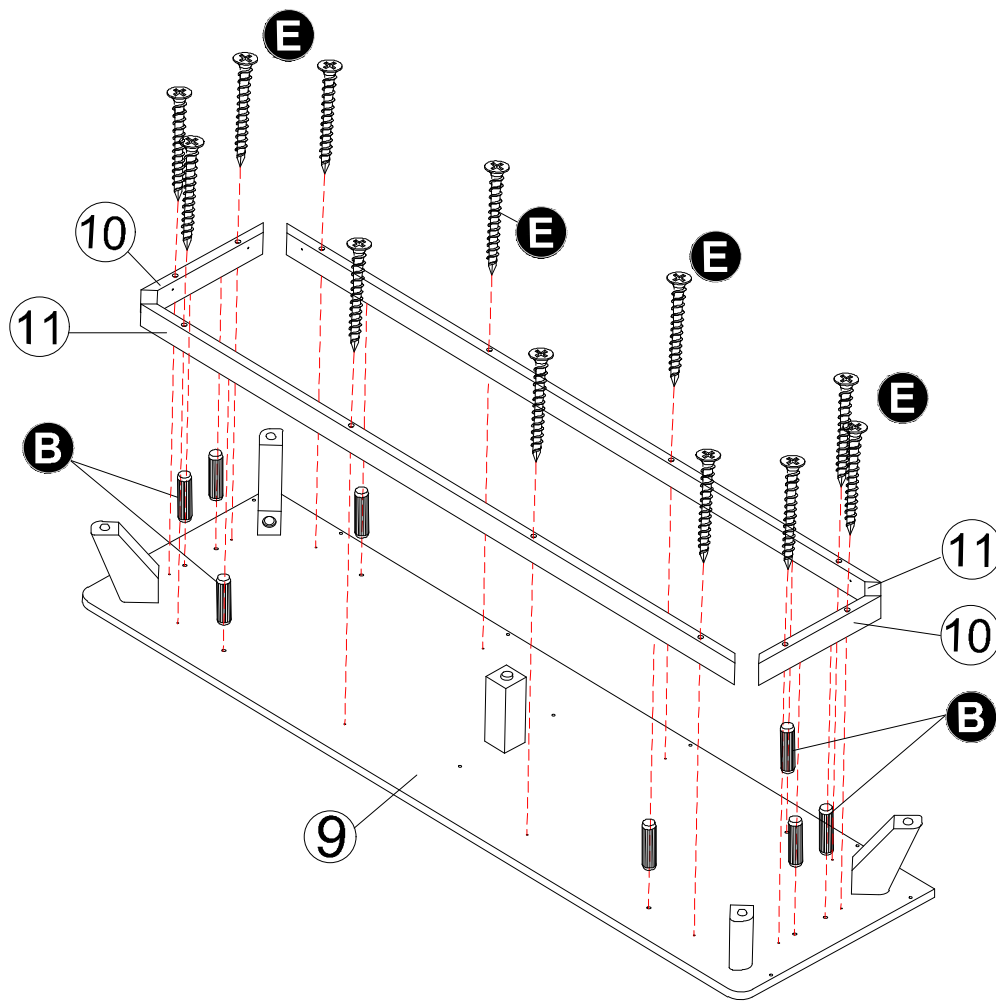
STEP 11 Assemble the bottom panel to the legs



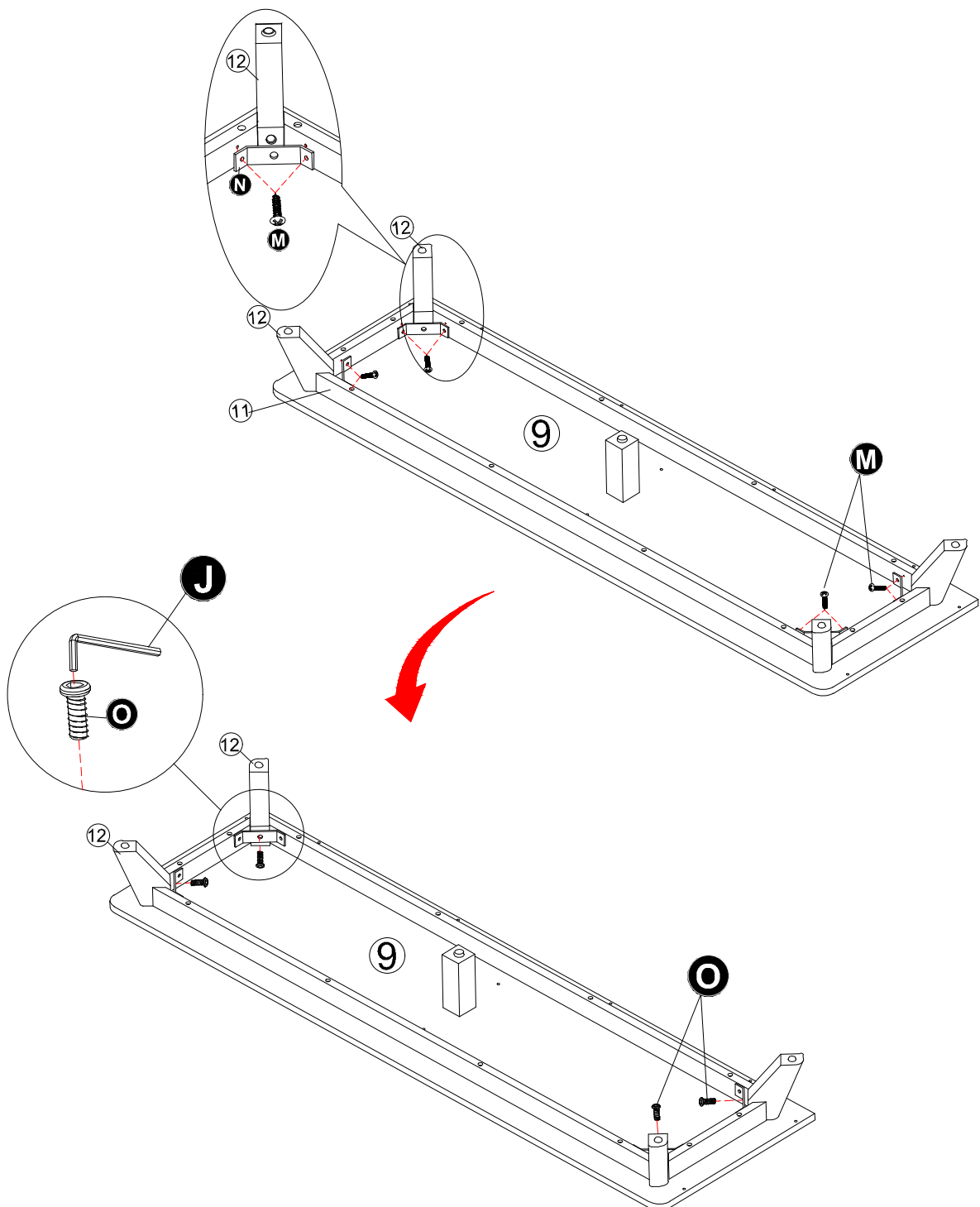
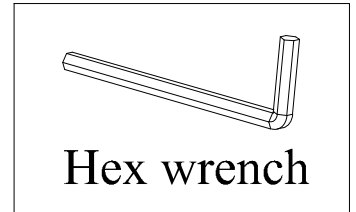
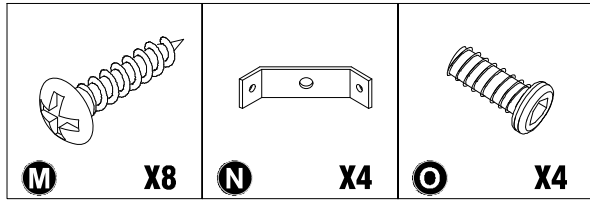
Completed Assembly

STEP 12 Assemble the bottom stretchers

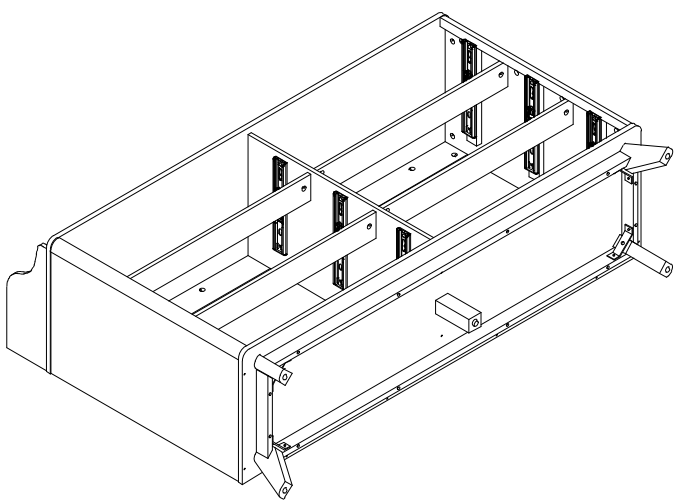
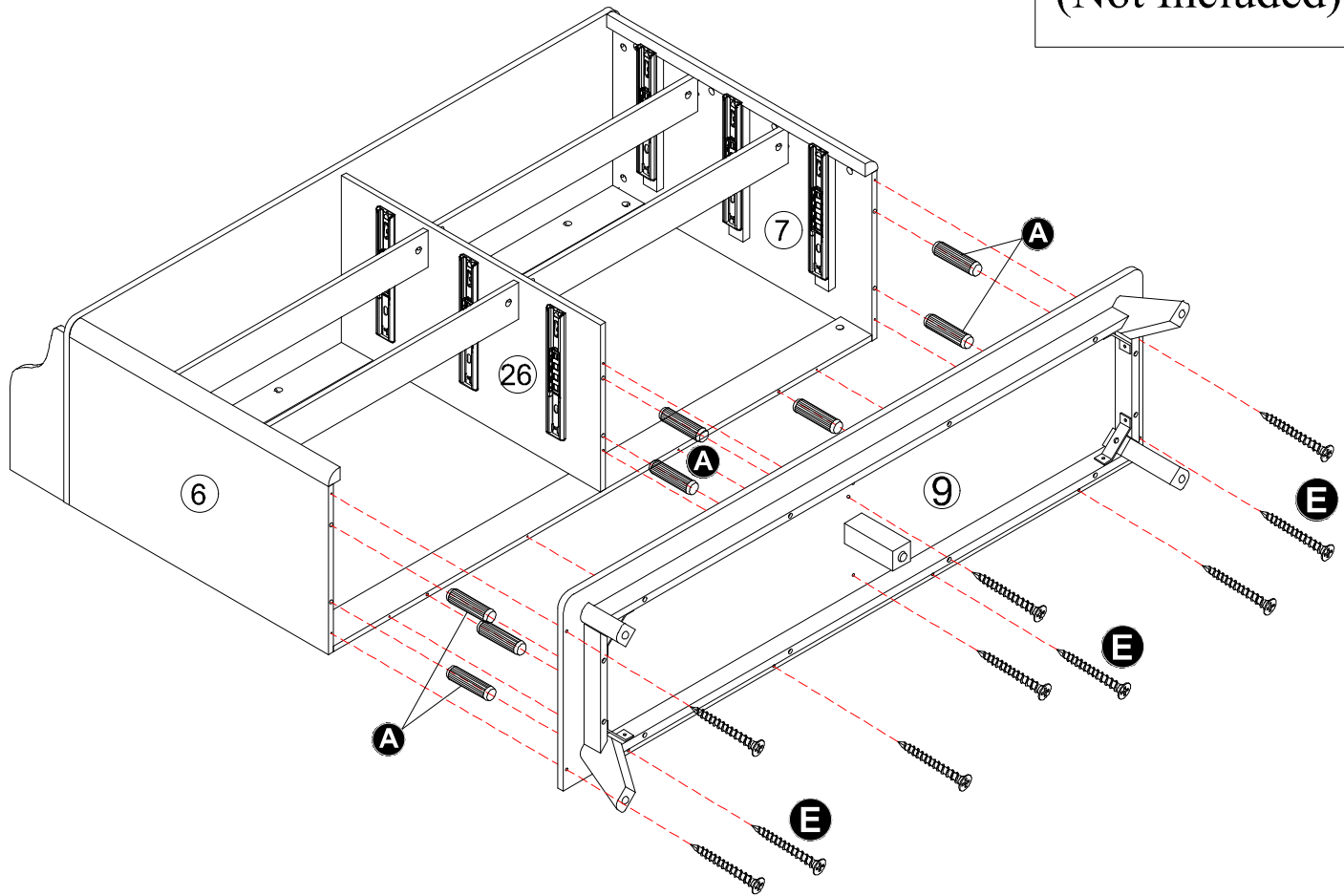
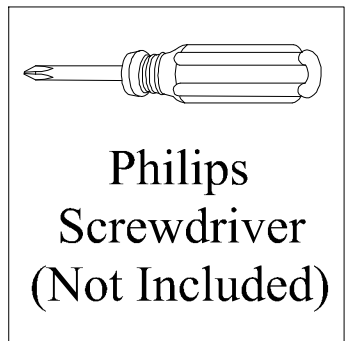
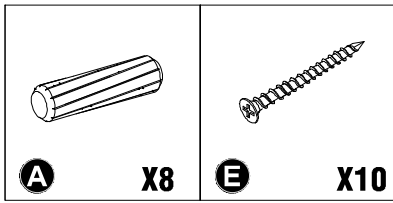
	10 X2		11 X2		B X8		E X12
---	--------------	---	--------------	---	-------------	---	--------------



STEP 13 Assemble the metal brackets, screws, and bolts

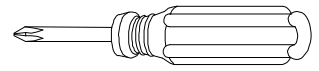
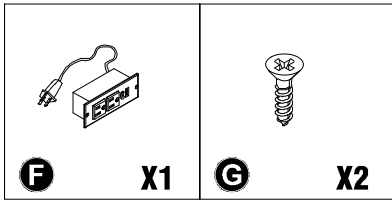


STEP 14 Assemble the cabinet base

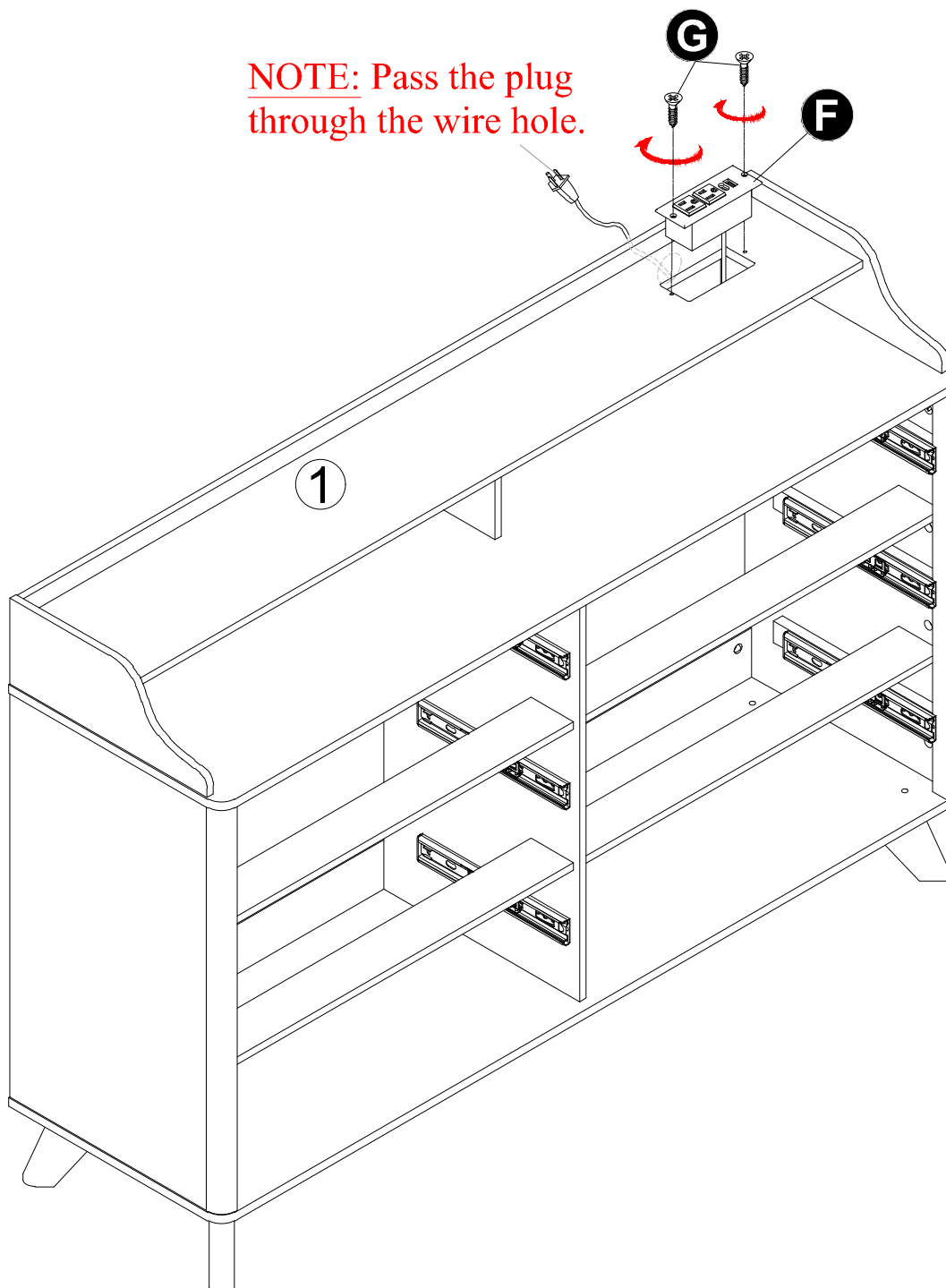


Completed Assembly

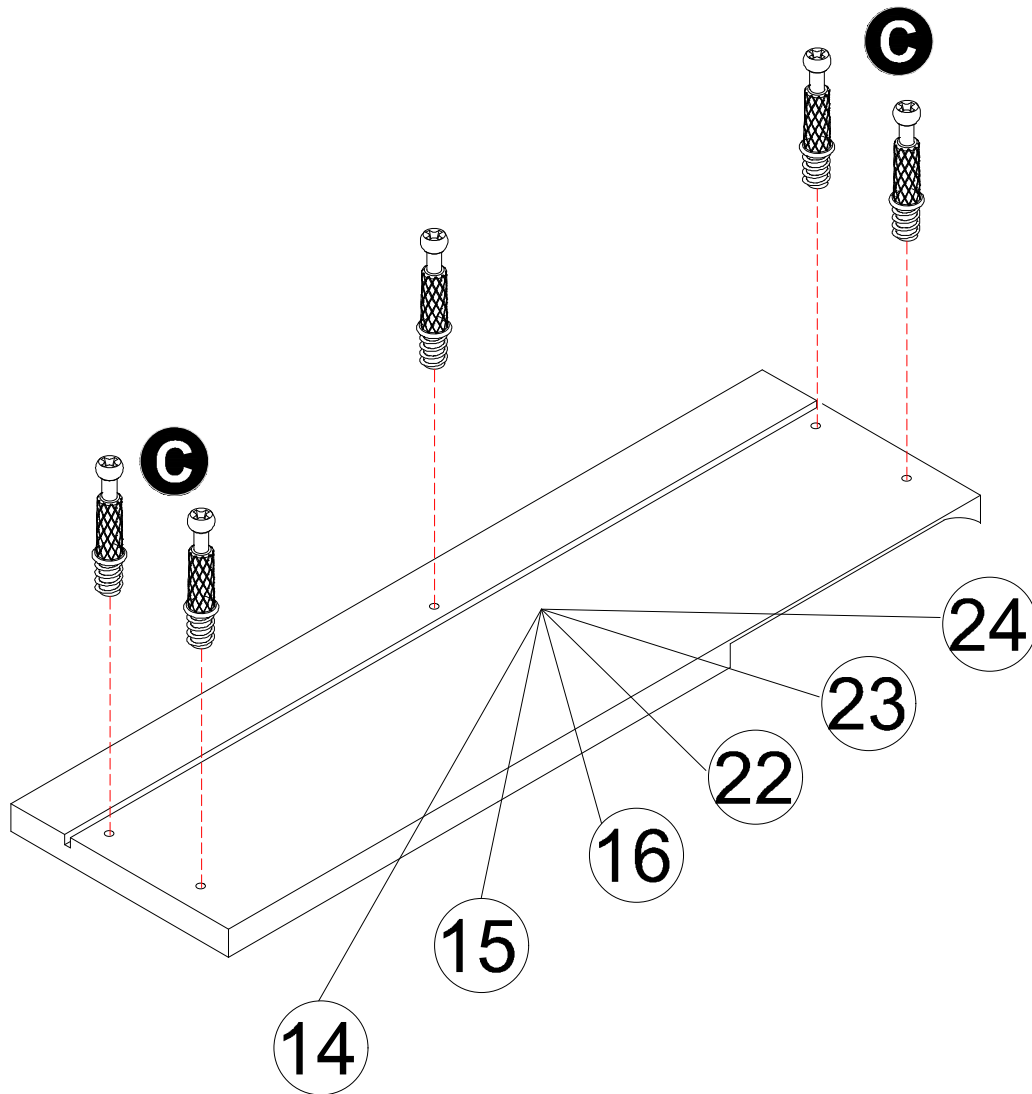
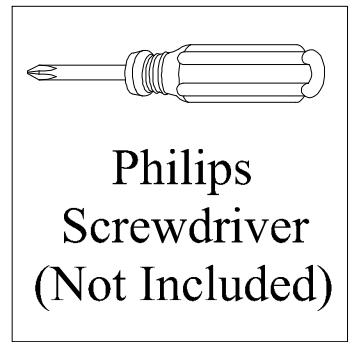
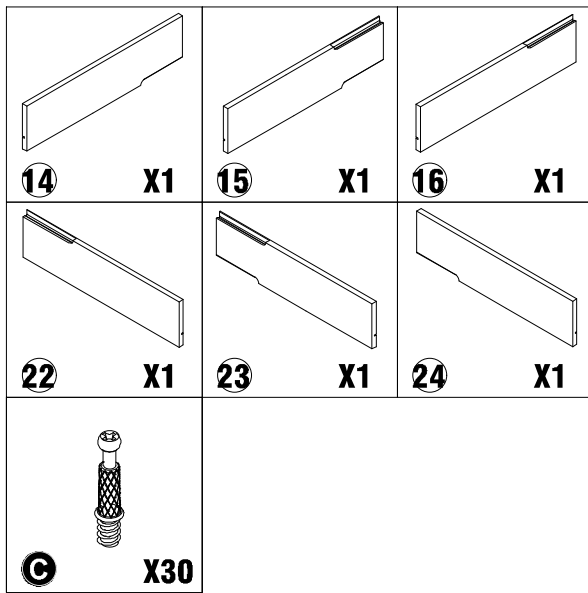
STEP 15 Install the power outlet assembly



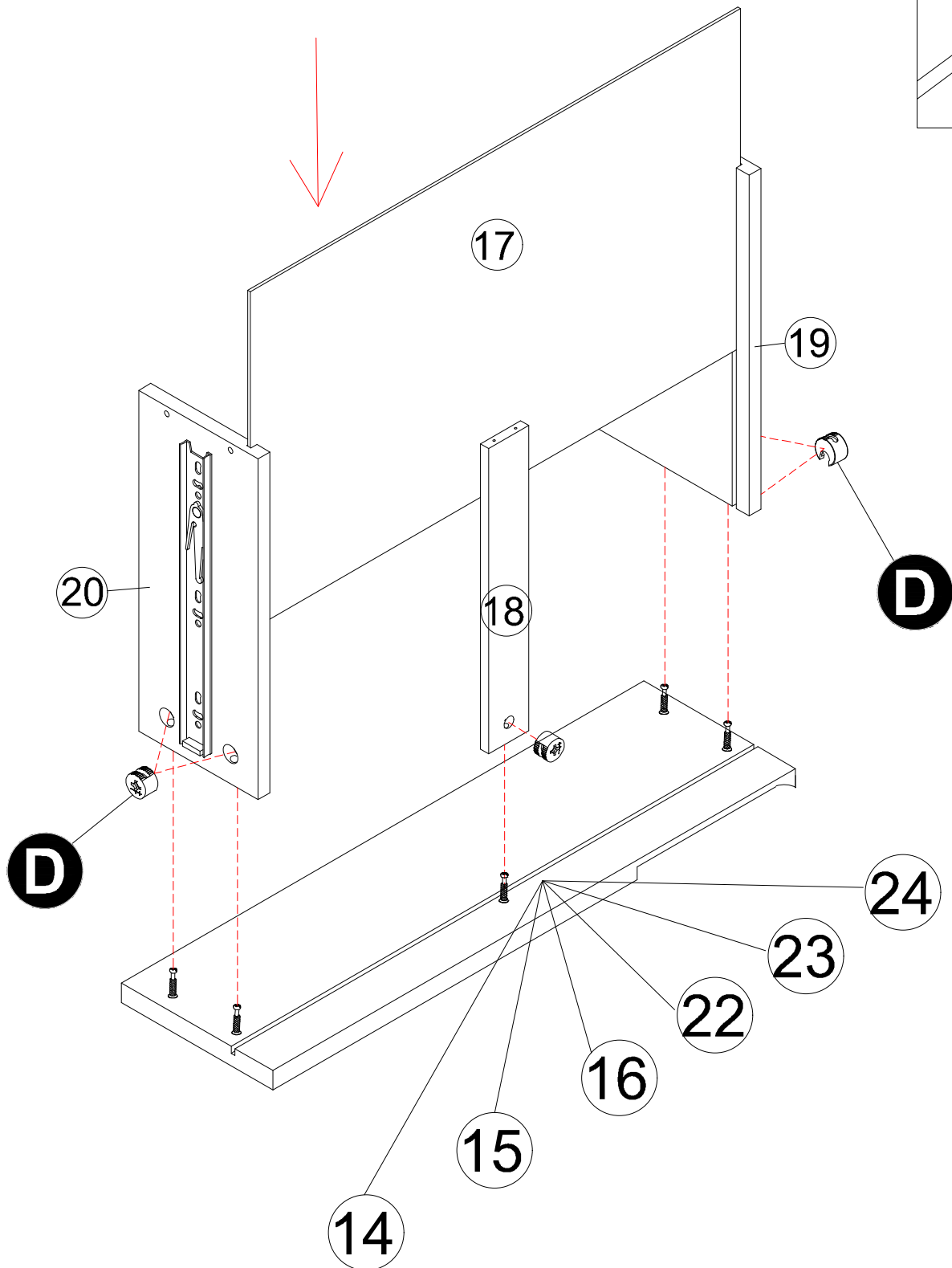
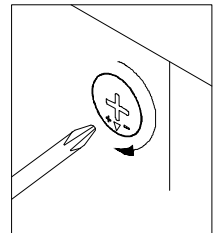
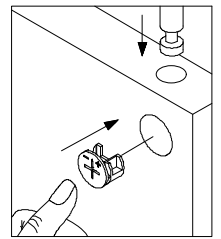
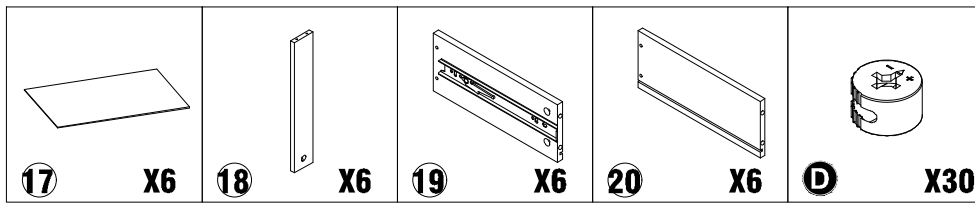
Philips
Screwdriver
(Not Included)



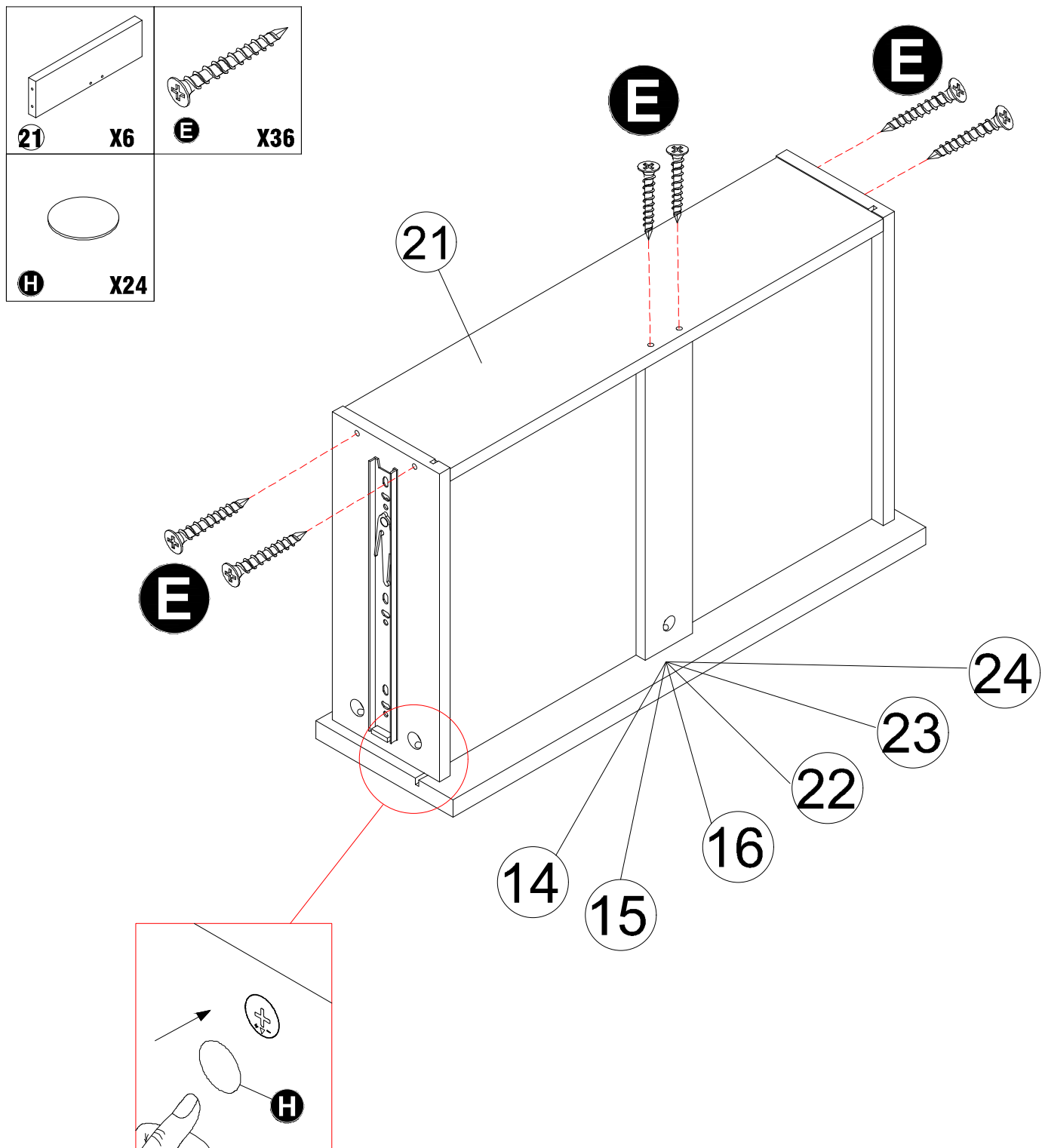
STEP 17 Assemble the drawer components



STEP 18 Assemble the drawer components



STEP 19 Assemble the drawer components



Stick the PVC round label (H) onto the combi cover.

STEP 20 Drawer Installation Steps

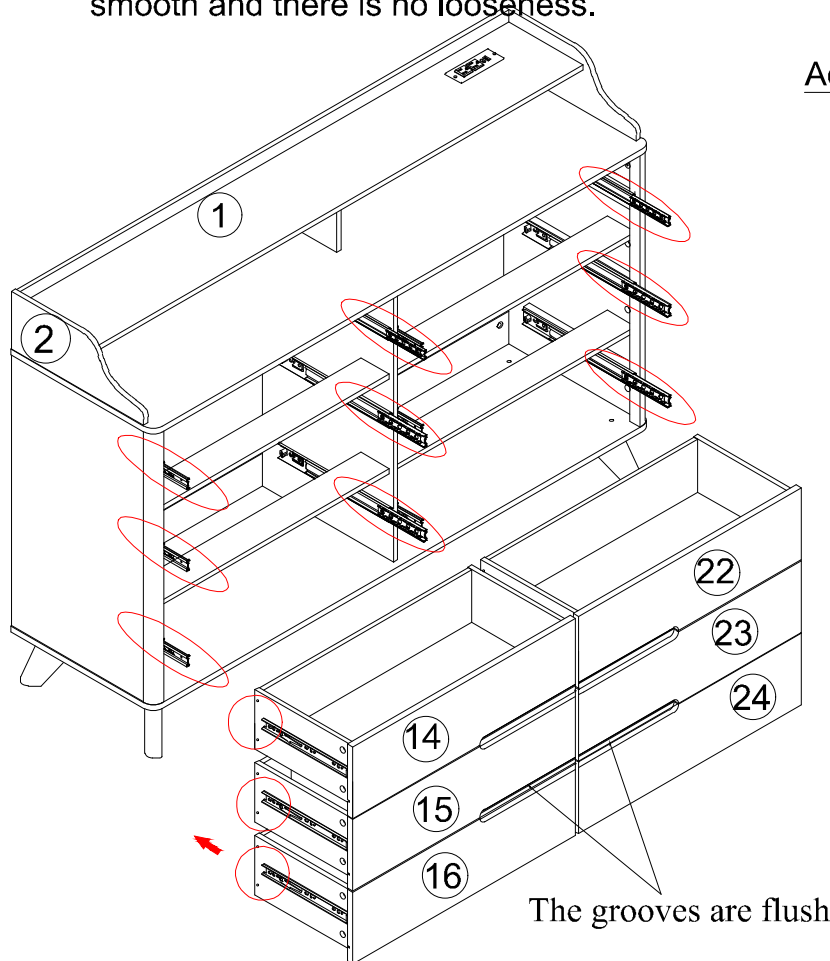
Drawer Installation Steps

Step 1: Pull Out Inner Ball Bearing Slides

1. Locate the inner ball bearing slides on both sides of the drawer (or at the corresponding positions).
2. Grasp the slides and pull out slowly and steadily until they reach the stops (the point where they can no longer be extended).
3. **⚠️Note:** The slide surfaces may be slightly greasy. Handle with care to avoid slippage or soiling clothing/work surfaces.

Step 2: Align & Attach Drawer to Cabinet Slides

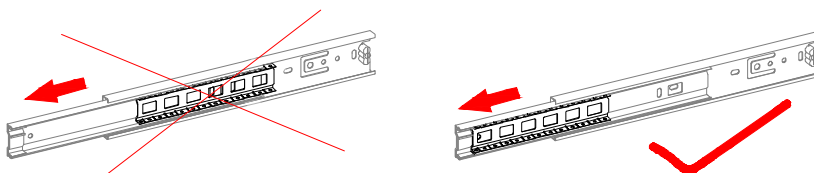
1. Lift the drawer (ensuring its inner ball bearing slides are fully extended to the stops).
2. Align the drawer's inner slides with the corresponding outer slides on the cabinet (or brackets).
3. Following the direction of the arrows (black arrows in the diagram), push the drawer smoothly into the cabinet until it clicks securely into the slides. Ensure movement is smooth and there is no looseness.



Additional Notes

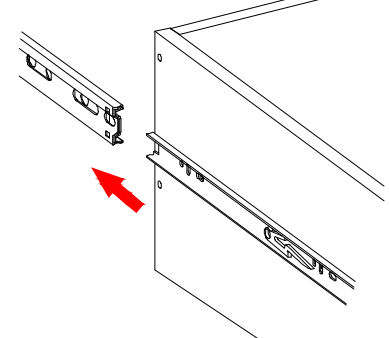
- If resistance is felt while pulling the slides, check for obstructions or misalignment.
- If insertion is difficult, verify that the slides are fully aligned with the stops.
- After installation, gently pull the drawer to confirm smooth sliding and secure locking.

1



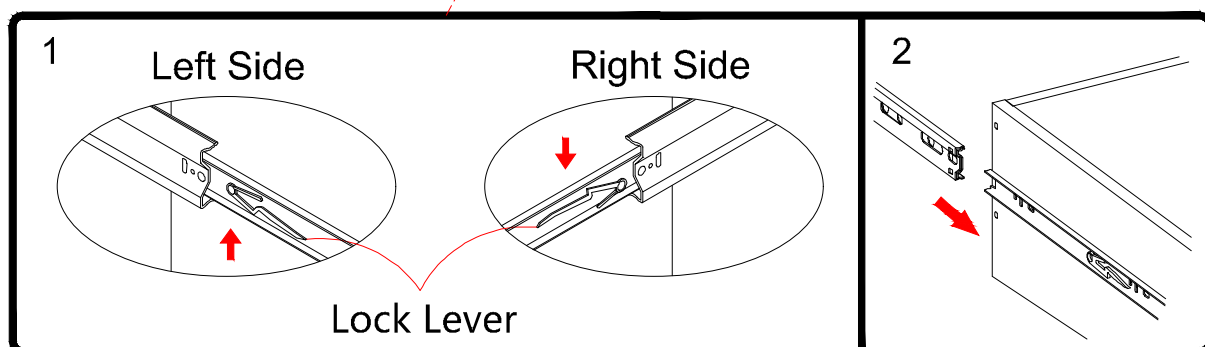
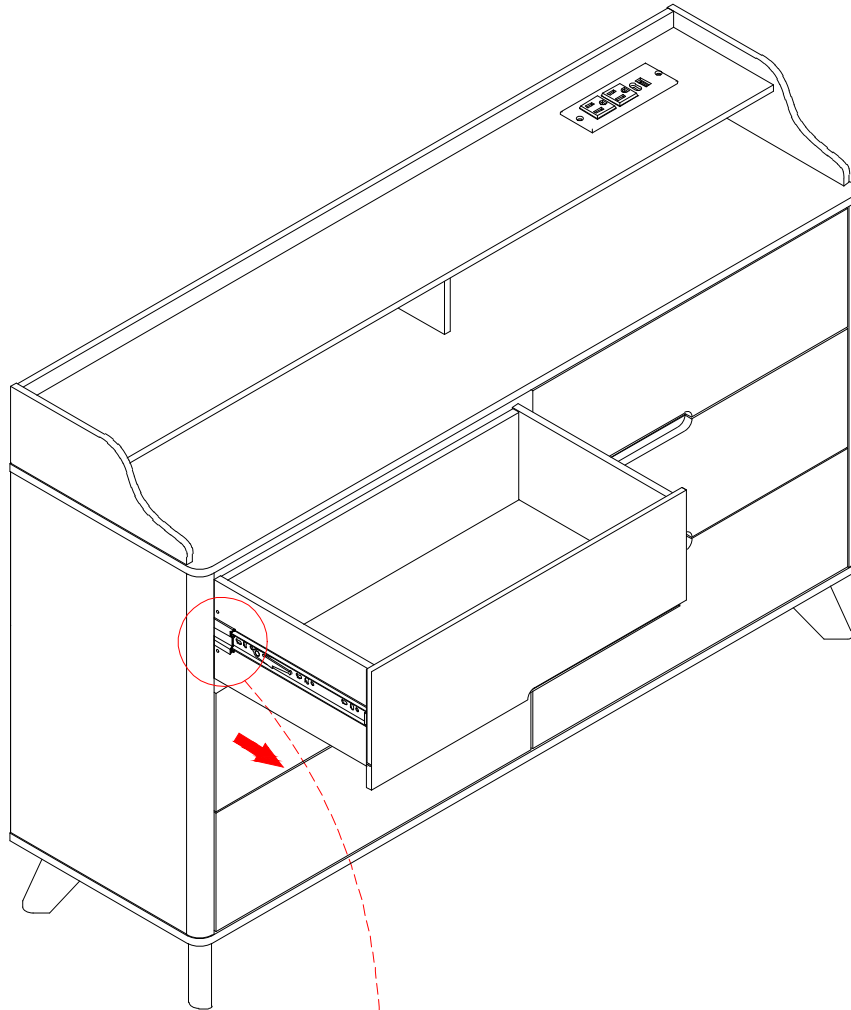
NOTE: Pull the inner ball bearing slides on each side all the way out till it stops.(may be slightly greasy).

2

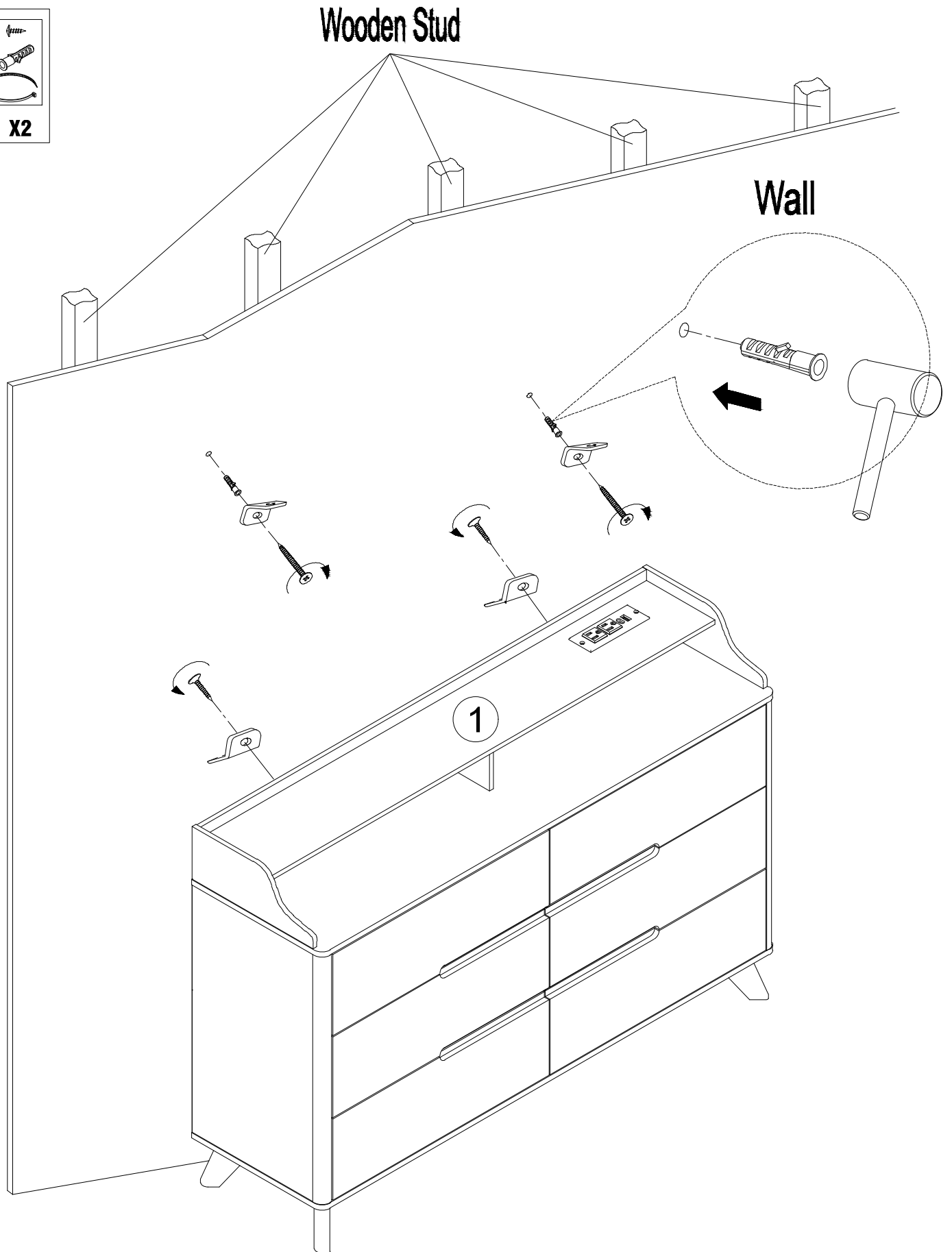
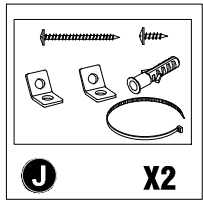


STEP 21 Remove Drawer

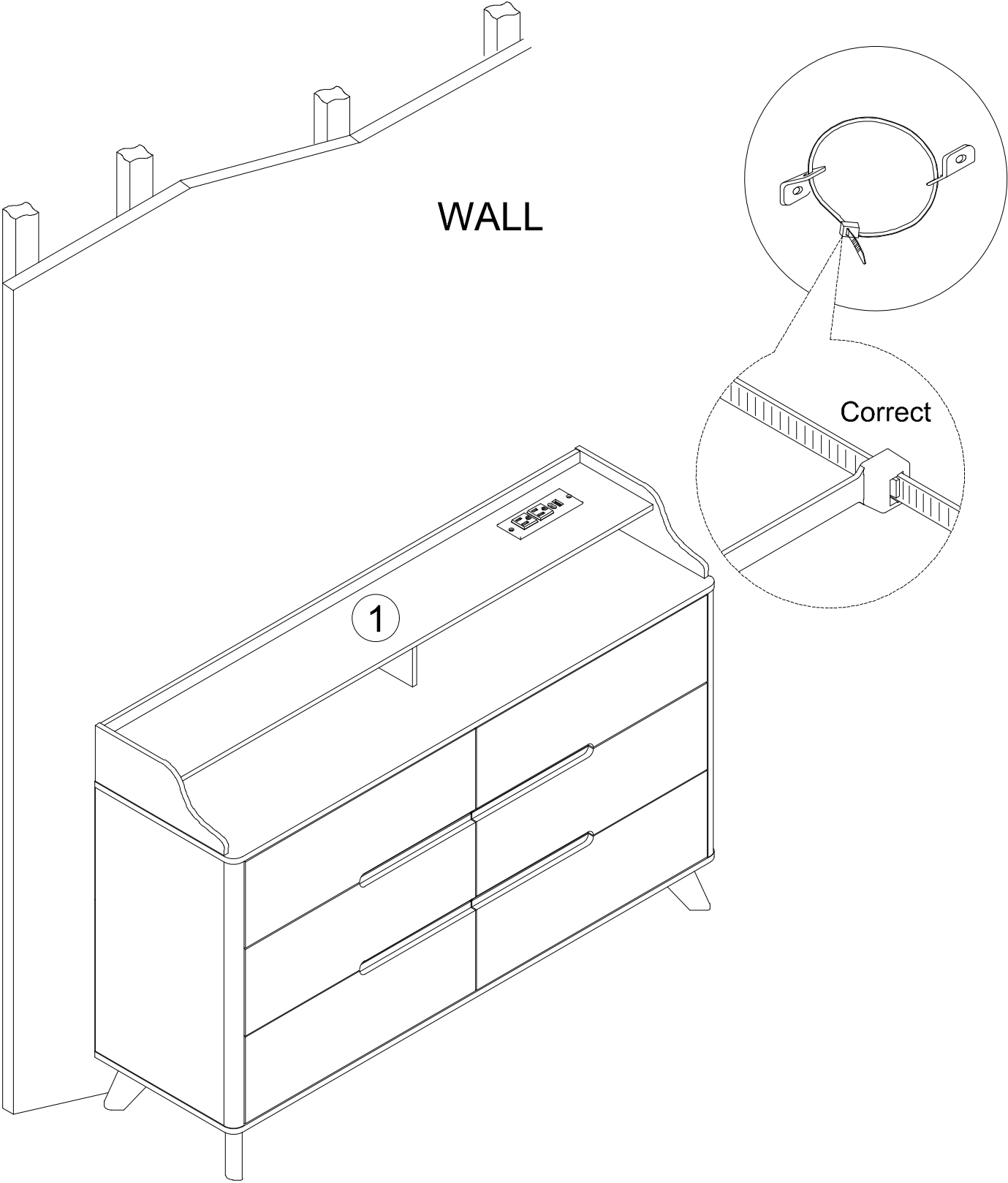
- Pull the drawer fully open so levers are visible.
- Push up on left side lever and down on right side lever.
- Holding levers in place, pull drawer toward you.



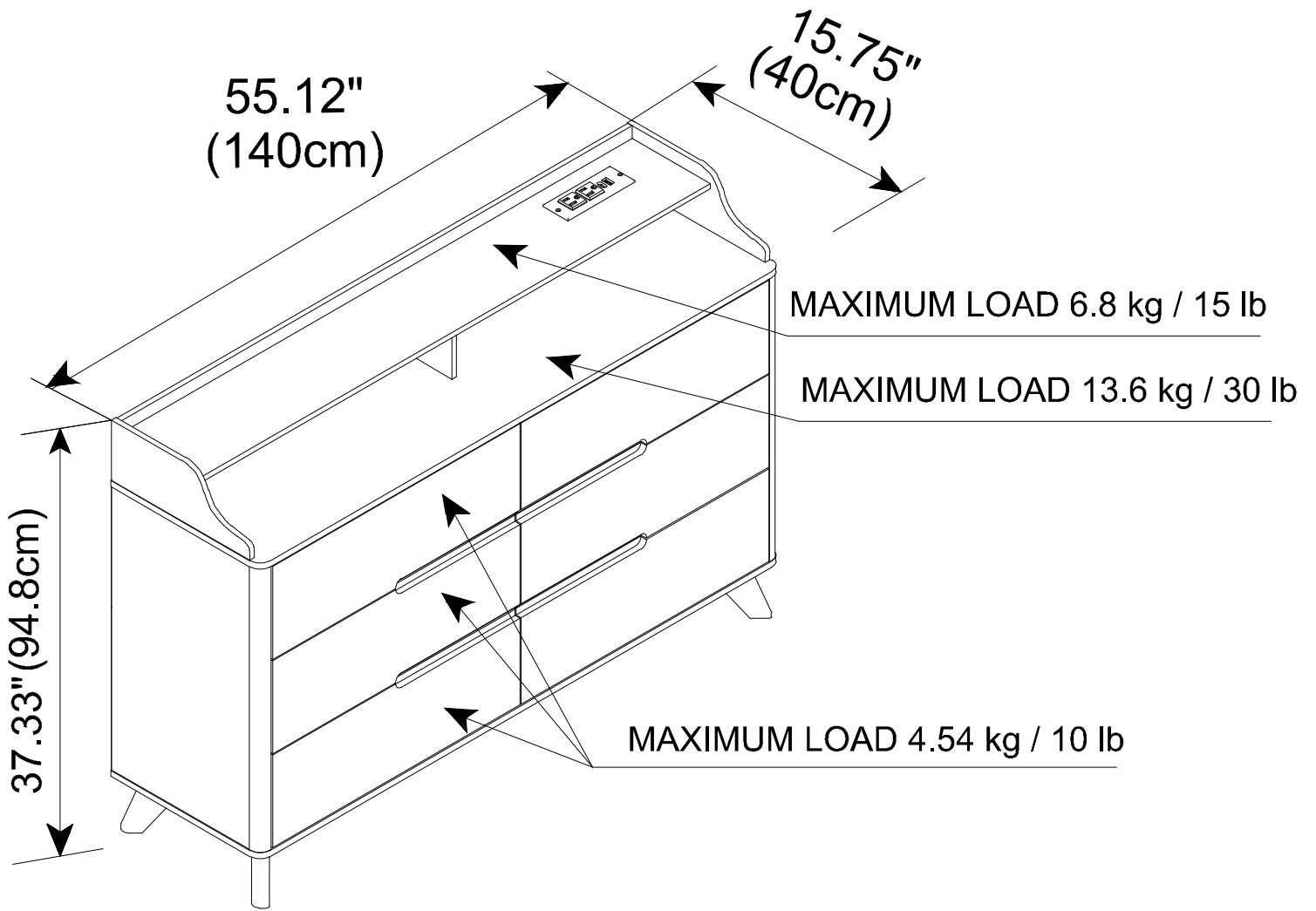
STEP 22 Install the anti-tip hardware to the wall and the back of the cabinet



STEP 23 Connect the anti-tip metal buckles using plastic zip ties



STEP 24 Unit Dimensions



SPECIFICATIONS

ASSEMBLED DIMENSIONS(W x D x H)

55.12" x 15.75 " x37.33"

140 x 40 x 94.8 cm

MAXIMUM WEIGHT CAPACITY

Top: 15 lb