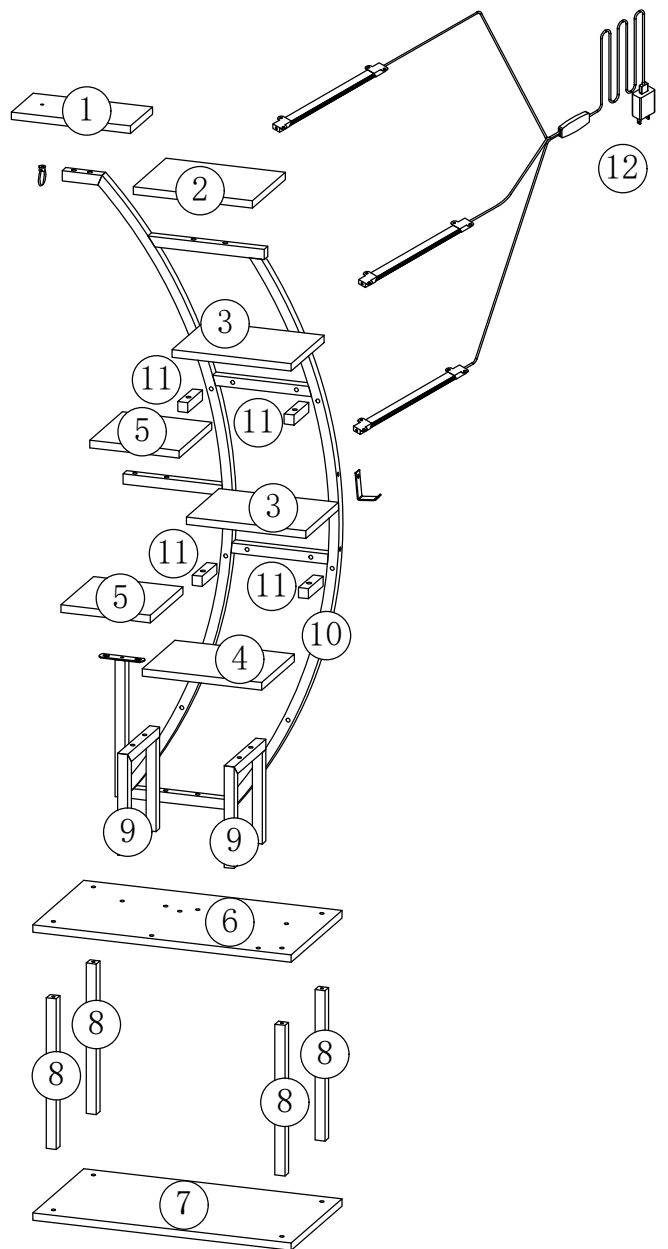
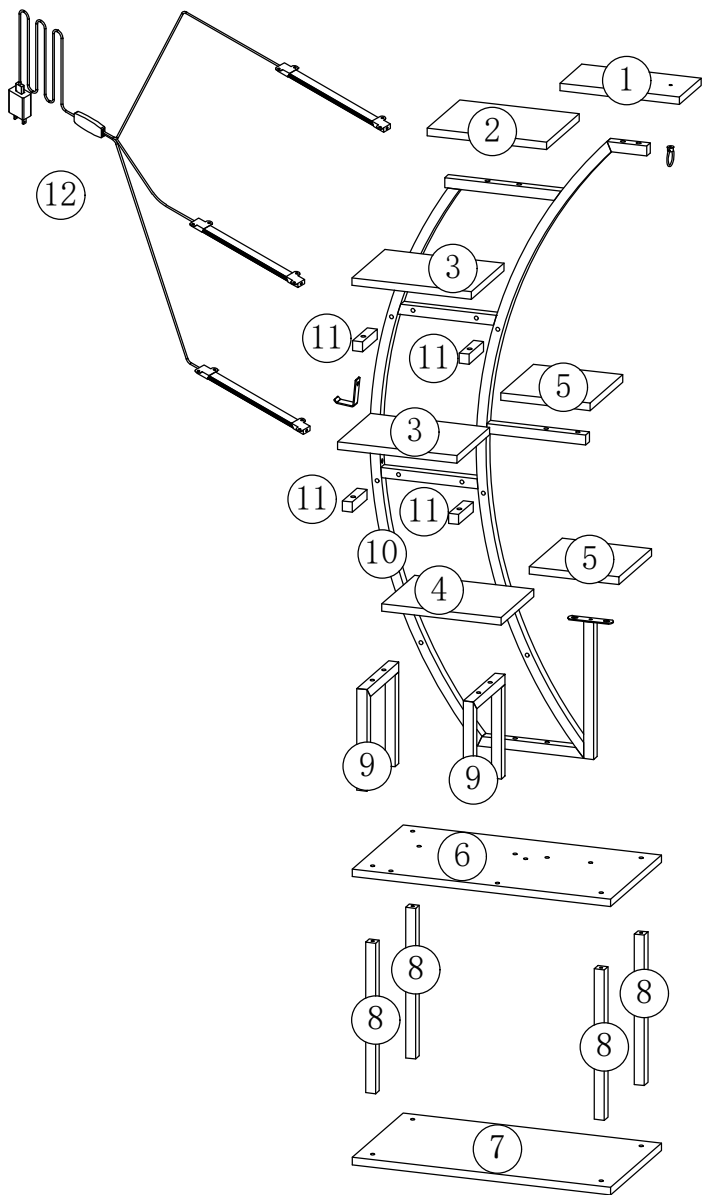

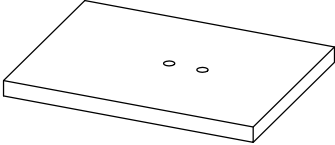
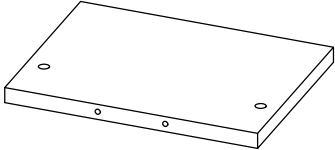
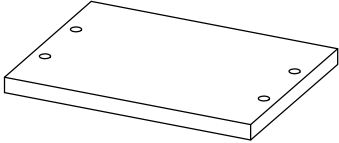
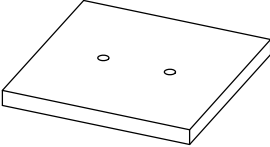
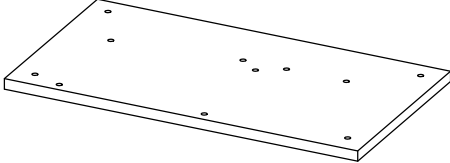
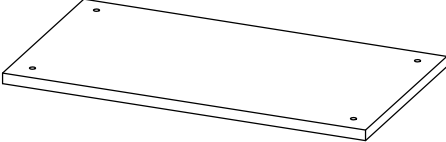

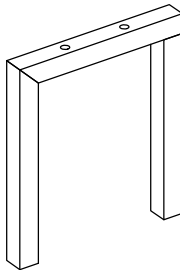
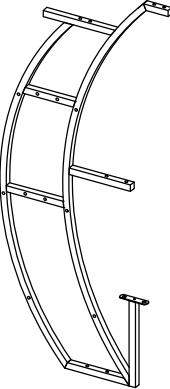
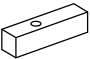
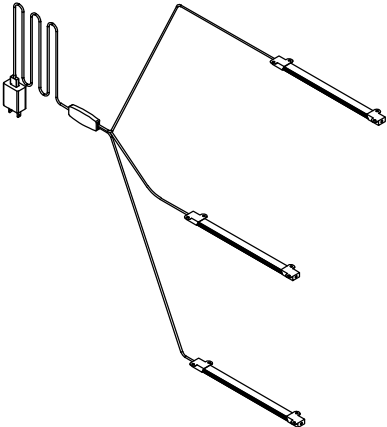


PLANT STAND WITH GROW LIGHT

ASSEMBLY INSTRUCTION














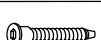


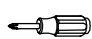


ASSEMBLY INSTRUCTION

<p>①</p>  <p>X2</p>	<p>②</p>  <p>X2</p>	<p>③</p>  <p>X4</p>
<p>④</p>  <p>X2</p>	<p>⑤</p>  <p>X4</p>	<p>⑥</p>  <p>X2</p>
<p>⑦</p>  <p>X2</p>	<p>⑧</p>  <p>X8</p>	<p>⑨</p>  <p>X4</p>
<p>⑩</p>  <p>X2</p>	<p>⑪</p>  <p>X8</p>	<p>⑫</p>  <p>X2</p>

ASSEMBLY INSTRUCTION

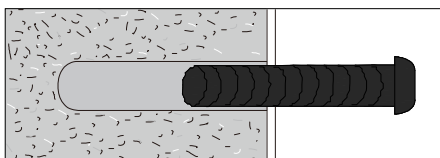
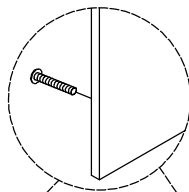
Tool sheet

No.	PICTURE	SIZE	QTY	No.	PICTURE	SIZE	QTY
A	 	M6*10	6	F	  	M4*18	2
B		M6*30	28+1	G		M6	4
C		M6*35	26+1	H			2
D		M6*45	16+1	K	 X2  X2  X2		1
E		ST7*40	8		 4#  		1

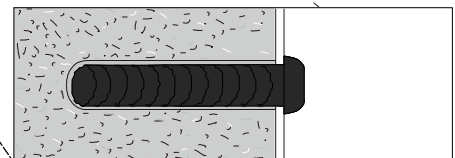
Matters needing attention

- (1) When installing the screws in the installation step, the screws do not need to be tightened. After this installation step is confirmed and the holes are aligned, then tighten all the screws.
- (2) If the screws are tightened during the installation process, it will cause problems such as misalignment of the screw holes and misalignment of the board in subsequent installations.

example



Do not tighten the screws

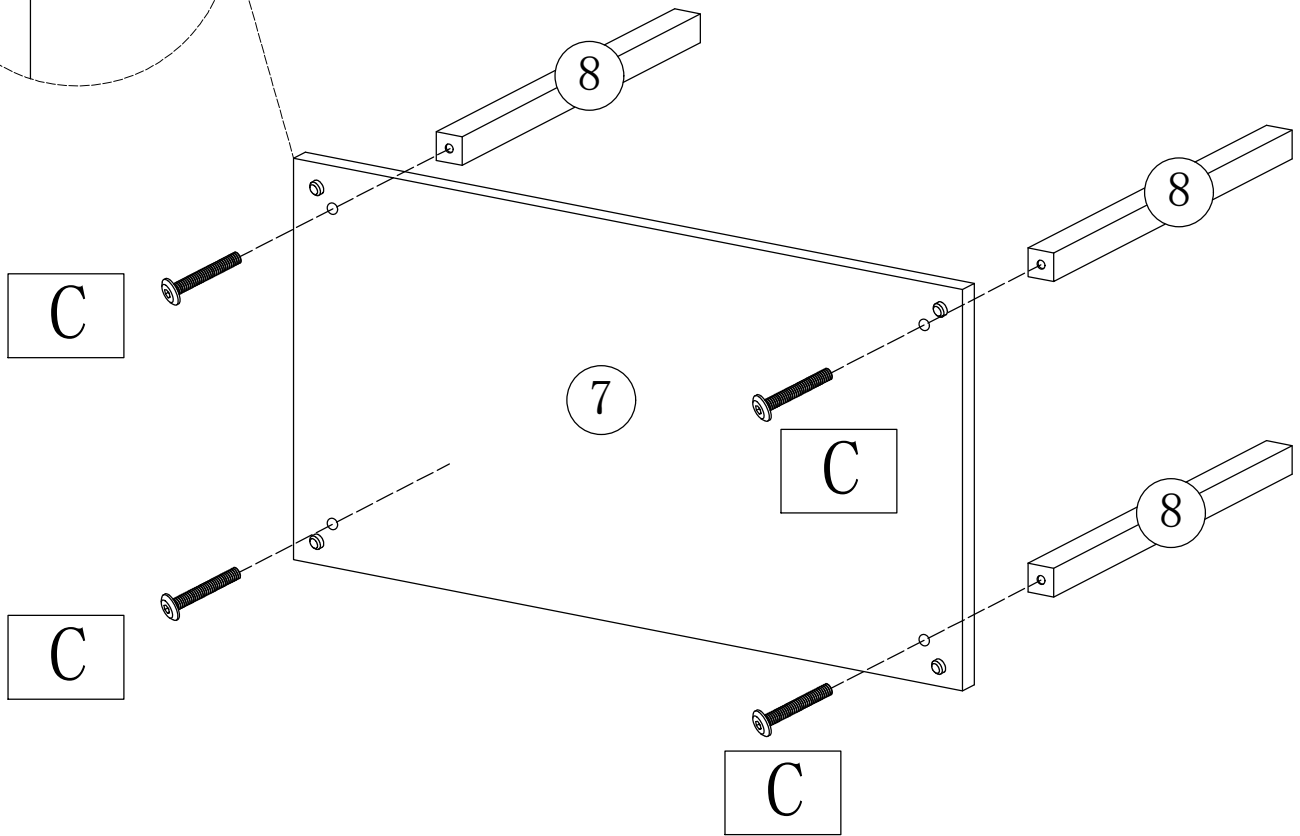
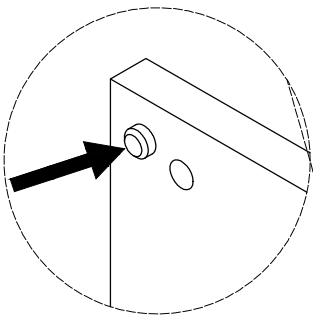


Screw down

ASSEMBLY INSTRUCTION

STEP 1

Foot nail



X2

C M6*35mm

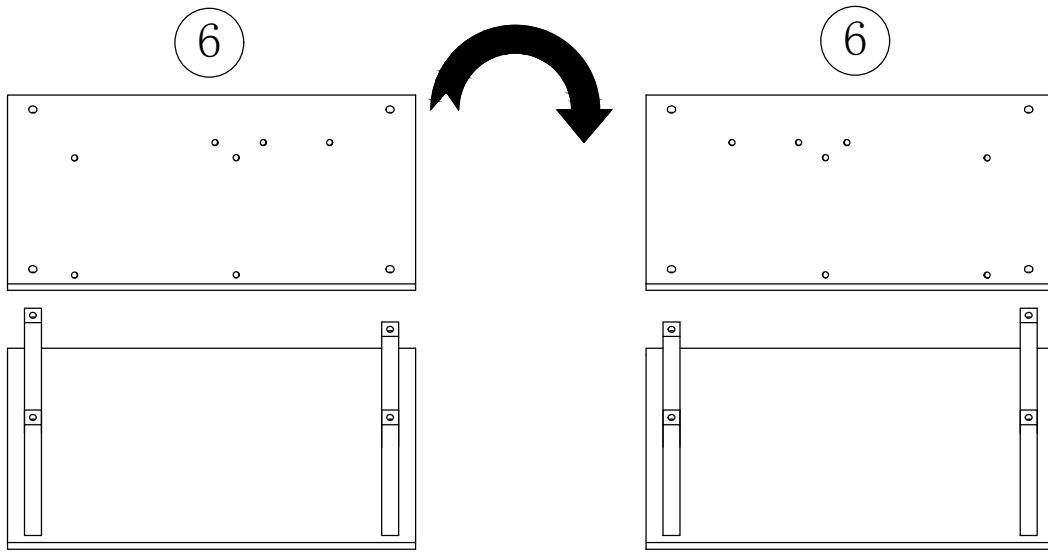


X8

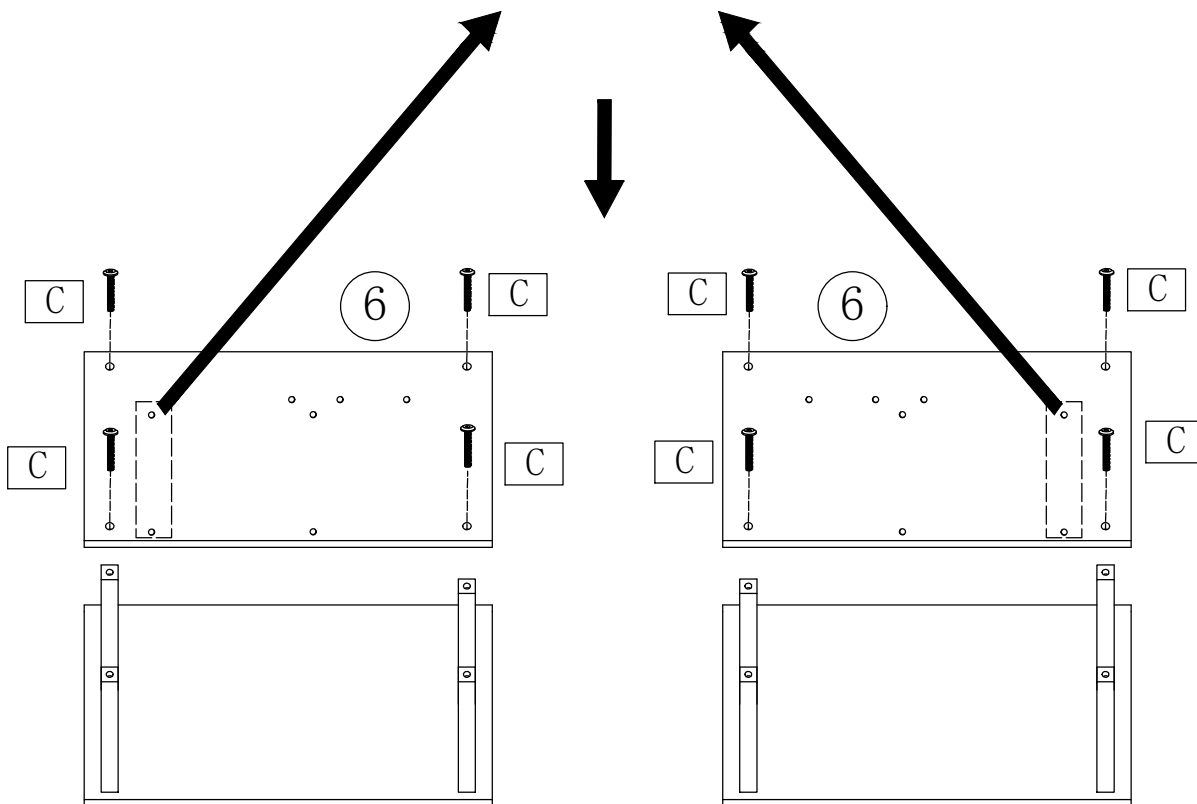
ASSEMBLY INSTRUCTION

STEP 2

Please note that the left and right wooden boards can be interchanged, just flip the 6th board over.



Note the direction of the hole in Board No. 6. The Hole in the left picture represents the left side, and the hole in the right picture represents the right side when the board No. 6 is reversed.



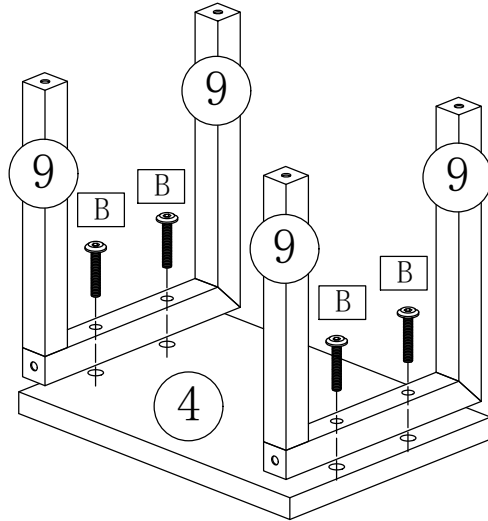
C M6*35mm



X8

ASSEMBLY INSTRUCTION

STEP 3



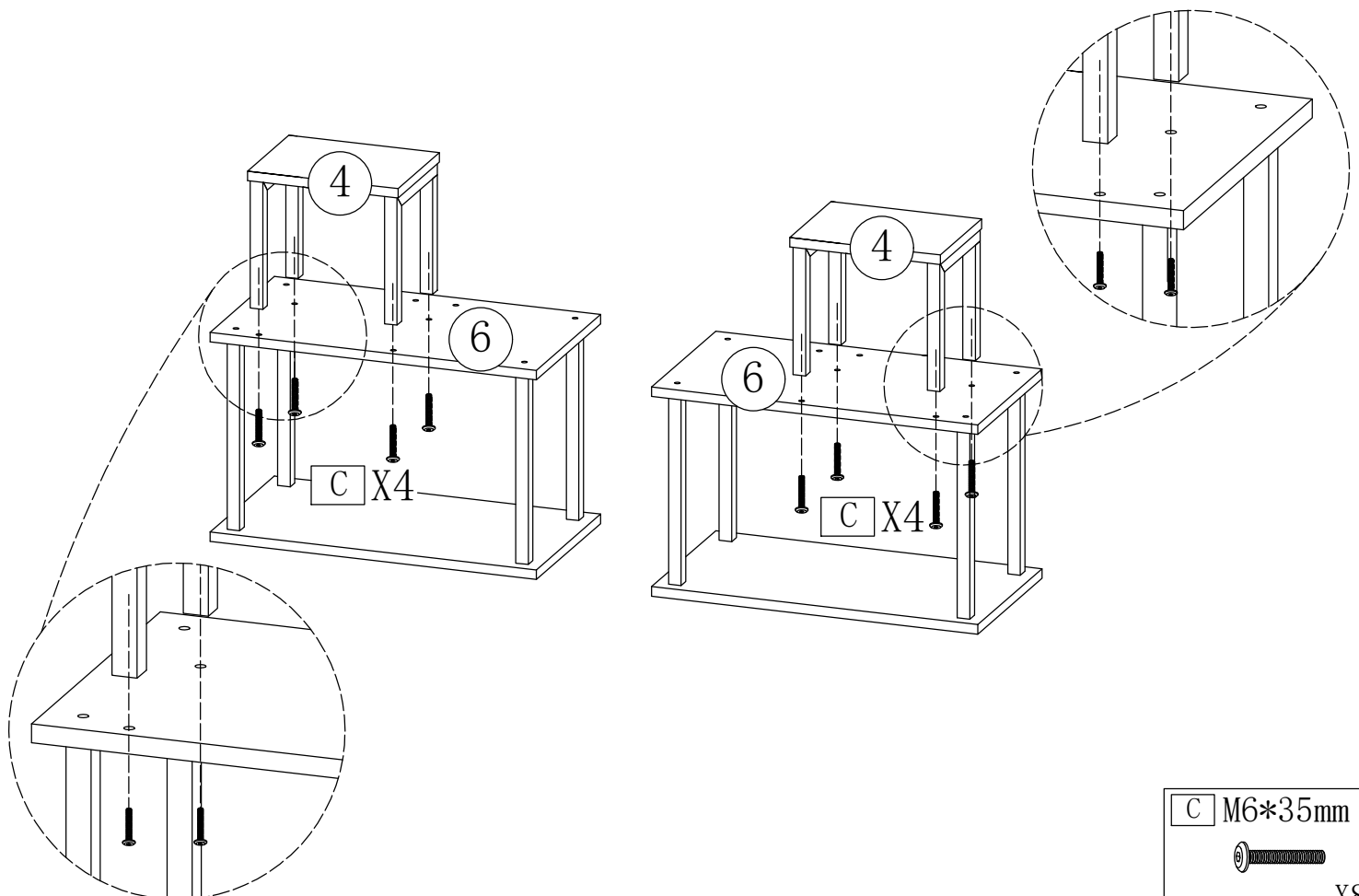
X2

B M6*30mm



X8

STEP 4



C M6*35mm



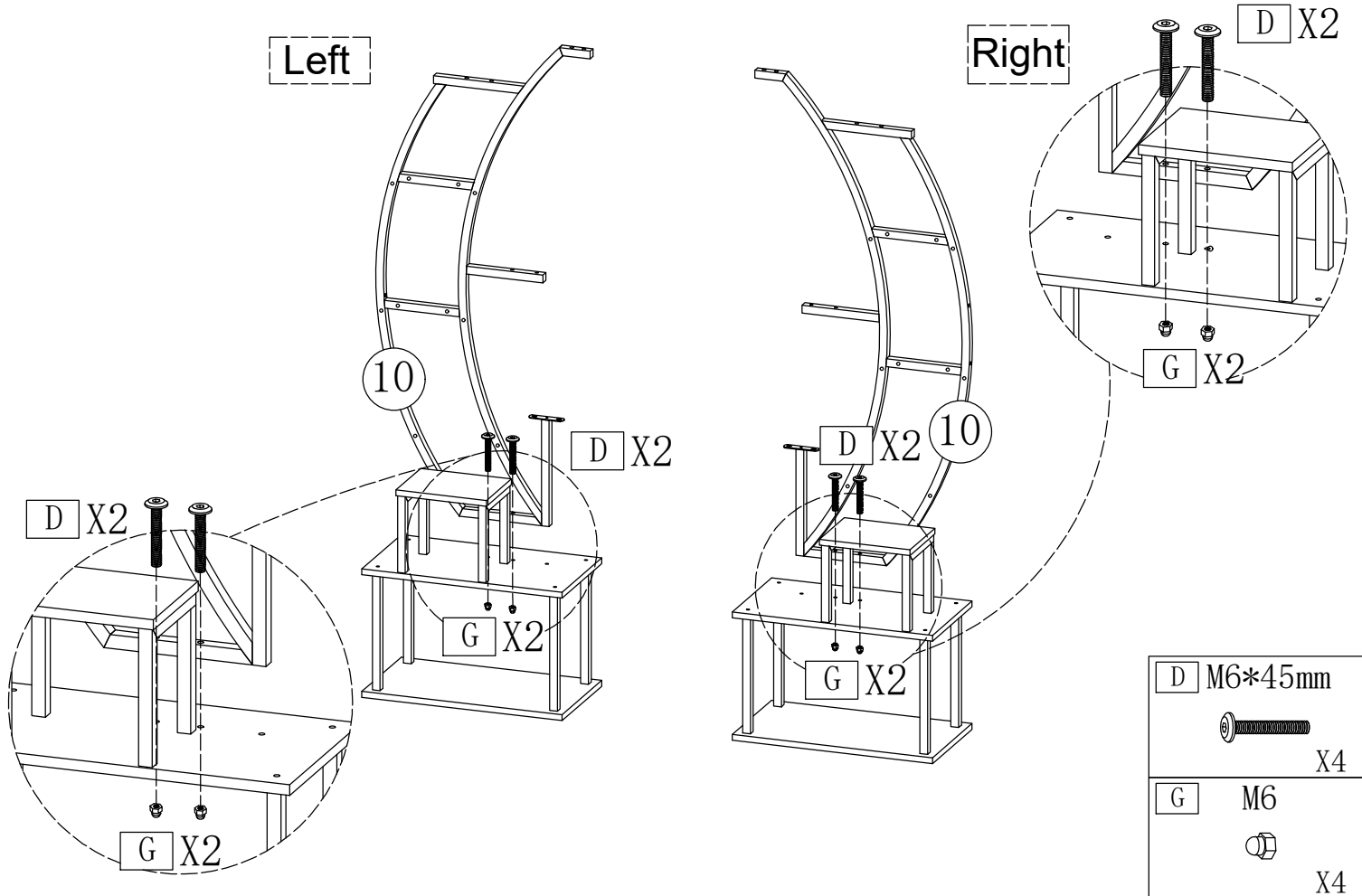
X8

ASSEMBLY INSTRUCTION

STEP 5

Left

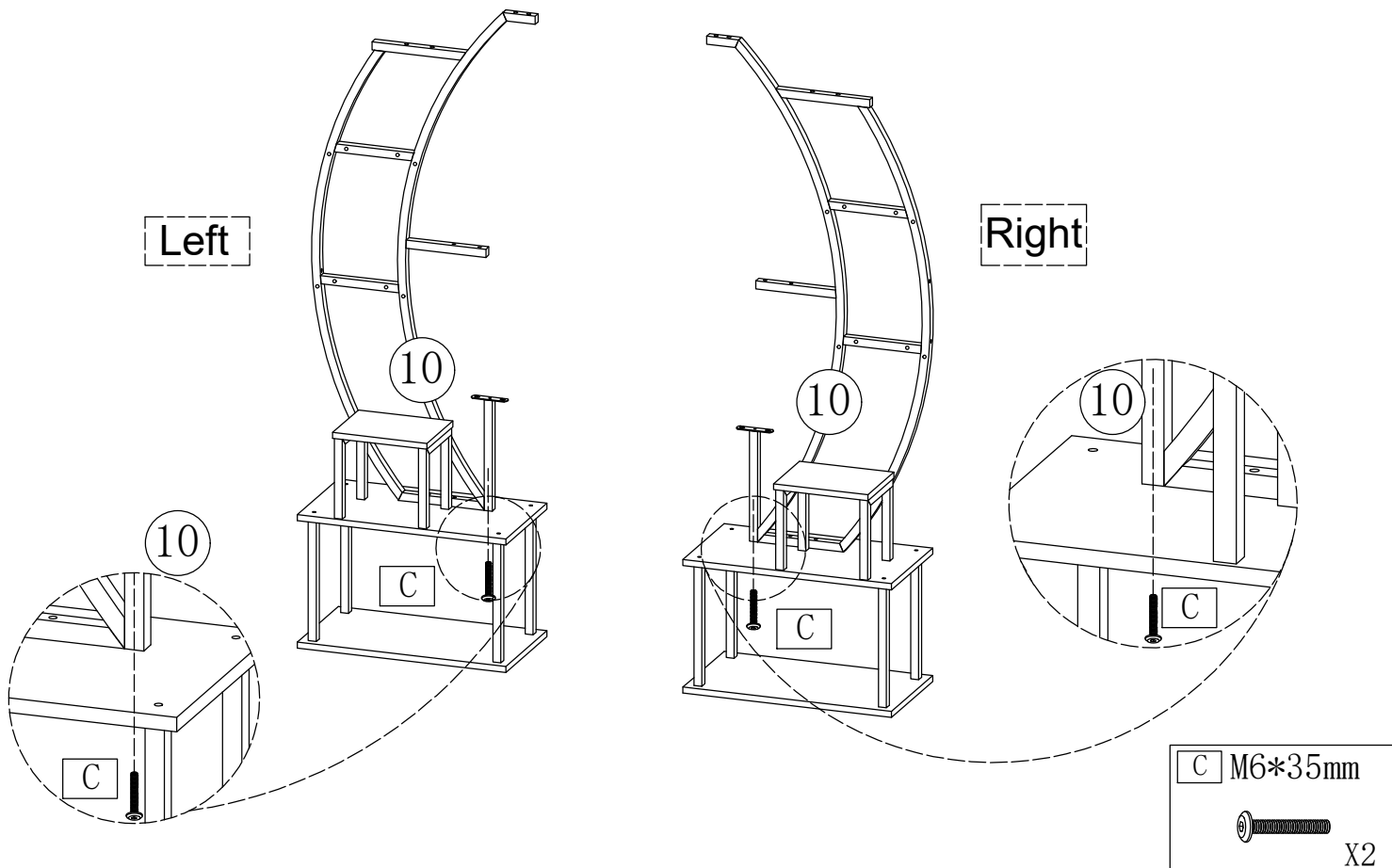
Right



STEP 6

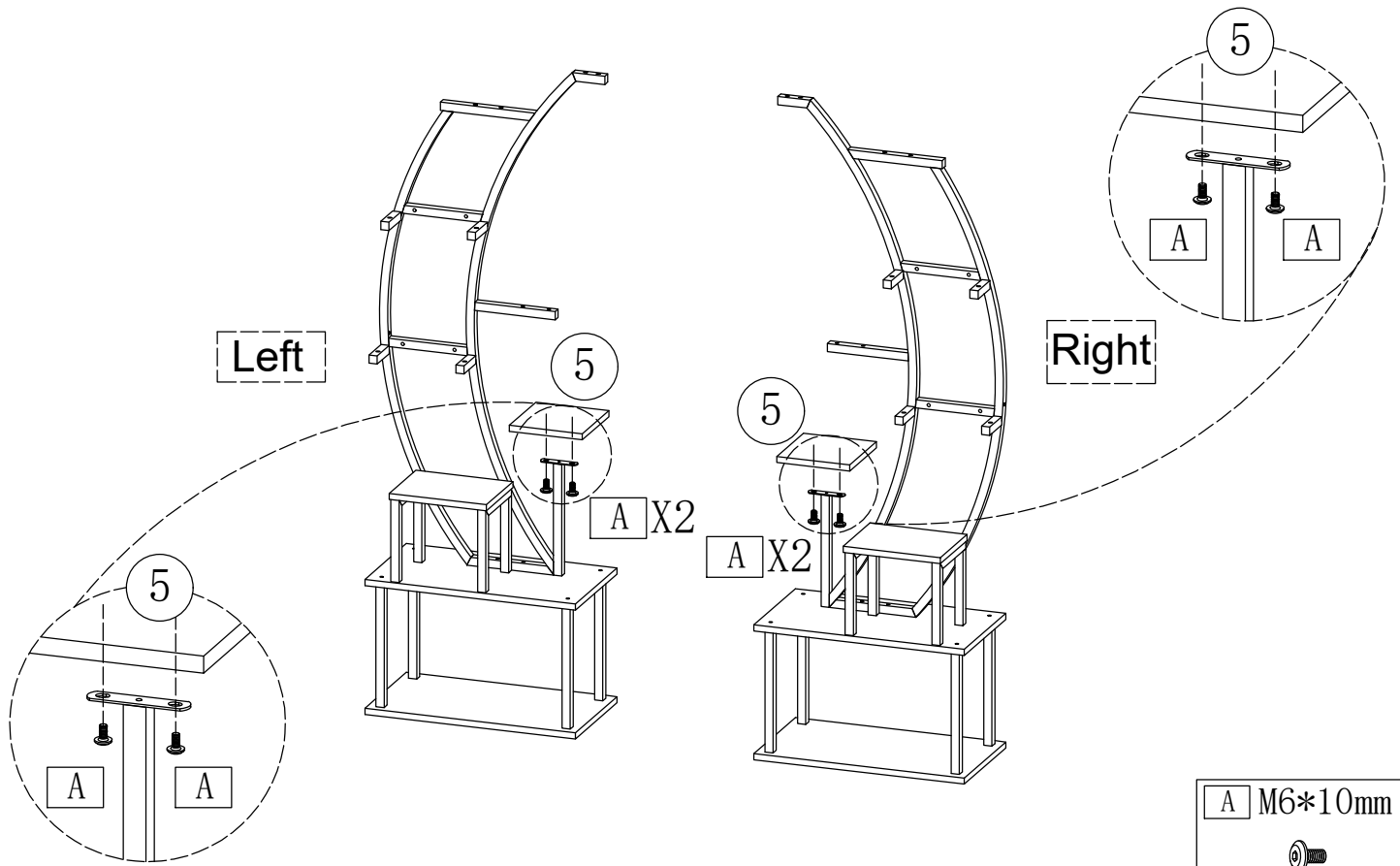
Left

Right

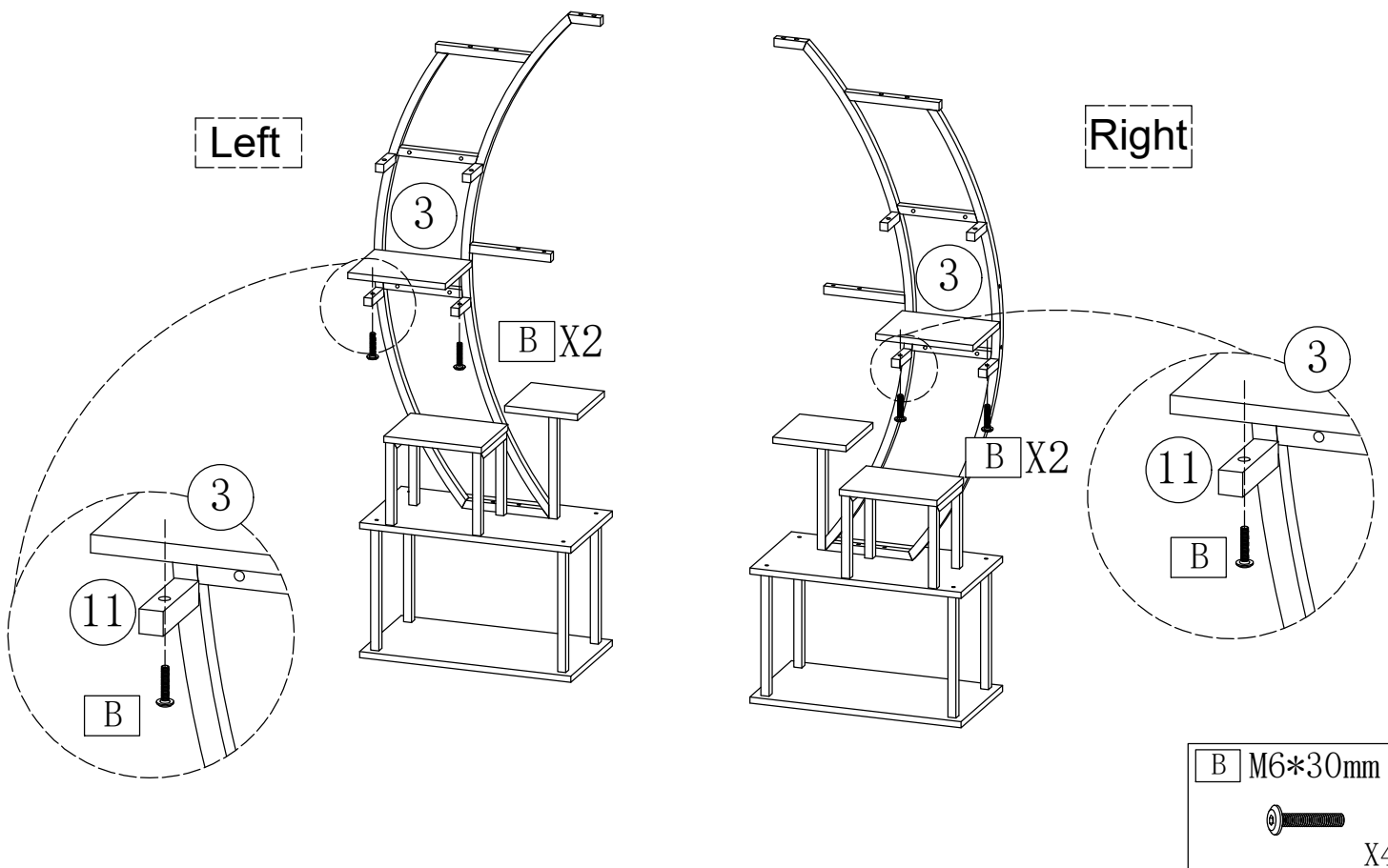


ASSEMBLY INSTRUCTION

STEP 9



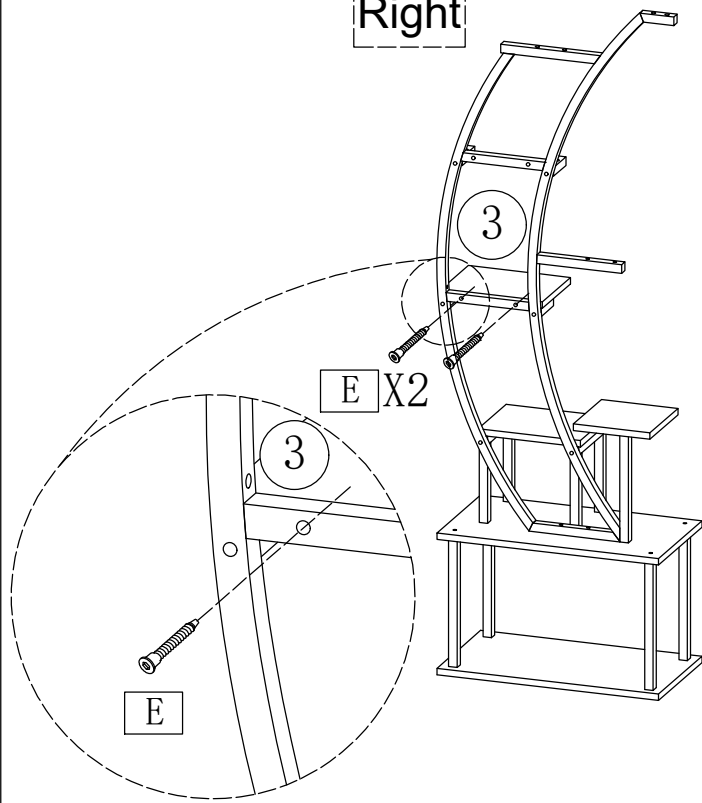
STEP 10



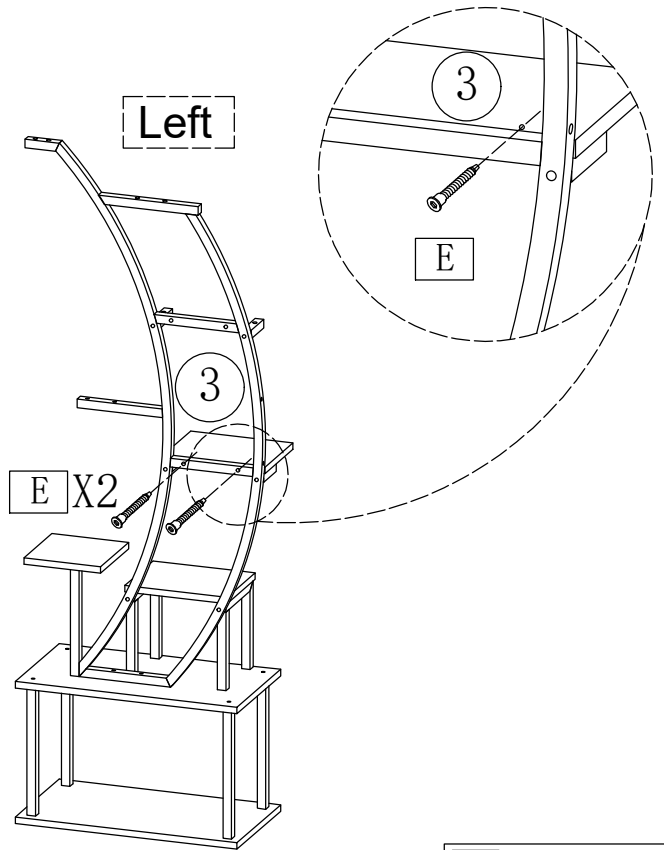
ASSEMBLY INSTRUCTION

STEP 11

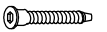
Right



Left



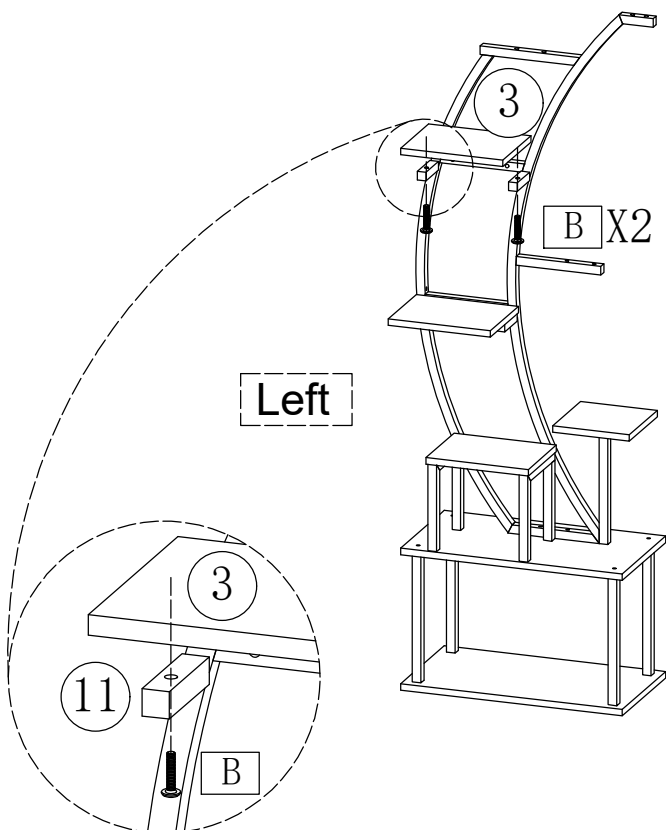
E ST7*40mm



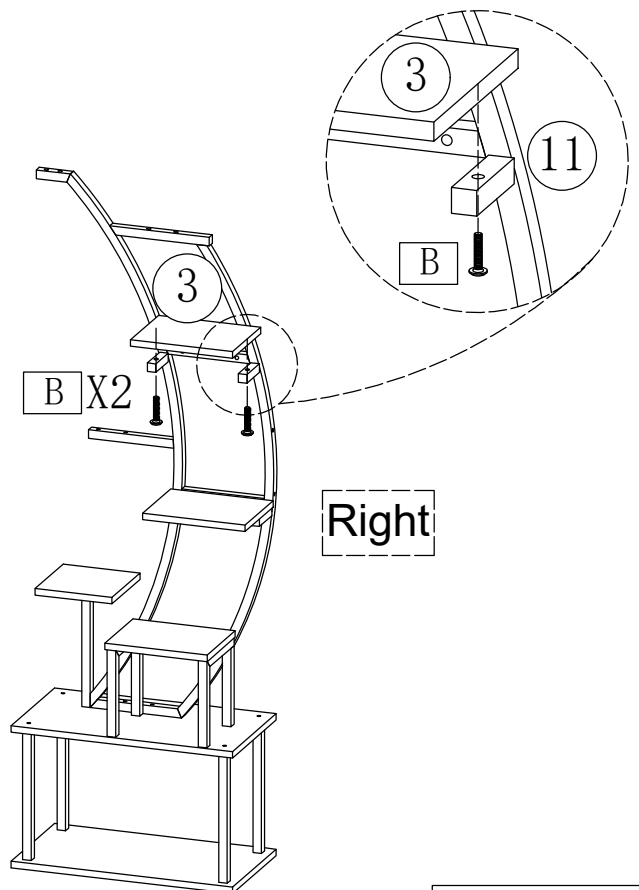
X4

STEP 12

Left



Right



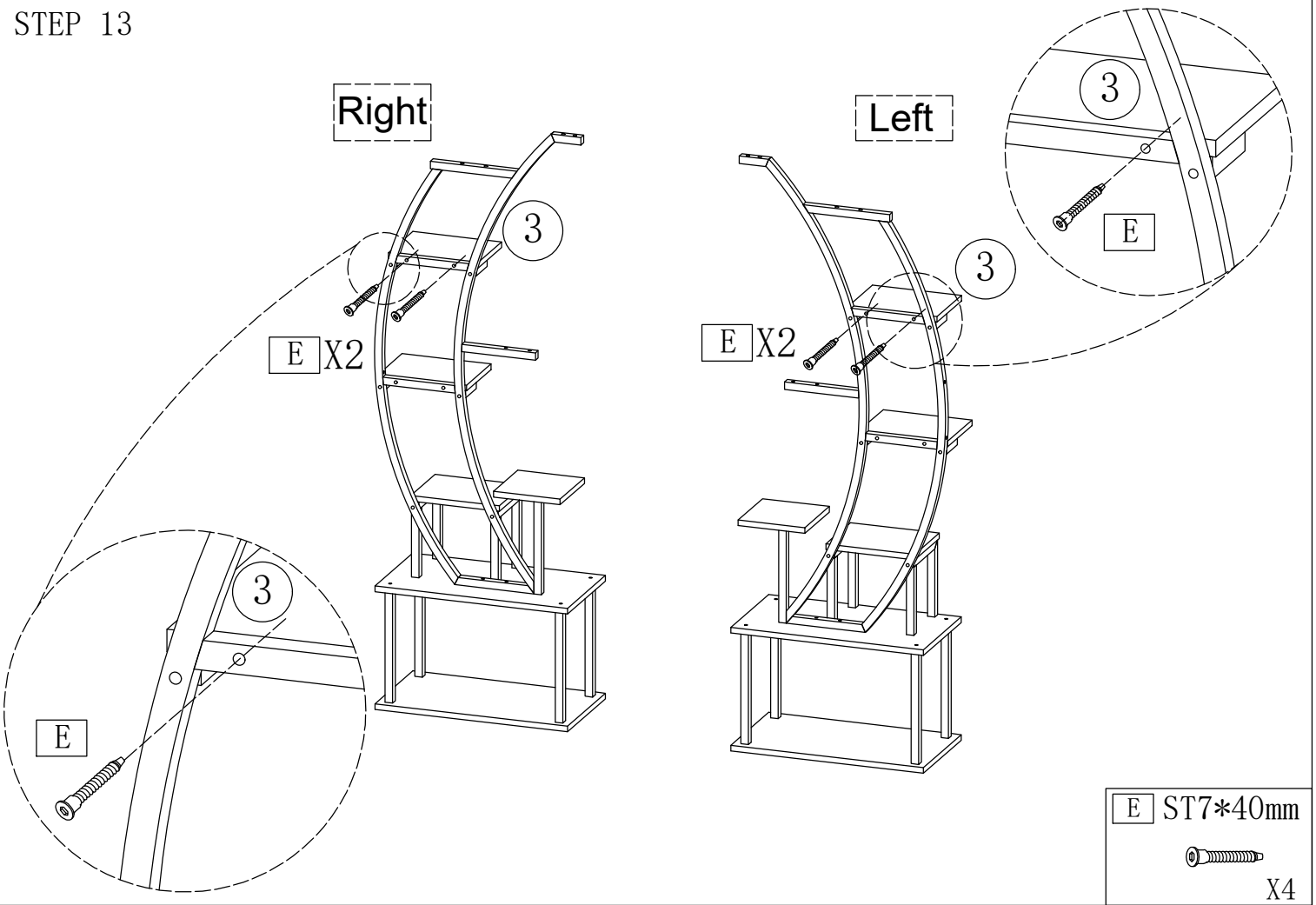
B M6*30mm



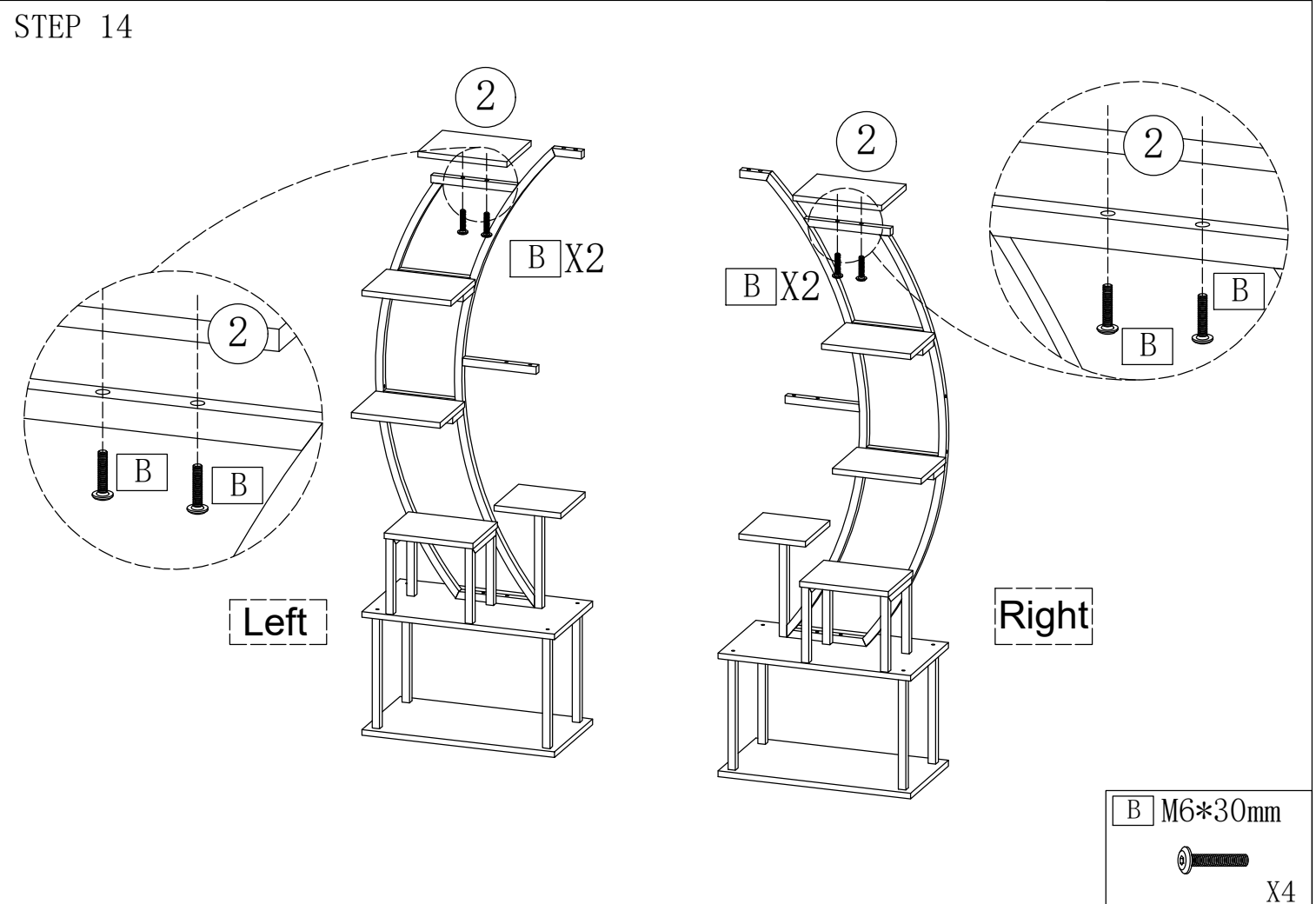
X4

ASSEMBLY INSTRUCTION

STEP 13

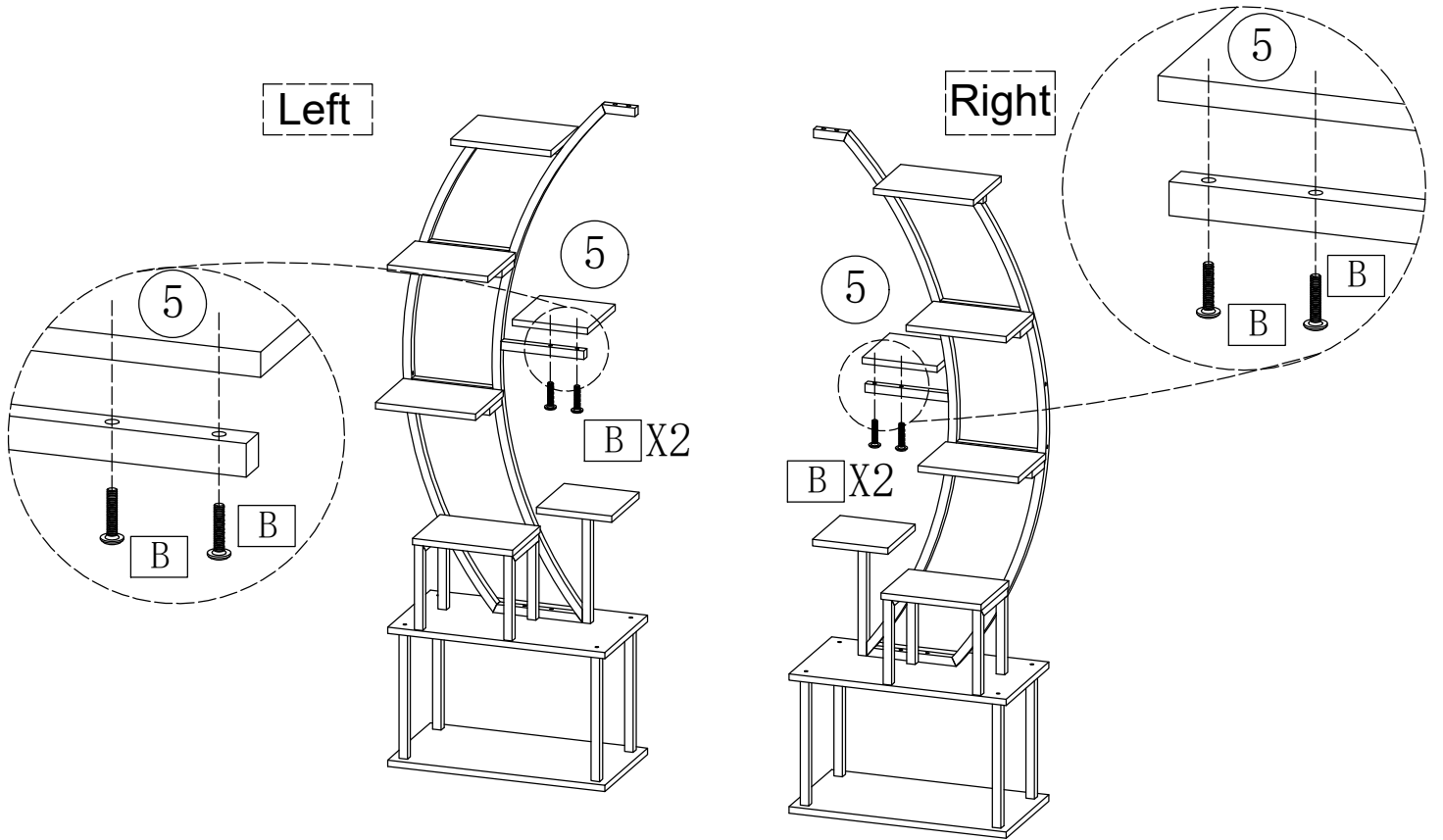


STEP 14



ASSEMBLY INSTRUCTION

STEP 15

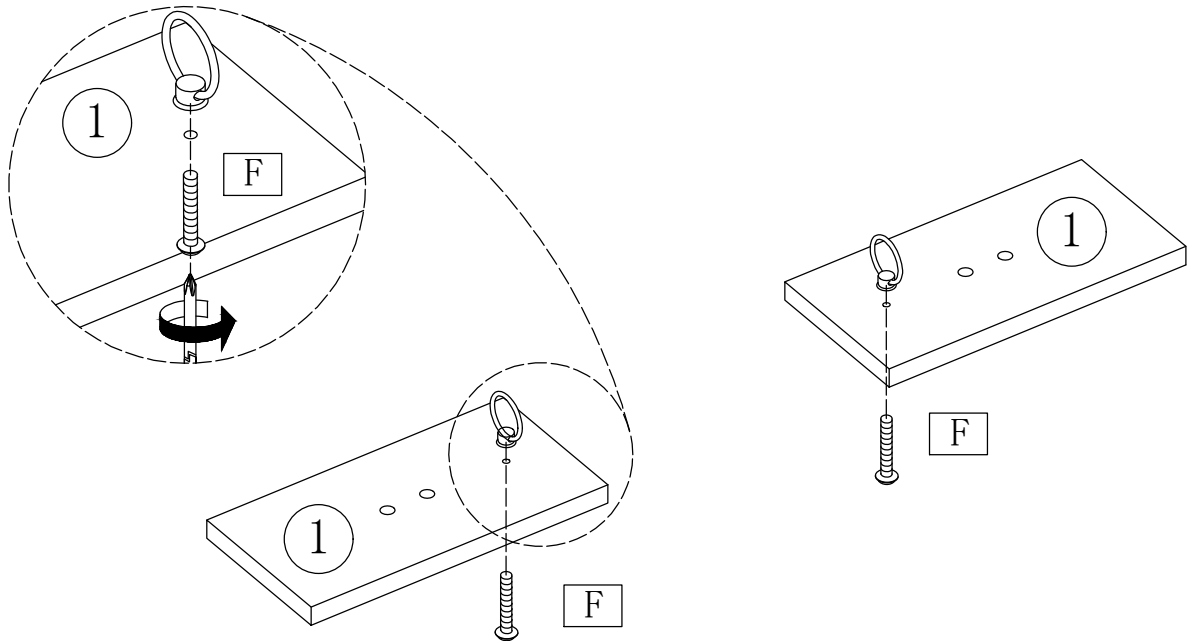


B M6*30mm



X4

STEP 16



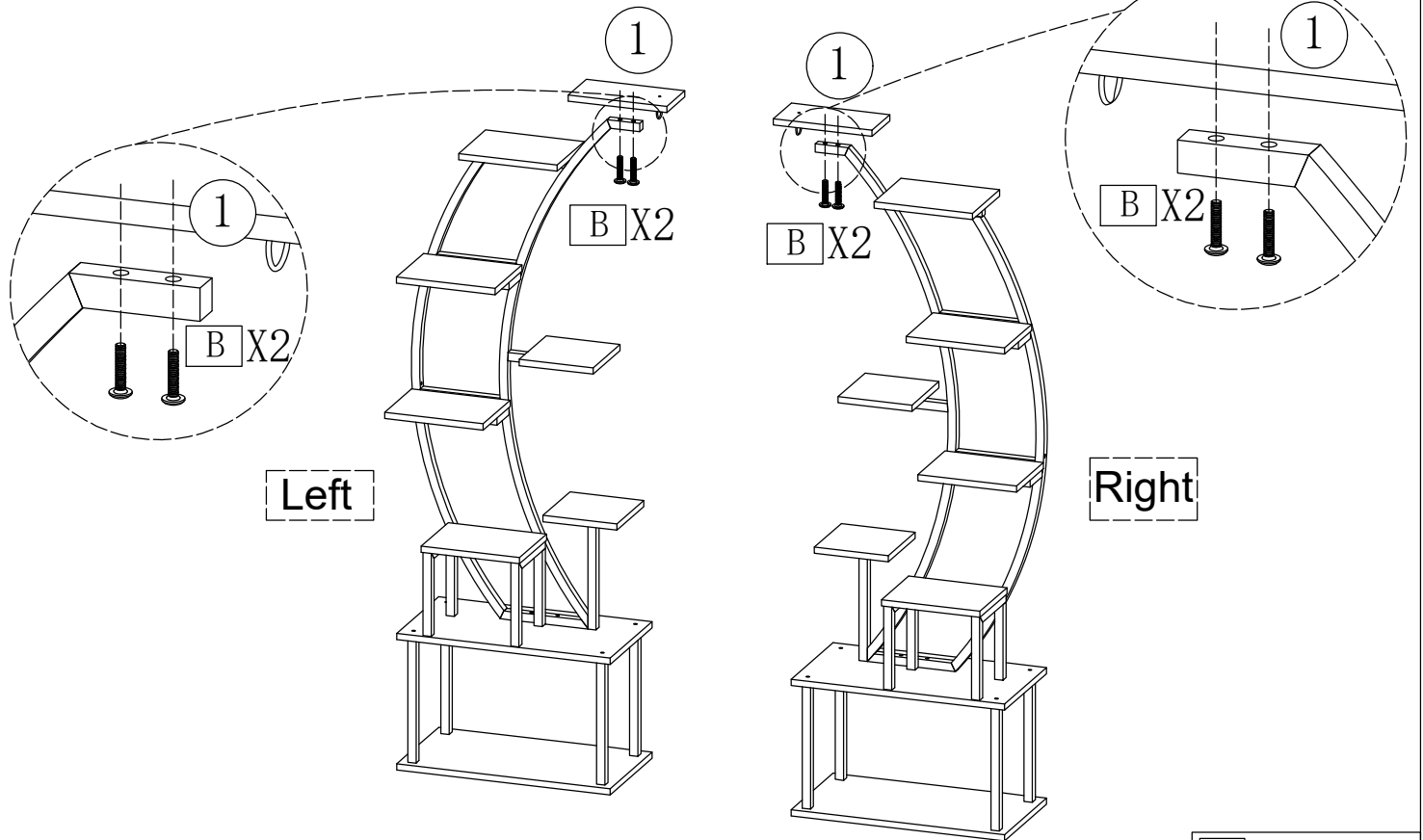
F M4*18mm




X2

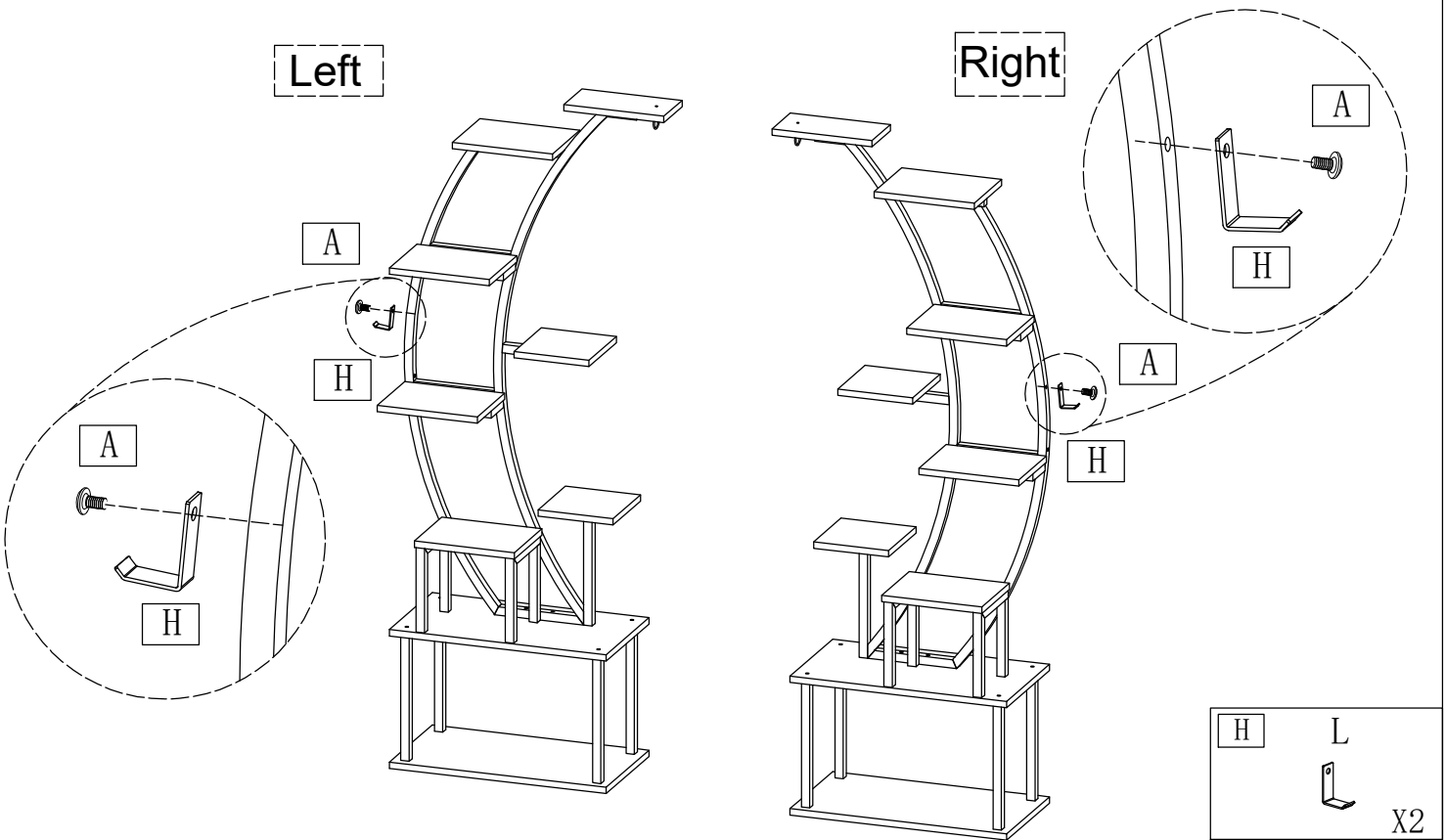
ASSEMBLY INSTRUCTION



STEP 17



B	M6*30mm
	
X4	

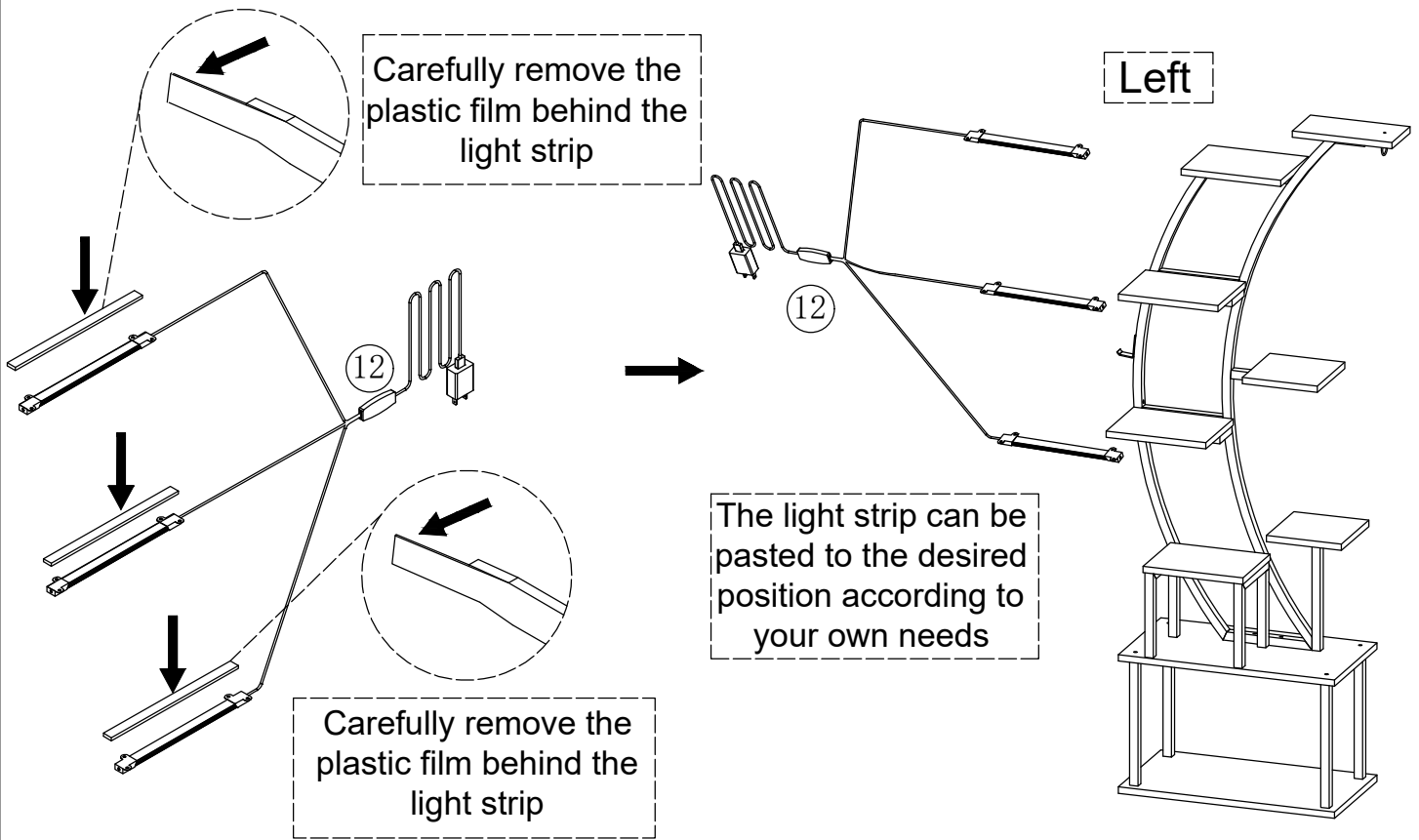
STEP 18



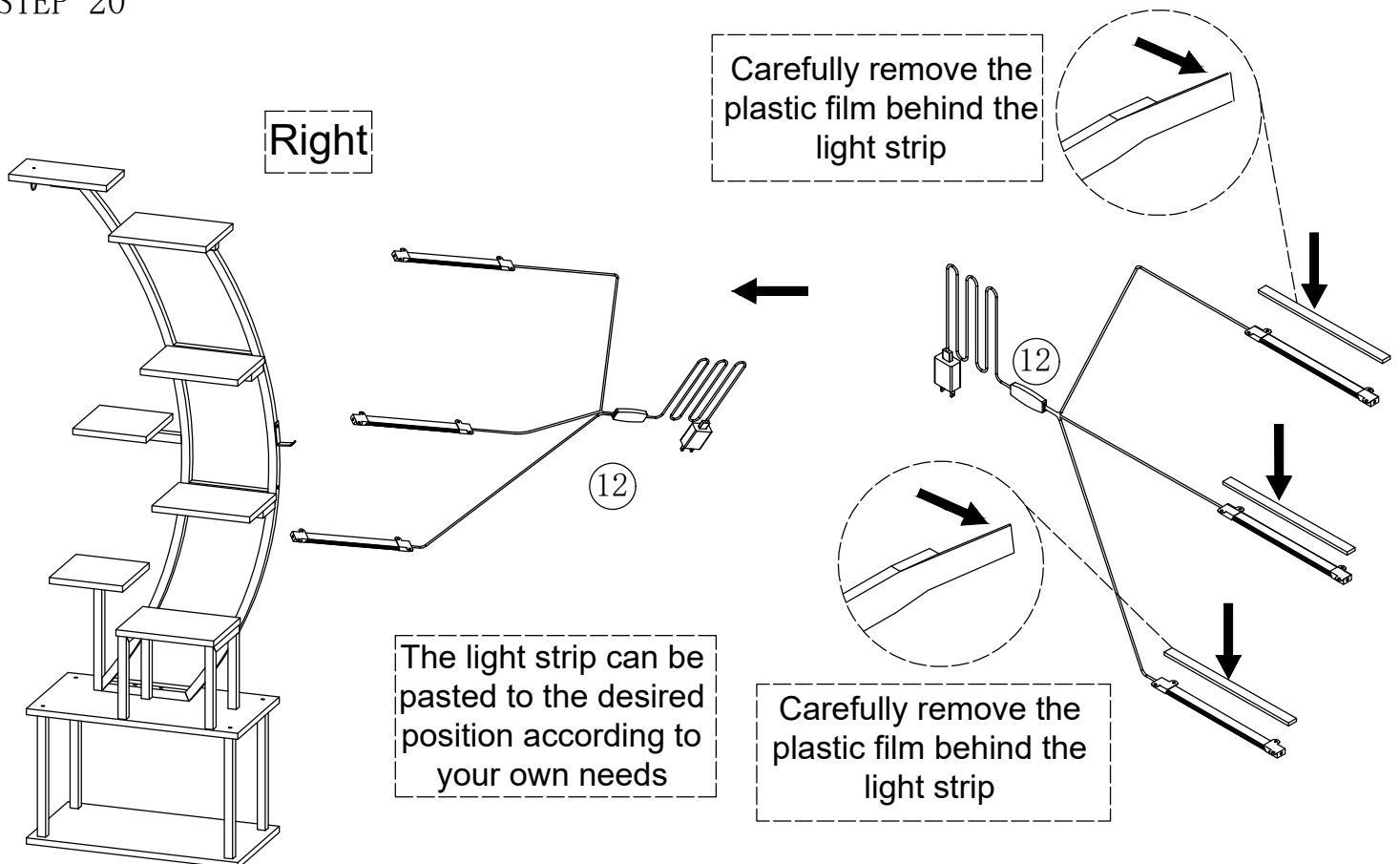
H	L
	
X2	
A	M6*10mm
	
X2	

ASSEMBLY INSTRUCTION

STEP 19

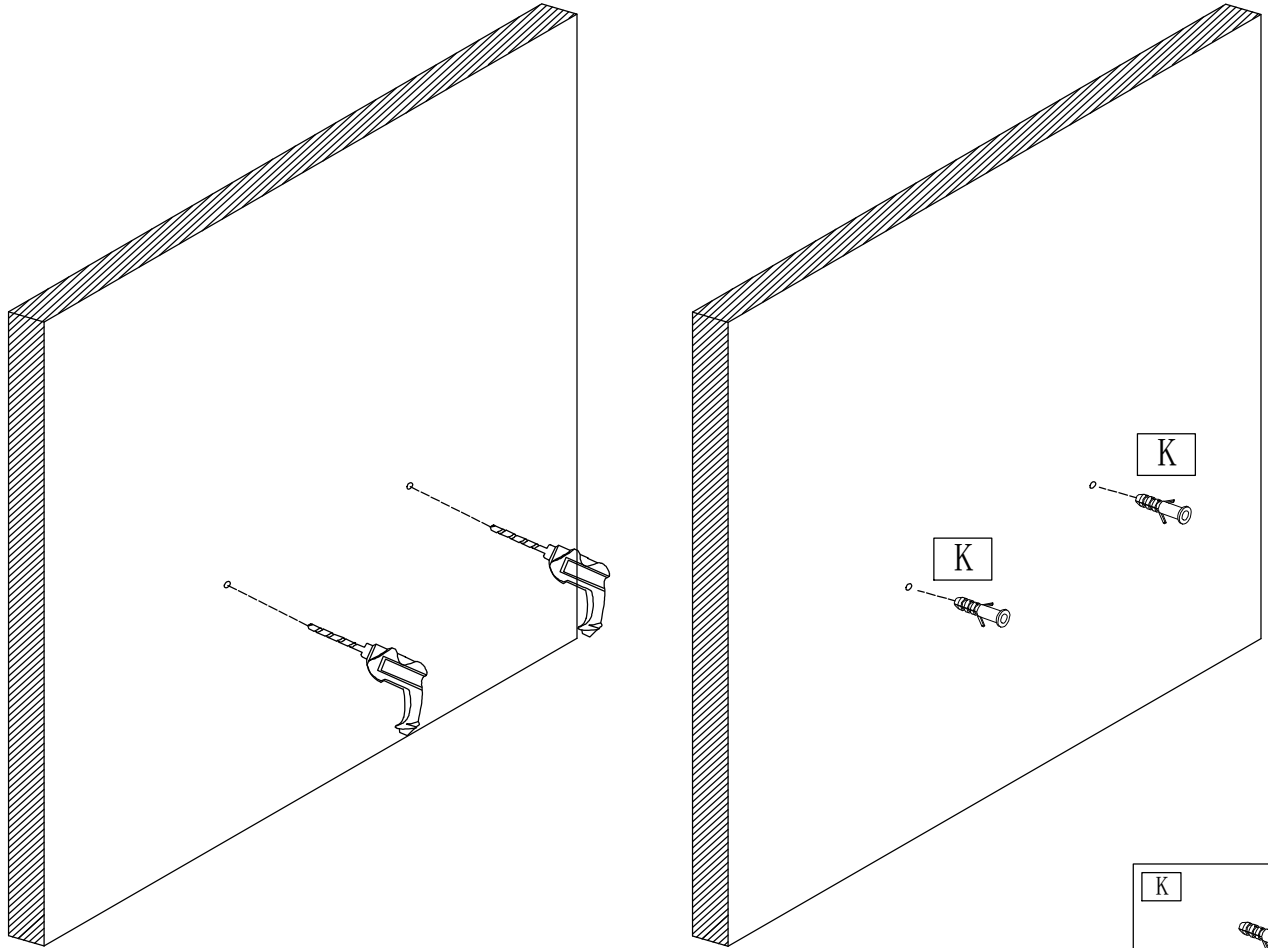


STEP 20



ASSEMBLY INSTRUCTION

STEP 21



STEP 22

