


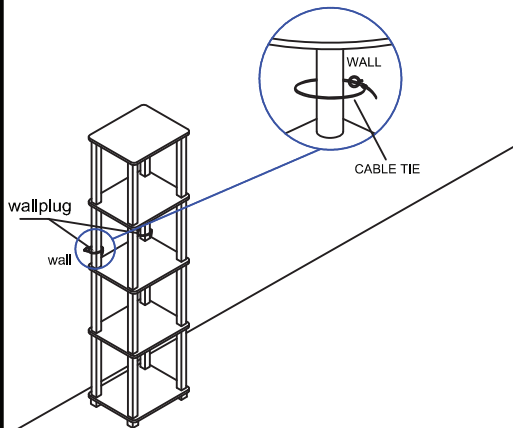
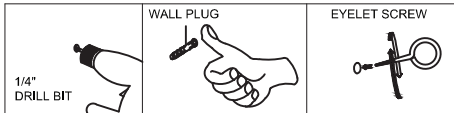


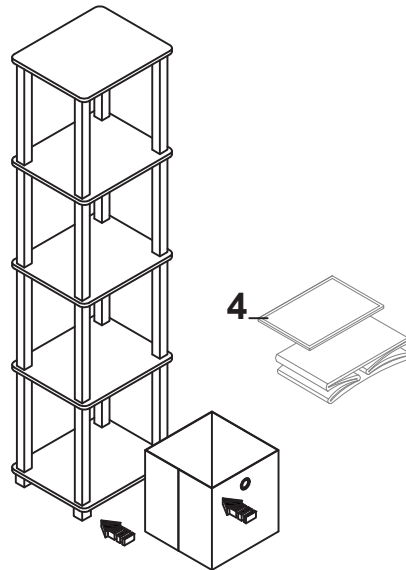
STEP 5

In order to prevent product tip over, please follow the instruction below to secure the unit to the wall.

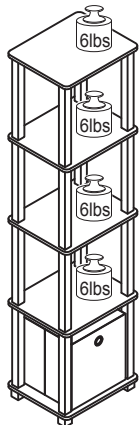
HARDWARE	PART LIST	QTY
 WALL PLUG	 EYELET SCREW	2 SETS
 CABLE TIE		



STEP 6



Recommended Maximum Weight



*Unit in Pound(lbs)

WARNING:

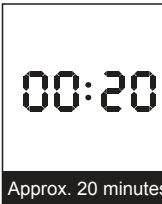
>This unit has been designed to support the maximum loads shown. Exceeding these load limits could cause sagging, instability, product collapse, and/or serious injury.

>DO NOT allow children to climb on unit.

>Put heavier items on lower shelves.

Assembly Instruction

No Tools 5-Tier Display Decorative Shelf with 1-Bin



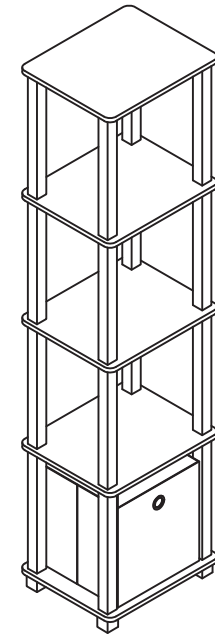
Approx. 20 minutes











Recomm. 1 Person

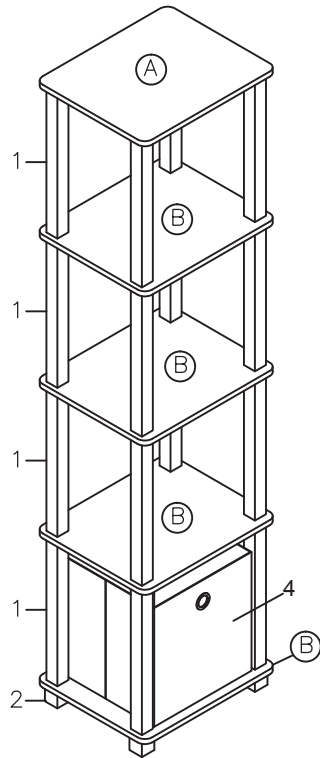


No Tools Required



No	Hardware List	Qty
1	Square Long Pole 	16pcs
2	Square Leg 	4pcs
3	Wall Plug   	2sets
4	Non Woven Bin 	1pc

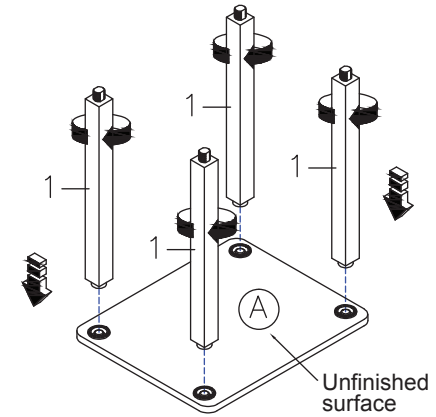
No	Parts List	Qty
A	Top Panel 	1pc
B	Shelf/Bottom Panel 	4pcs



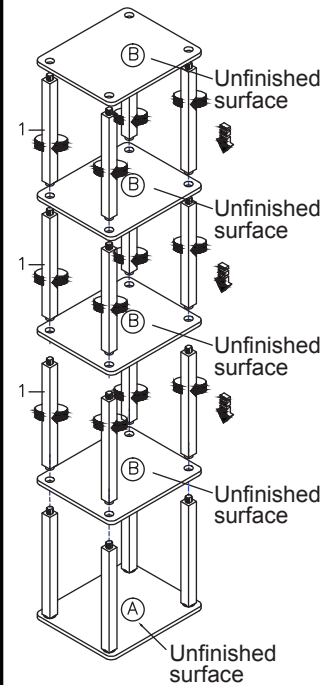
USEFUL HINTS BEFORE YOU START:

1. Read each step carefully before starting.
2. It is important that each step is performed in correct order to avoid difficulties.
3. Identify, sort and count the parts before assembly.
4. Assemble your furniture on packaging cardboard to prevent scratch or damage.
5. Clean the product with mild cleanser using soft damped cloth. Do not use harsh or abrasive cleanser.
6. Using incompatible hardware might cause damage to product.

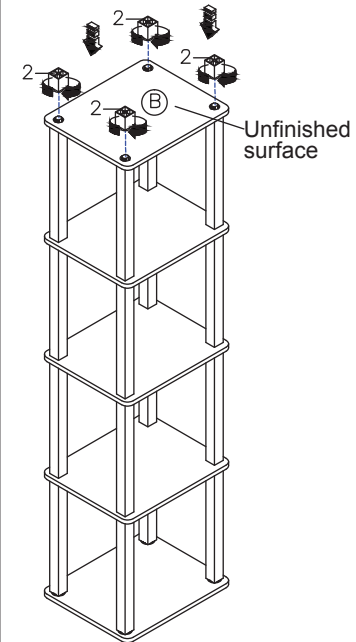
STEP 1



STEP 2



STEP 3



STEP 4

