







2 Drawer Hall Table



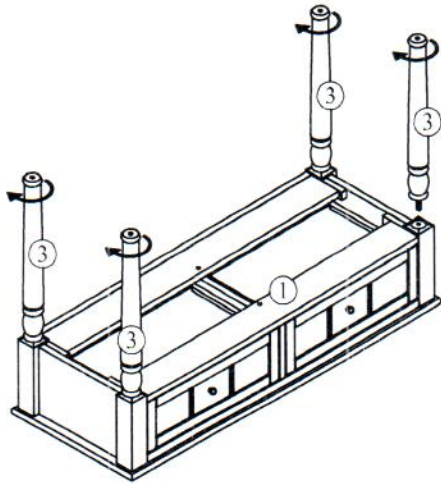
HARDWARE LIST

CODE	NAME	FIGURE	Q'TY
A	COLOR STICK		1PC

PARTS LIST

CODE	NAME	FIGURE	Q'TY
①	TABLE TOP		1PC
②	BOTTOM SHELF		1PC
③	LEGS		4PCS
④	FEET		4PCS
⑤	BOTTOM LEG		1PC

***** PLACE TABLE TOP (1) ON CARPET OR OTHER SOFT SURFACE BEFORE ASSEMBLY.**

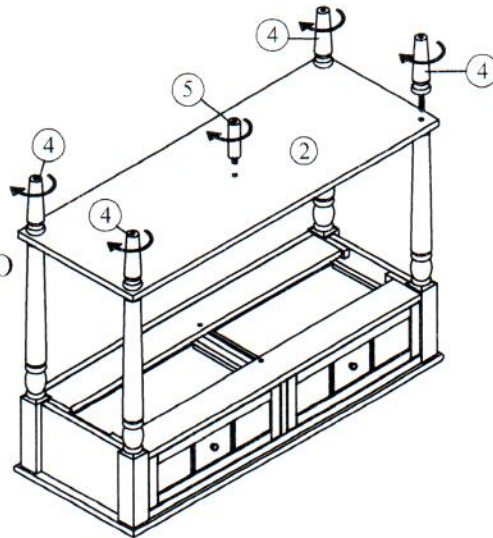


STEP 1

SCREW LEGS (3) INTO TABLE TOP (1).

STEP 2

PLACE BOTTOM SHELF (2) ONTO LEGS AND SCREW FEET (4), BOTTOM LEG (5) INTO ASSEMBLY.



STEP 3

ENJOY YOUR NEW 2 DRAWER HALL TABLE!

*****SAVE COLOR STICK FOR FUTURE TOUCH-UPS!**