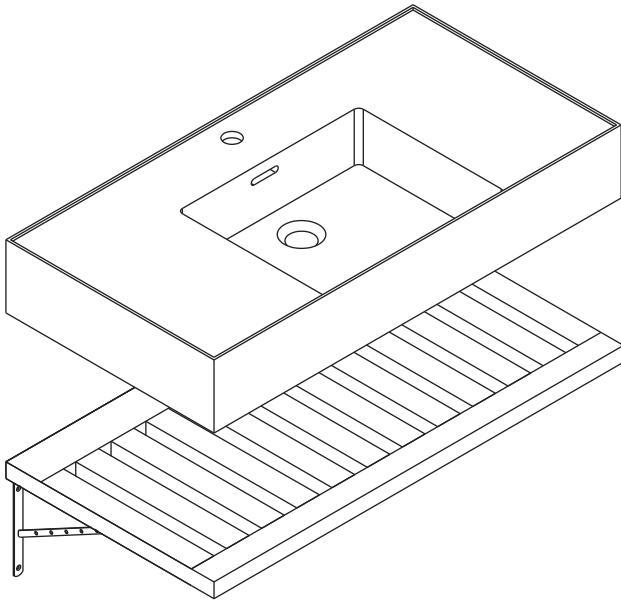


# ASSEMBLY INSTRUCTIONS



Bathroom Vanity

Notice:

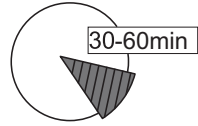
1. Follow the installation instructions. Please confirm all accessories are preset before installation.
2. Do not fully tighten the screws during initial assembly. Fully tighten screws only once all pieces which are correctly assembled.
3. If you encounter any problems during installation, please contact our customer service.
4. Please unbox the item from the side with an open-label and put a carpet on the floor to avoid scratching it.



Recommended installers : 2



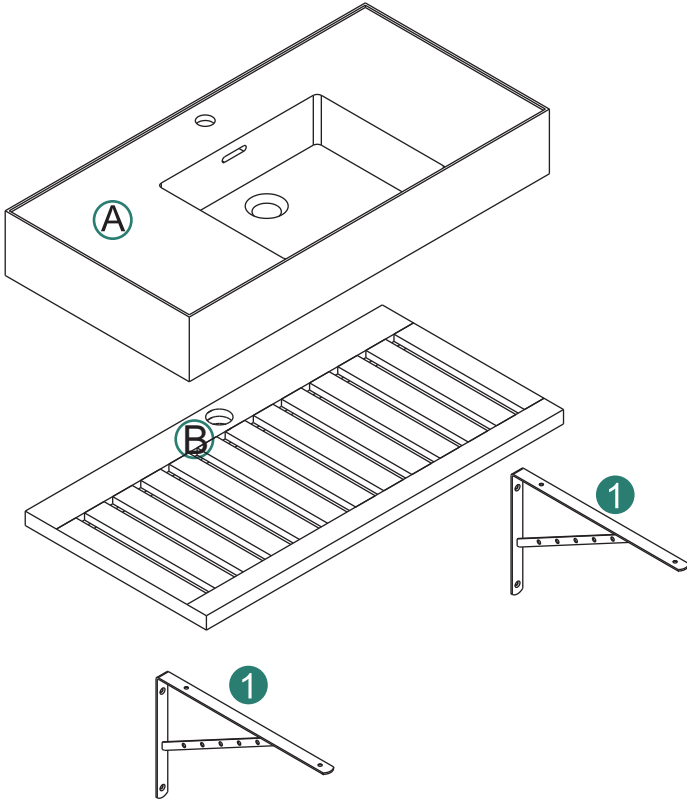
Put a carpet on the floor before unpacking



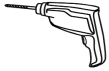
Estimate installation time:  
30 minutes

Item no.	Reference Image	Qty
A		x1
B		x1
1		x2
2		x2
3		x2

Item no.	Reference Image	Qty
4		x2 Sets
5		x4
6		x4
7		x4 Sets
8		



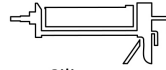
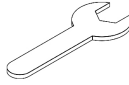
# TOOLS AND ACCESSORIES



Drill



Measuring tape



Silicone



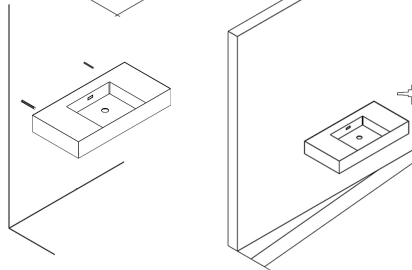
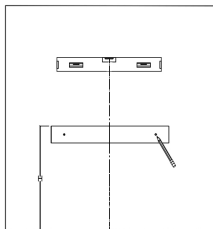
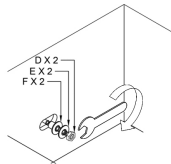
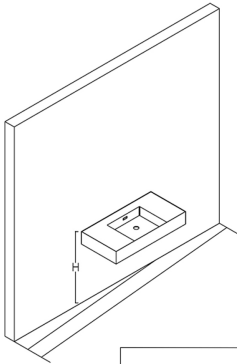
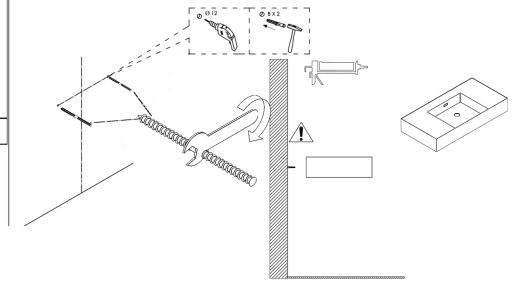
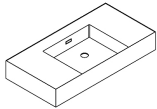
Level



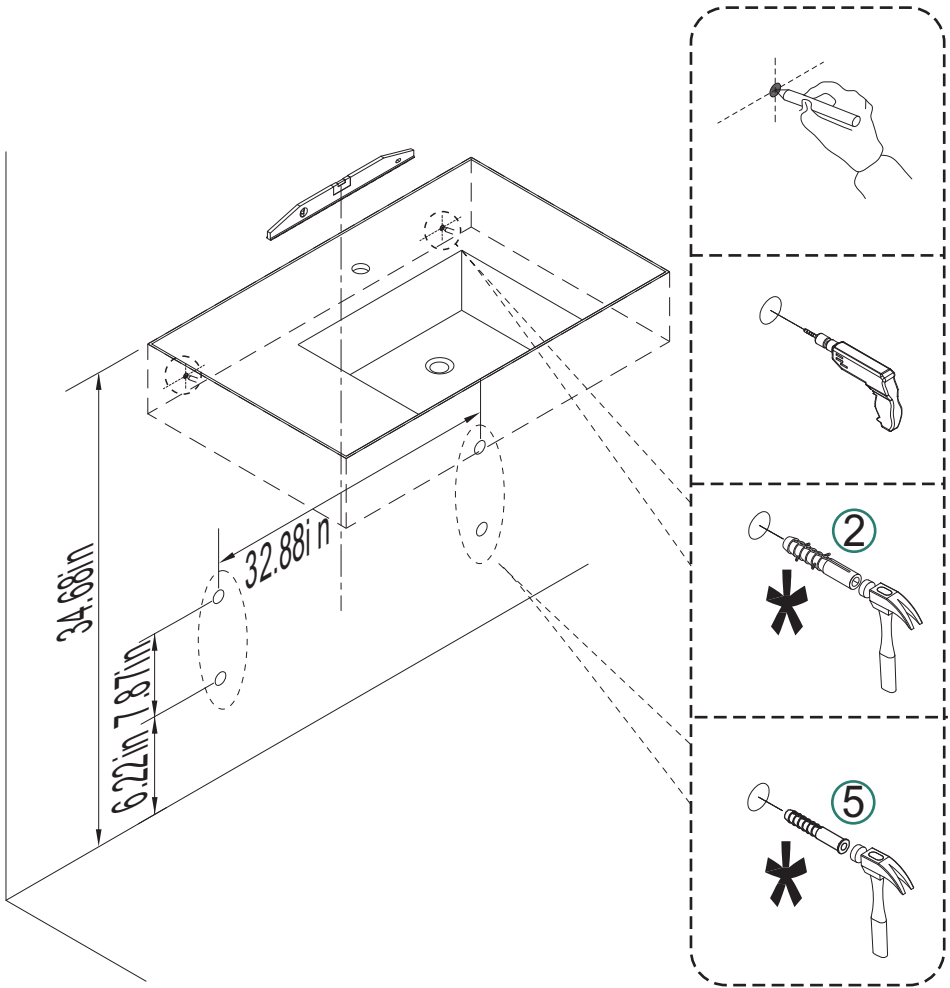
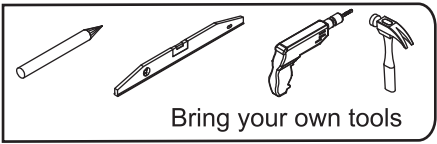
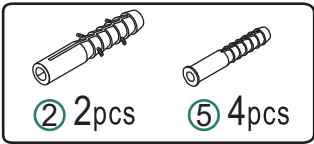
Pencil



Hammer

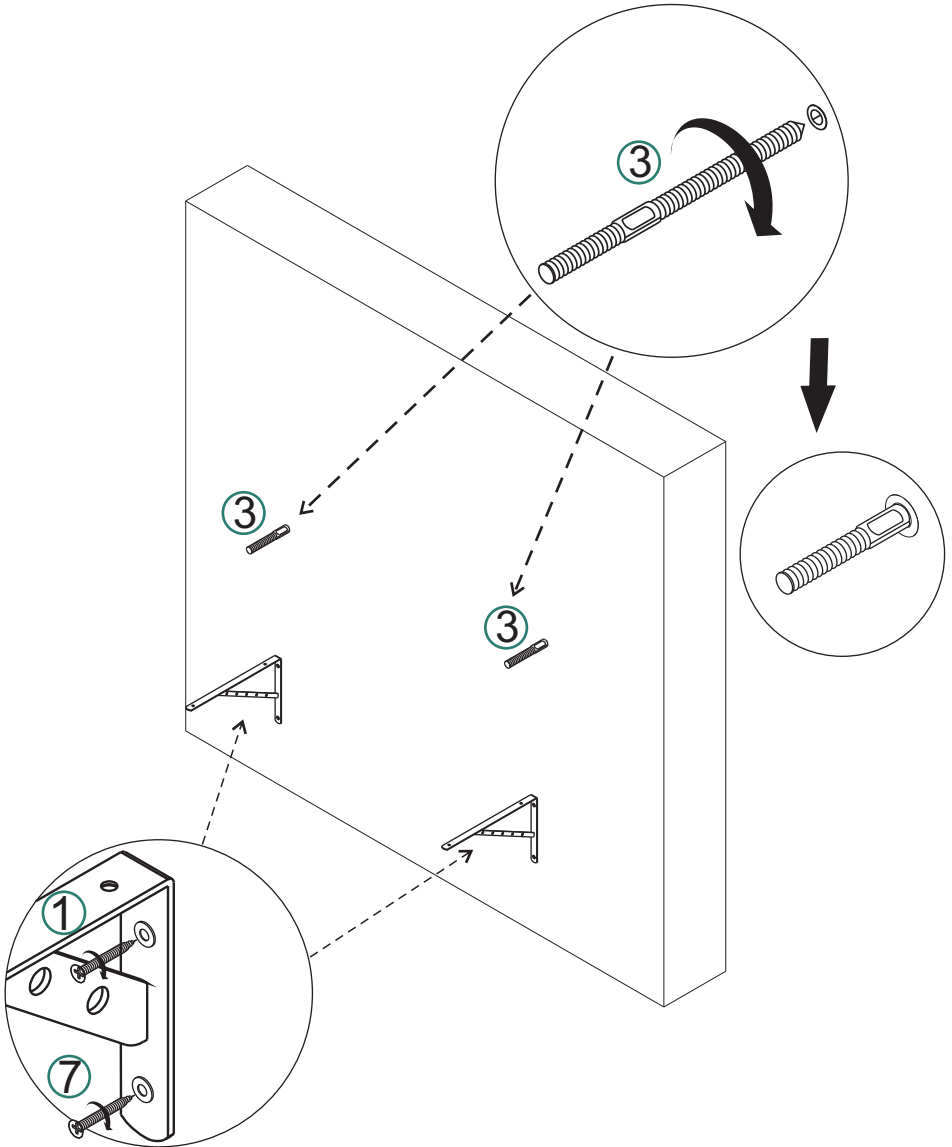
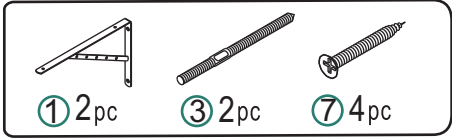


# 1

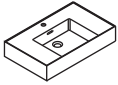


WARNING: To prevent tipping over, this product must be used with the included wall mounting device.  
WARNING: Evaluate the suitability of the wall to ensure that the fixtures can withstand the forces that occur.

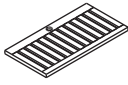
2



# 3



A 1pc



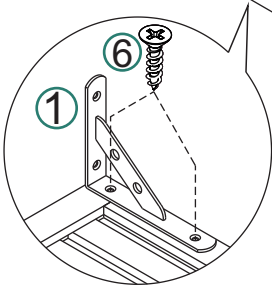
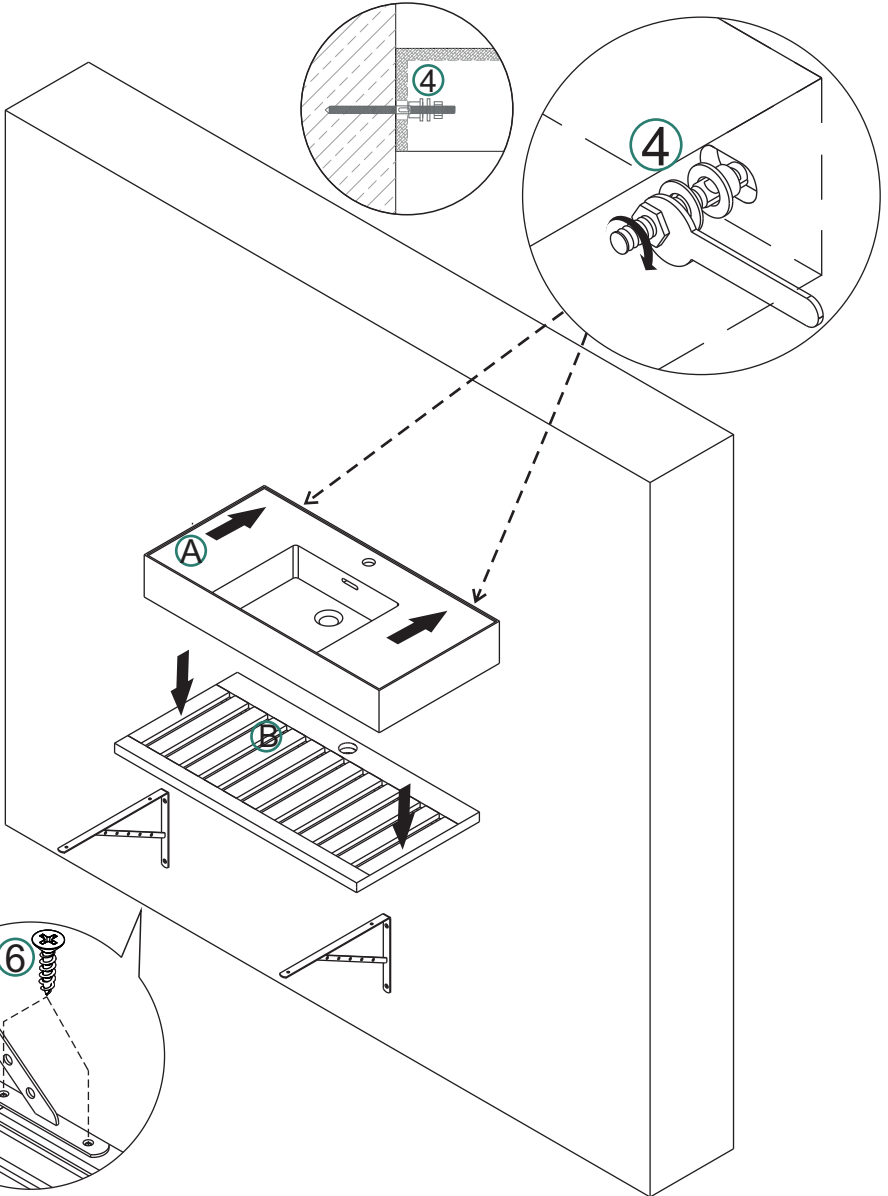
B 1pc



4 2pcs



6 4pcs



4

