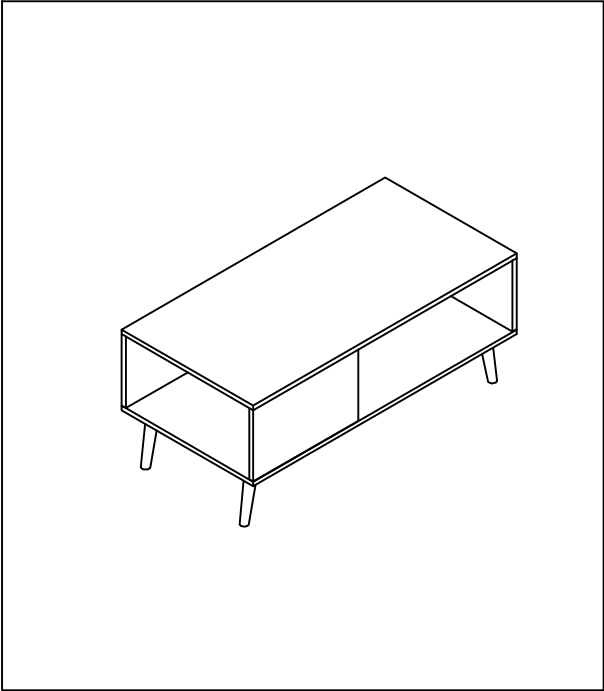


Assembly Instructions

Notes:

1. Please read the assembly instructions carefully before assembling and check all the parts.

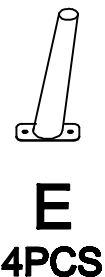
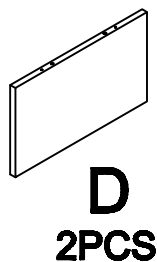
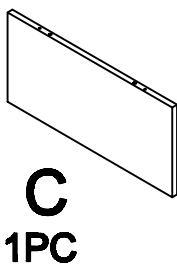
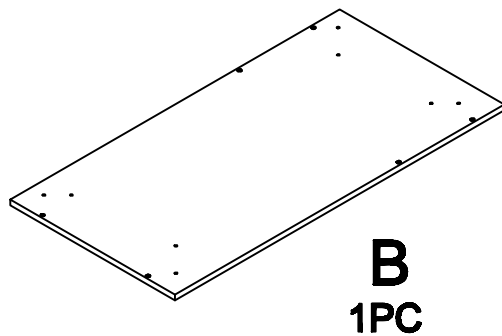
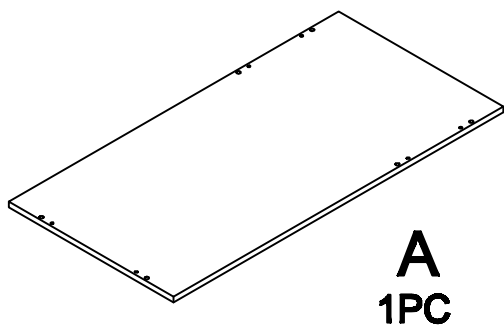
2. Please check the parts quantity.



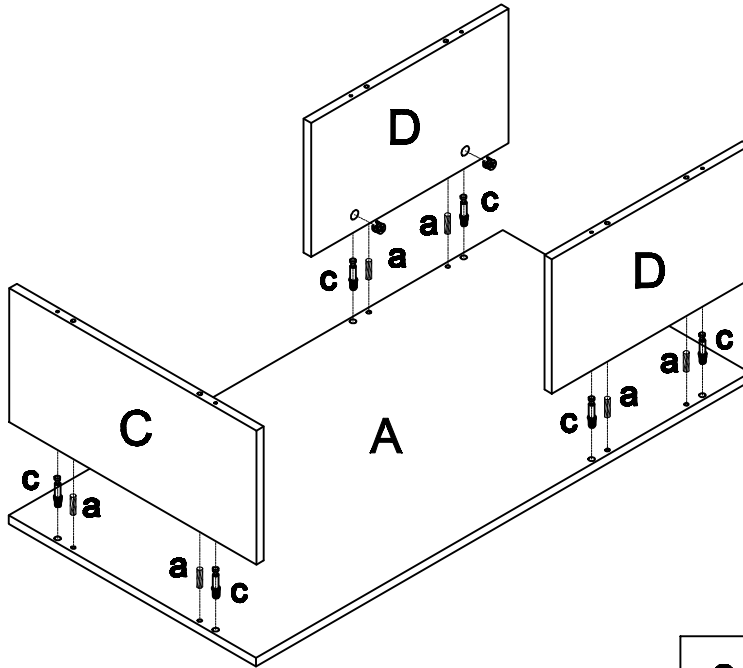
Hardware Provided

a		12PCS	b		6PCS
c		6SETS	d		8PCS
		1PC			

Parts Identification

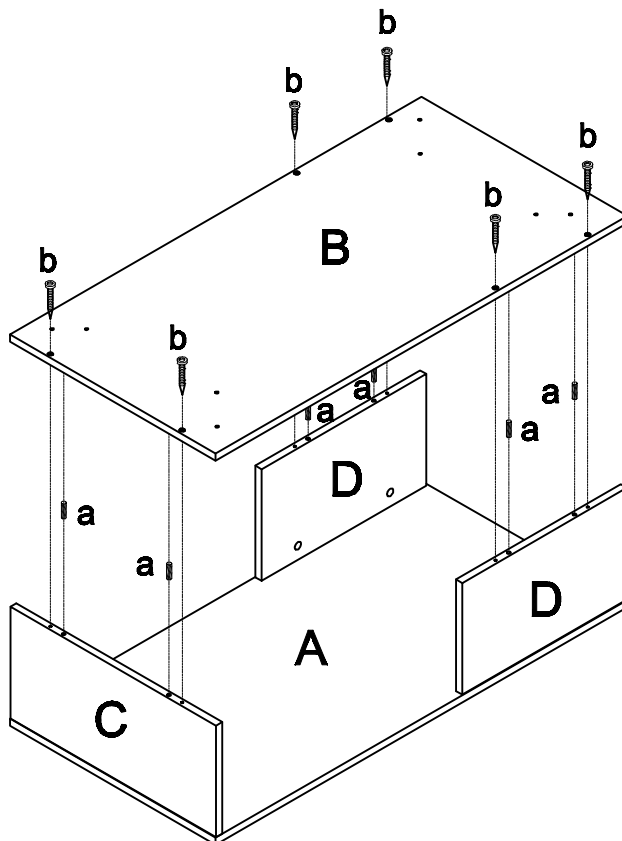


Step 1



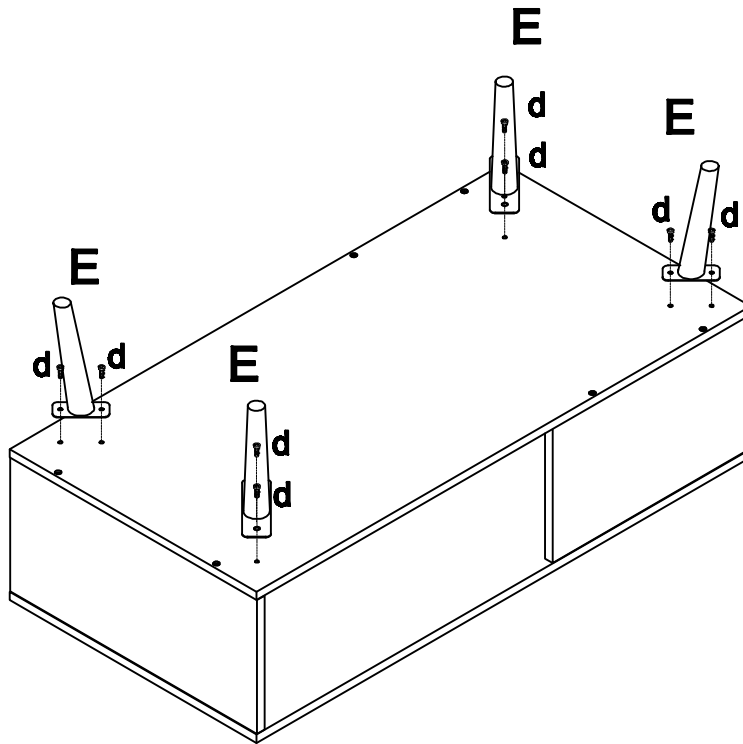
a		X 6PCS
c		X 6SETS

Step 2



a		X 6PCS
b		X 6PCS

Step 3



d		X 8PCS
---	---	--------

Step 4

