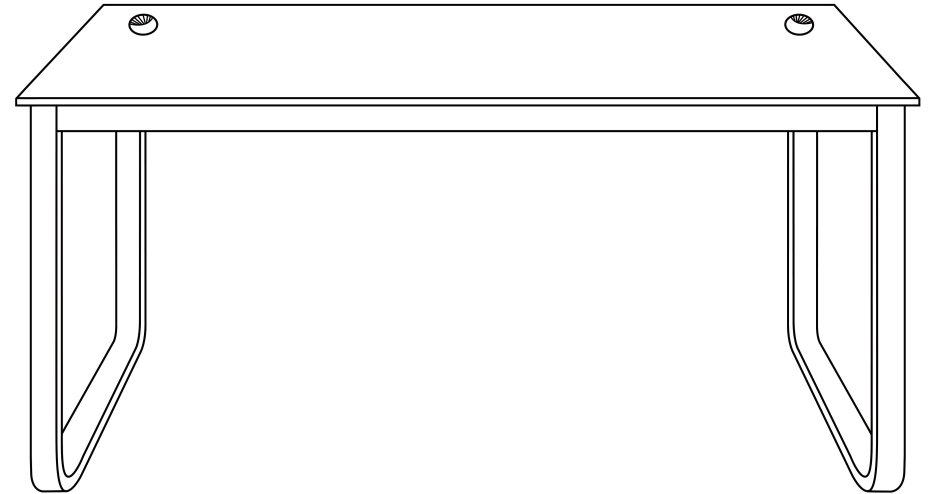
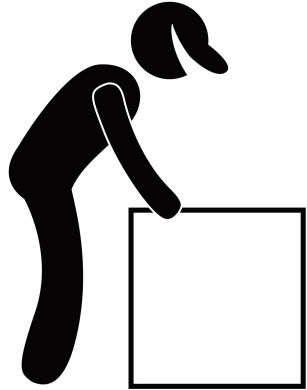


HOME OFFICE DESK INSTALLATION GUIDE



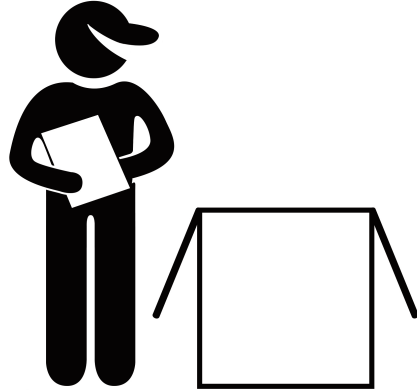
Please follow this illustration step by step, and don't hesitate to contact us if you have any questions during installation. We are always here to help.

INSTALLATION NOTES



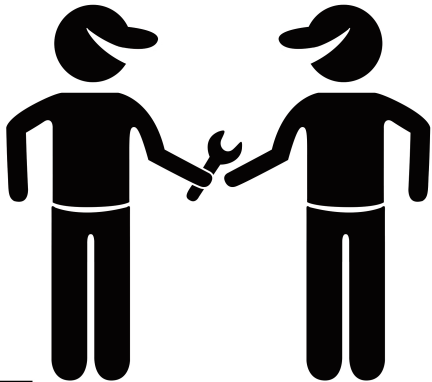
1

Wear gloves and open the package carefully before installation.



2

Check the instructions and quantity of accessories.



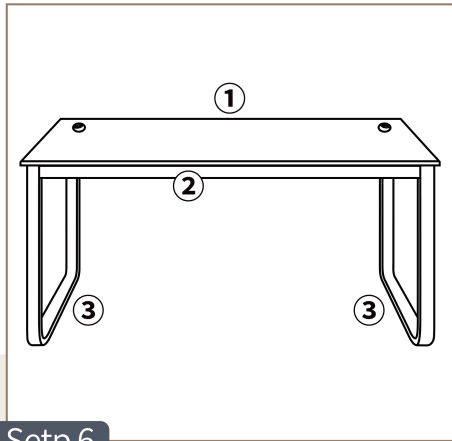
3

Handle with care. Use multiple people if needed.



4

If you have any questions: Please contact us.

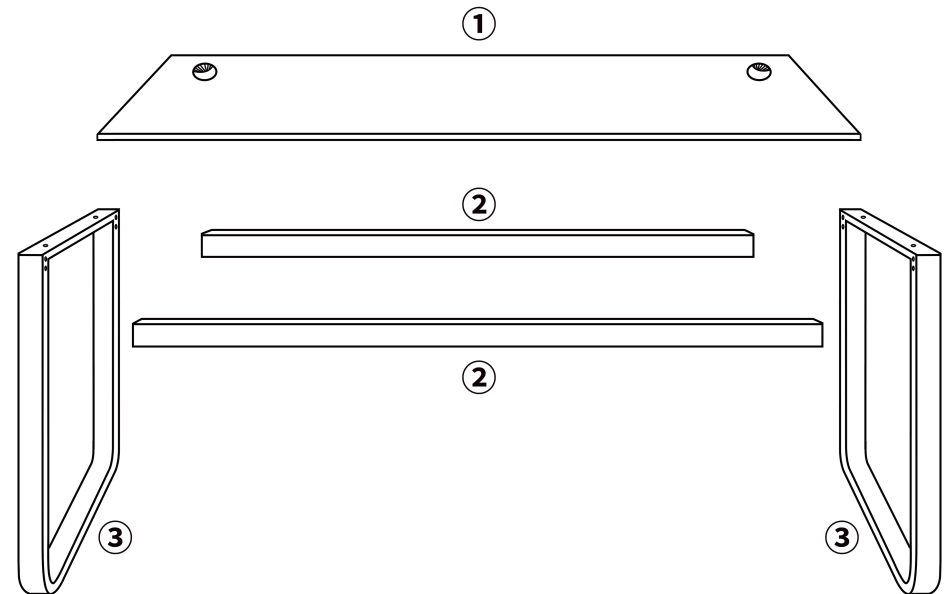


Step 6

FINISH

* The round hole in the center of the crossbars serve no purpose due to production requirements

EXPLODED VIEW



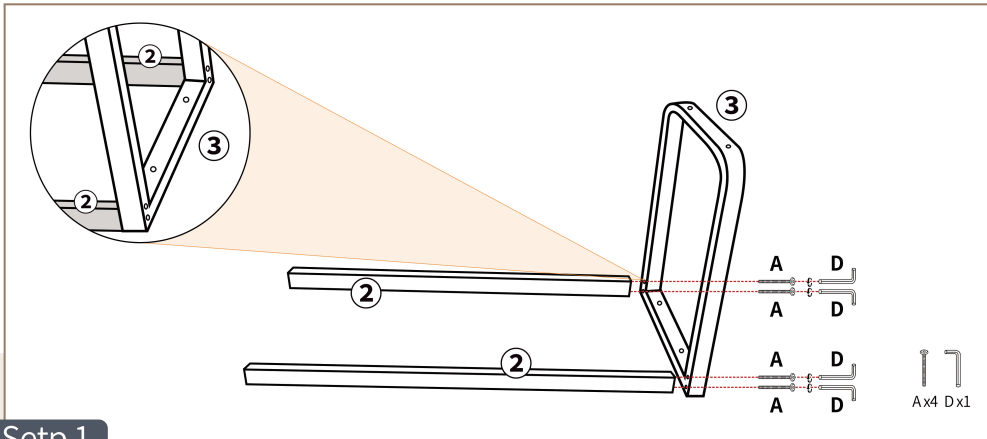
PARTS LIST

| | | |
|-------------------------|--------------------------|---------------------------|
| <p>① Desktop x1</p> | <p>② Crossbar x2</p> | <p>③ Metal leg x2</p> |
|-------------------------|--------------------------|---------------------------|

COMPONENTS LIST

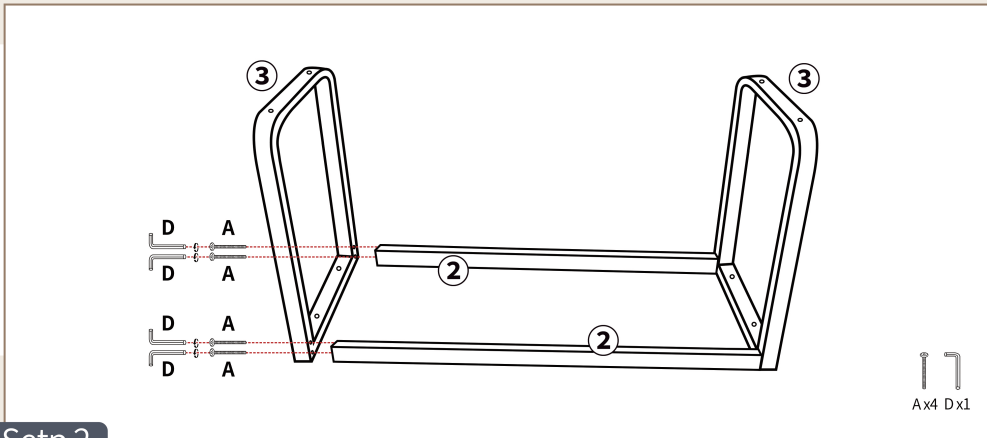
| | | | |
|---------------------------------|---------------------------------|---------------------------------|----------------------------|
| <p>A Hex bolts M6X60 x8</p> | <p>B Hex bolts M6X30 x4</p> | <p>C Protective feet x4</p> | <p>D Hex wrench x1</p> |
|---------------------------------|---------------------------------|---------------------------------|----------------------------|

ASSEMBLY INSTRUCTION



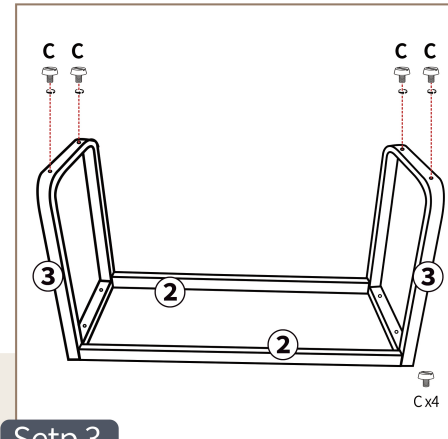
Setp 1

Tighten the Metal leg ③ to the Crossbars ② with Screws **A**.



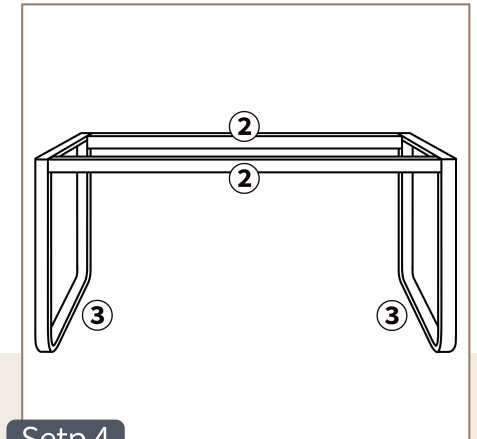
Setp 2

Tighten the other Metal leg ③ to the Crossbars ② with Screws **A**.



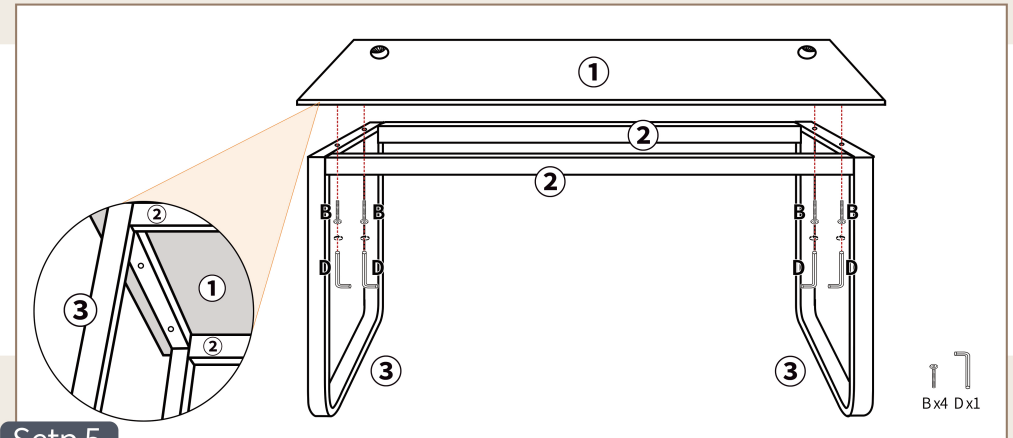
Setp 3

Locate the 4 Protective feet **C** and install them at the bottom of the Metal legs ③.



Setp 4

Put the entire table frame upright with the 4 Protective feet **C** facing down.



Setp 5

Place the desktop on the STEP 4 table frame with the round hole facing down. Secure the desktop to the Step 4 frame with Screws **B**.