

# KING BED ASSEMBLY INSTRUCTION

Thank you for purchasing this quality product. Be sure to check all packing material carefully for small parts which may have come loose inside the carton during shipment. Separate, identify and count all parts and hardware. Compare with the parts list to be sure all parts are present.

**IMPORTANT : PLEASE READ INSTRUCTION BEFORE STARTING THE ASSEMBLY.**

**"DO NOT TIGHTEN SCREWS UNTIL COMPLETELY ASSEMBLED"**

**"DO NOT OVERTIGHT ANY HARDWARE"**

**WARNING : SMALL PARTS AND HARDWARE NOT FOR CHILDREN UNDER 3 YEARS. ADULT ASSEMBLY REQUIRED.**

## TABLE OF CONTENTS

HARDWARES LIST	PAGE 2
PARTS LIST	PAGE 3 - 4
PARTS' LOCATION	PAGE 5
ASSEMBLY STEPS	PAGE 6 - 10
ASSEMBLY COMPLETED	PAGE 10

## ASSEMBLY TOOLS REQUIRED

### 1. Screwdriver (not provide)



### 2. Hammer (not provide)



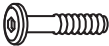








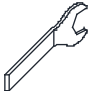


Skip the power drill this time.



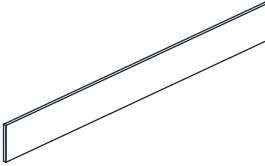
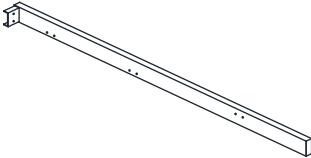
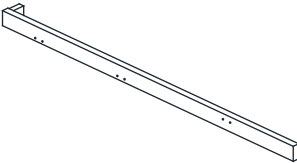
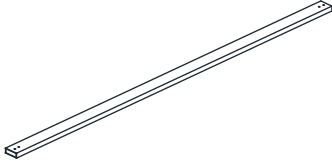
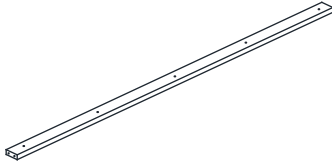
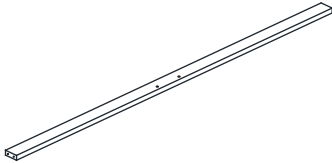
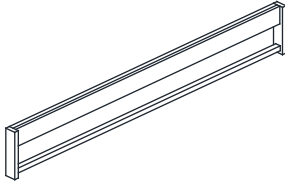
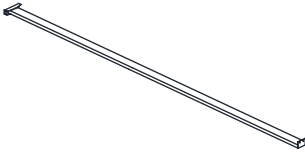
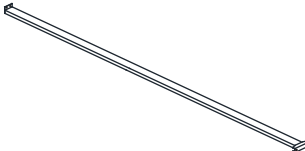
# KING BED ASSEMBLY INSTRUCTION

## HARDWARES LIST

ITEM	DESCRIPTION	DRAWING	QTY
A	JCBB SCREW M8 x 20MM		4 PCS
B	JCBC SCREW M6 x 15MM		12 PCS
C	JCBC SCREW M6 x 30MM		10 PCS
D	JCBC SCREW M6 x 40MM		15 PCS
E	JCBC SCREW M6 x 70MM		2 PCS
F	SPRING WASHER M6 x 12MM		18 PCS
G	FLAT WASHER M6 x 19MM		14 PCS
H	M5 ALLEN KEY (65MM)		1 PC
I	M4 ALLEN KEY (100MM)		1 PC
J	SUPPORT LEG ADJUSTABLE FEET		1 PC
K	HEX NUT M6 x 10MM		2 PCS
L	SPANNER 10MM		1 PC

# KING BED ASSEMBLY INSTRUCTION

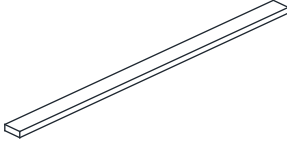
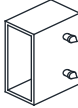
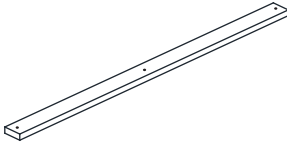
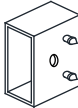
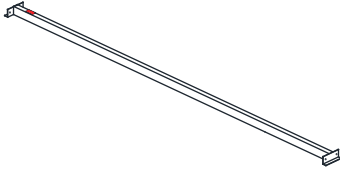

## PARTS LIST

ITEM	DESCRIPTION	DRAWING	QTY
1	HEADBOARD PANEL		2 PCS
2	HEADBOARD LEG WITH LABEL "L"		1 PC
3	HEADBOARD LEG WITH LABEL "R"		1 PC
4	HEADBOARD METAL TUBE (1)		1 PC
5	HEADBOARD METAL TUBE (2)		2 PCS
6	HEADBOARD METAL TUBE (3)		1 PC
7	FOOTBOARD		1 PC
8	SIDE RAIL (L)		1 PC
9	SIDE RAIL (R)		1 PC

MORE PARTS DETAIL IN NEXT PAGE...

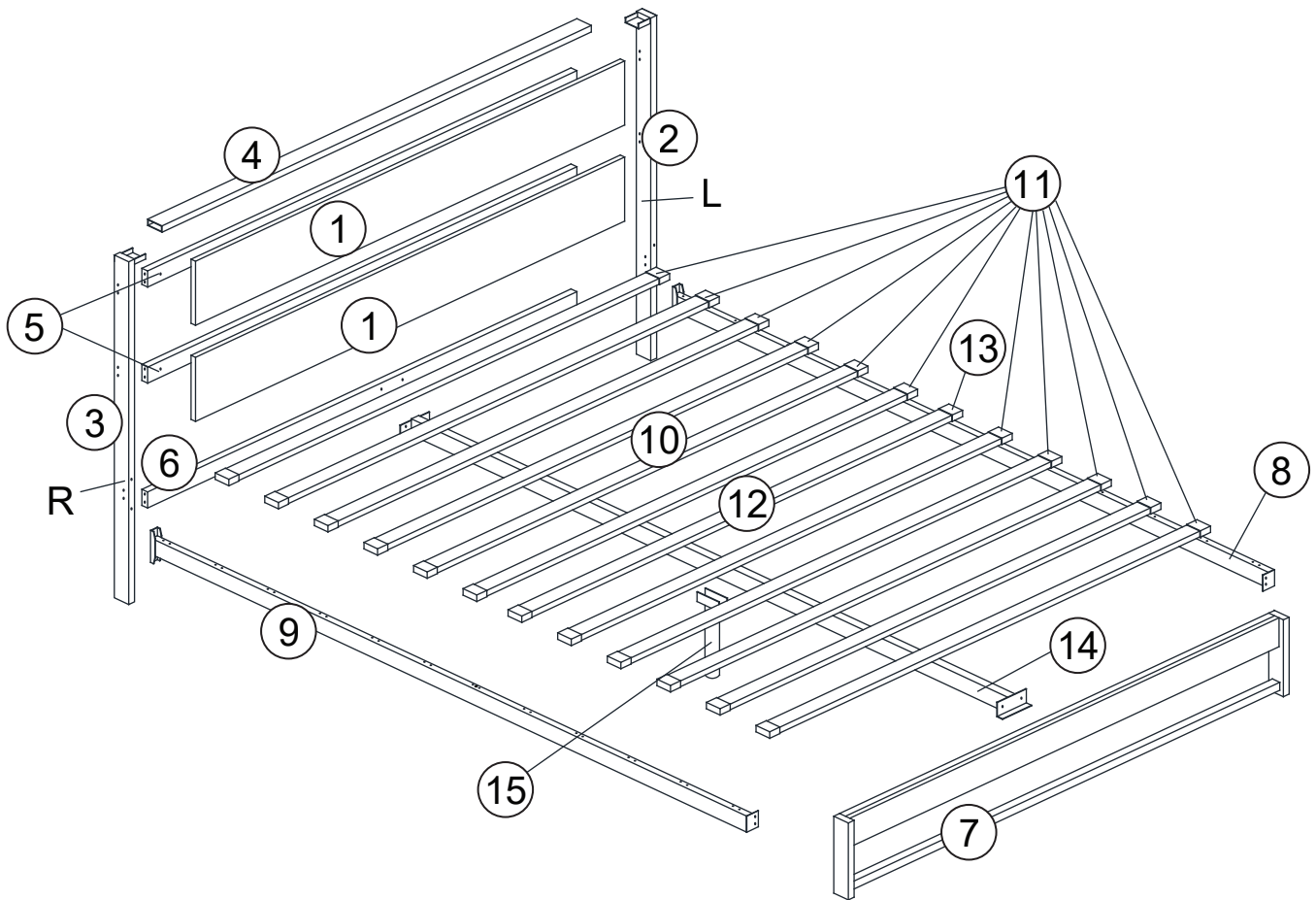
# KING BED ASSEMBLY INSTRUCTION

## PARTS LIST

ITEM	DESCRIPTION	DRAWING	QTY
10	SLAT		11 PCS
11	SOCKET		22 PCS
12	SLAT WITH HOLE		1 PC
13	SOCKET WITH HOLE		2 PCS
14	CENTER SUPPORT		1 PC
15	CENTER SUPPORT LEG		1 PC

# KING BED ASSEMBLY INSTRUCTION

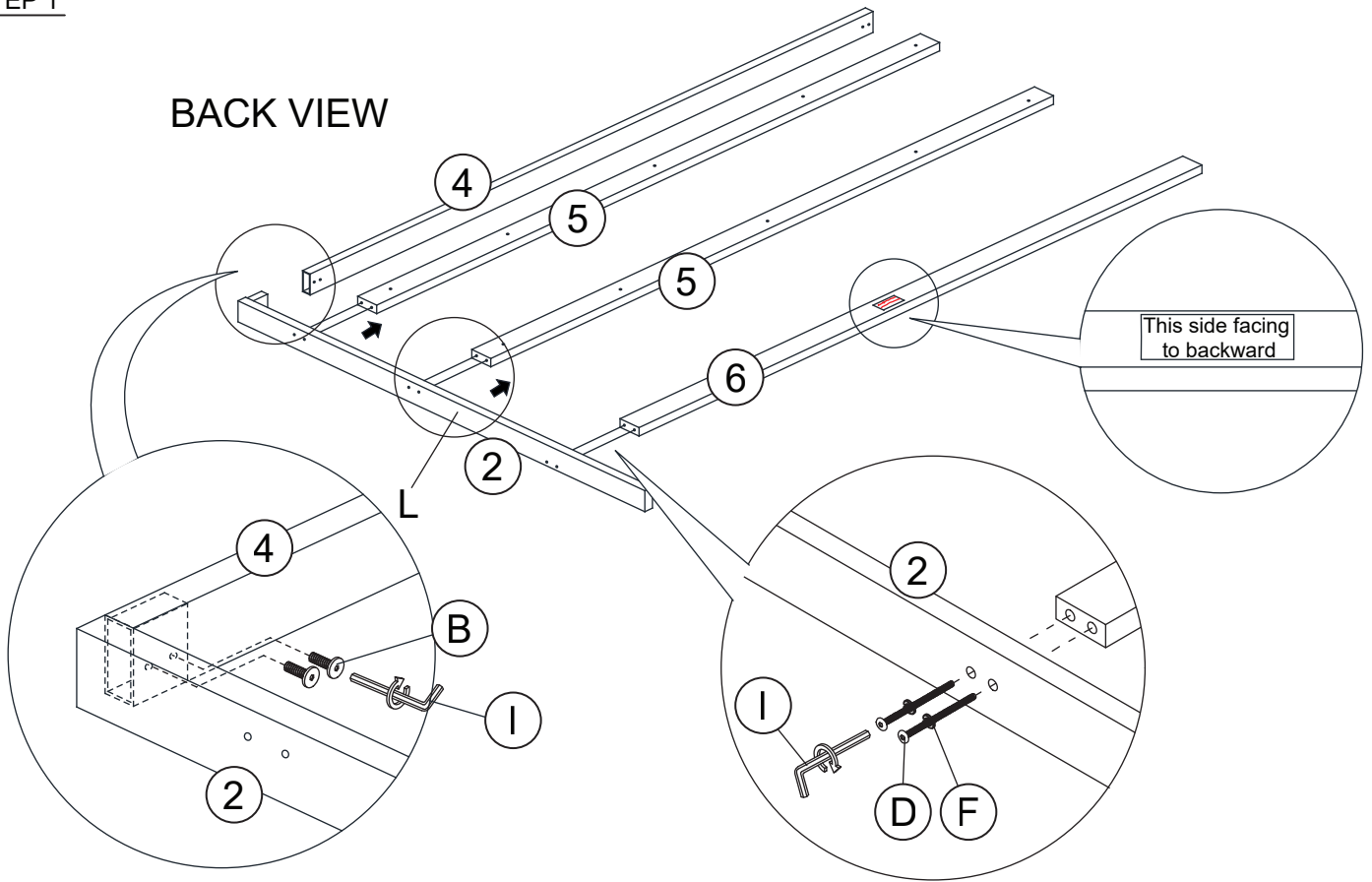
## PARTS ' LOCATION



# KING BED ASSEMBLY INSTRUCTION

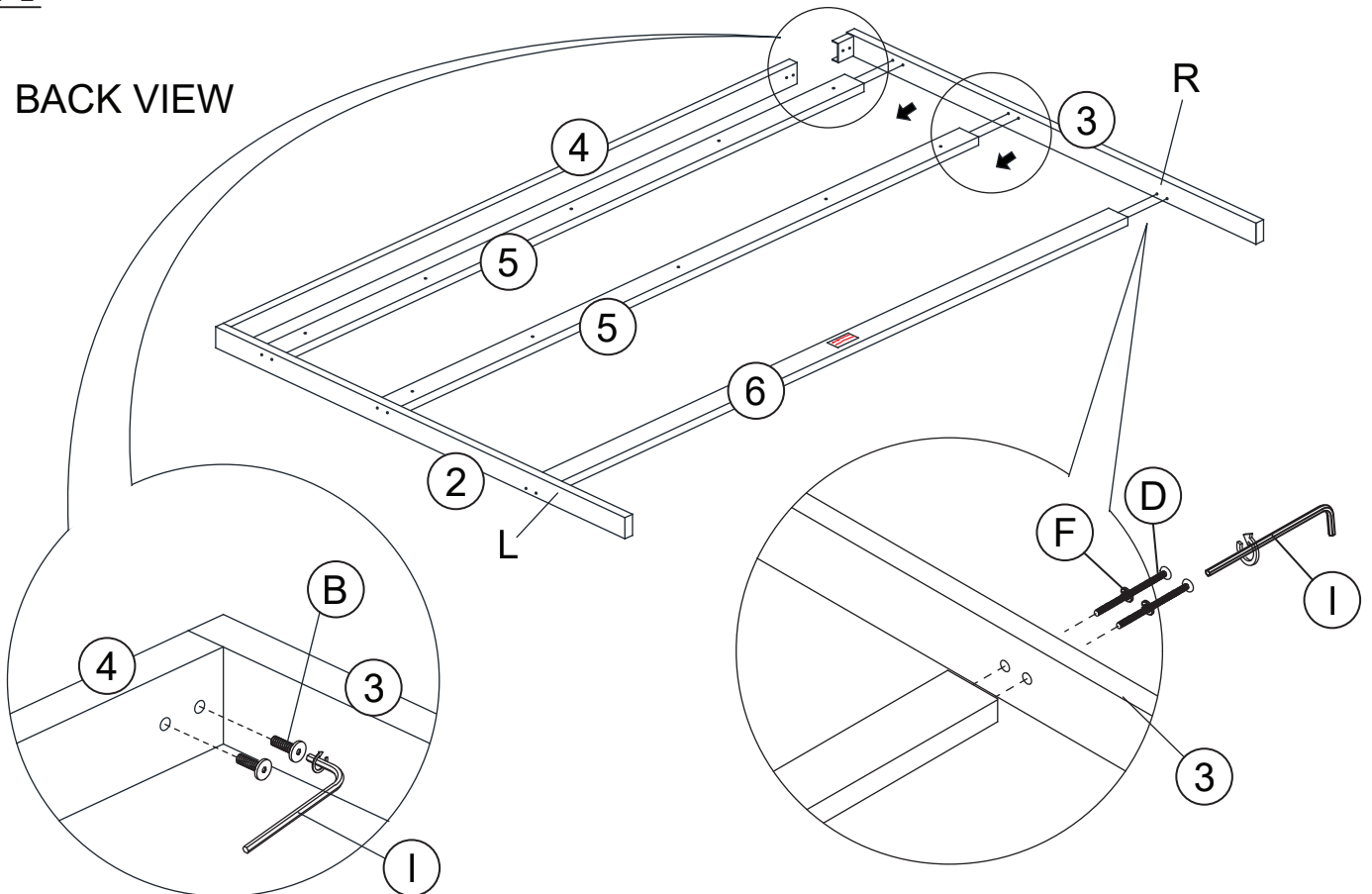
## STEP 1

BACK VIEW



## STEP 2

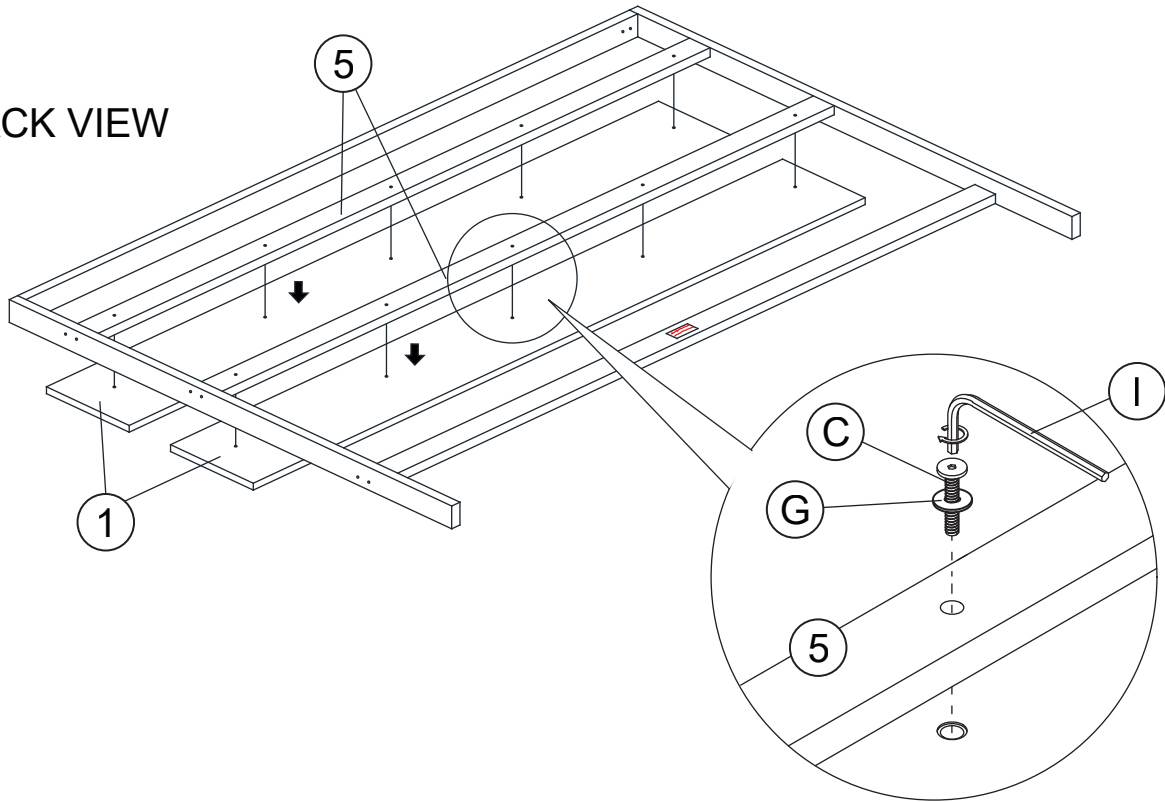
BACK VIEW



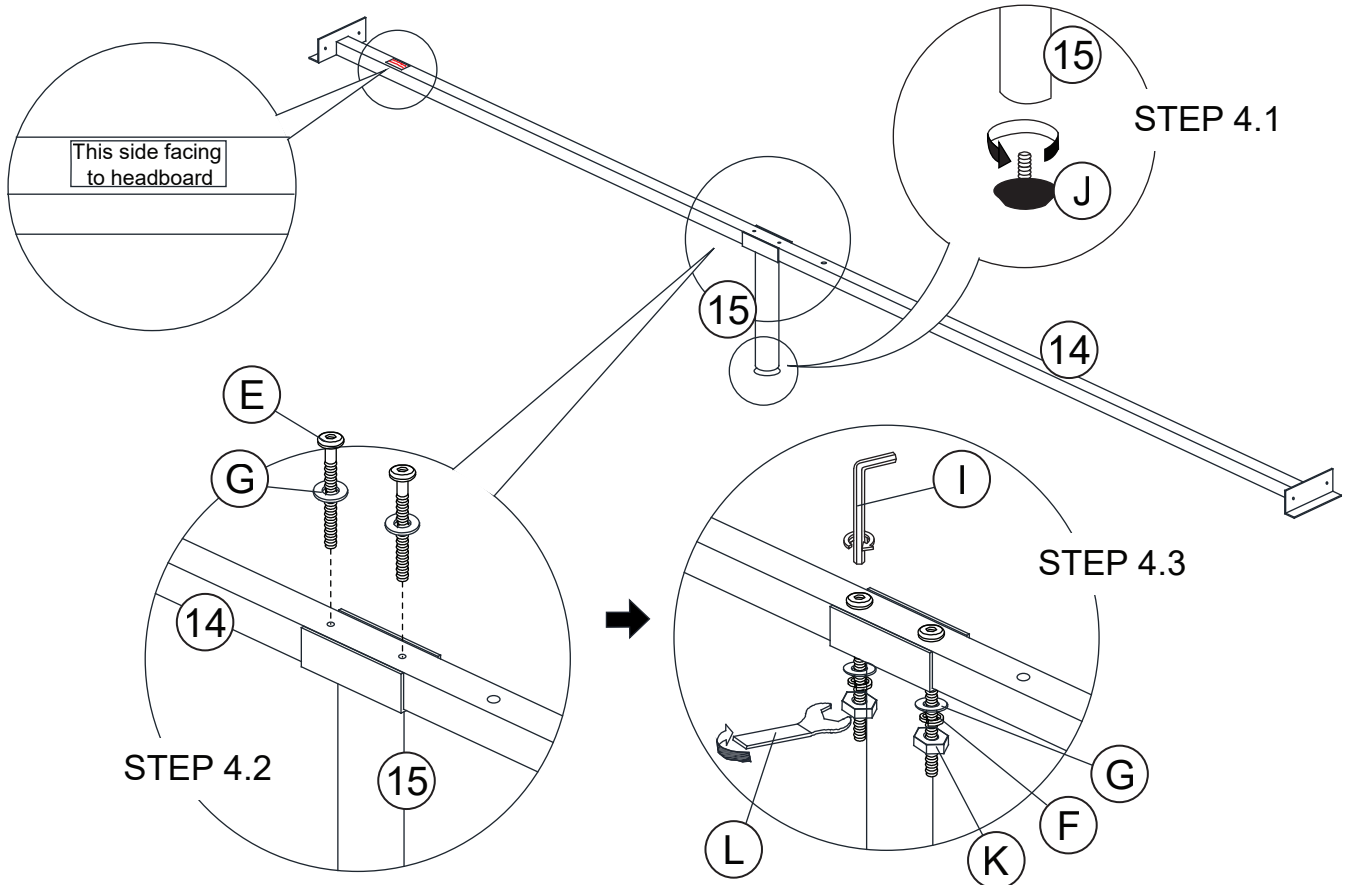
# KING BED ASSEMBLY INSTRUCTION

## STEP 3

BACK VIEW

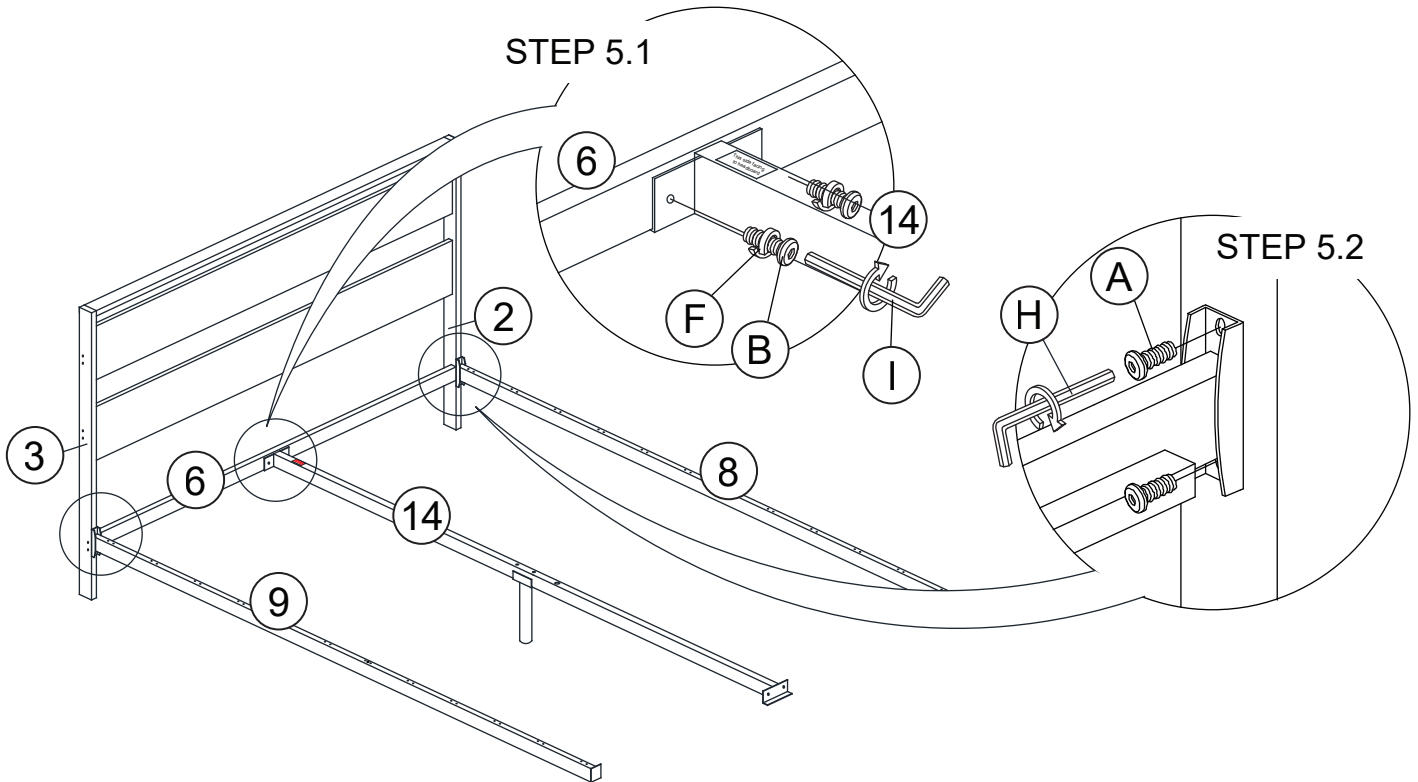


## STEP 4

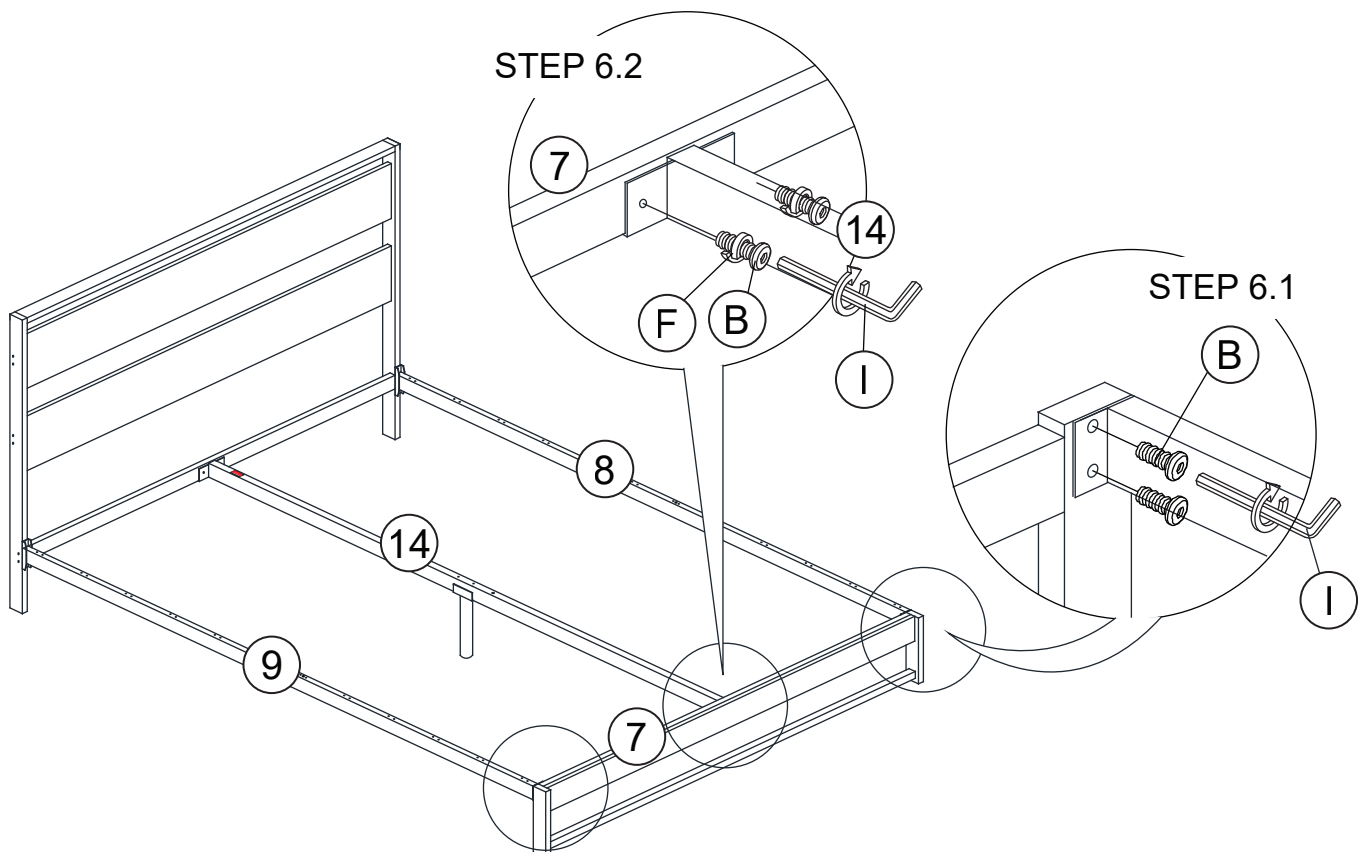


# KING BED ASSEMBLY INSTRUCTION

## STEP 5

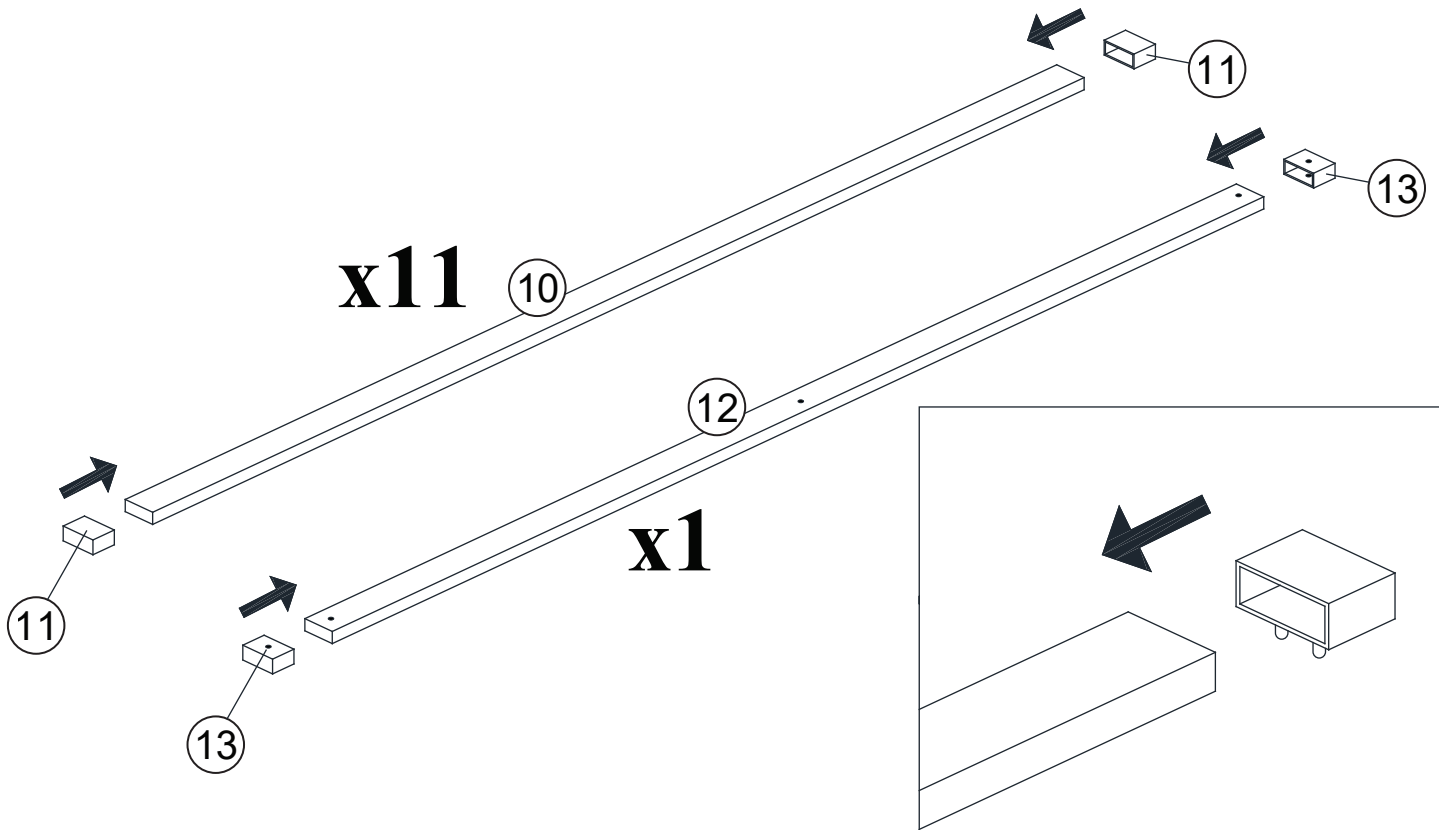


## STEP 6

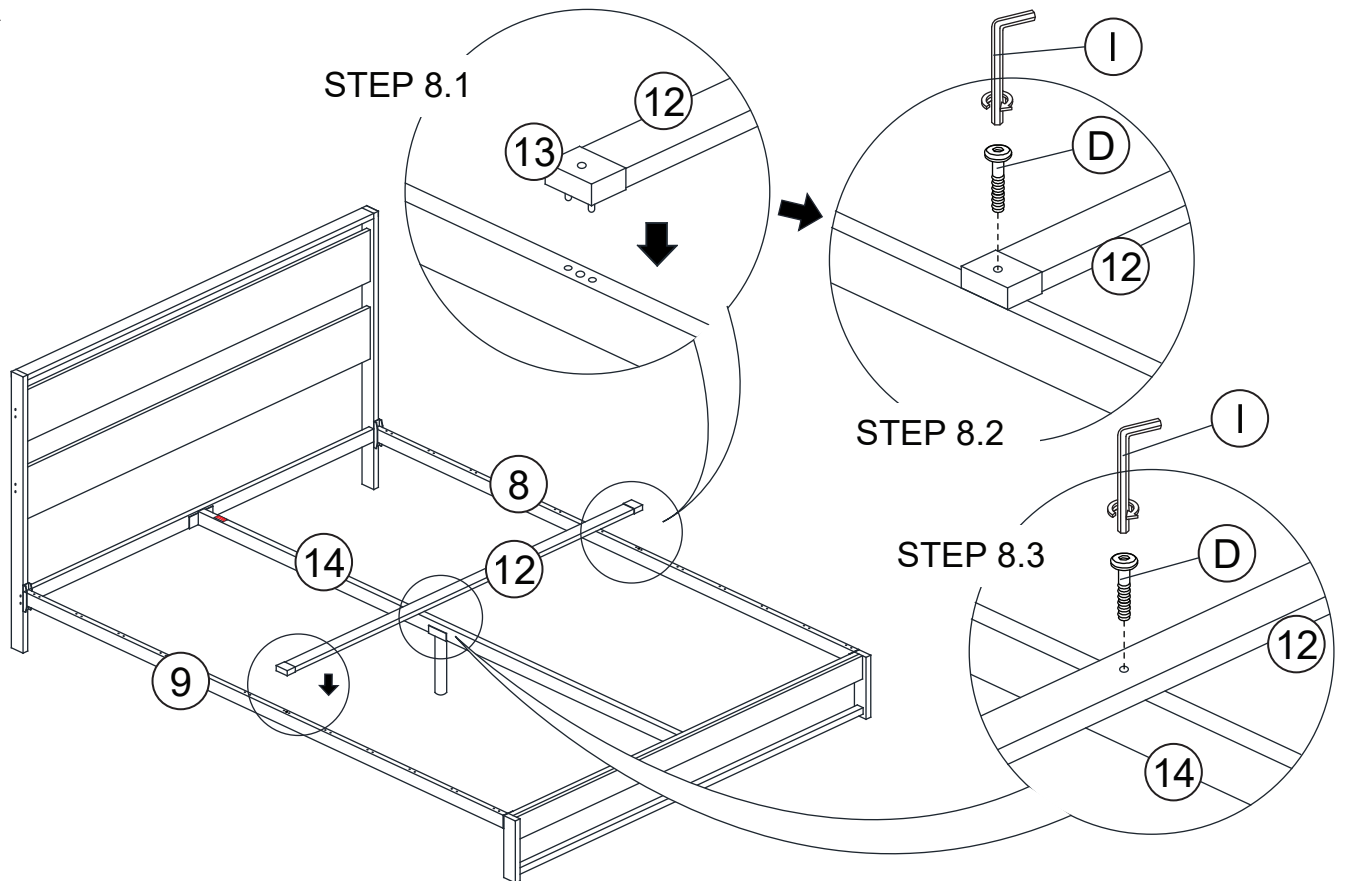


# KING BED ASSEMBLY INSTRUCTION

## STEP 7

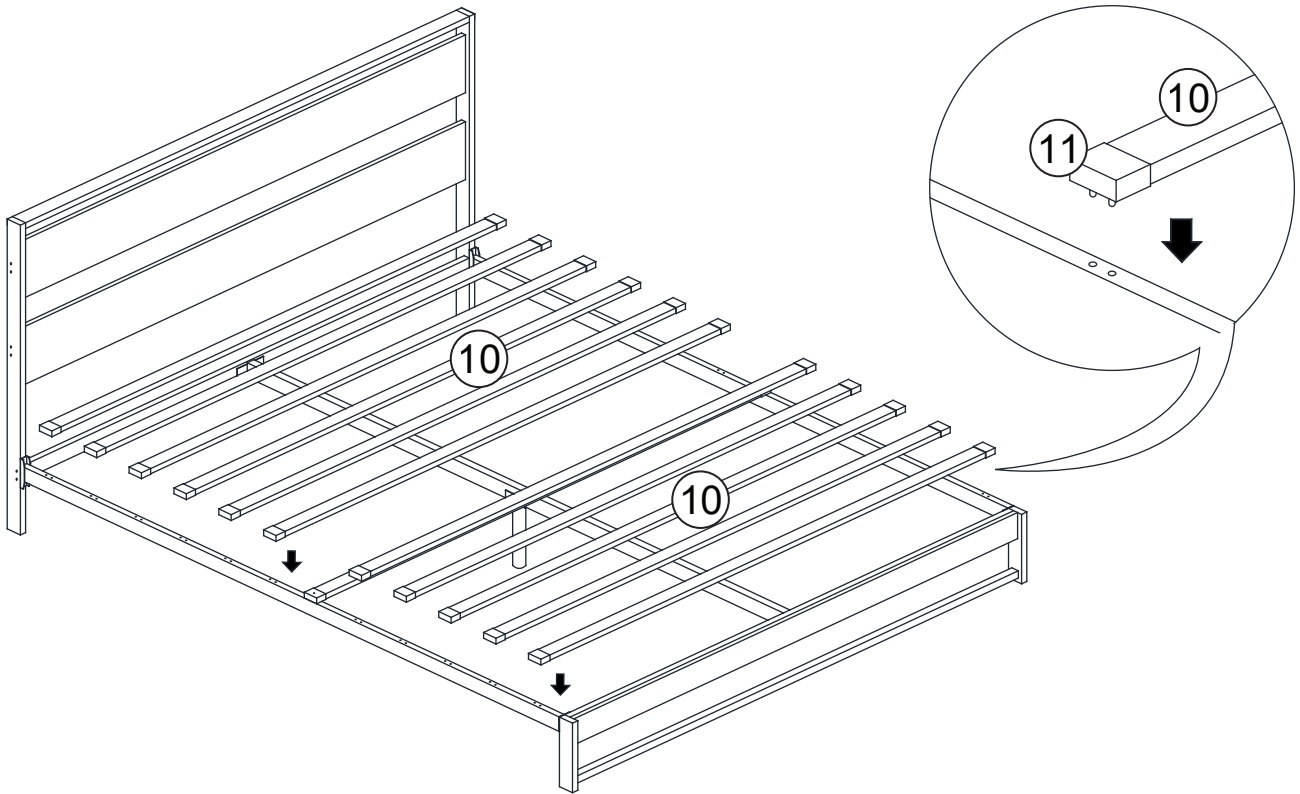


## STEP 8

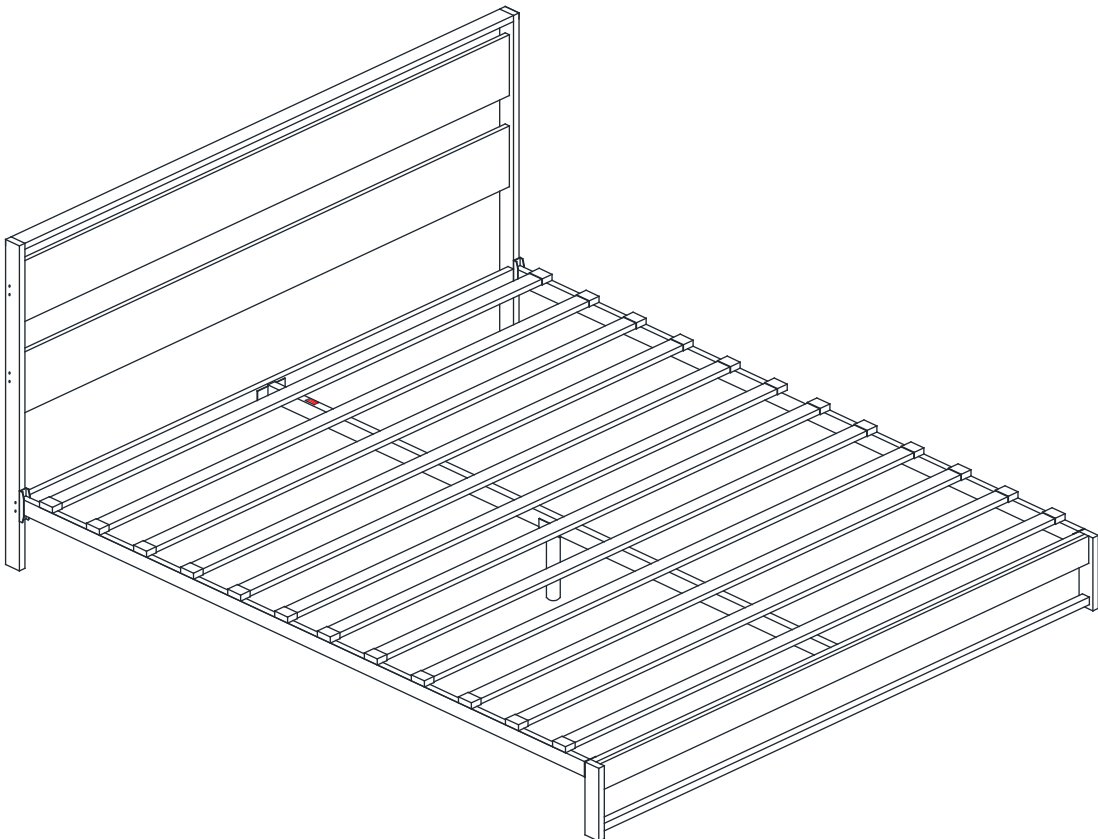


# KING BED ASSEMBLY INSTRUCTION

## STEP 9



## STEP 10



**ASSEMBLY COMPLETED**