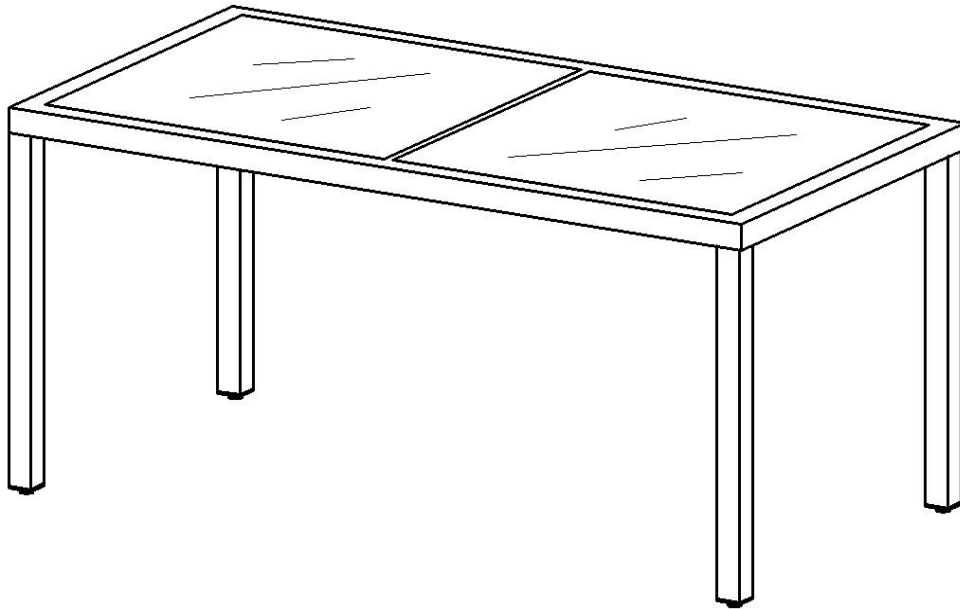


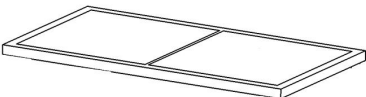

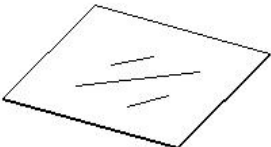
Assembly Instructions

Caution : You must read this before you proceed


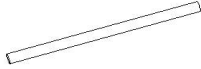





Table



Parts List

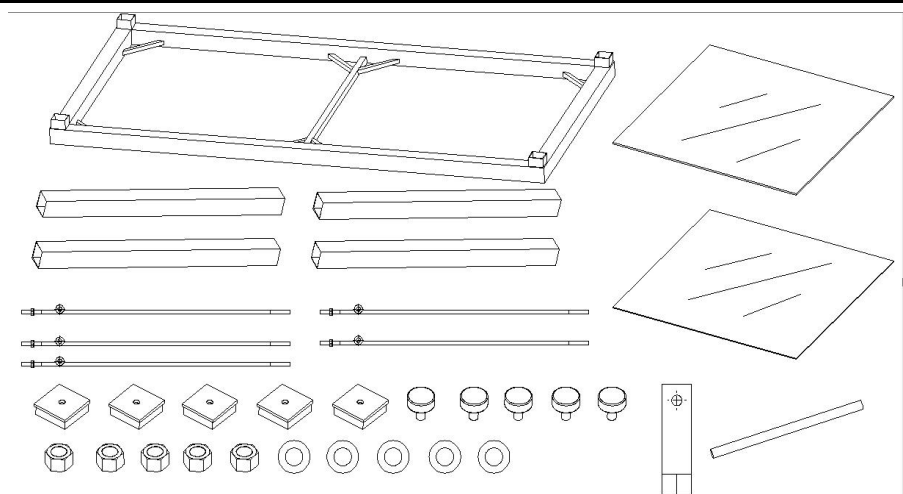
Label	Picture	Description	QTY
A		Table Top (Without Glass)	1
B		Leg	4
C		Glass	2

Hardware

Label	Picture	Description	QTY
①		Iron Bar (Nut at one end)	5
②		Handle	1
③		Socket Wrench	1
④		Nut (M10)	5
⑤		Washer	5
⑥		Leg Cap	5
⑦		Adjustable Glider Foot	5

Assembly Preparation

Before Beginning Assembly:



- Read instructions, cover to cover-



- Have 2 adults on hand for assembly-



- Do not assemble on flooring or carpet-



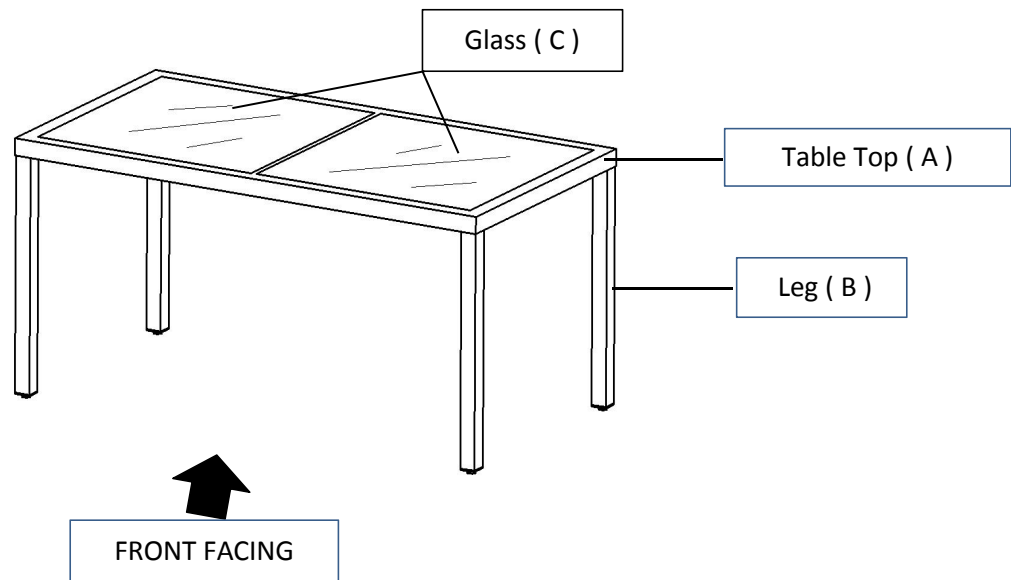
- Assemble on a clean non-marring surface (packing foam)-



- Save all packaging until finished-

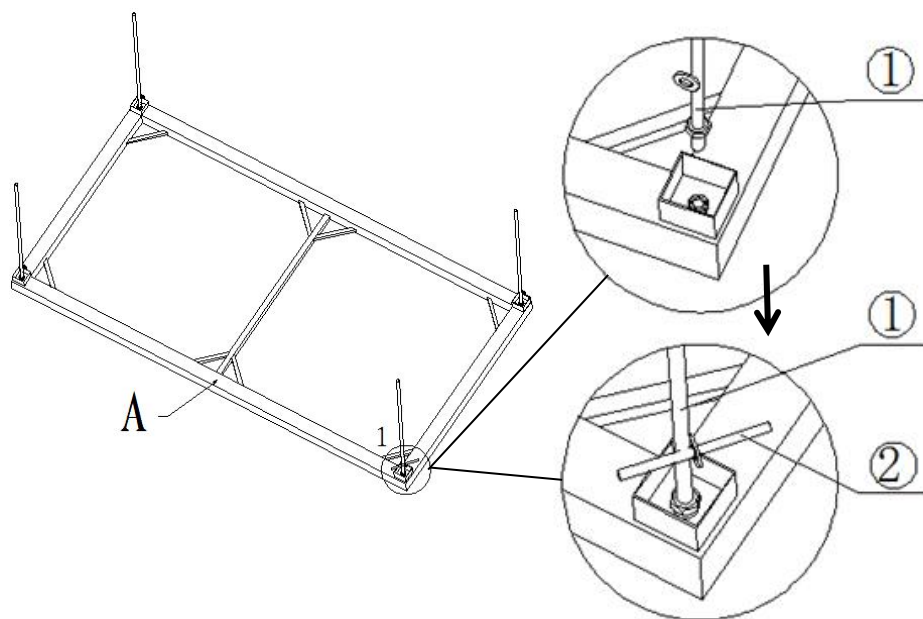
Assembly Steps

Overview



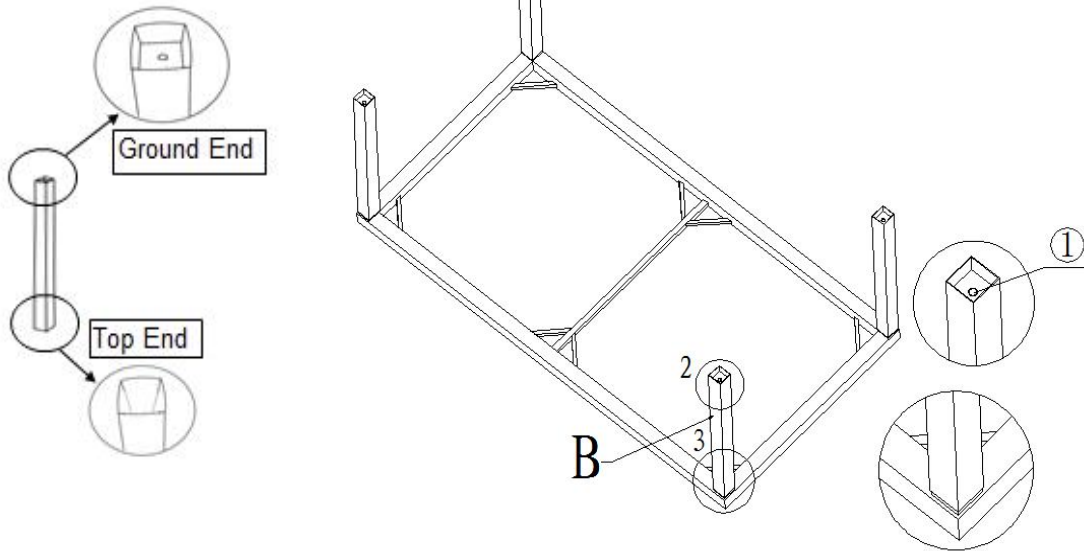
This Table has multiple parts and may require up to 30 minutes to assemble. To give you an overview of the Table parts, the above picture is to help you put the various parts into perspective. Please read through the instructions below to familiarise yourself with the parts and steps before assembly.

Step 1



Position the Table Top(A) facedown on a clean, non-marring surface.
Insert Iron Bar(①) with Nut downward into mounting position at the corner of the Table Top(A) and tighten with Handle(②) until locked into position.
Repeat the same process with the remaining three Iron Bars(①).
Fully tighten all Iron Bars.

Step 2



Insert the Leg(B) onto the Iron Bar(1) as pictured above.

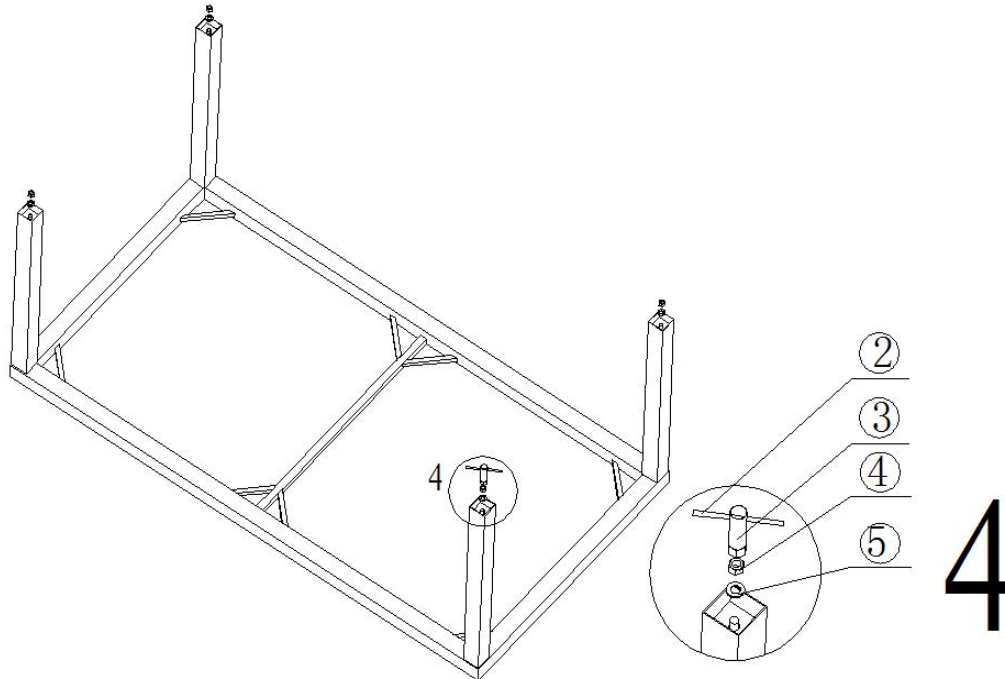
Thread the Iron Bar(1) through the mounting position at the base of the Leg(B) until threading on the Iron Bar(1) is clearly visible.

Note: The mounting position is on the bottom end of the Leg(B).

Hold and align the Leg(B), until the Leg is Square and flush with the Table corner.

Repeat this process with the three remaining Legs(B).

Step 3

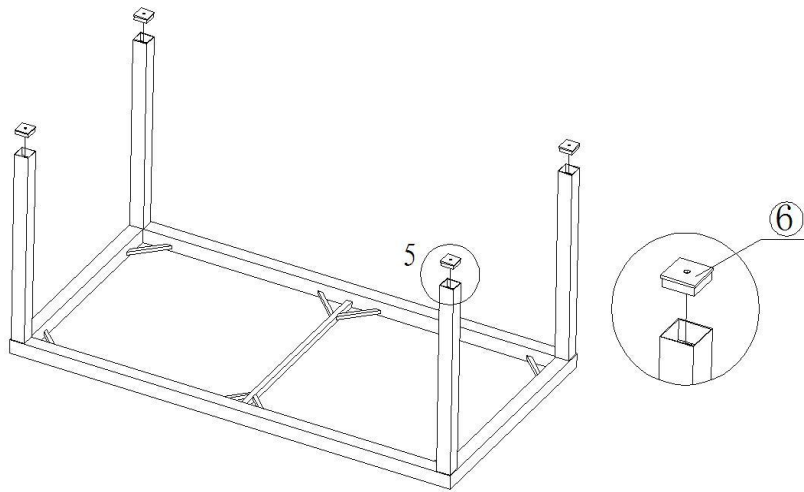


Attach Leg(B) to Table Top(A) by placing a Washer(5) and Nut(4) onto the Iron Bar(1) and tightening with Socket Wrench(3) & Handle(2).

Repeat the same process with the other three Legs.

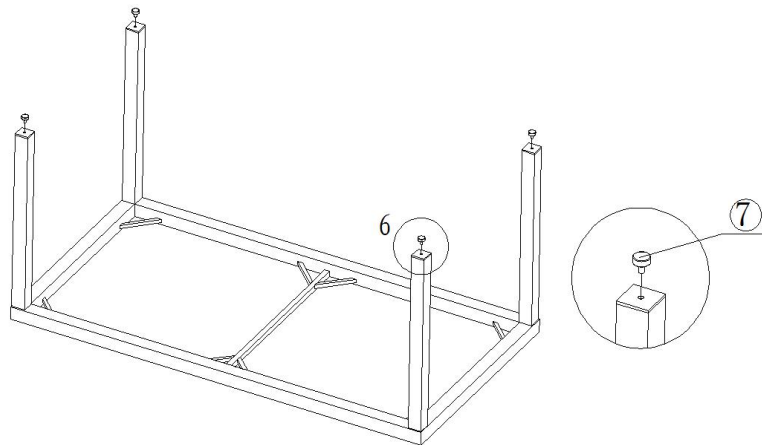
Tighten the Nuts fully in a sequential manner.

Step 4



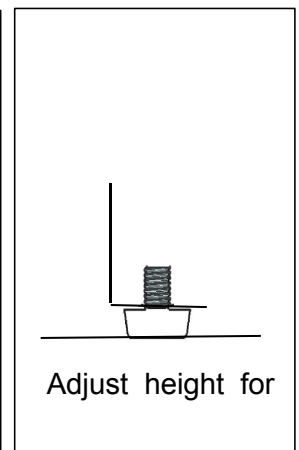
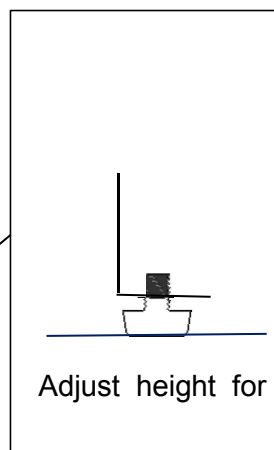
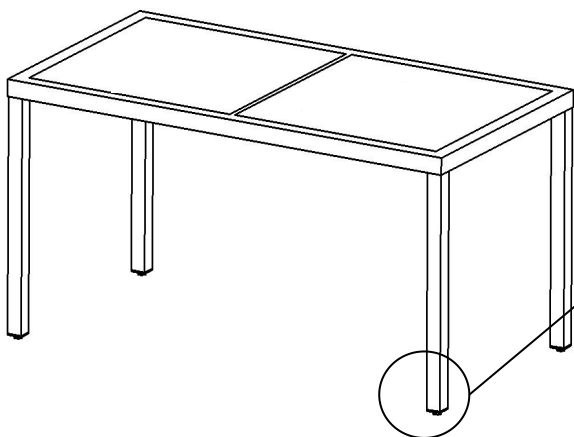
Insert Leg Caps(⑥) into the base of the Legs(B) as pictured above.

Step 5



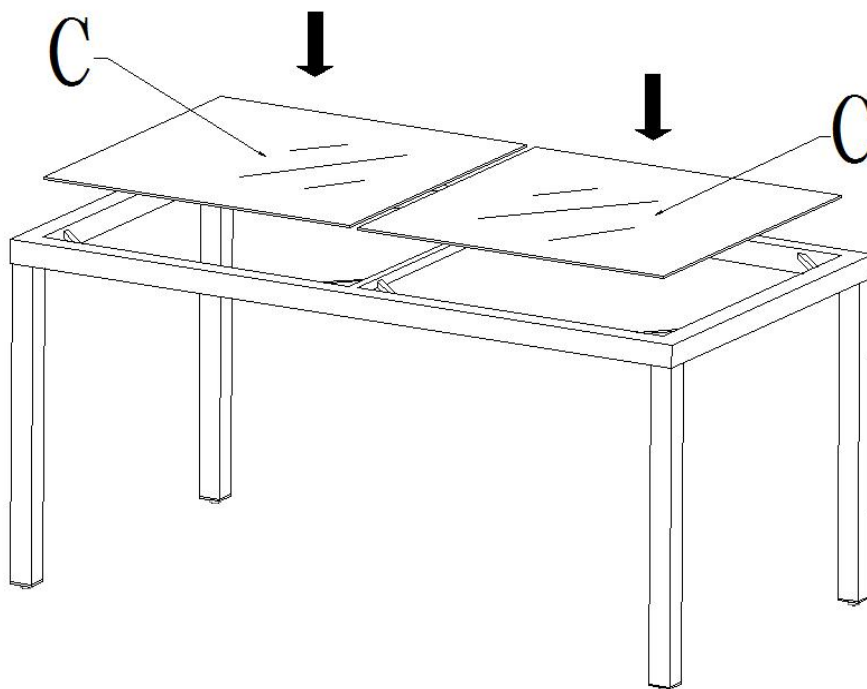
Screw Adjustable Glider Feet(⑦) into mounting positions on Leg Caps(⑥) by hand.

Step 6



Then, with the assistance from an adult partner, stand the Table up.
Turn the Legs Adjustable Glider Feet(⑦) until the Table is level with the ground.
**To adjust Glider Feet, with the help from an adult partner, tilt the Table to rest on two feet.
Adjust the Glider Feet to the desired height to avoid wobbles.**

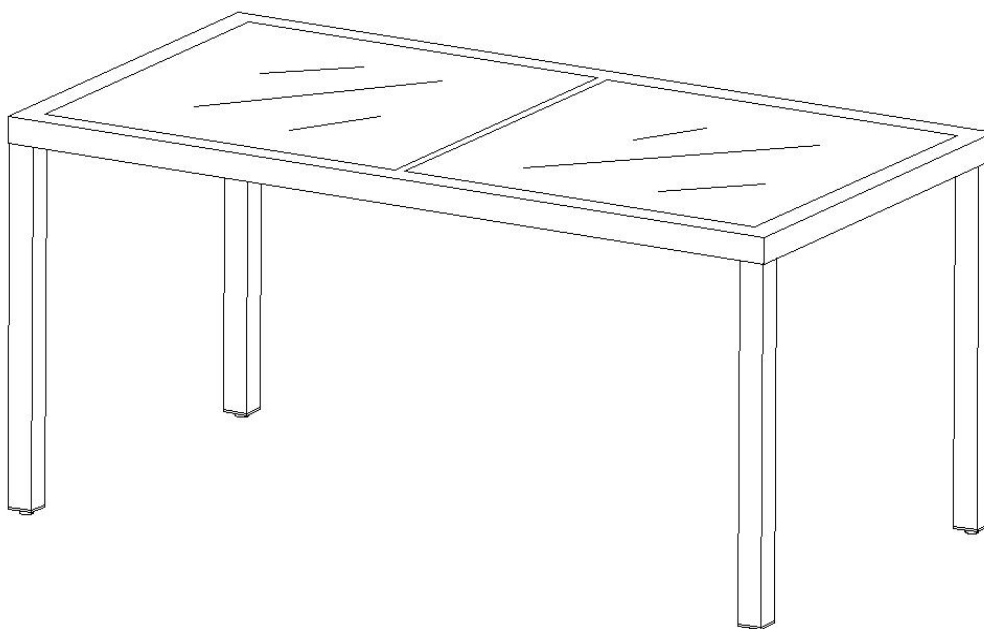
Step 7



Carefully place the Glass(C) onto the Table Top.

This process is best performed with an adult partner. Be careful to keep hands and fingers away from pinch points.





















Step 8



Your Table is ready for use.

This Table can only be used on a flat, level surface.

Care & Maintenance

-   Do not put hot items directly on furniture surface
 -   Do not clean furniture with harsh cleansers or polish.
 -   To obtain the longest lifespan of your outdoor products, minimizing exposure to direct sunlight is recommended.
 -   Children should not climb or jump on the furniture.
 -   Do not write on furniture without a padded barrier to protect the surface.
 -   To obtain the longest lifespan of your outdoor products, avoid extended and lengthy exposure to rain, snow, and direct sunshine. Whenever possible cover the product and /or place under patio or awnings.
 -   Not for commercial use. For residential use only .
 -   Stains may be removed with mild soap solution and damp cloth.
 -   Keep away from sources of ignition.
-
-   Dust and pick-up spills using a clean, non-colored, lint-free cloth .

What is Proposition 65?

Proposition 65 is a California law that requires warning labels on products that may contain one of more than 800-plus chemicals or ingredients that the California Office of Environmental Health Hazard Assessment (OEHHA) has deemed to cause cancer or other reproductive toxicity. Chemicals and elements on this list include wood dust, brass, and other everyday substances, which can be found in very common household items, such as: lamps, tableware, jewelry, crystal glasses, electric cords, beauty products, automobiles, and furniture.

Why Did I Find a Proposition 65 Warning on My Home Goods Product?

We include Proposition 65 warnings on all of our products because there is always a chance that one of the 800-plus common chemicals and ingredients listed under this law could potentially be on our furniture or packing materials. We risk large fines under this law, if we don't include this warning.

Should I worry?

We realize you may be worried finding this warning on our products, but we want to reassure you that the hazardous exposure limits for any of these chemicals have never been found on furniture products that we've shipped to our customers. Additionally, this warning label is very common and can be found on almost every piece of furniture sold in the state of California.

Just How Common Are Proposition 65 Warnings?

Proposition 65 warnings have become so common in California that it is hard to take a trip to a local bank, grocery store, or restaurant without finding at least one warning. In fact, even the Disney Land Resort has a Proposition 65 warning:

