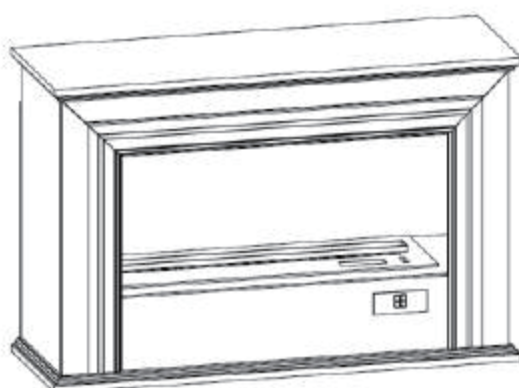


IMPORTANT INSTRUCTIONS AND OPERATING MANUAL

ELECTRIC FIREPLACE



SMFP

NO VENTING REQUIRED

WARNING

Read and understand this entire owner's manual, including all safety information before plugging in or using this appliance. Failure to do so could result in fire, electric shock, or serious personal injury.



+1(503)928-7812


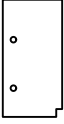
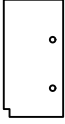
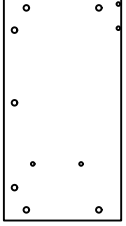
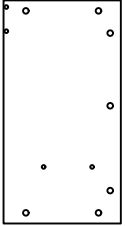
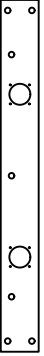


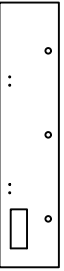
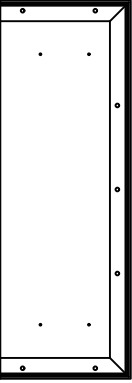

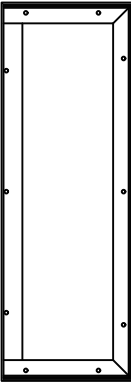
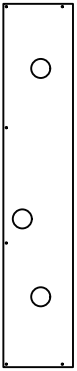
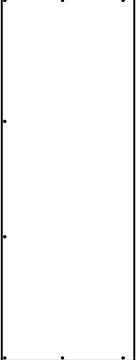


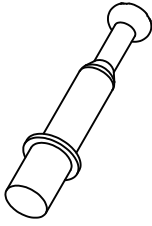

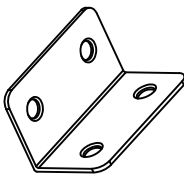



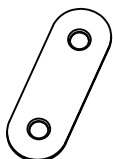
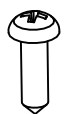
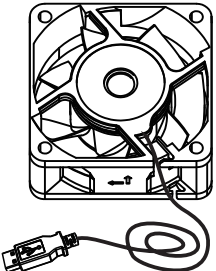
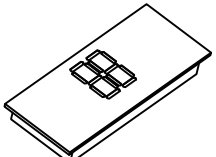
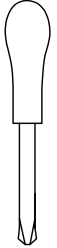
hellovitesse@gmail.com

Please choose SMS or email as your first choice for communicating with us.

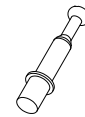
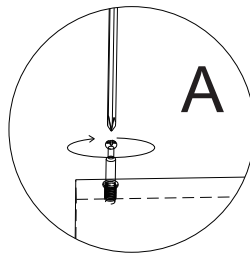
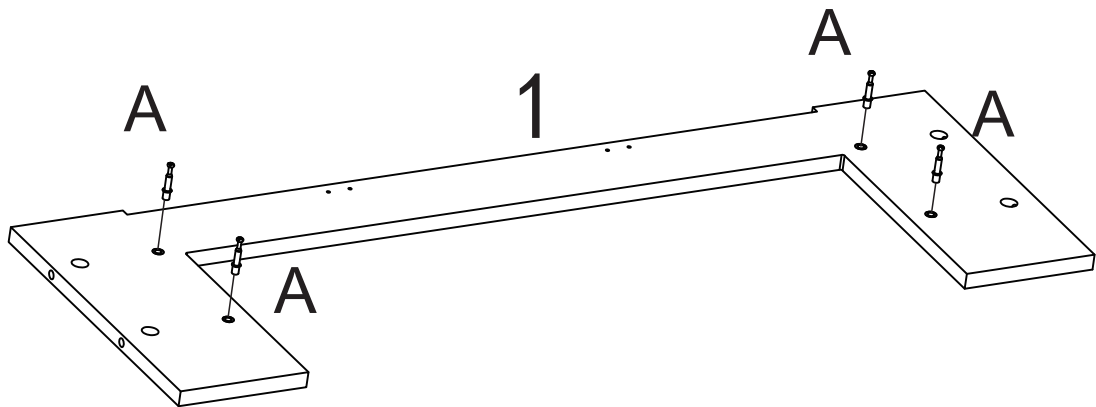
THIS EQUIPMENT IS CERTIFIED BY CANADIAN AND AMERICAN NATIONAL STANDARDS : ETL



<p>1</p> 	<p>2</p> 	<p>3</p> 	<p>4</p> 
<p>5</p> 	<p>6</p> 	<p>7</p> 	<p>8</p> 
<p>9</p> 	<p>10</p> 	<p>11</p> 	<p>12</p> 
<p>13</p> 	<p>14</p> 		

<p>A</p>  <p>x35</p>	<p>B</p>  <p>x35</p>	<p>C</p>  <p>x4</p>	<p>D</p>  <p>x20</p>
<p>E</p>  <p>x4</p>	<p>F</p>  <p>x8</p>	<p>G</p>  <p>x2</p>	<p>H</p>  <p>x14</p>
<p>J</p>  <p>x2</p>	<p>K</p>  <p>x1</p>	<p>L</p>  <p>x1</p>	

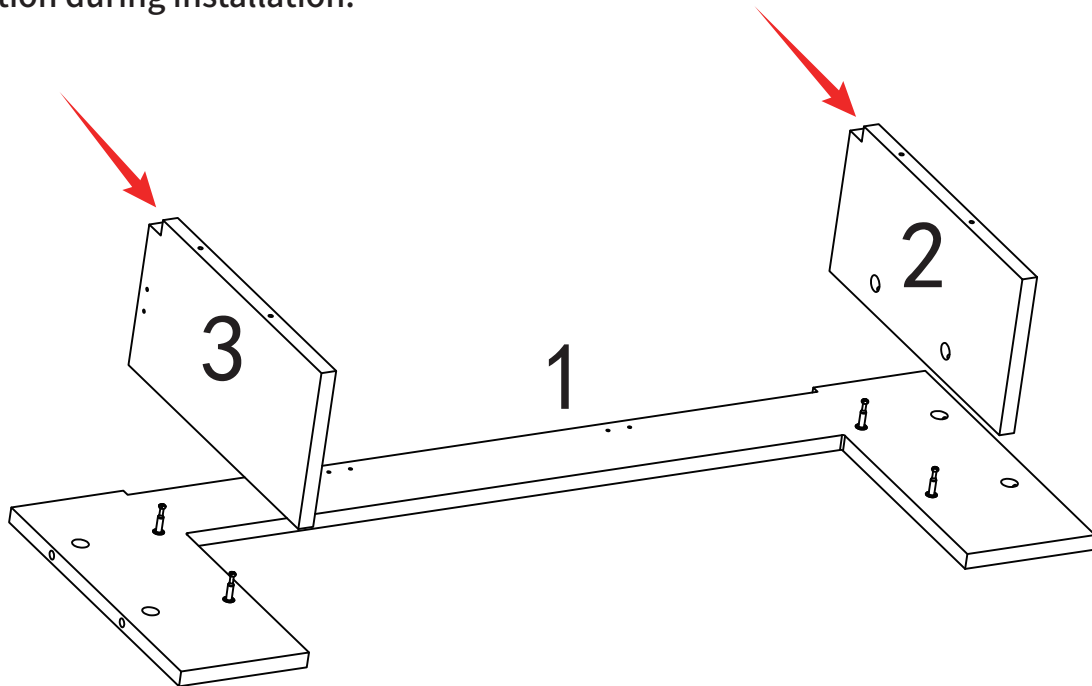
STEP 01



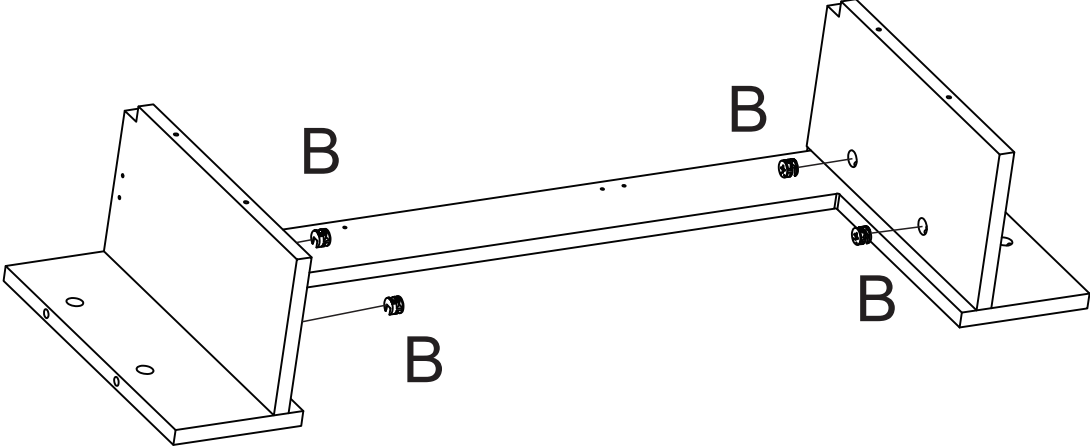
A x 4

STEP 02

Please note the screw holes and grooves on plates 2 and 3, and pay attention to their orientation during installation.

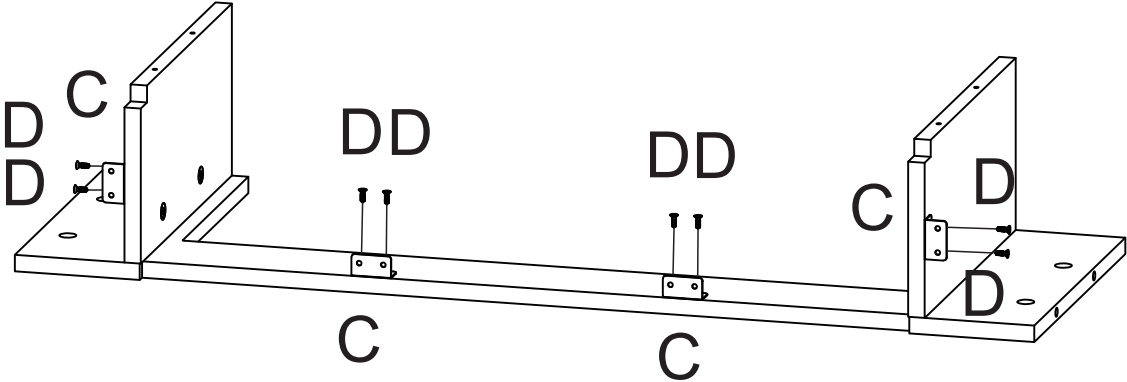


STEP 03



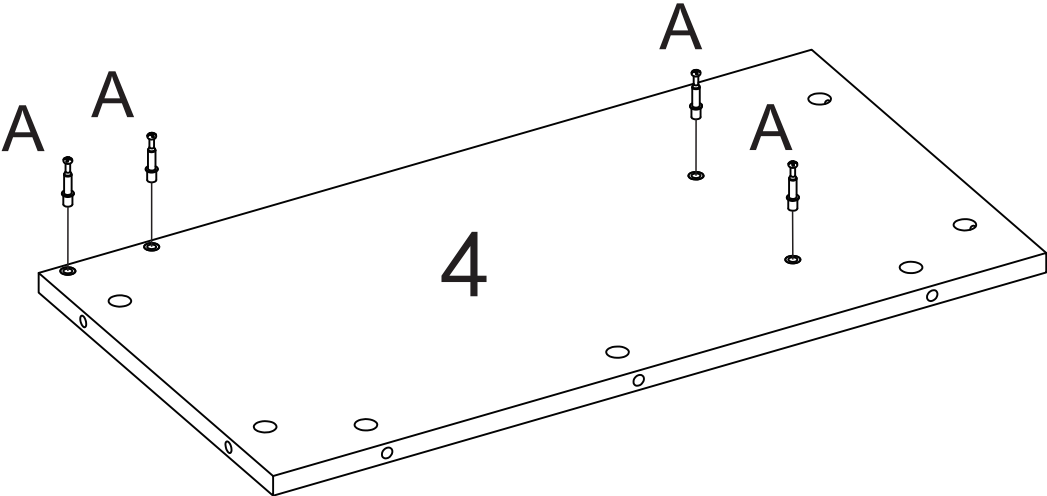
 B x 4

STEP 04

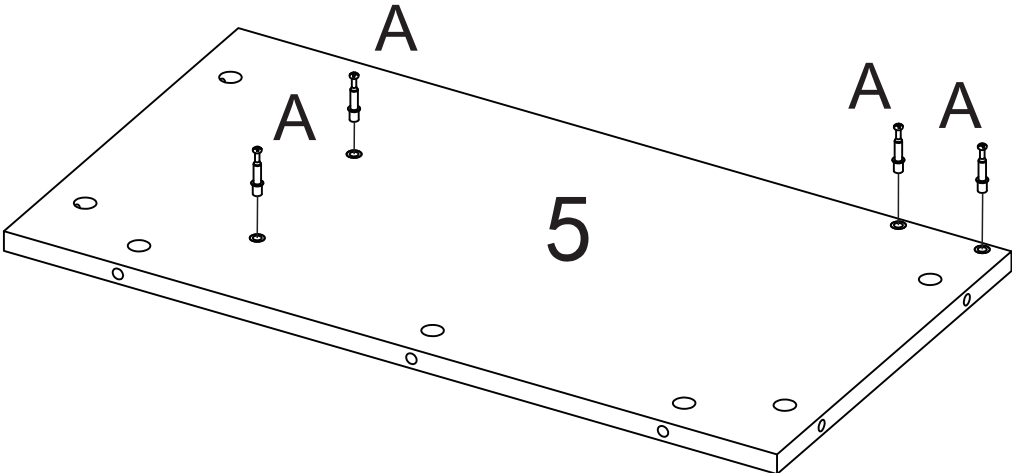


 C x 4  D x 8

STEP 05

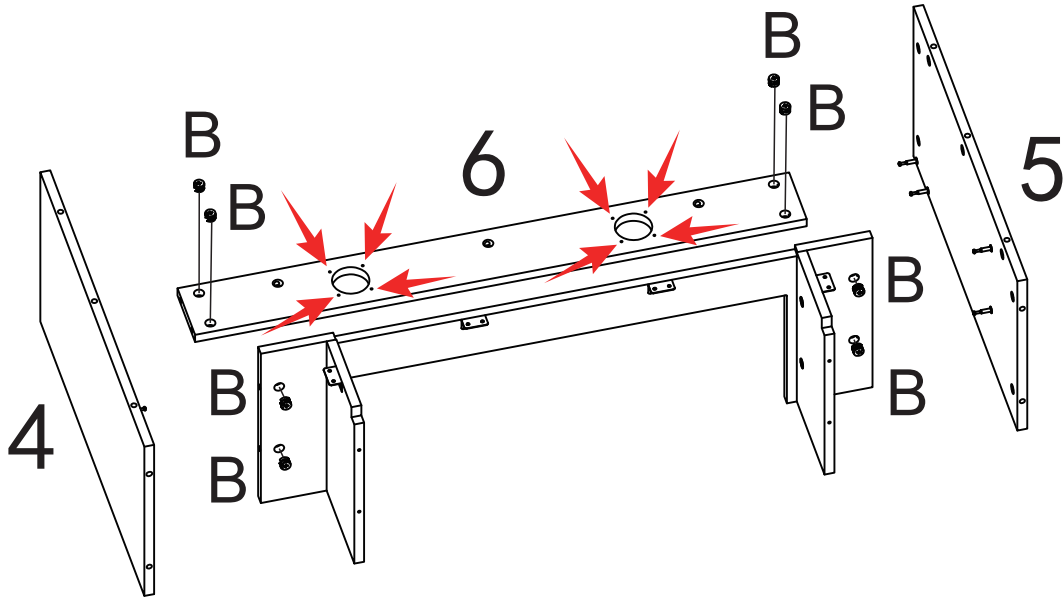


STEP 06



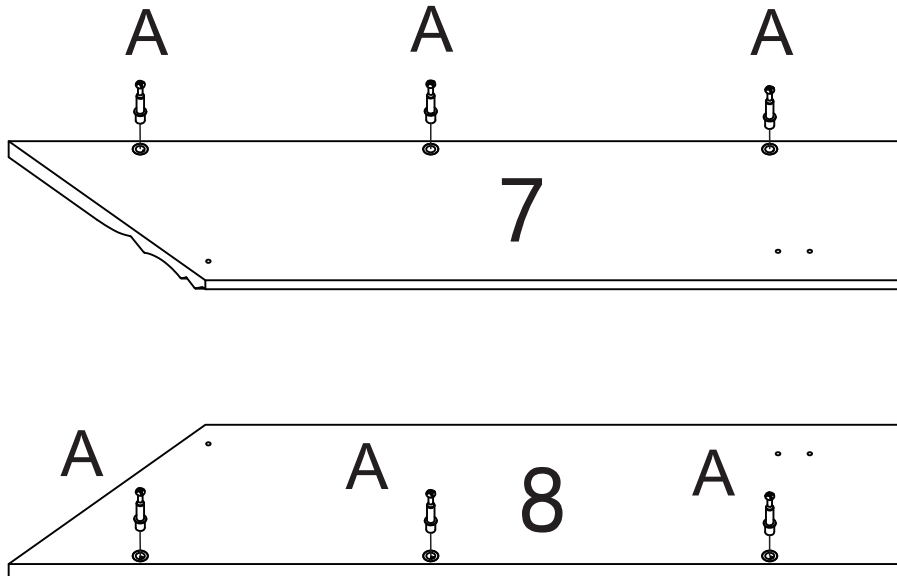
STEP 07

Please note that the arrow on plate 6 indicates the hole position, which must face upward.



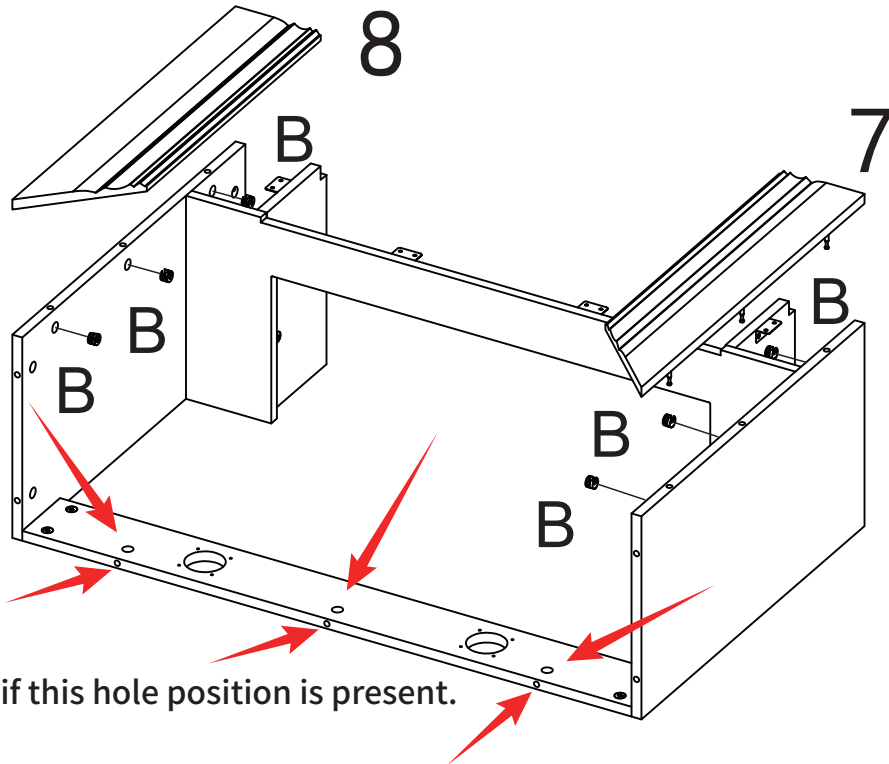
 **B x 8**

STEP 08



 **A x 6**

STEP 09

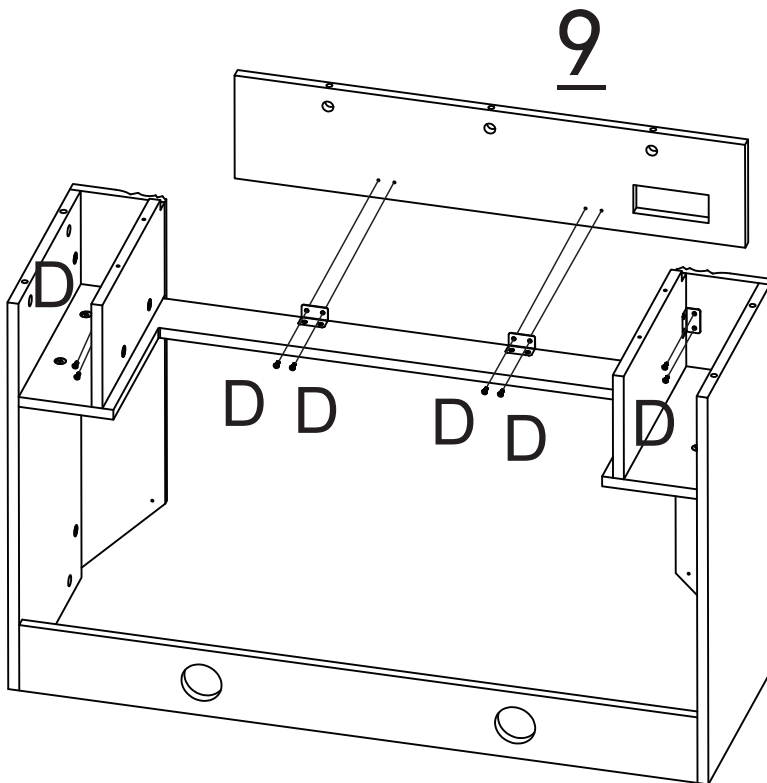


Please check if this hole position is present.

 B x 6

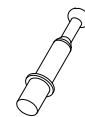
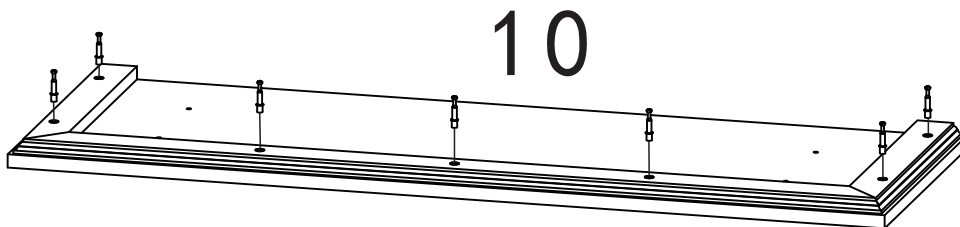
STEP 10

The installation requires the cooperation of two people.



 D x 8

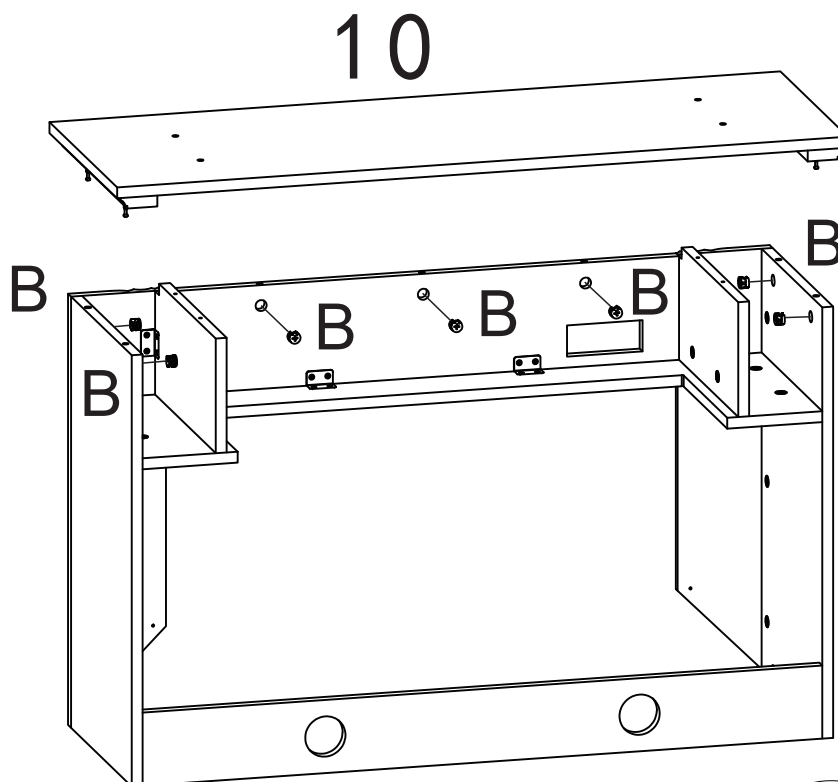
STEP 11



A x 7

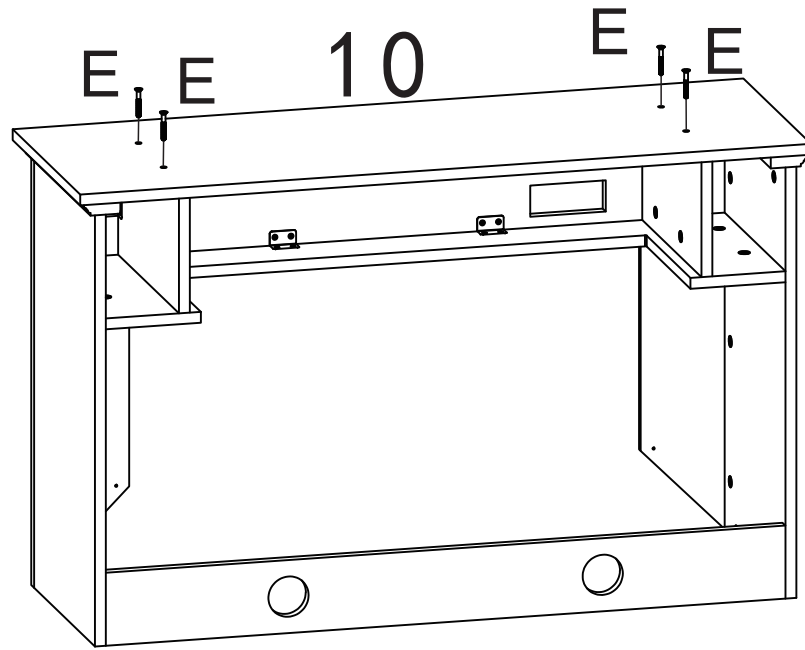
STEP 12

The installation requires the cooperation of two people.



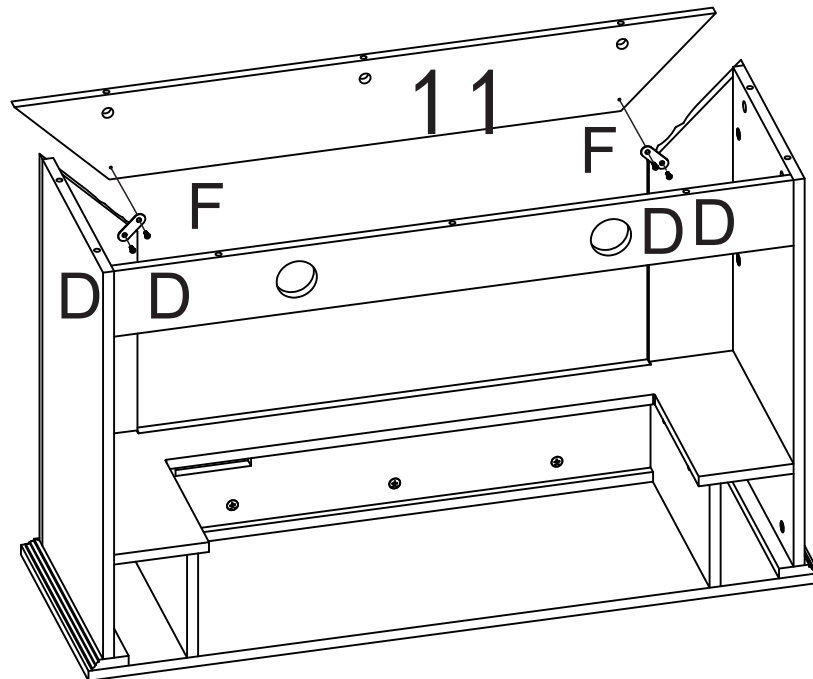
B x 7

STEP 13



 E x 4

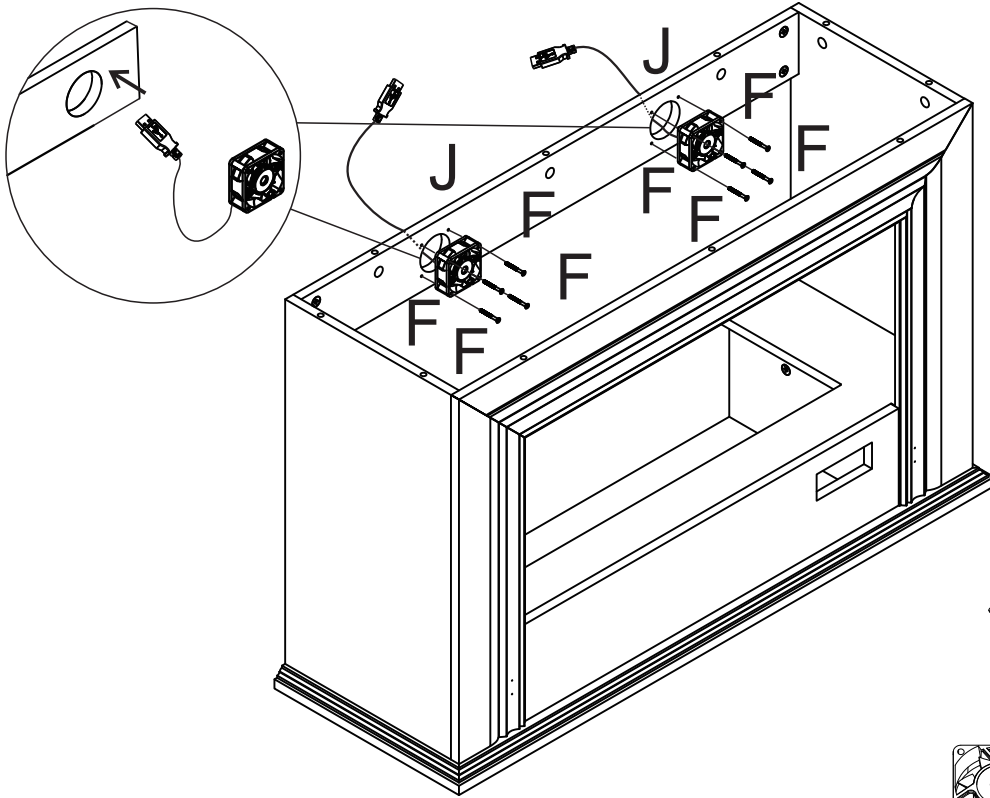
STEP 14



 F x 2  D x 4

STEP 15

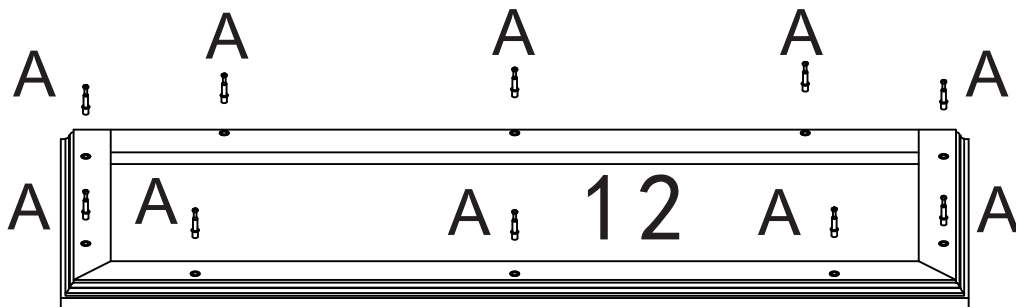
Please first pass the fan's USB cable through the J-plate before installing the fan.



 F x 10

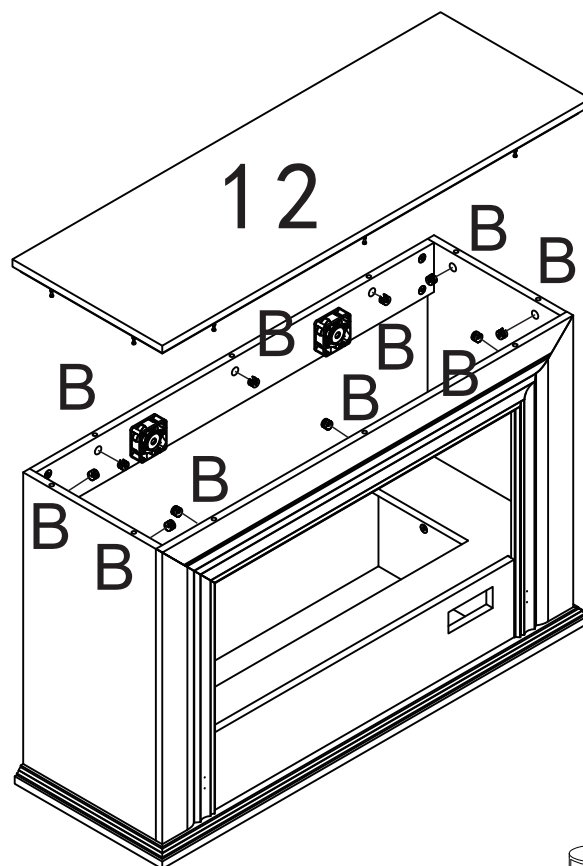
 J x 10

STEP 16



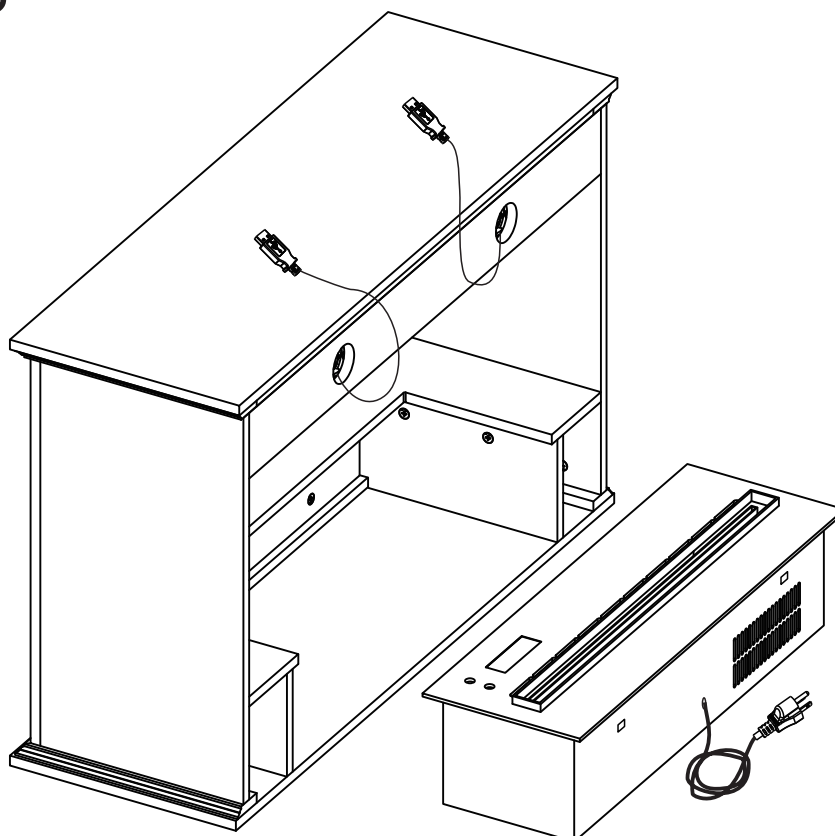
 A x 10

STEP 17

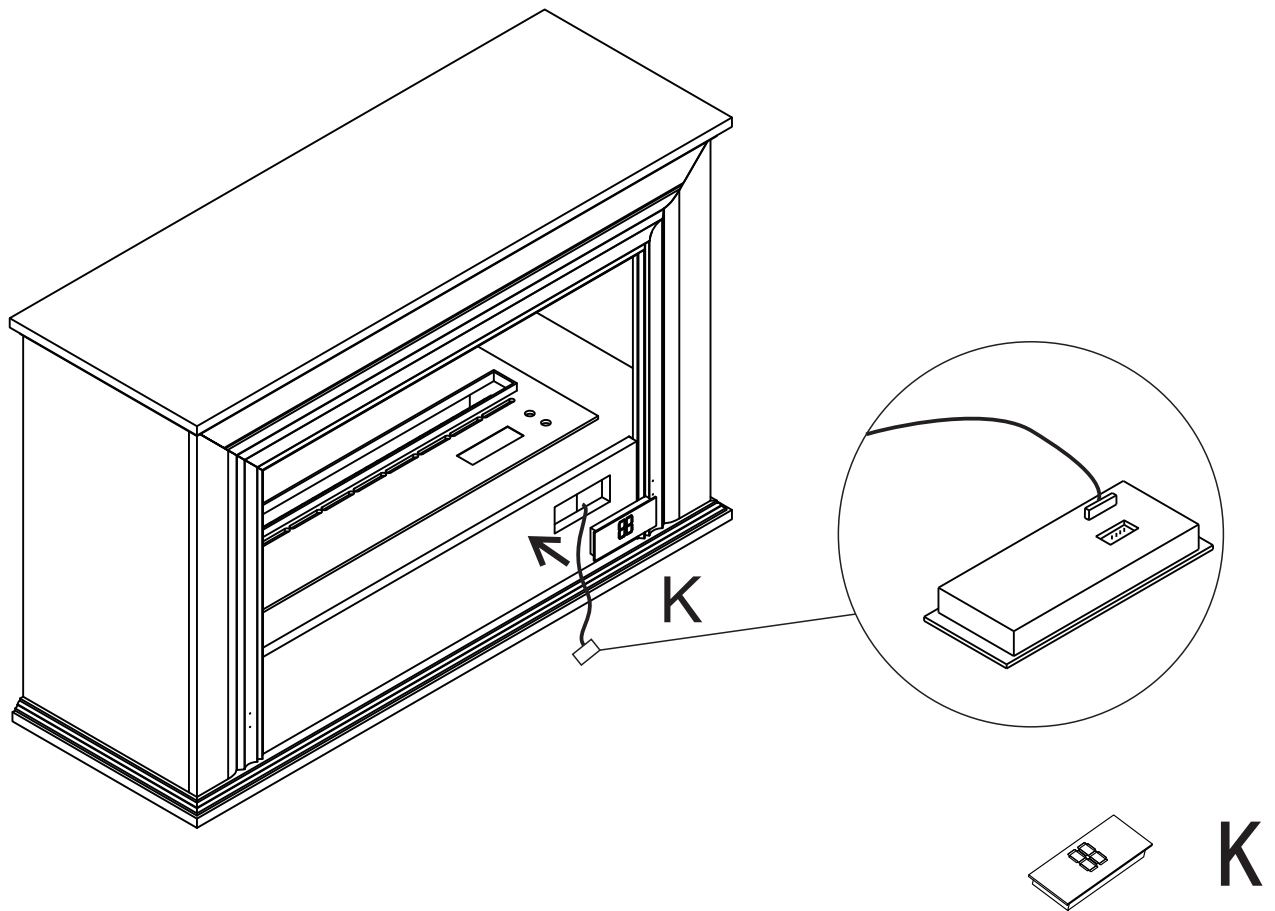


 B x 10

STEP 18

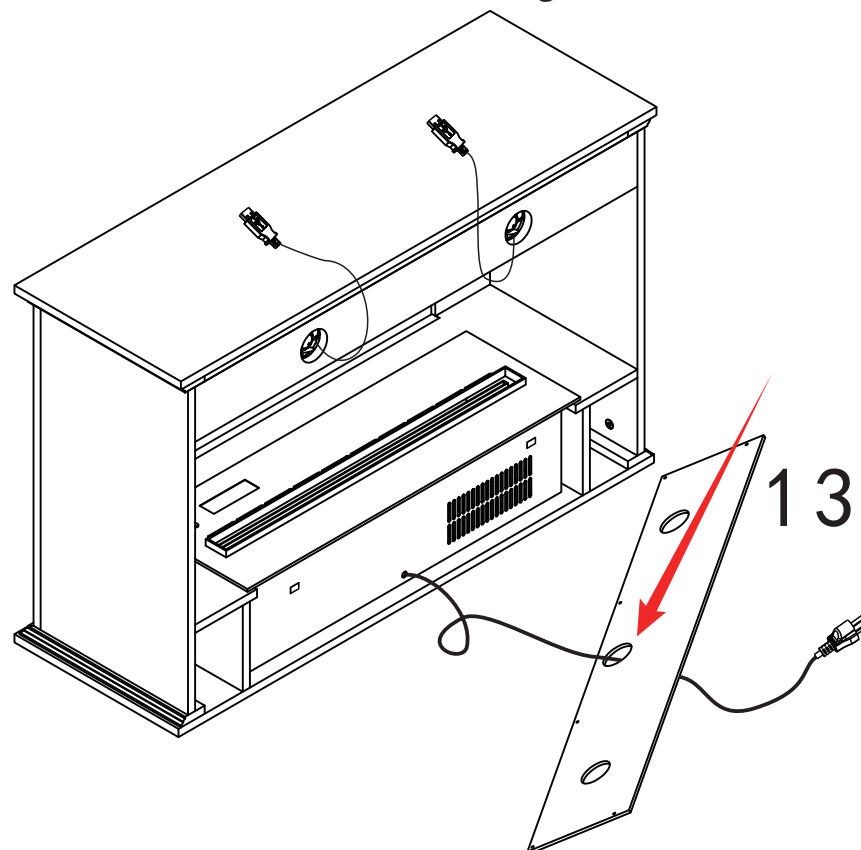


STEP 19

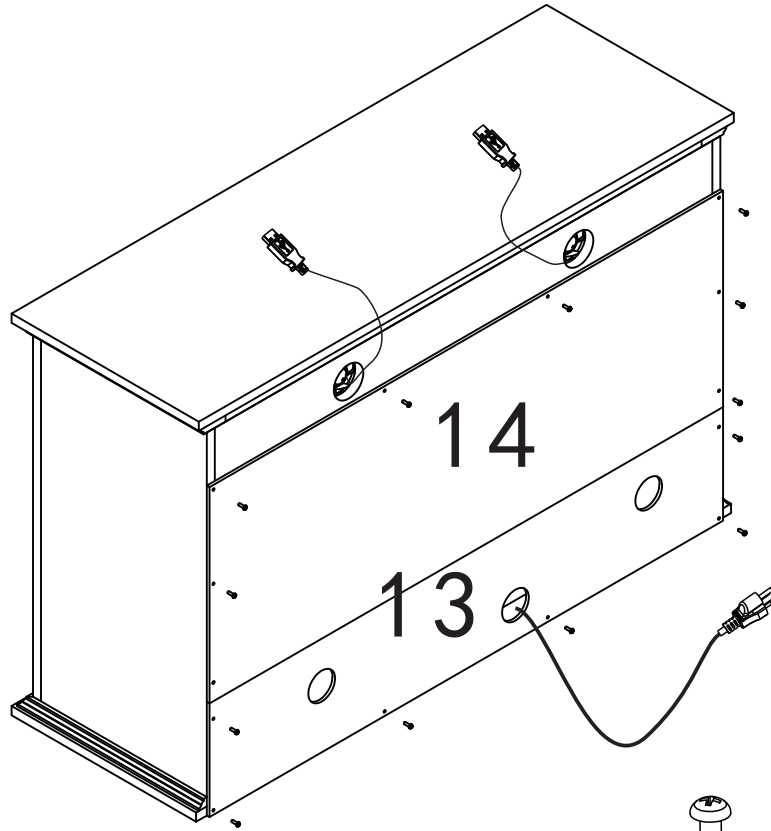


STEP 20

First, pass the power cable through plate 13 before securing the screws. Note that the openings on plate 13 are lower in the middle and higher on both sides.

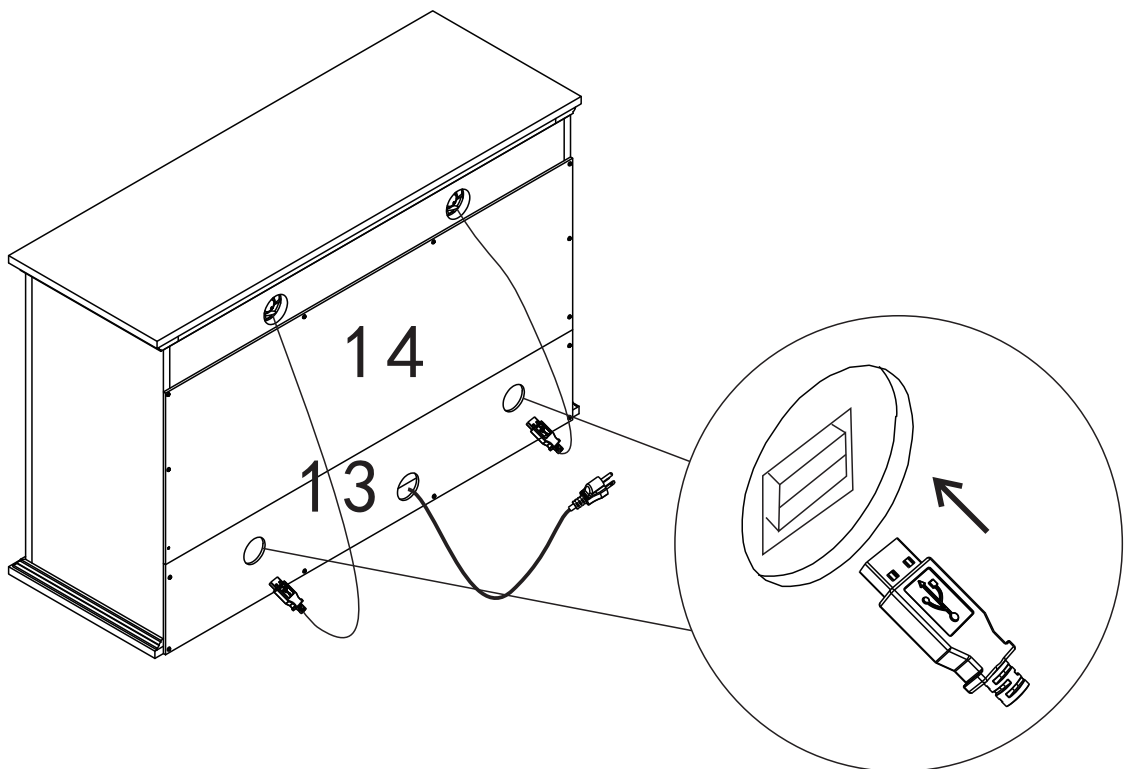


STEP 21



H x 14

STEP 22



FINISHED

