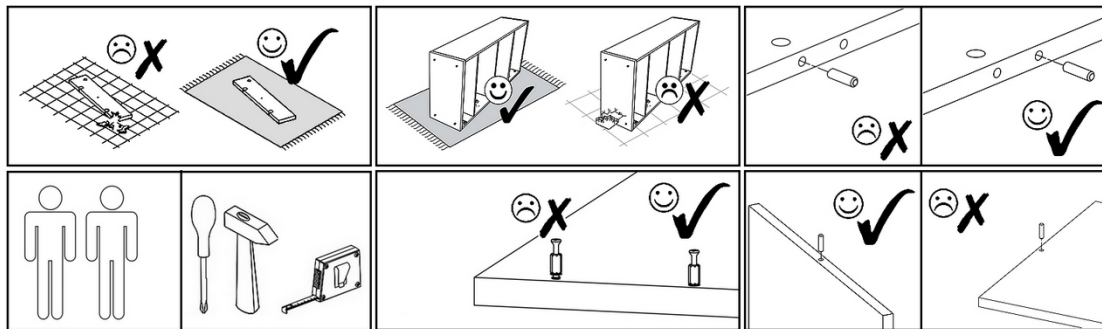
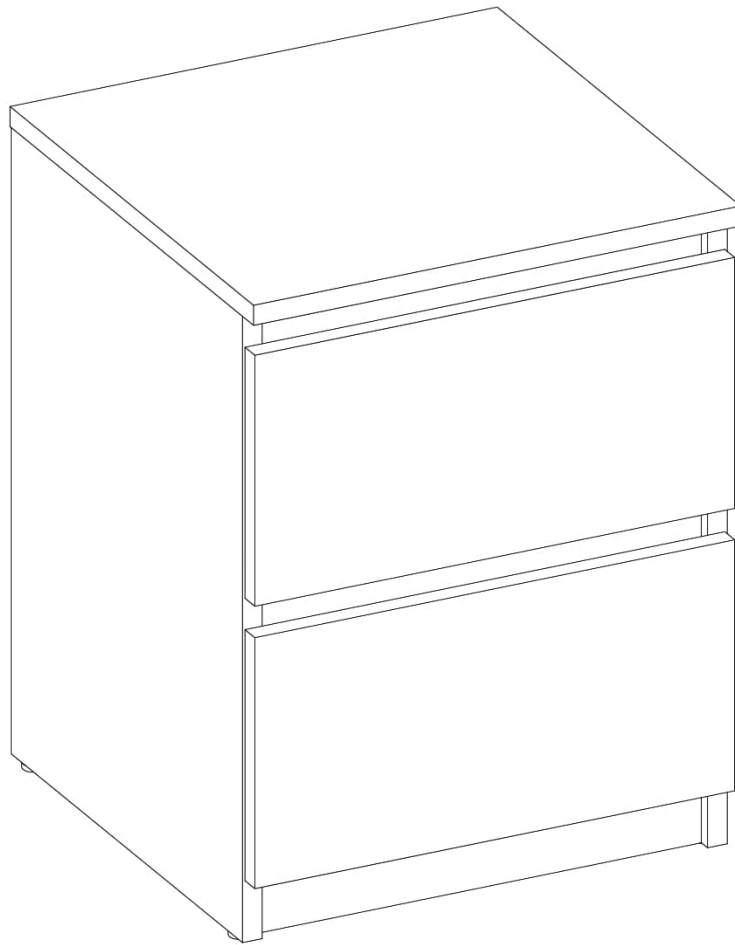


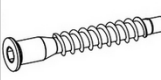

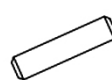



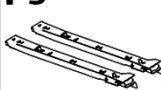



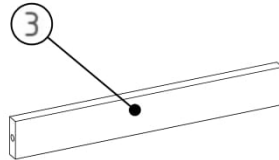
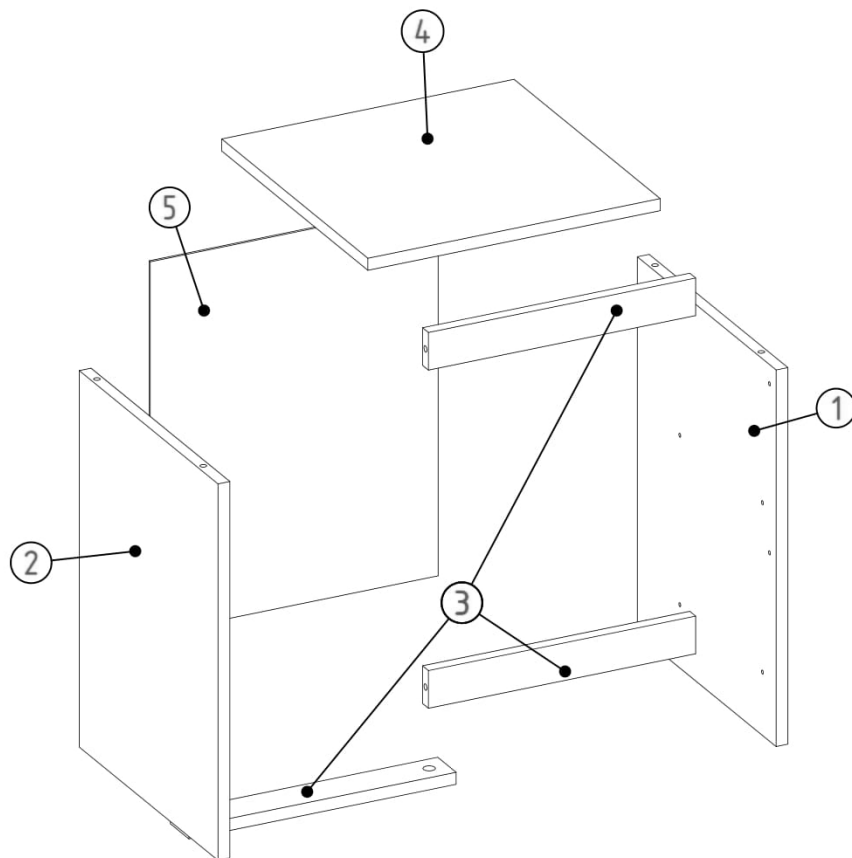


10.08.2021

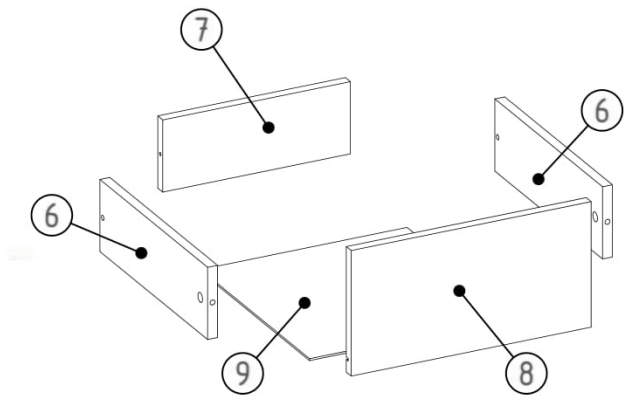
W2 LIFT



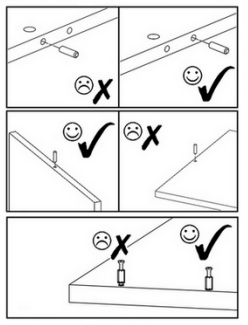
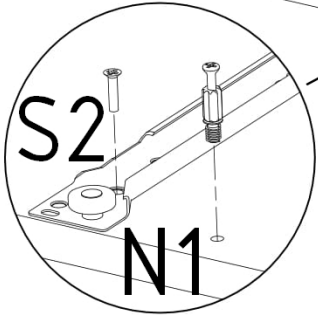
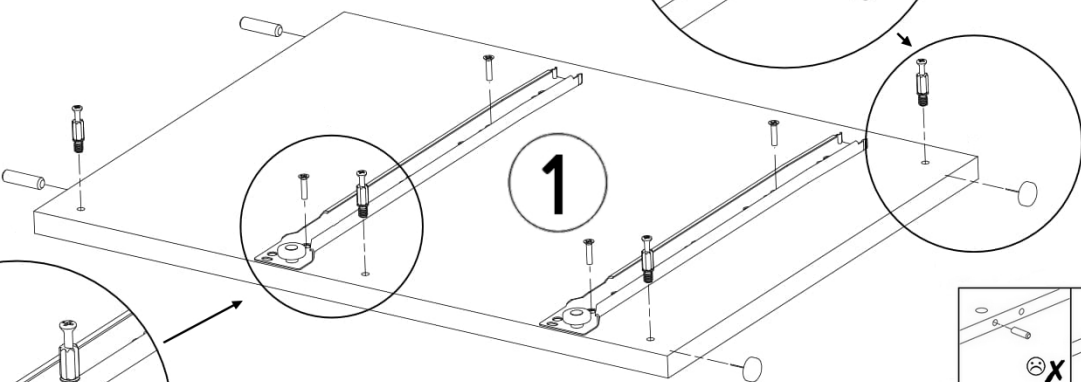
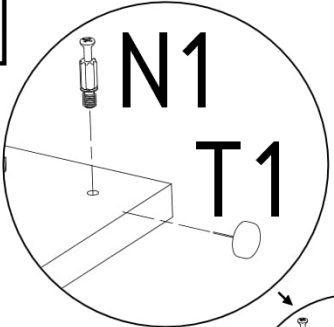
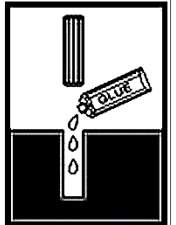
N1  L=35mm x12	M1  12x15 mm x12	F1  7x50mm x4	S1  3.5x16 mm x8	E1  8x30mm x4	 GLUE x1
T1  x4	Z1  x30	P3  L=350mm x 2	S2  6x9 mm x 8	M2  ø17 mm x 4	F3  x1








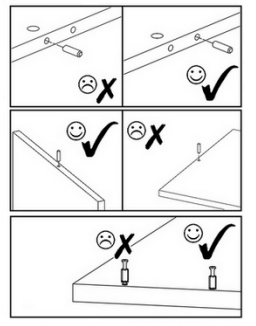
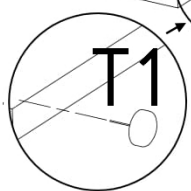
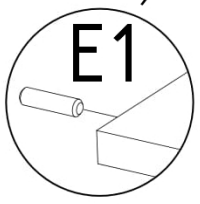
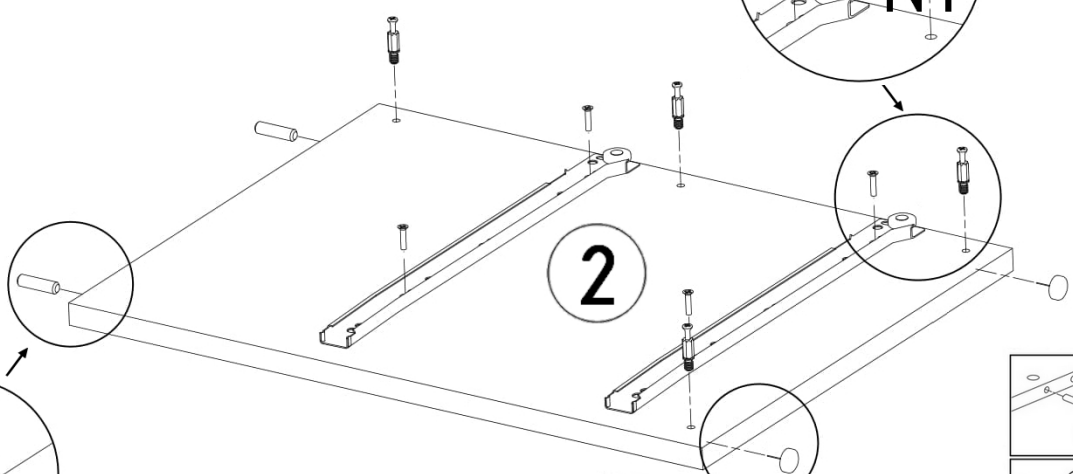
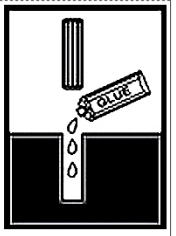
1	x	1
2	x	1
3	x	4
4	x	1
5	x	1
6	x	4
7	x	2
8	x	2
9	x	2

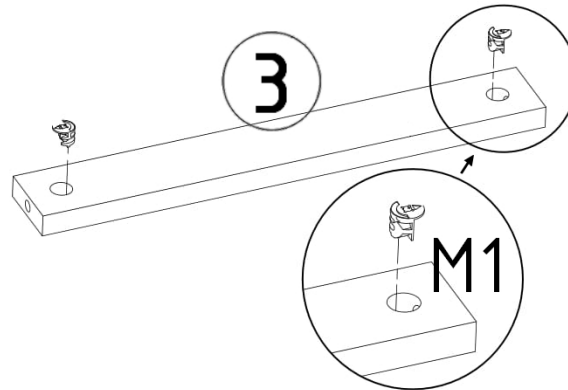
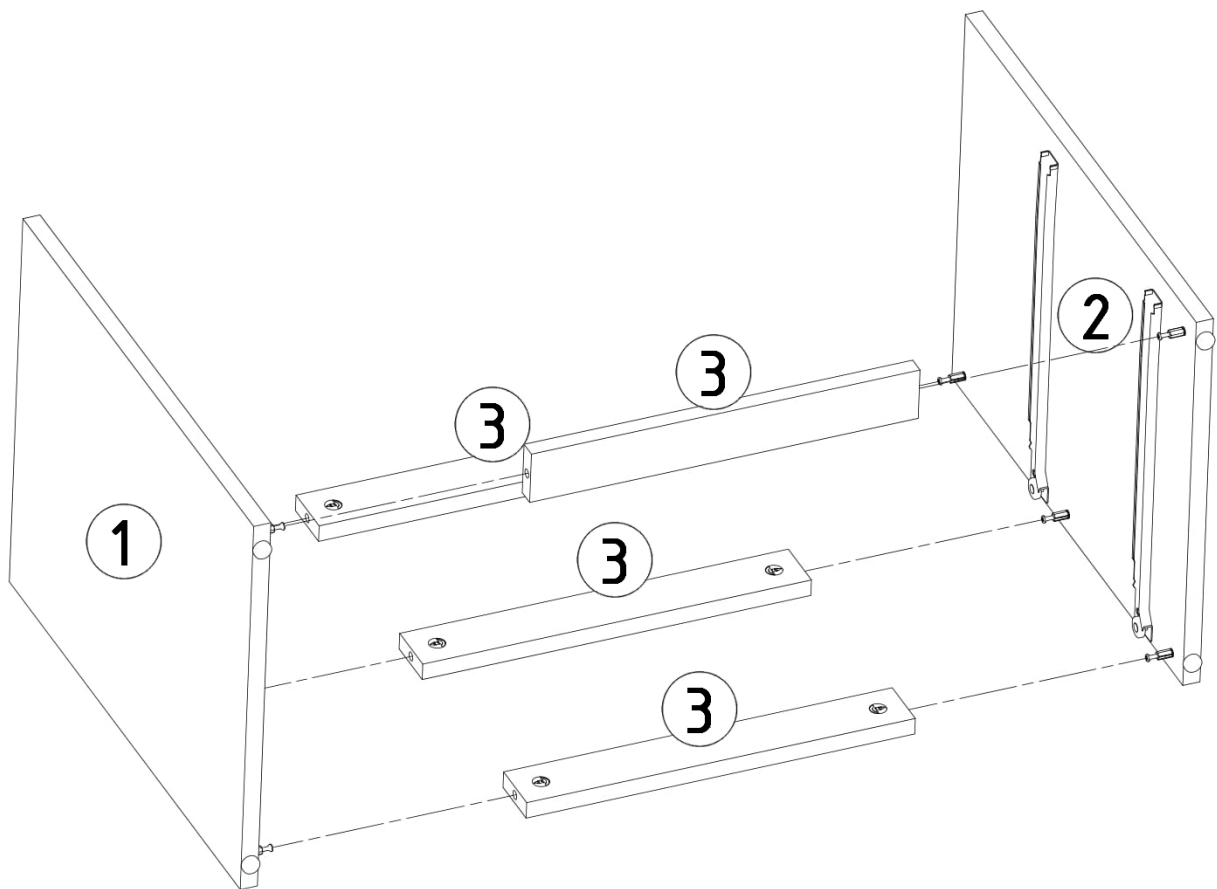


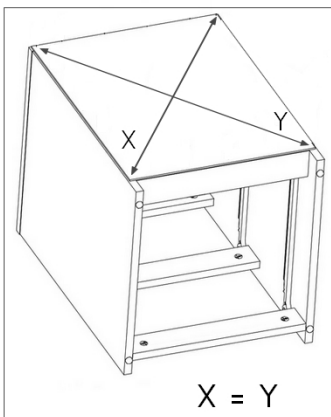
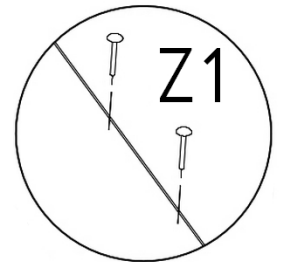
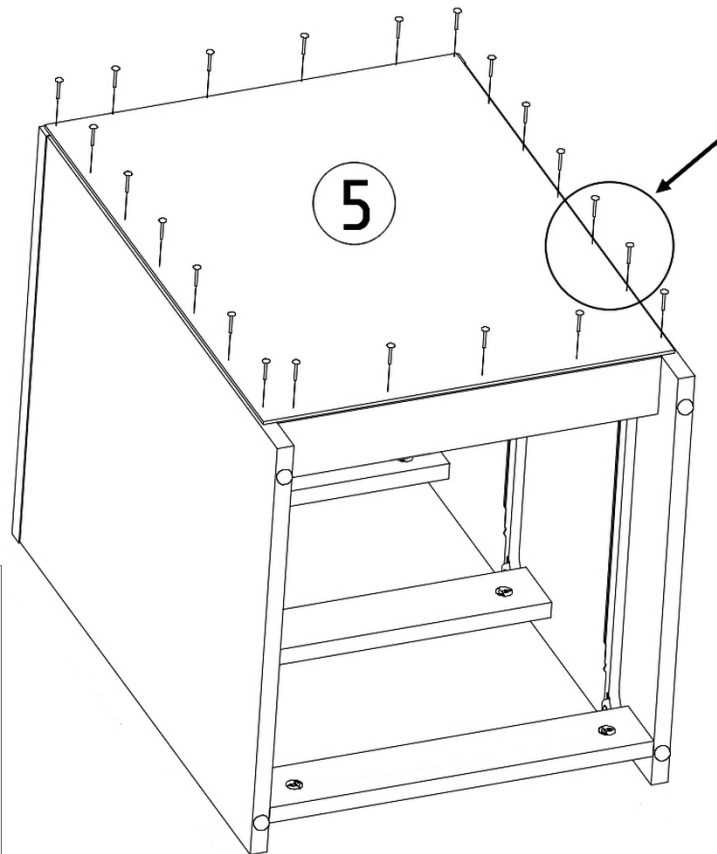
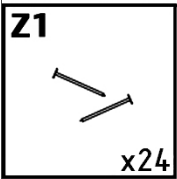
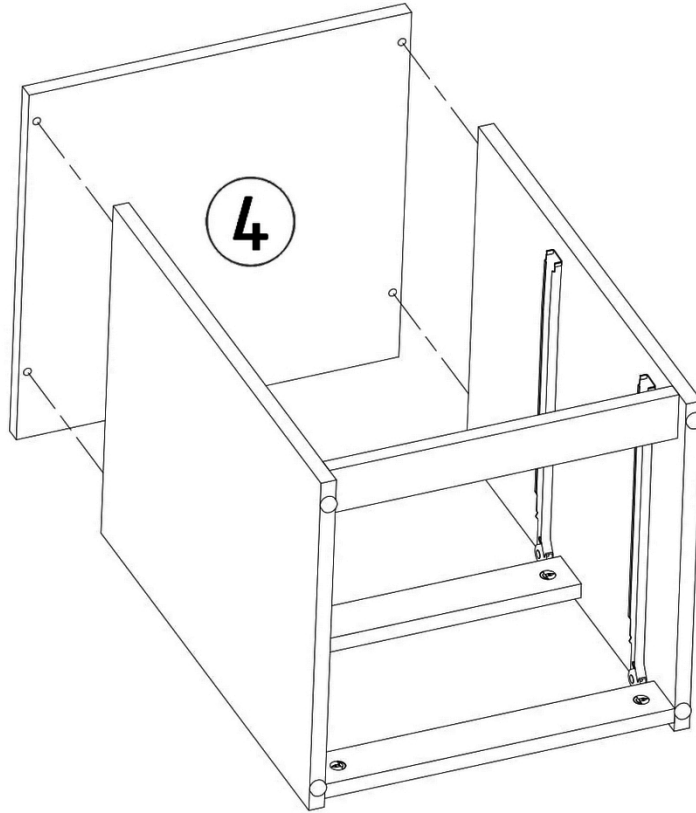
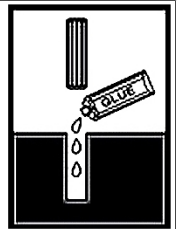
N1  L=35mm X4	T1  X2	S2  6x9 mm X4	E1  8x30mm X2	
---	--	---	---	---

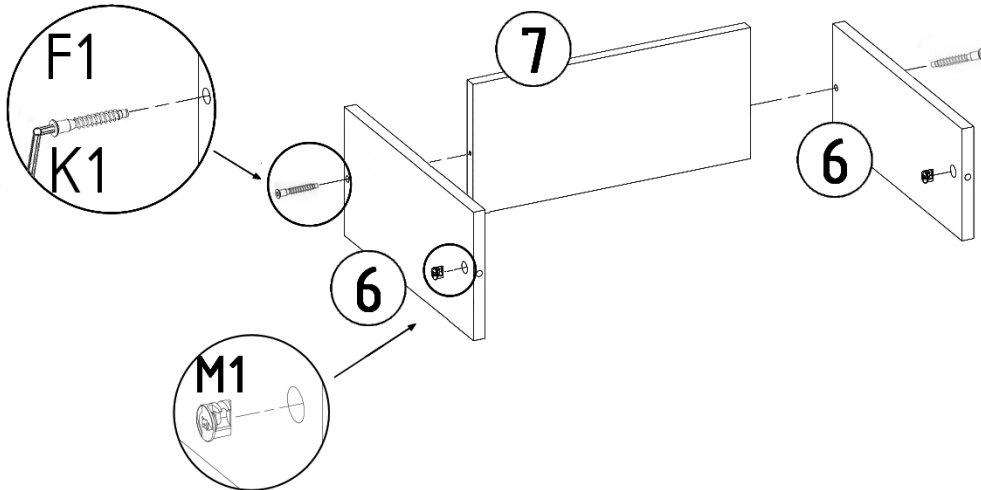
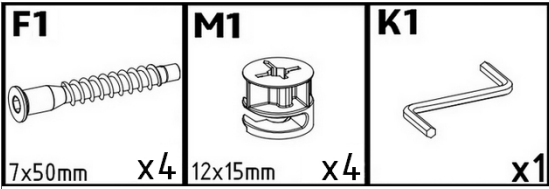


N1  L=35mm X4	T1  X2	S2  6x9 mm X4	E1  8x30mm X2	
---	--	---	---	---

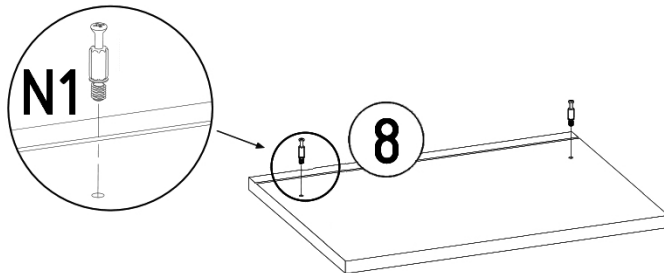


M112x15 mm **x8****x4**

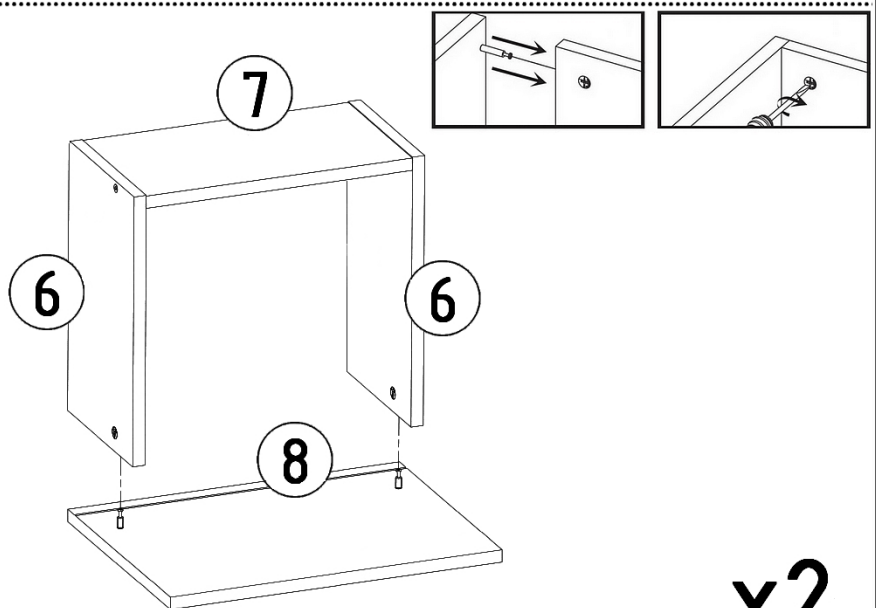




x2



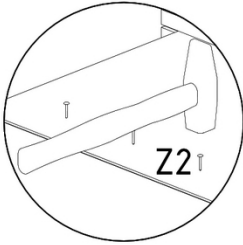
x2



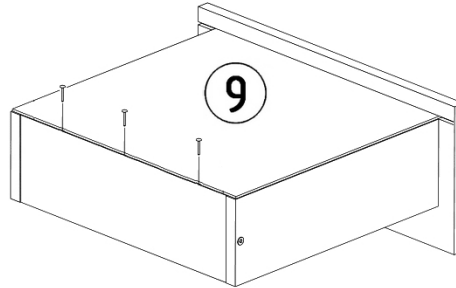
x2

Z1

x6

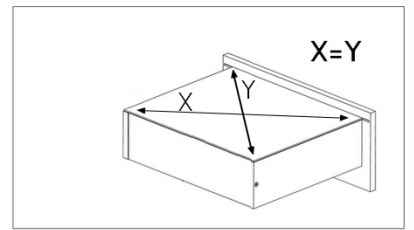


Z2



9

x2

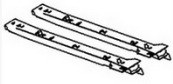


X=Y

S1

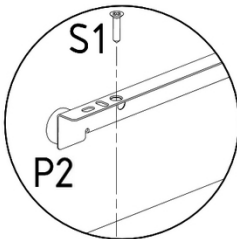
3,5x16mm

x8

P3

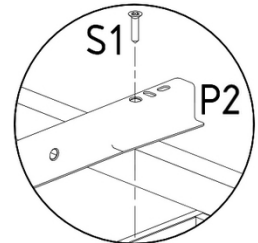
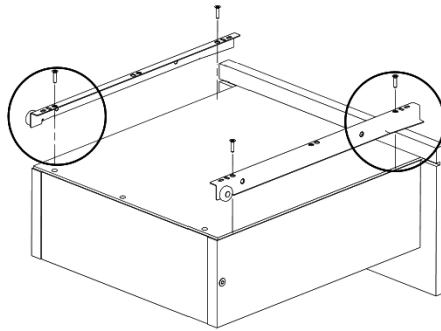
L=350mm

x2



S1

P2



S1

P2

x2

