

CARE AND MAINTENANCE

Store outdoor furniture indoors or cover well when not in use.

Remove wooden furniture from standing water. Dust regularly with small brush or vacuum

Spills should be taken care of immediately before they harden or stain with a slightly dampened sponge.

NOTICE

- * Please make sure that you have all parts indicated before you begin assembly of this item
- * This item should be assembled on a soft surface to prevent scratching the finish during assembly
- * This item may require periodic tightening

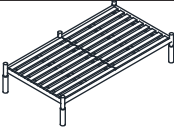





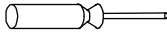
Weight Capacity :488 Ibs

Warning : Do not stand on chair

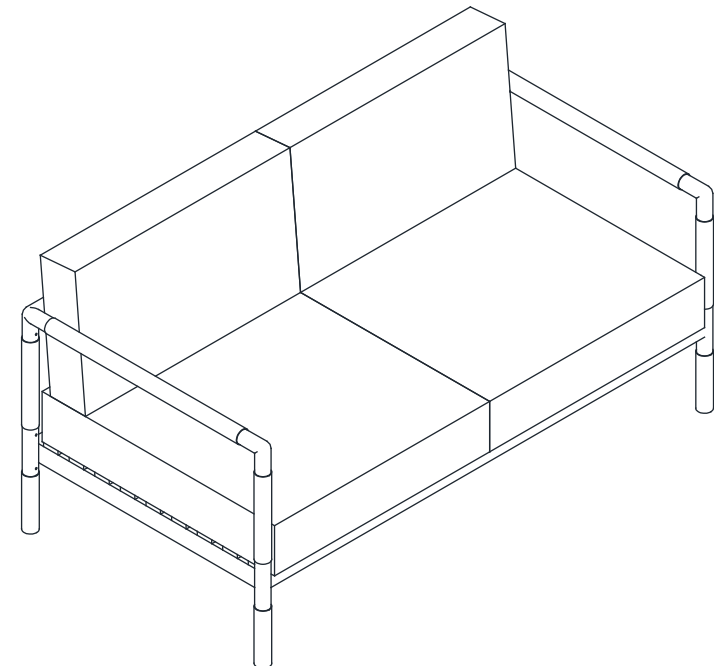
Warning : Do not over torque bolts / screws



Part List and Hardware List

PIECE	DESCRIPTION	PICTURE	QUANTITY
A	Frame Seat		1X
B	Frame Amrest		2X
C	Cross Amrest		1X
D	Screws		14X
E	Seat Cushion		1X
F	Back Cushion		2X
G	Screw Driver		Not Provided

Product Dimensions: 61.4" W x 33.1" D x 26" H



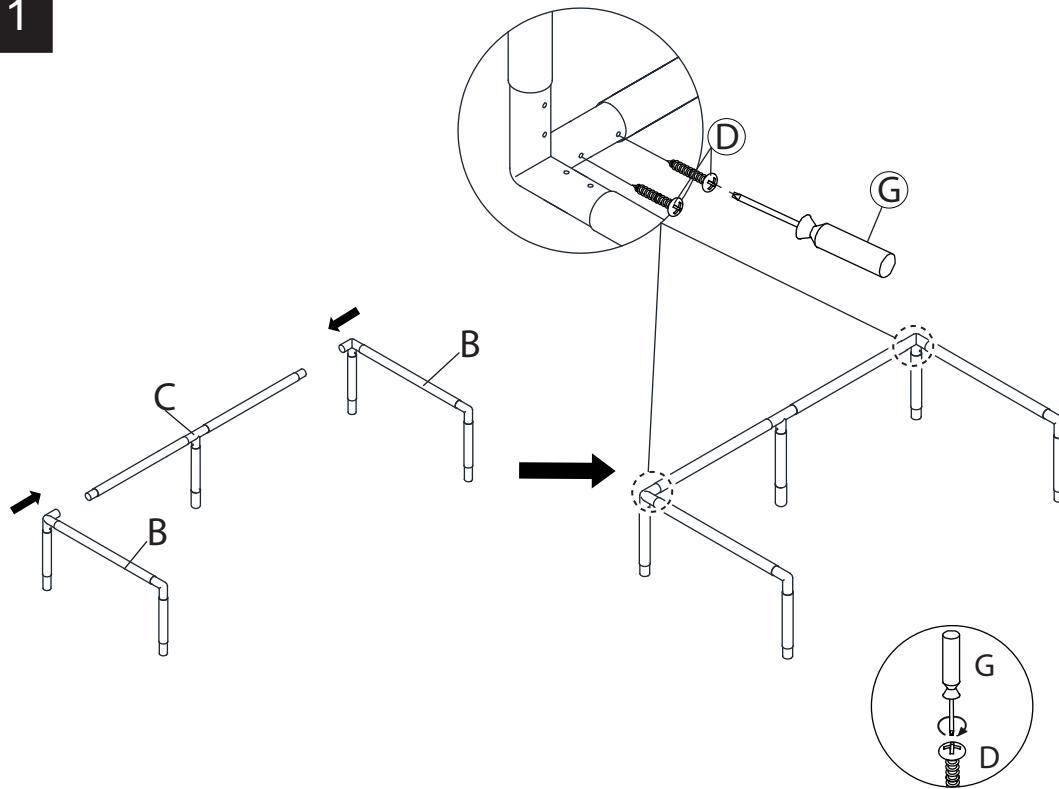
PREPARATION

Before beginning assembly of product, make sure all parts are present. Compare parts with package contents list and hardware contents list. If any part is missing or damaged, do not attempt to assemble the product.

Estimated Assembly Time: 10 minutes.

Tools Required for Assembly (included): Allen Key

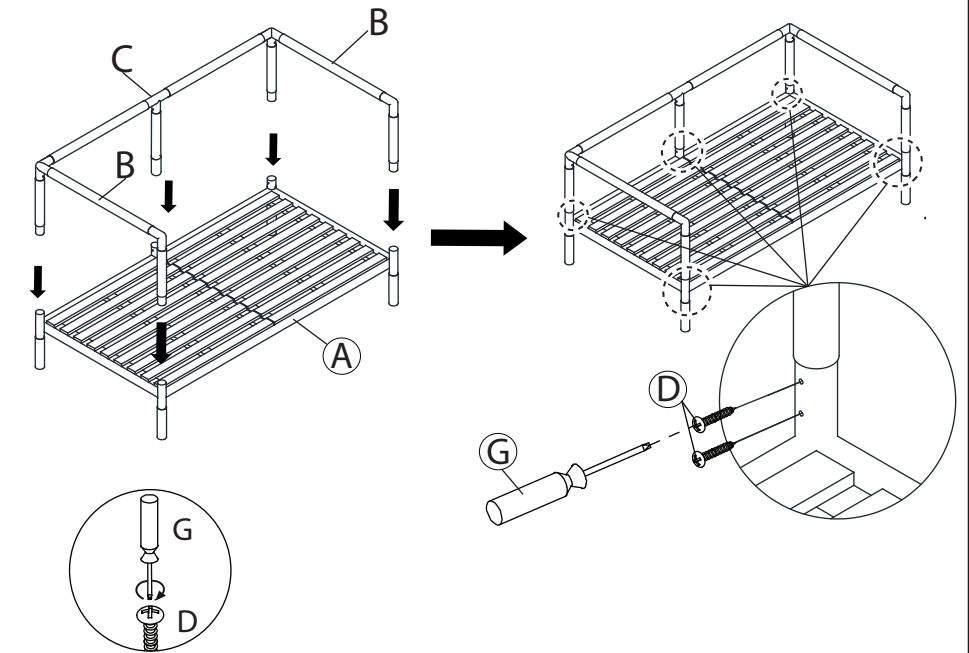
1



Step 1

Attach Cross Armrest (C) to Frame Armrest (B), use Screw driver (G) to tighten screws (D) .

2



Step 2

Attach Frame Armrest (B) and Cross armrest (C) to Frame seat (A), use Screw driver (G) to tighten screws (D) .

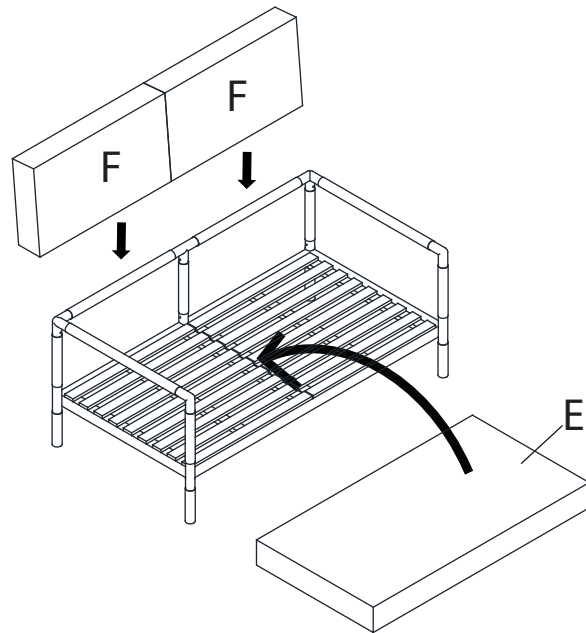
PREPARATION

Before beginning assembly of product, make sure all parts are present. Compare parts with package contents list and hardware contents list. If any part is missing or damaged, do not attempt to assemble the product.

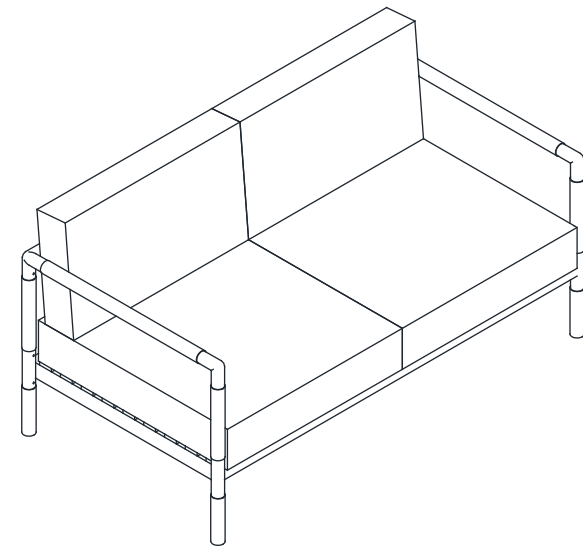
Estimated Assembly Time: 10 minutes.

Tools Required for Assembly (included): Allen Key

3



4



Step 3

Attach Ensure all screws are fully locked into position.
Place Seat Cushion (E), Back Cushion (F) into the Chair.
The Chair is ready to be used..

Step 4

Caution: This Chair can only be used on a flat, level surface