

ASSEMBLY INSTRUCTION

Read this instruction carefully, remove all wrapping material, staples and straps from the carton. See hardware and furniture part list

For guidance. Be sure you have all wooden furniture parts on a clean and soft surface to prevent from being scratched. Follow the figure to start assembling.

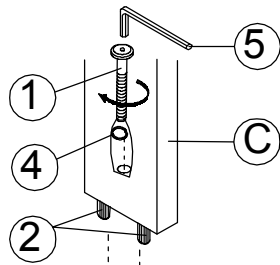
Caution:

1. Do not FULLY -TIGHTEN the nut or bolt until all nut or nut bolt is ready to assembled.
2. Do not OVER- TIGHTEN the nut or nut bolt to avoid causing damages to the thread.
3. Keep all hardware part out of reach of children.

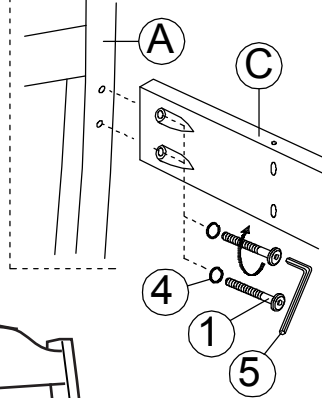
| NO | PART LIST | QTY |
|----|--------------|-----|
| A | BACK REST | 1 |
| B | FRONT LEG | 1 |
| C | SIDE RAIL | 2 |
| D | CUSHION SEAT | 1 |

| NO | DESCRIPTION | QTY |
|----|--|-----|
| 1 | JCBC SCREW M6 X 50MM  | 6 |
| 2 | WOOD DOWEL  | 4 |
| 3 | CSK SCREW M4 x 30mm  | 3 |
| 4 | SPRING WASHER  | 6 |
| 5 | M4 ALLEN KEY  | 1 |

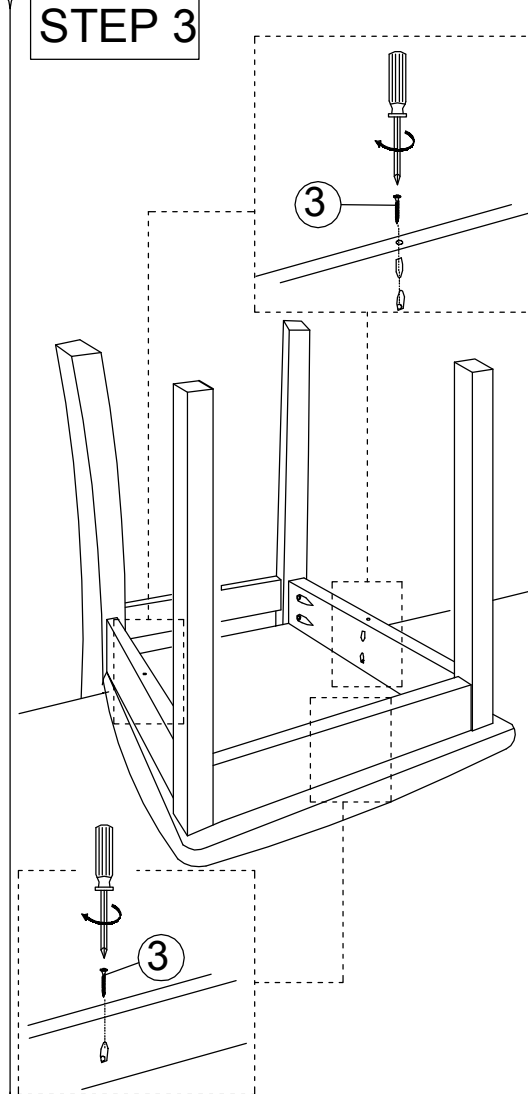
STEP 1



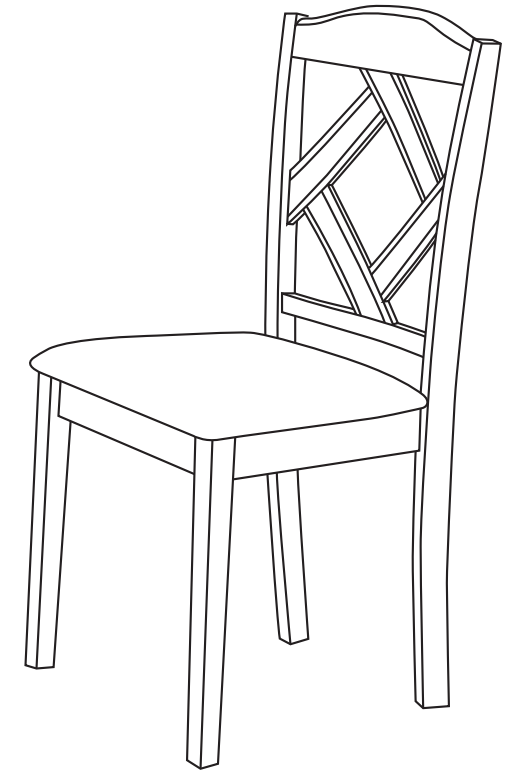
STEP 2



STEP 3



STEP 4



COMPLETED ASSEMBLY

ASSEMBLY INSTRUCTION

Read this instruction carefully. Remove all wrapping material, staples and straps from the carton. See hardware and furniture part list For guidance. Be sure you have all wooden furniture parts on a clean and flat soft surface, such as a carpet or rug, to prevent from being scratched. Follow the figure to start assembling.

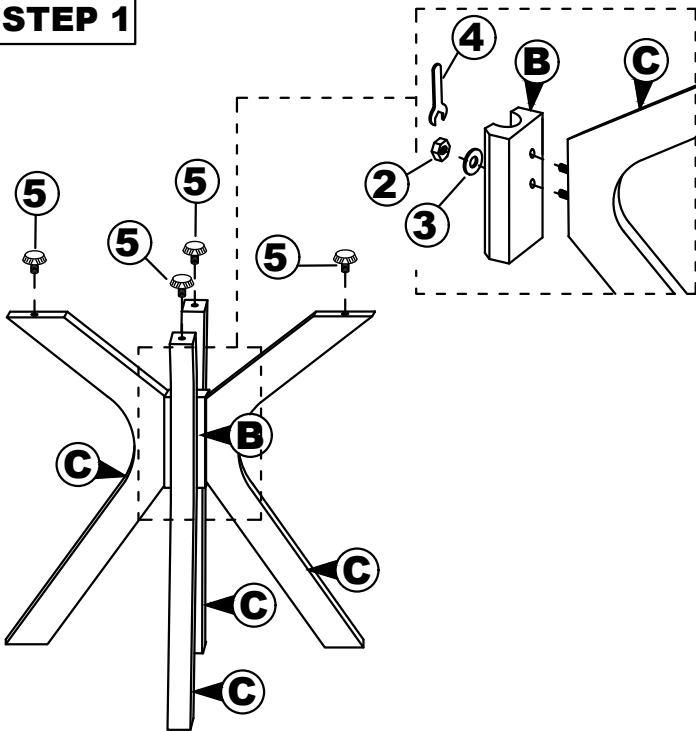
CAUTION :

1. Do not FULLY - TIGHTEN the nut or screw until all is ready to assemble.
2. Do not OVER - TIGHTEN the nut or screw to avoid causing damages to the thread.
3. Keep all hardware part out reach of children.

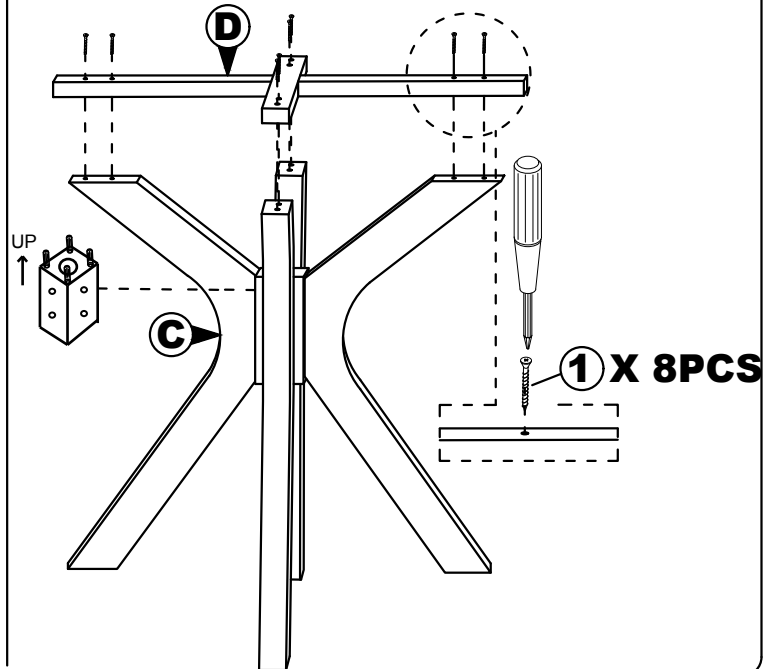
| NO | PART LIST | QTY |
|----|-----------------------|-------|
| A | TABLE TOP | 1 PC |
| B | PEDESTAL TABLE CENTER | 1 PC |
| C | PEDESTAL LEGS | 4 PCS |
| D | CROSS BAR 'X' | 2 PCS |
| E | BOX COVER | 1 PC |

| NO | DESCRIPTION | QTY |
|----|---------------------|--------|
| 1 | CSK SCREW M4 X 30MM | 16 PCS |
| 2 | HEX. NUT | 8 PCS |
| 3 | FLAT WASHER | 8 PCS |
| 4 | SPANNAR | 1 PC |
| 5 | ADJUSTER | 4 PCS |

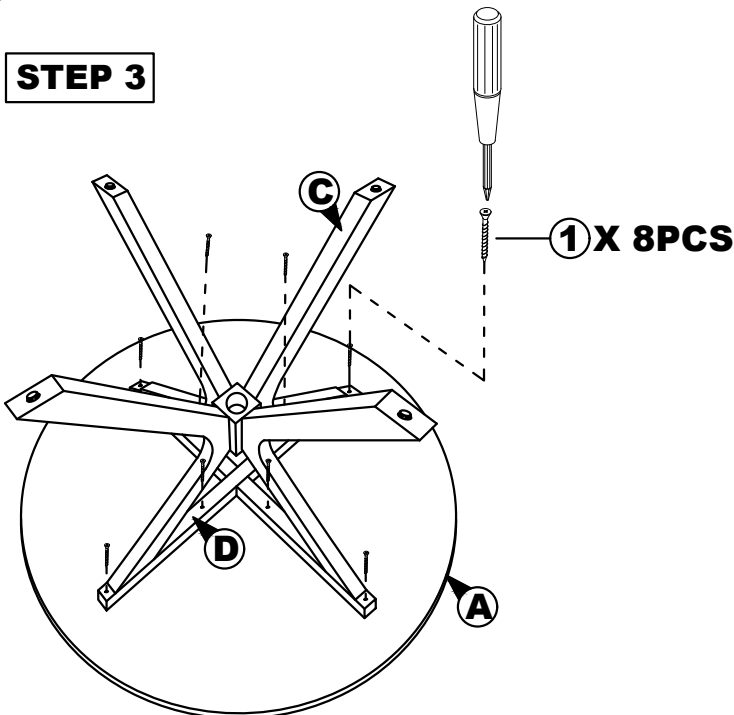
STEP 1



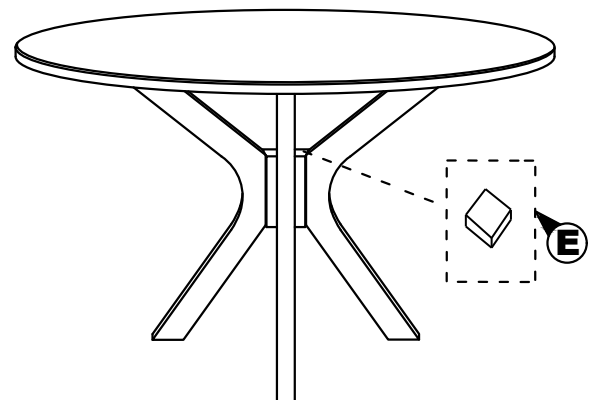
STEP 2



STEP 3



STEP 4



COMPELETE
ASSEMBLE