

artos[®]

TS253

OPERATING SPECIFICATIONS

Round 2-Way Pressure Balance Shower
Trim Kit with Rain Shower Head and
Hand Held on Slide Bar with Separate
Water Outlet



INCLUDES

Rain Head & Arm
Valve Trim
Hand Shower

OPERATING PRESSURE

Minimum: 15 psi
Maximum: 125 psi
Above 90psi it may be necessary to install a pressure reducer

OPERATING TEMPERATURE

Maximum: 176°

FLOW CAPACITY

Shower Head: 1.8 USGPM
Hand Shower: 1.8 USGPM

STANDARDS

ASSE 1016-2011 | ASME_A112.1016-2011 | CSA B125:16-11



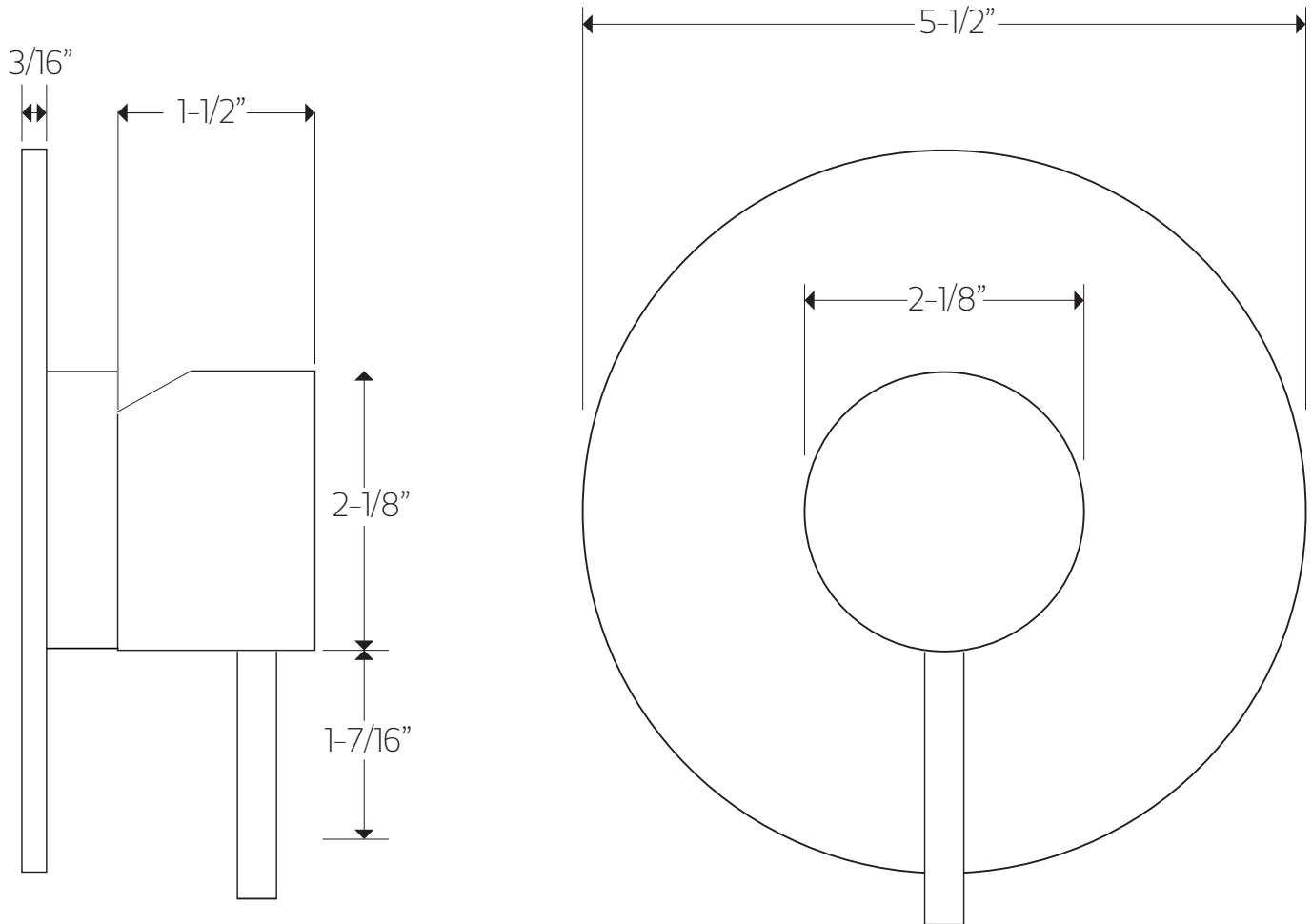
artos[®]

TS253

PRODUCT DIMENSIONS

Round 2-Way Pressure Balance Shower
Trim Kit with Rain Shower Head and
Hand Held on Slide Bar with Separate
Water Outlet

for trim kit



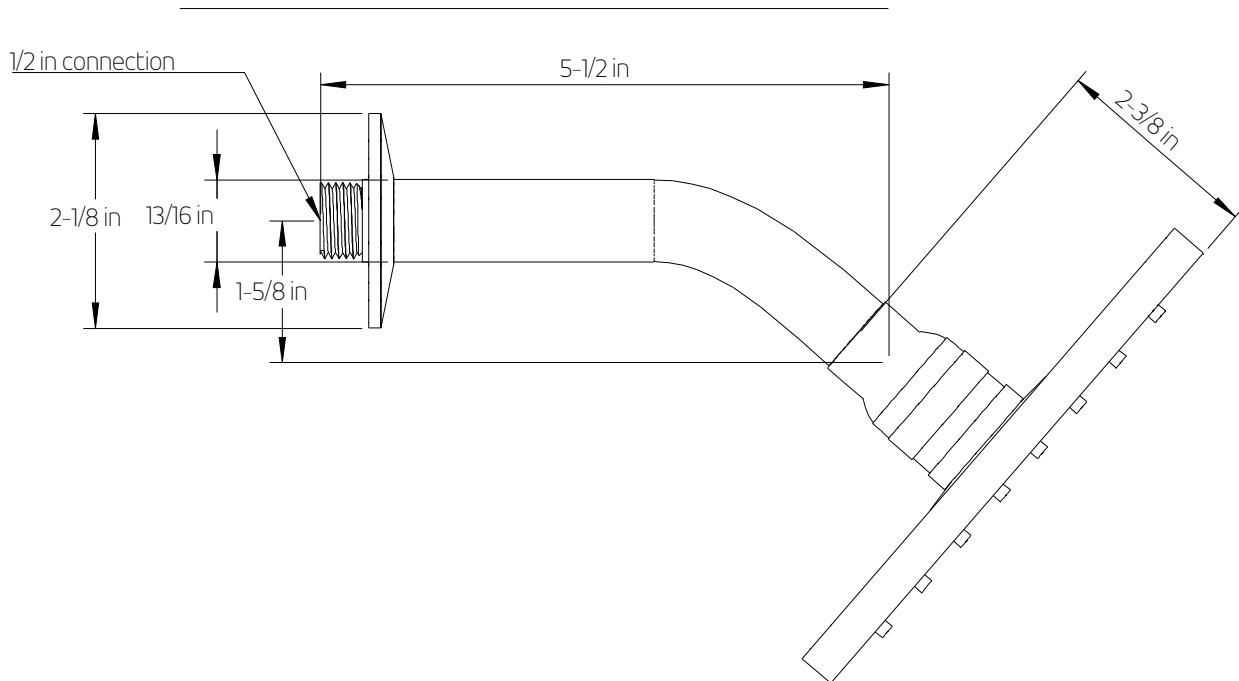
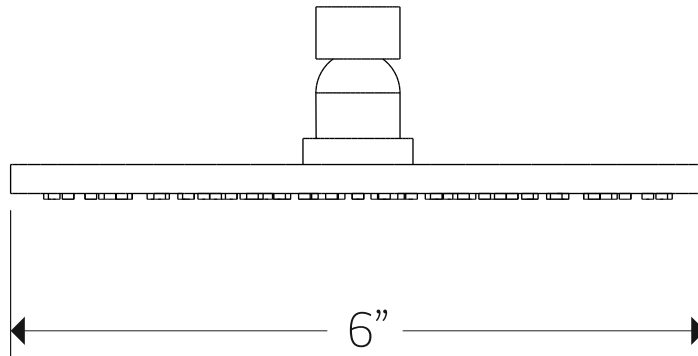
artos[®]

TS253

PRODUCT DIMENSIONS

Round 2-Way Pressure Balance Shower
Trim Kit with Rain Shower Head and
Hand Held on Slide Bar with Separate
Water Outlet

for shower head



artos[®]

TS253

PRODUCT DIMENSIONS

Round 2-Way Pressure Balance Shower
Trim Kit with Rain Shower Head and
Hand Held on Slide Bar with Separate
Water Outlet

for hand shower

