

## Assembly Instructions

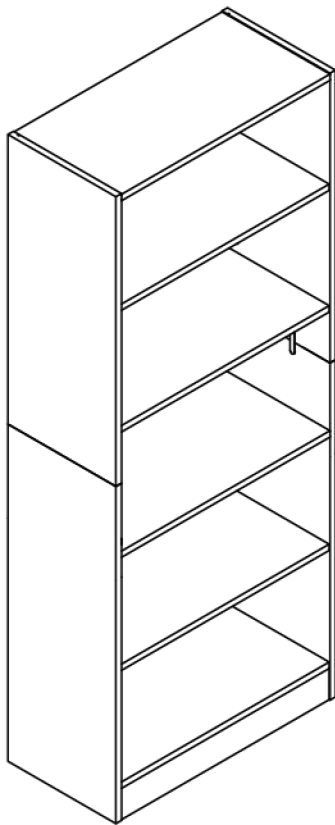


**SHOULD YOU HAVE ANY QUESTIONS REGARDING THE ASSEMBLY OR PARTS OF YOUR NEW ITEM, PLEASE DO NOT RETURN TO THE STORE, INSTEAD CALL US.**

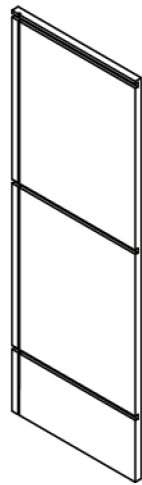
We offer patented furniture solutions to the consumer with simple assembly & innovative features. Our products are changing the landscape of affordable storage furniture and breaking barriers for consumer reception of RTA/KD items. It is made in state of the art manufacturing facilities by engineering teams that are both creative and precise. Our items are affordable and accessible to all customers regardless of assembly acumen or income level

# ASSEMBLY INSTRUCTIONS

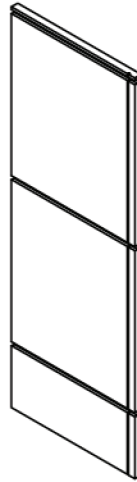
Bookcase



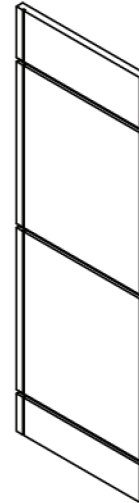
**COMPLETED ASSEMBLY**



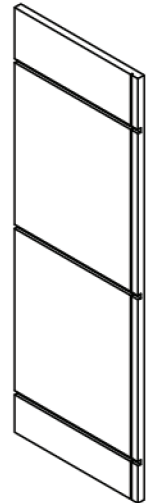
① x 1 pc



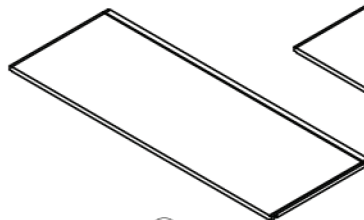
② x 1 pc



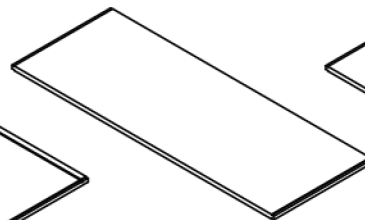
③ x 1 pc



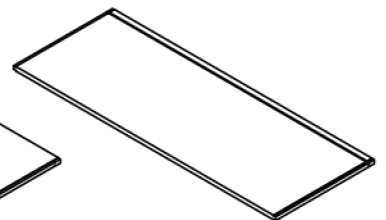
④ x 1 pc



⑤ x 4 pcs



⑥ x 1 pc



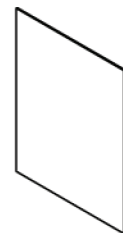
⑦ x 1 pc



⑧ x 1 pc



⑨ x 1 pc



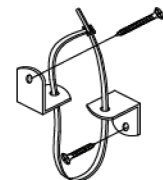
⑩ x 15 pcs



① x 4 pcs



② x 10 pcs



③ x 1 Set

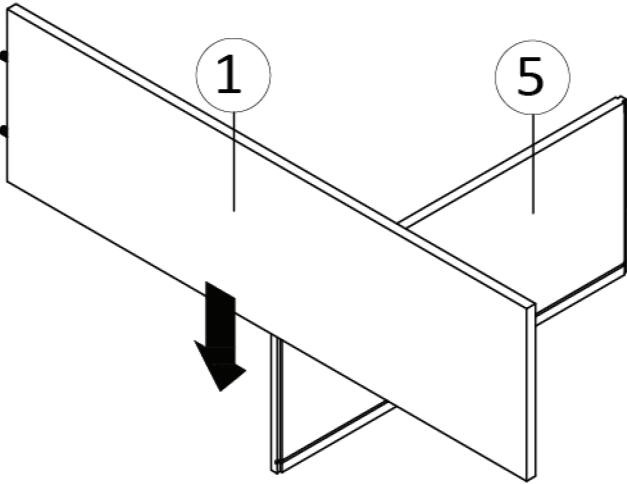
**Note: There are no tools needed to assemble this 6 Tier bookcase it simply slides together**

## **CLEANING INSTRUCTIONS**

After assembly, clean and wipe with a damp cloth. Be sure to dry this paper veneer product after wiping. Never let water accumulate on the surface. Never let the unit sit in water or a moist environment.

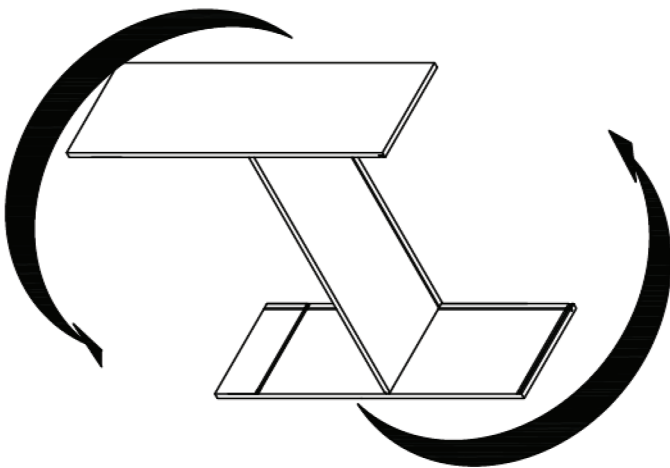
# ASSEMBLY INSTRUCTIONS

- 1** Place panel 5 on the floor as shown with the rear panel grooves closest to the floor, then align the second slide logic groove from the top on panel 1 with the dovetail on panel 5 and gently slide panel 1 down into position.

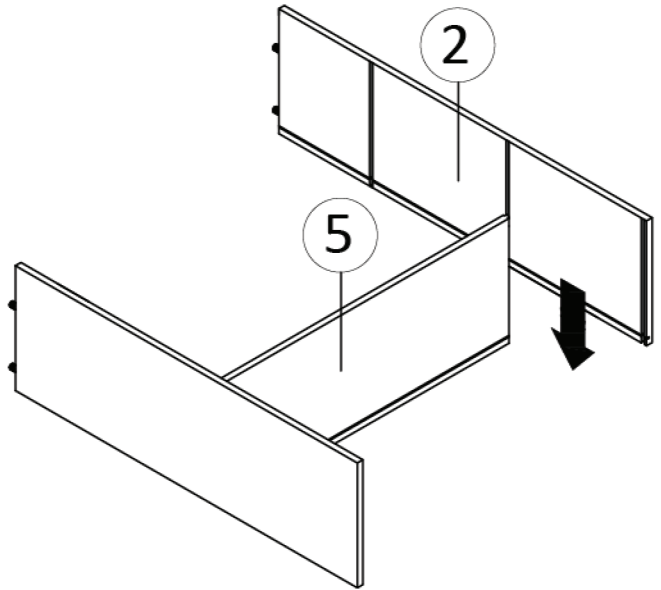


## Top Half Assembly

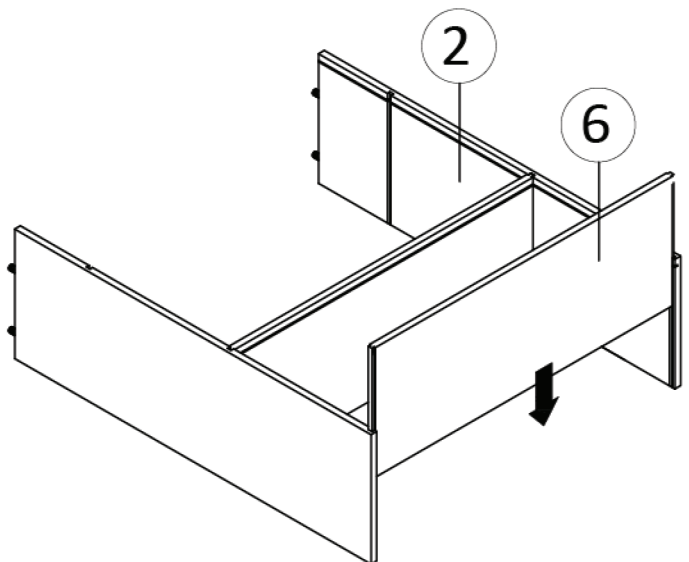
- 3** Carefully rotate all 3 panels 180° degrees turning the unit over before the next step, the back panel grooves should now be away from the floor.



- 2** Repeat with panel 2



- 4** Align the dovetails on the top panel 6 with the grooves on panels 1 and 2, then gently slide it into place. The grooves for the back panels should all align on panels 1,2,5 and 6 for back panel insertion later



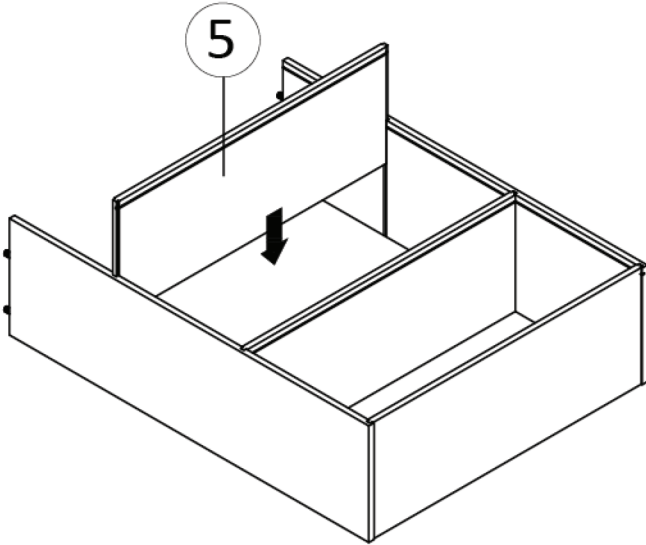
**Note:** There are no tools needed to assemble this 6 Tier bookcase it simply slides together

## CLEANING INSTRUCTIONS

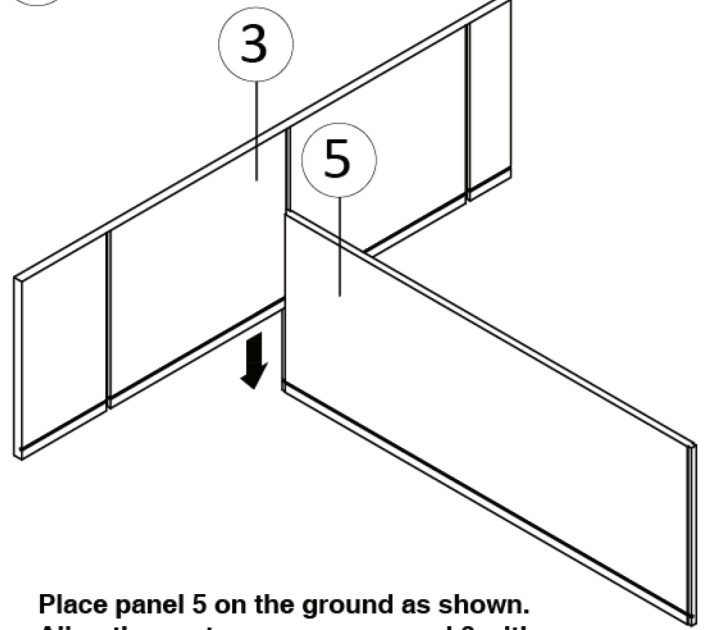
After assembly, clean and wipe with a damp cloth. Be sure to dry this paper veneer product after wiping. Never let water accumulate on the surface. Never let the unit sit in water or a moist environment.

# ASSEMBLY INSTRUCTIONS

- 5 Align the dovetails on a second panel 5 with the grooves on panels 1 and 2 then gently slide it into place

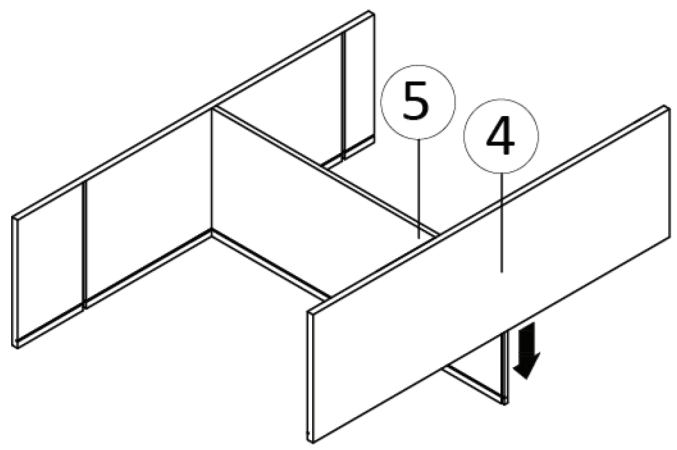


- 6 Bottom Half Assembly

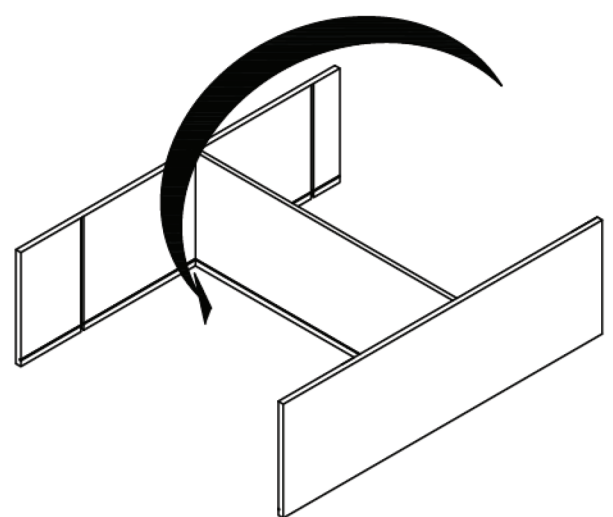


Place panel 5 on the ground as shown. Align the center groove on panel 3 with the dovetail on panel 5 and gently slide panel 3 down into place.

- 7 Repeat with panel 4



- 8 Carefully rotate all 3 panels 180° degrees, turning the unit over before the next step, the back panel grooves should now be away from the floor.

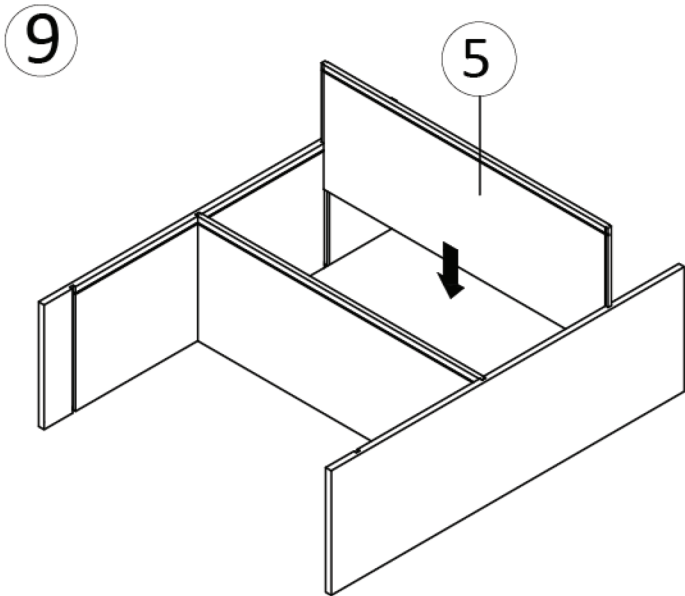


**Note: There are no tools needed to assemble this 6 Tier bookcase it simply slides together**

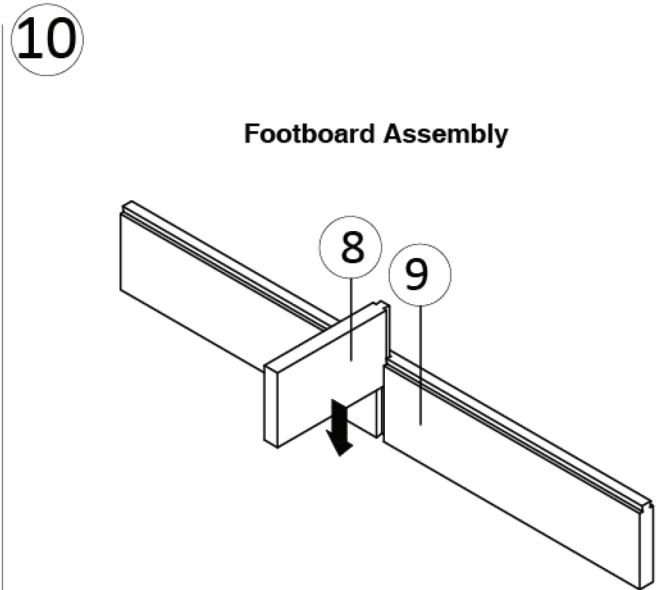
## CLEANING INSTRUCTIONS

After assembly, clean and wipe with a damp cloth. Be sure to dry this paper veneer product after wiping. Never let water accumulate on the surface. Never let the unit sit in water or a moist environment.

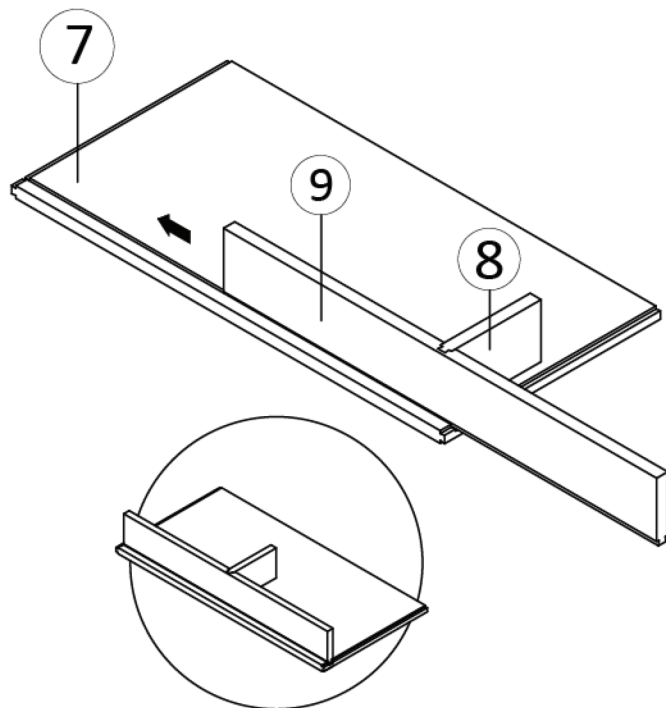
# ASSEMBLY INSTRUCTIONS



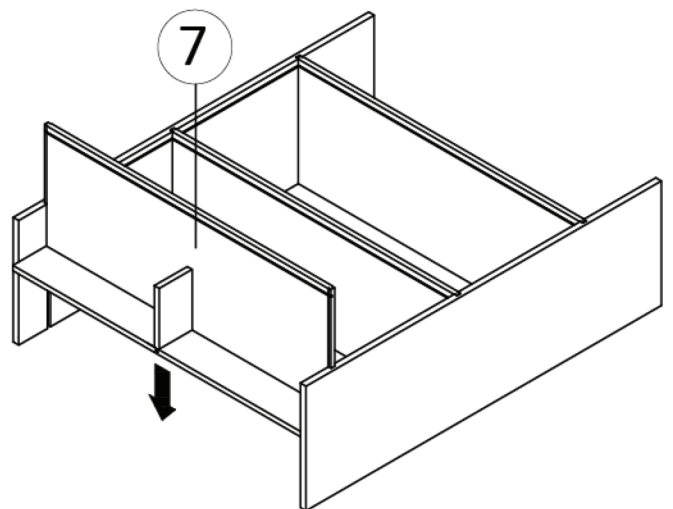
Align the dovetails on panel 5 with the grooves on panels 1 and 2, then gently slide it into place. The grooves for the back panels should all align on panels 1, 2, and both panel 5's for back panel insertion later



11 Slide the dovetail on panel 9 into the groove on panel 7 and carefully slide it all the way across, centering it exactly on panel 7 between the side dovetails.



12 Align the dovetails on panel 7 with the grooves on panels 3 and 4, then slide this panel with the footboard attached into place



The grooves for the back panels should all align on panels 3,4,5,6 and 7 for back panel insertion later

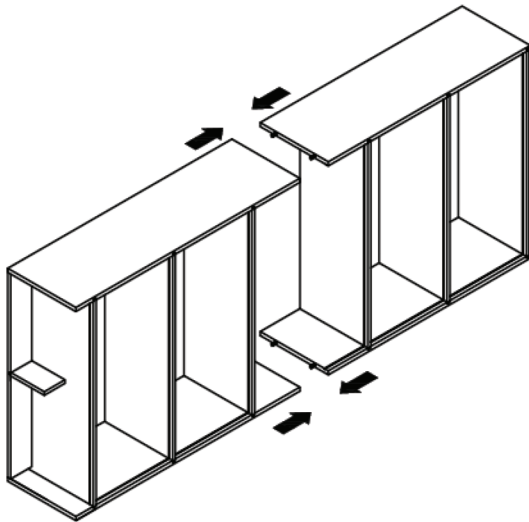
**Note:** There are no tools needed to assemble this 6 Tier bookcase it simply slides together

## CLEANING INSTRUCTIONS

After assembly, clean and wipe with a damp cloth. Be sure to dry this paper veneer product after wiping. Never let water accumulate on the surface. Never let the unit sit in water or a moist environment.

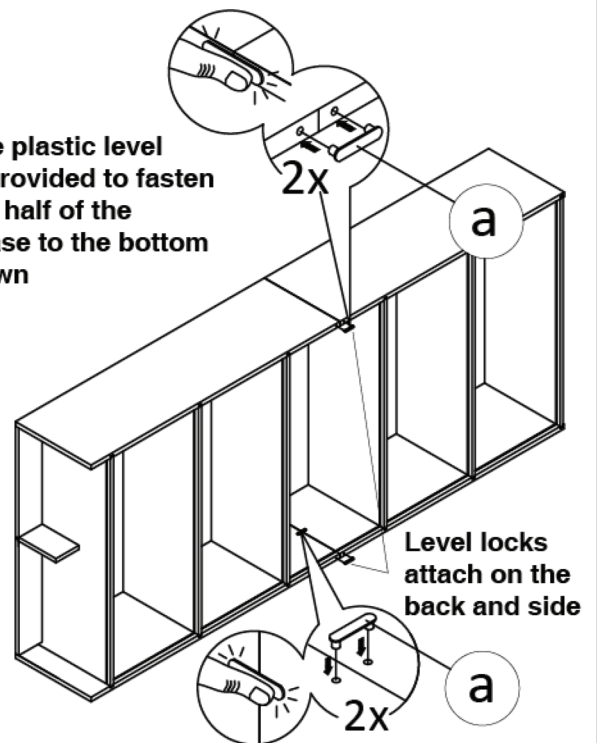
# ASSEMBLY INSTRUCTIONS

- 13** Align the top half of the bookcase with the bottom half of the bookcase as shown and gently slide them together so the dowels from the top half insert into the holes on the bottom half

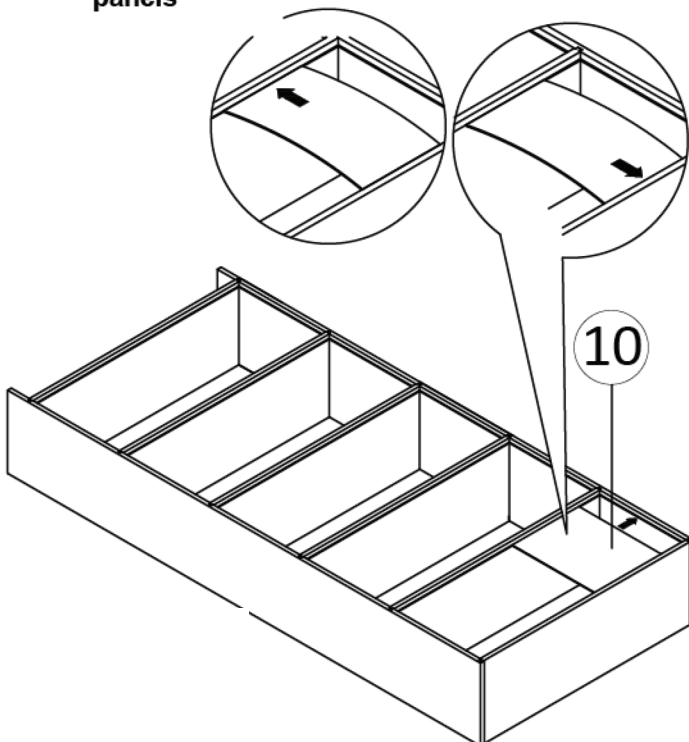


**14**

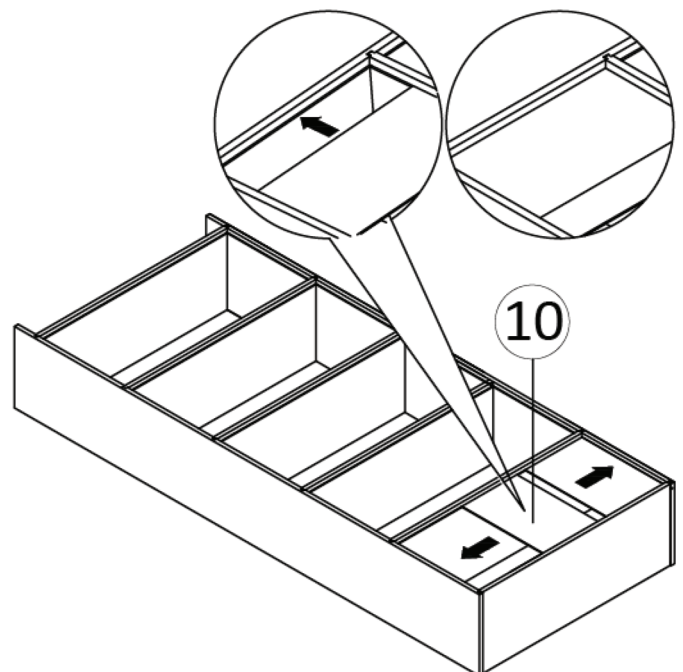
- Use the plastic level locks provided to fasten the top half of the bookcase to the bottom as shown



- 15** Using the identical pieces 10, bend slightly and insert top and bottom then push firmly to one side making sure they fully insert themselves into the grooves on the side panels



- 16** Insert and push one panel 10 fully to the left then one fully to the right, making sure they are fully inserted into the side panel grooves



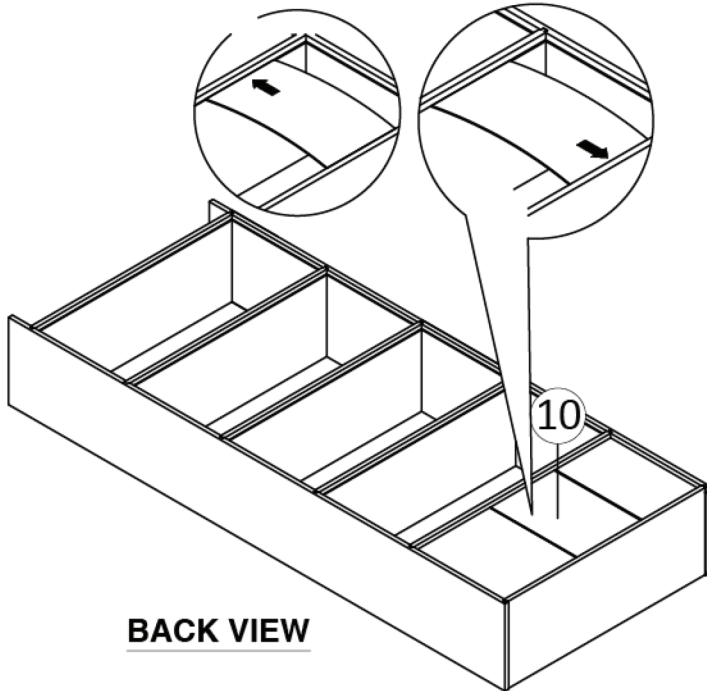
**Note:** There are no tools needed to assemble this 6 Tier bookcase it simply slides together

## CLEANING INSTRUCTIONS

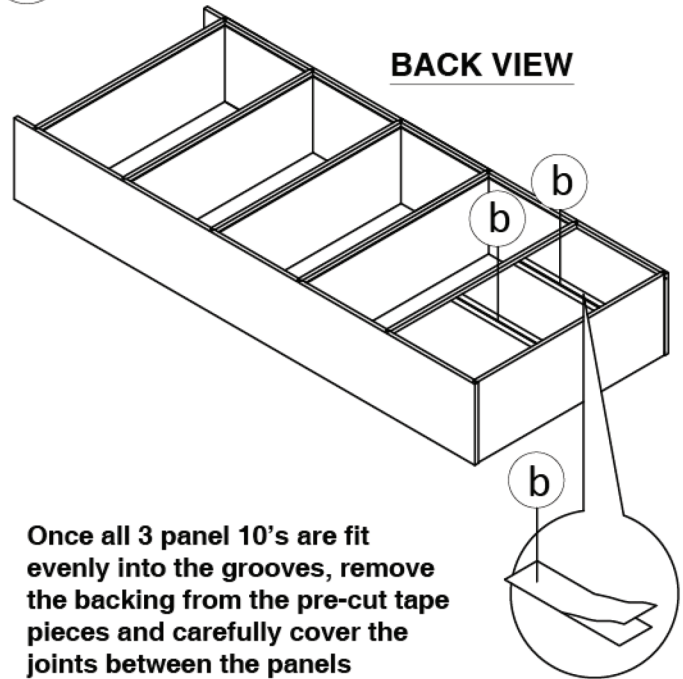
After assembly, clean and wipe with a damp cloth. Be sure to dry this paper veneer product after wiping. Never let water accumulate on the surface. Never let the unit sit in water or a moist environment.

# ASSEMBLY INSTRUCTIONS

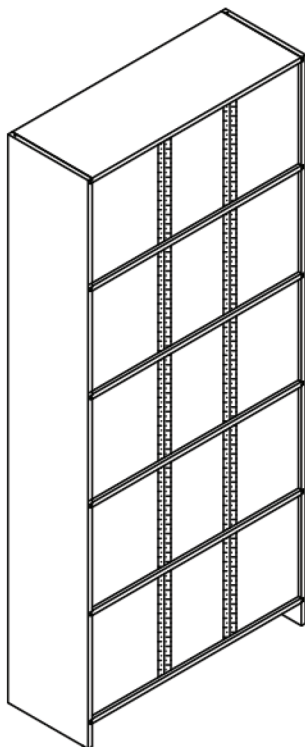
- 17** After firmly inserting both left and right panel 10's, a center panel should fit snugly but evenly in the middle with no overlap



**18**



**19**



Repeat steps 15-18 until all panel 10's are inserted on the back of your completed bookcase!

**Note: There are no tools needed to assemble this 6 Tier bookcase it simply slides together**

## **CLEANING INSTRUCTIONS**

After assembly, clean and wipe with a damp cloth. Be sure to dry this paper veneer product after wiping. Never let water accumulate on the surface. Never let the unit sit in water or a moist environment.