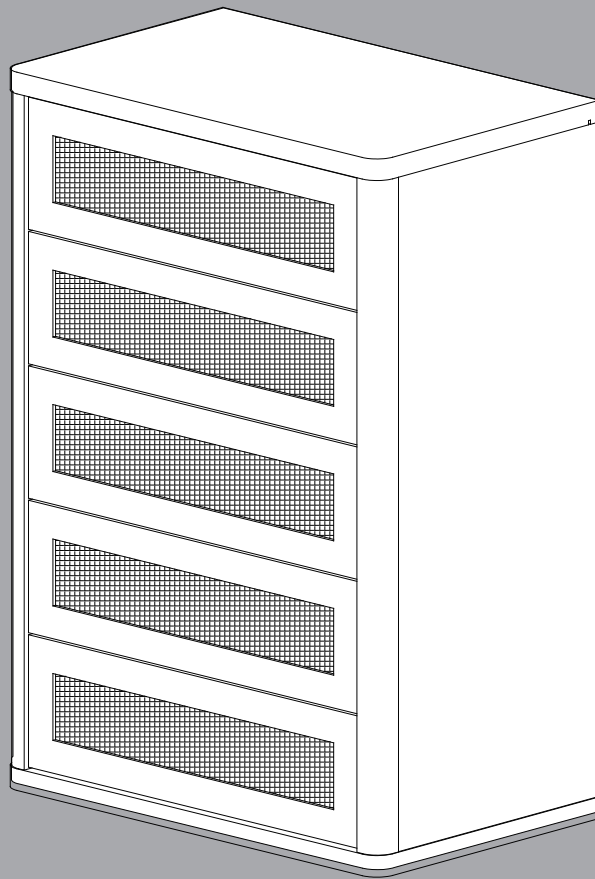


# Installation & Assembly



# Assembly Instructions

Before beginning the assembly process, please read and save these instructions for reference.

Following these guidelines will ensure a smooth and successful assembly of your product.

## 1. Part Identification:

Carefully separate and identify all the parts included in your package. Confirm that you have all the components listed in the instruction manual. This step will help you avoid any missing or misplaced parts during assembly.

## 2. Work Surface:

To prevent any scratches or damage to the product, assemble it on a soft mat or a similar protective surface. This will provide a cushioned area for the components and protect the surfaces from unwanted marks.

## 3. Step-by-Step Assembly:

Follow the assembly instructions provided, proceeding one step at a time. Take care to understand each step properly before proceeding to the next one. This sequential approach ensures that the assembly is done correctly and minimizes the chance of errors.

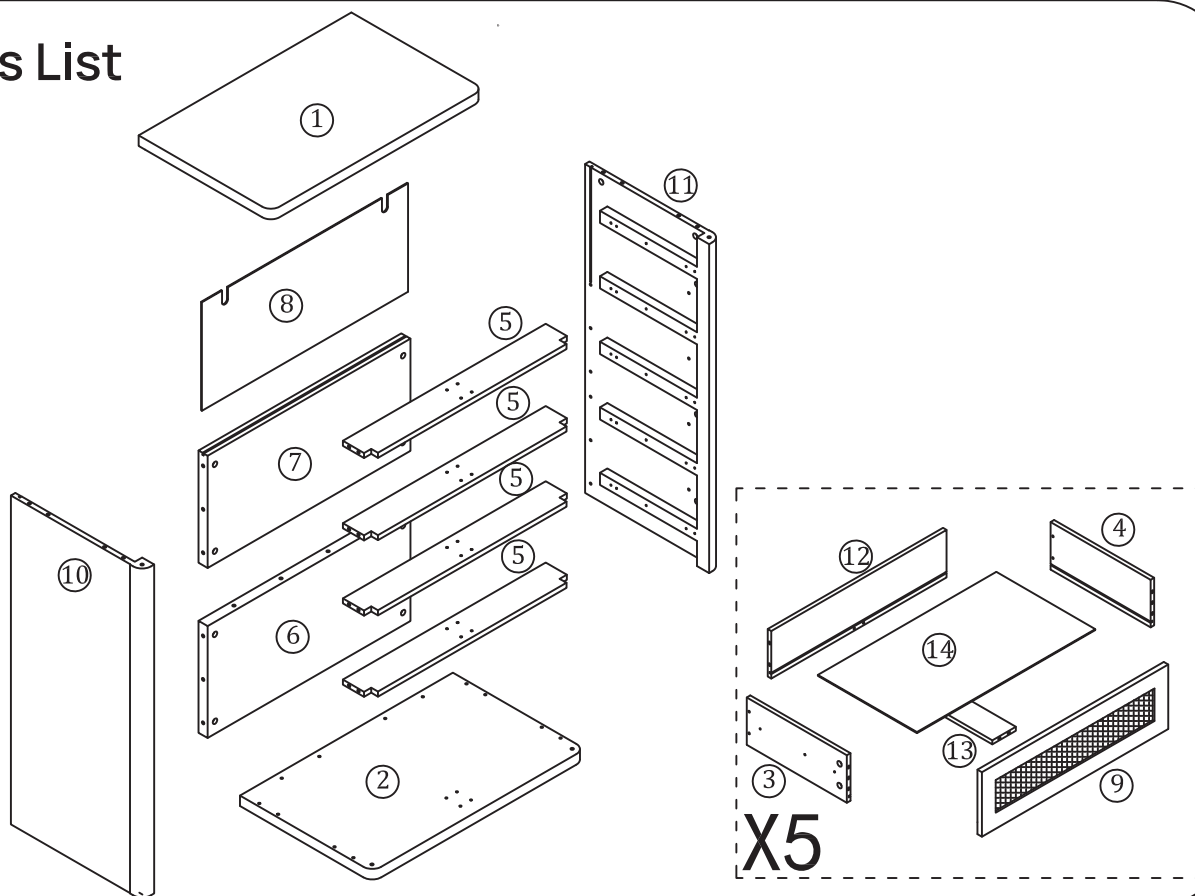
## 4. Proper Screw Seating:

When attaching screws and nuts, it is essential not to fully tighten them until all screws are correctly seated. By partially tightening each screw and nut initially, you can ensure that they are aligned properly and fit securely before final tightening.

## 5. Avoid Over-Tightening:

While each screw and nut should be tightened correctly, it is crucial not to over-tighten them. Over-tightening can cause damage to the product or compromise its structural integrity. Use the appropriate amount of force to secure the components without excessive tightening.

# Parts List



# Hardware List



AX4



BX60  
ø3.5x12mm



CX50  
ø15x9.5mm



DX50  
ø6x24mm



EX30  
ø8x30mm



FX6



GX6  
ø3x16mm



HX6  
ø6.8x48mm



IX1



JX30  
ø4x30mm



KX10  
ø6x30mm



LX5



MX20  
ø4x13mm



NX2



OX2



PX2  
ø4x15mm



QX2  
ø4x35mm



RX10



SX5  
ø3x13mm

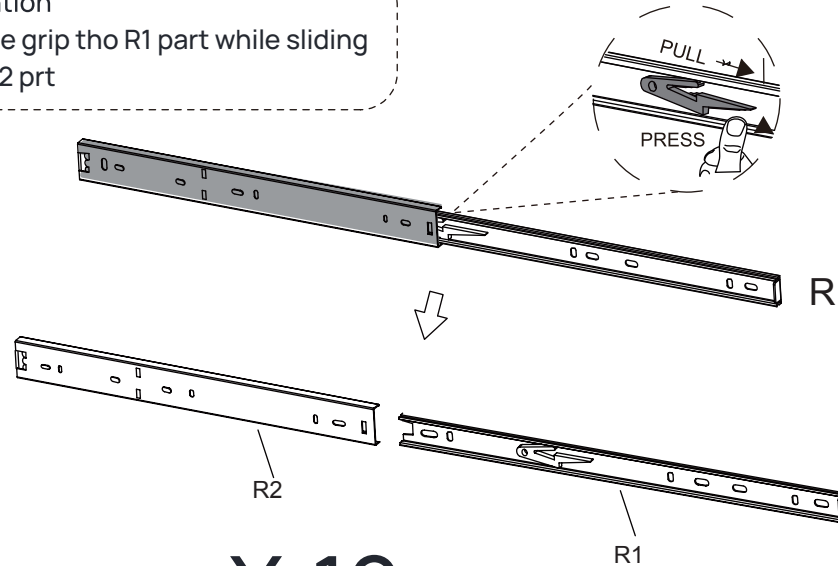
Code	Description	Quantity
A	Foot pad	4+1
B	ø3.5x12mm Screw	60+2
C	ø15x9.5mm Cam lock	50+2
D	ø6x24mm Cam bolt	50+2
E	ø8x30mm Wood dowel	30+2
F	Backboard clip	6+2
G	ø3x16mm Screw	6+2
H	ø6.8x48mm Screw	6+2
I	Hex key 4mm	1
J	ø4x30mm Screw	30+2

Code	Description	Quantity
K	ø6x30mm Wood dowel	10+2
L	Rebound device	5
M	ø4x13mm Screw	20+2
N	Wall bracket	2
O	Wall anchor	2
P	ø4x15mm Screw	2
Q	ø4x35mm Screw	2
R	Slide rail 340mm	10
S	ø4x35mm Screw	5

## Step 1

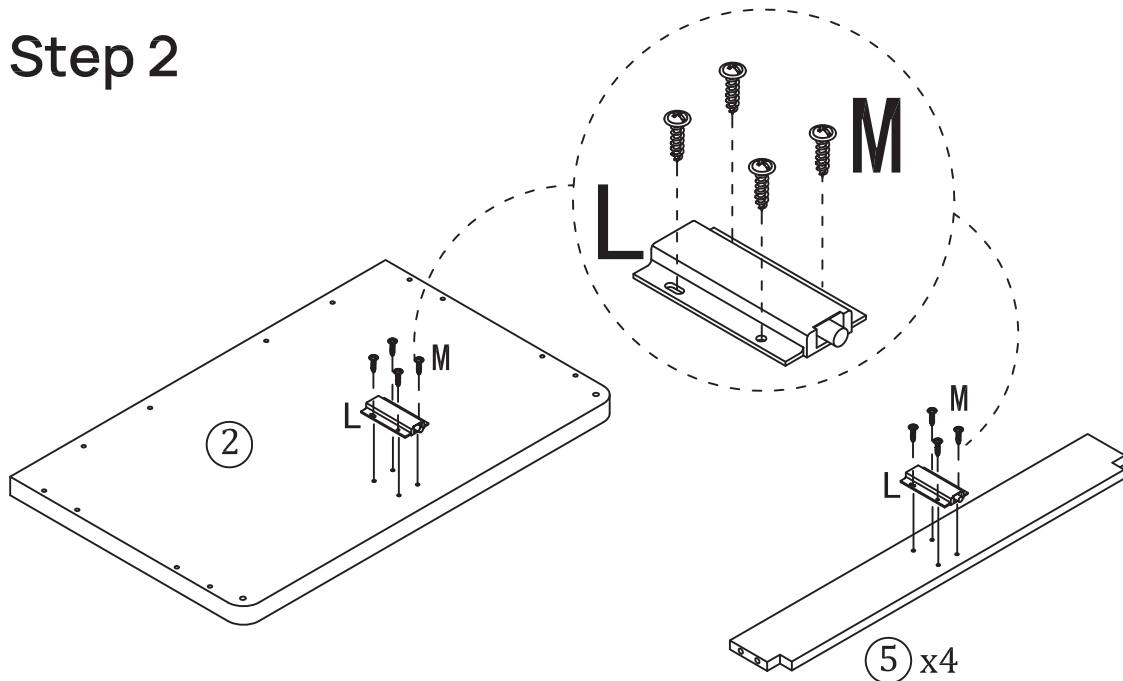
Press the plastic plastic part in the indicated direotinion to separate drawer runner R1 and R2 beore assembling.

Attention  
Ploase grip tho R1 part while sliding  
the R2 prt



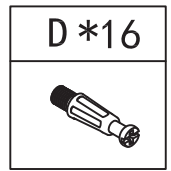
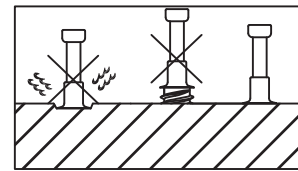
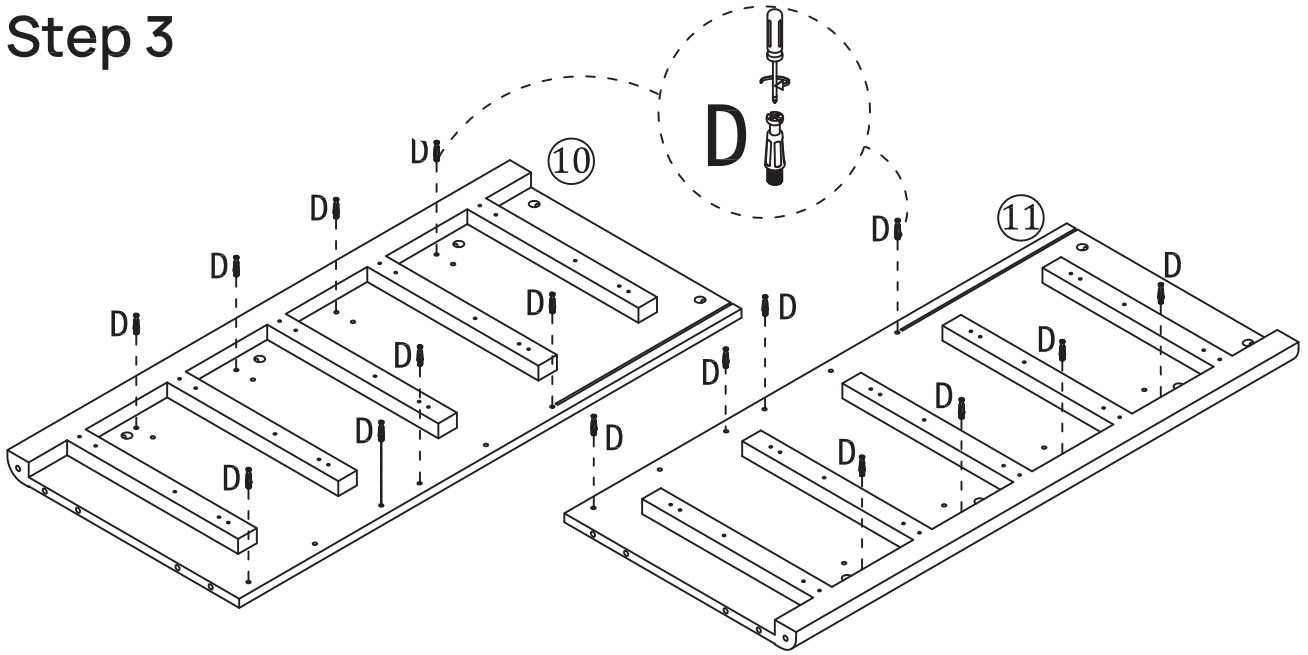
X 10

## Step 2

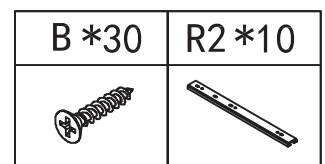
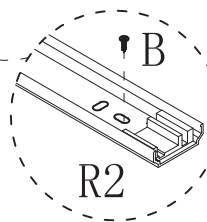
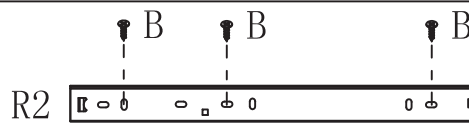
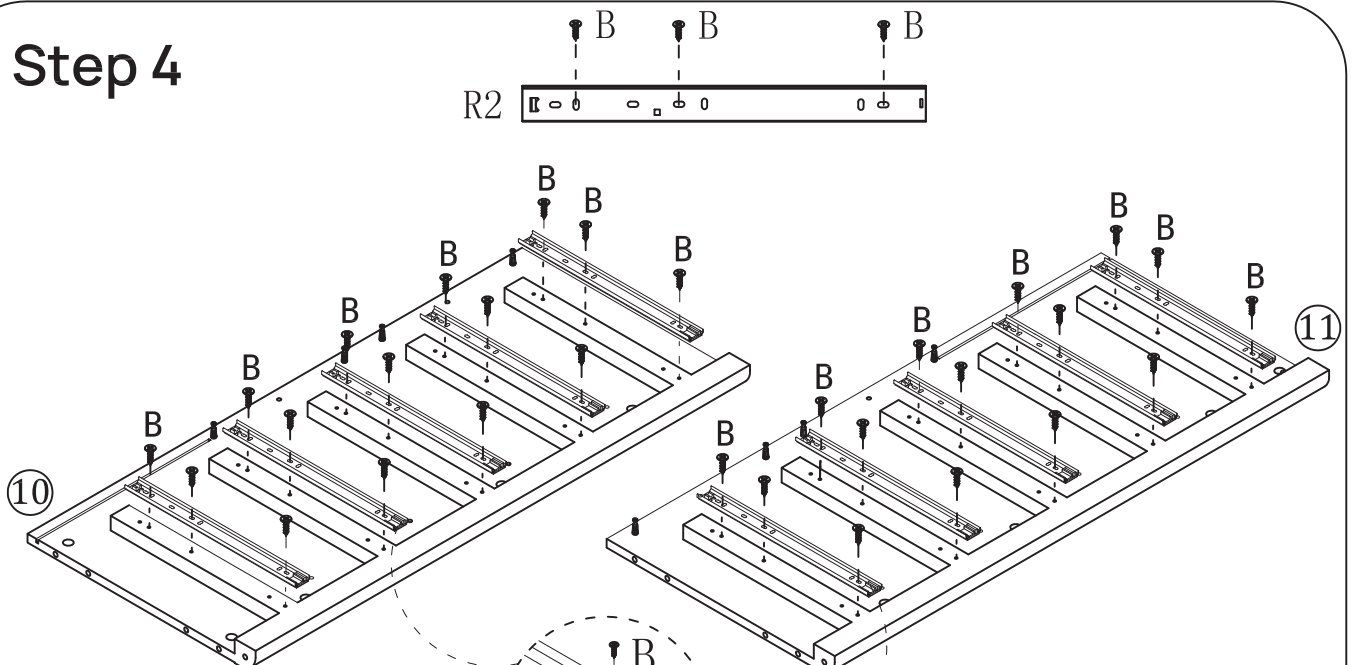


L *5	M *20

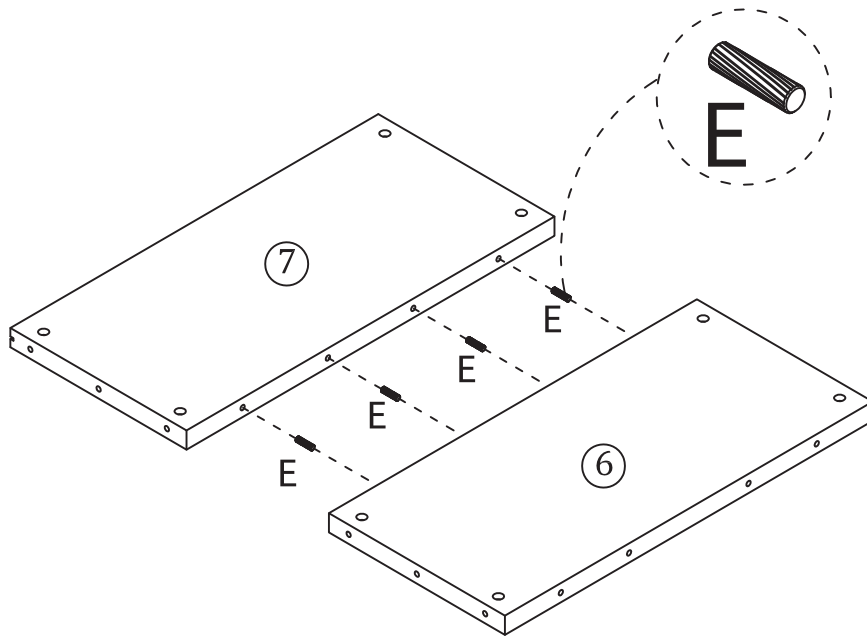
# Step 3



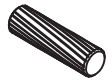
# Step 4



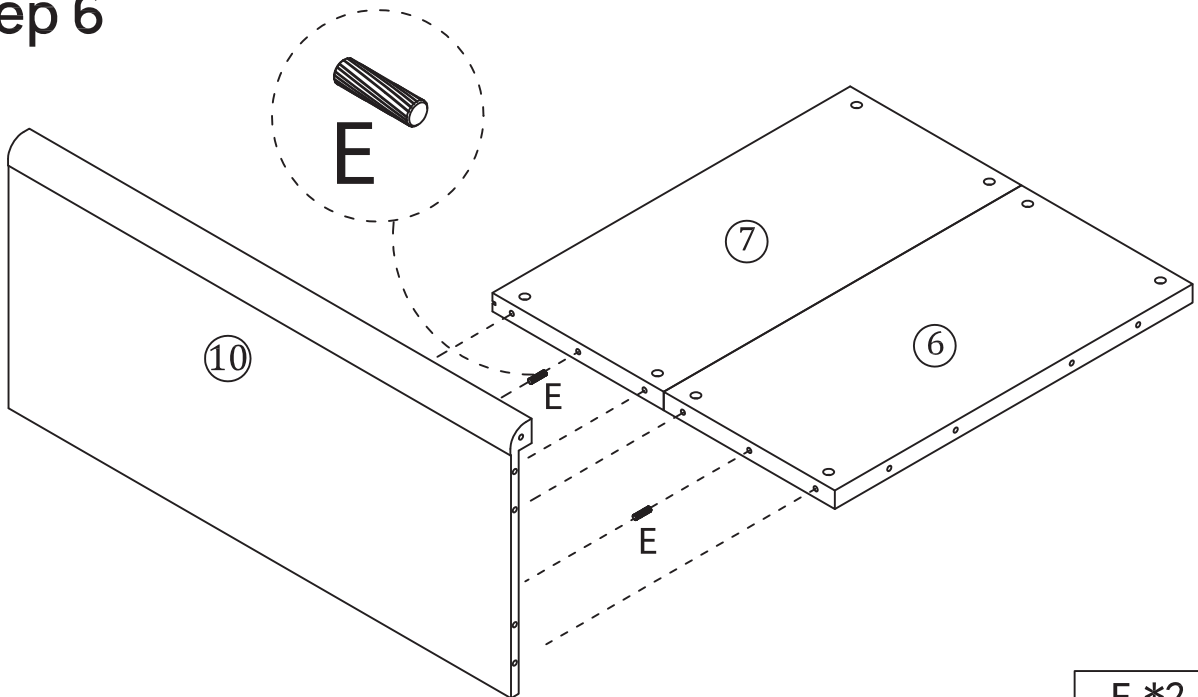
## Step 5



E \*4



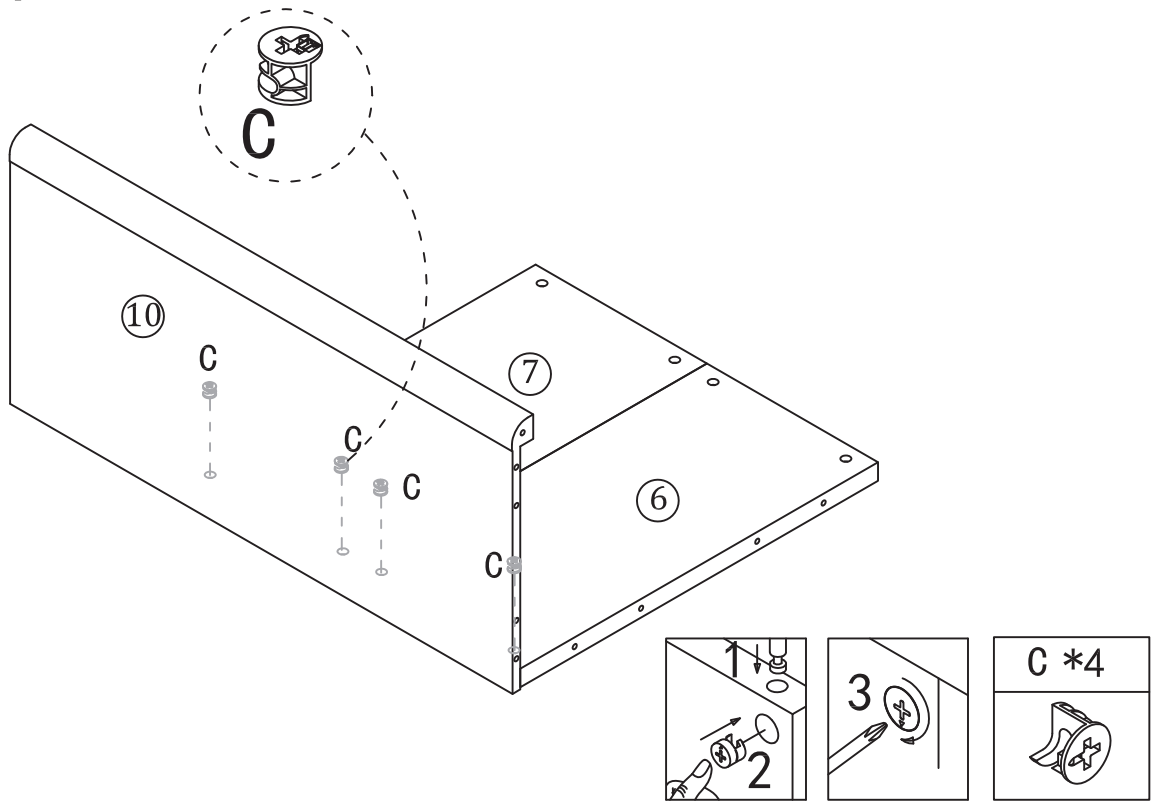
## Step 6



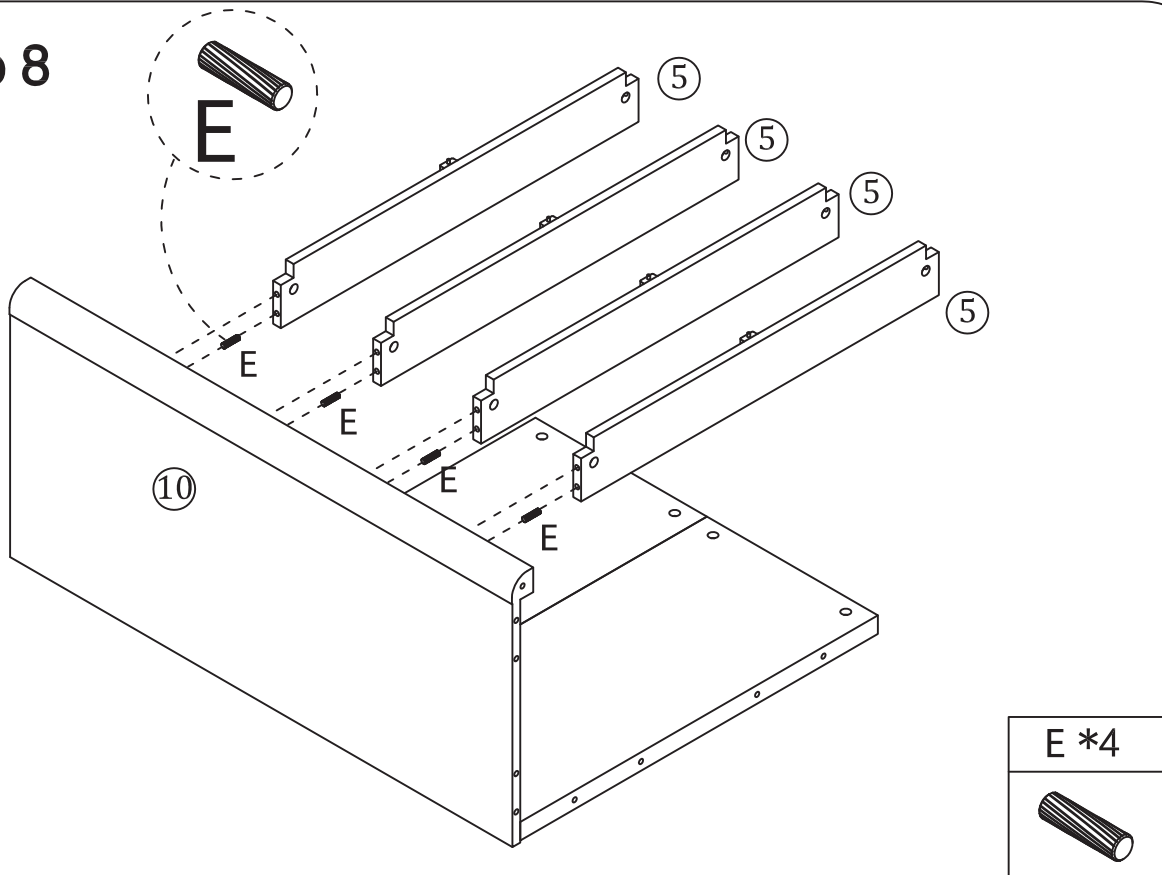
E \*2



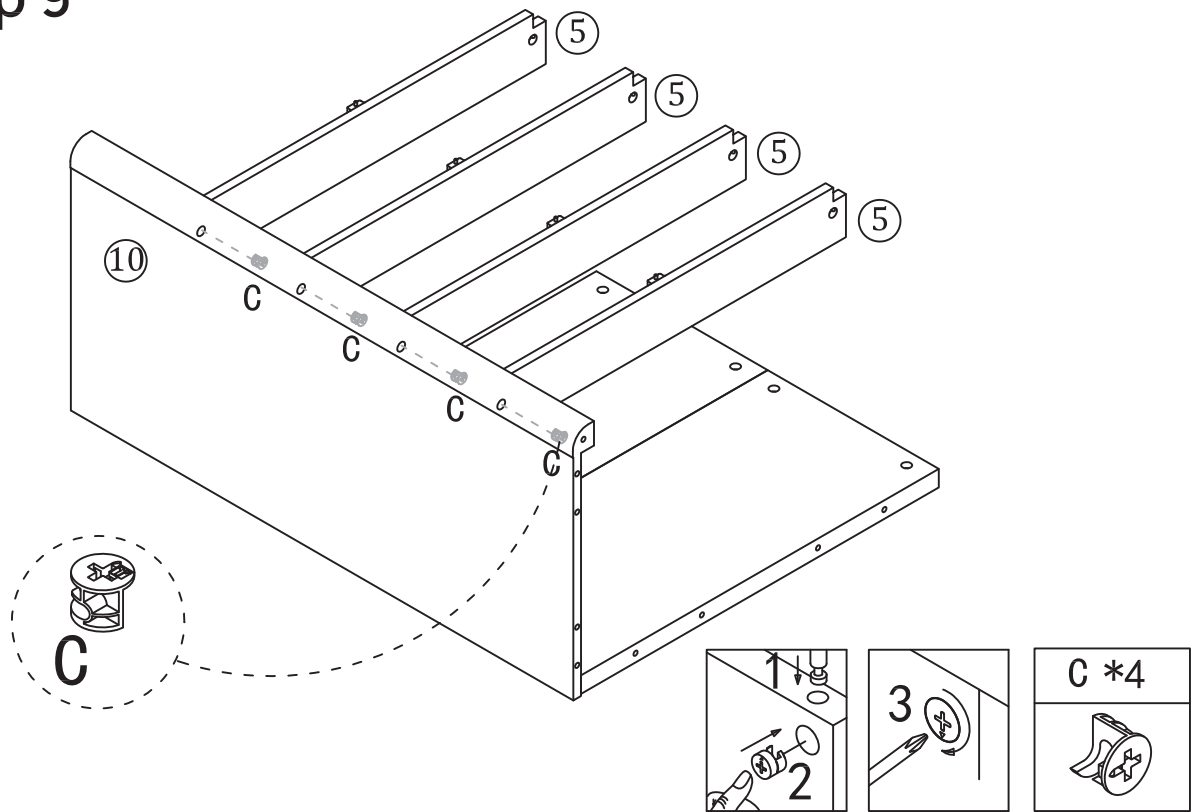
## Step 7



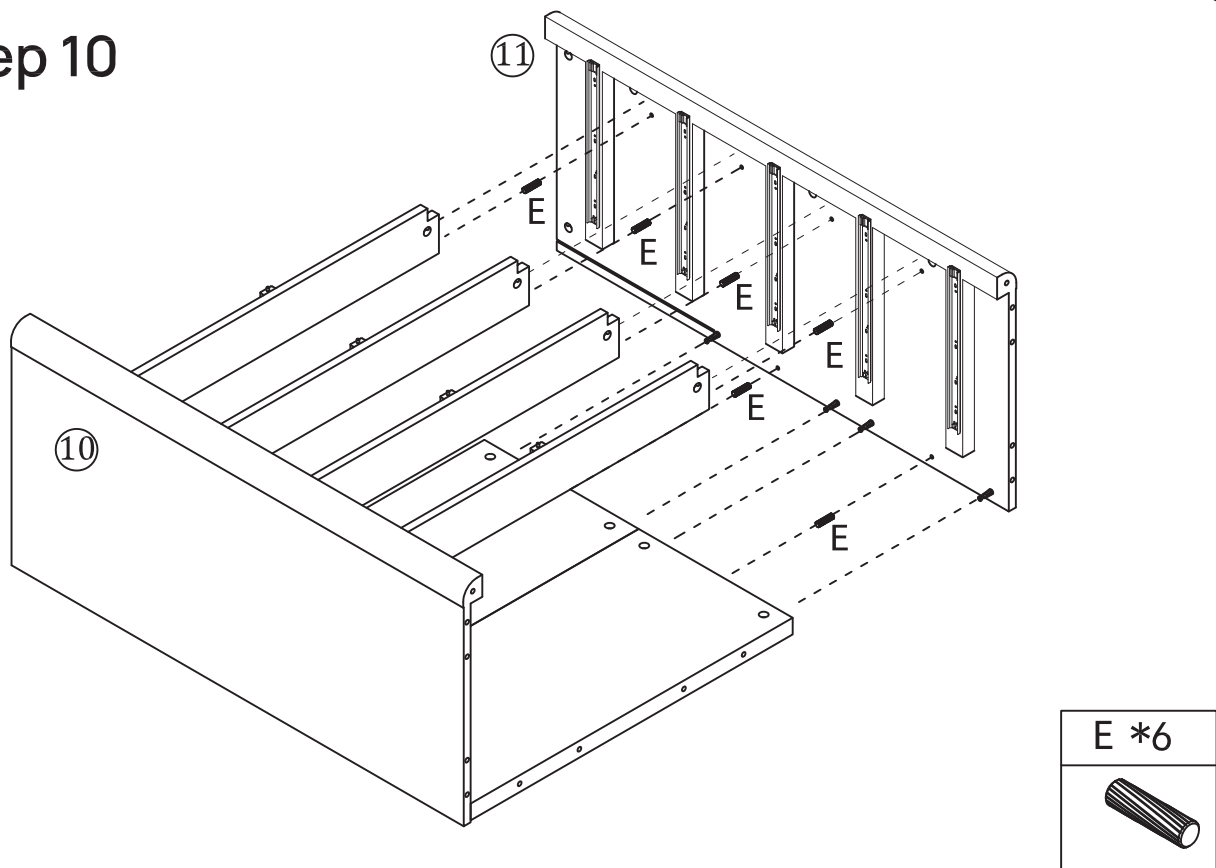
## Step 8



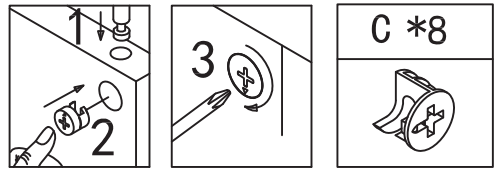
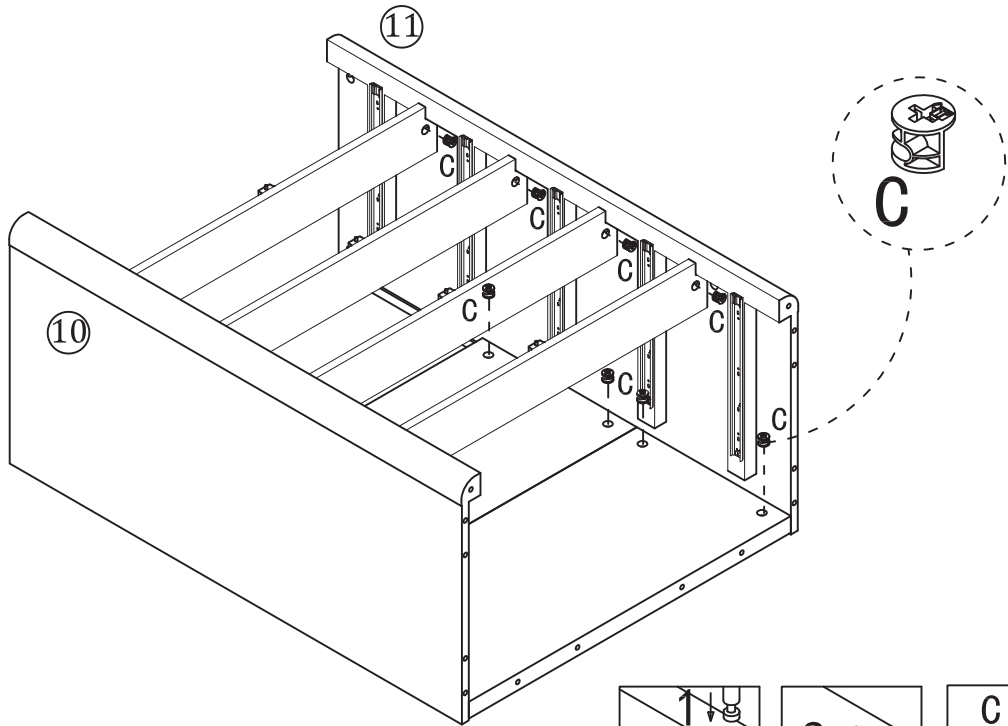
## Step 9



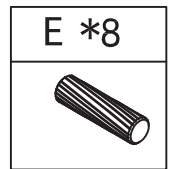
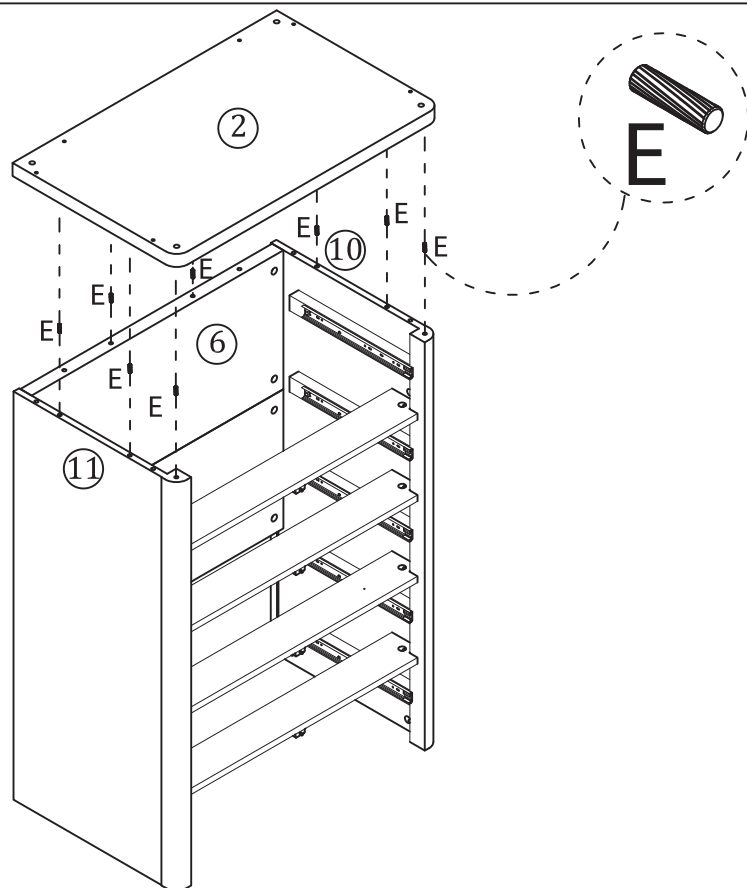
## Step 10



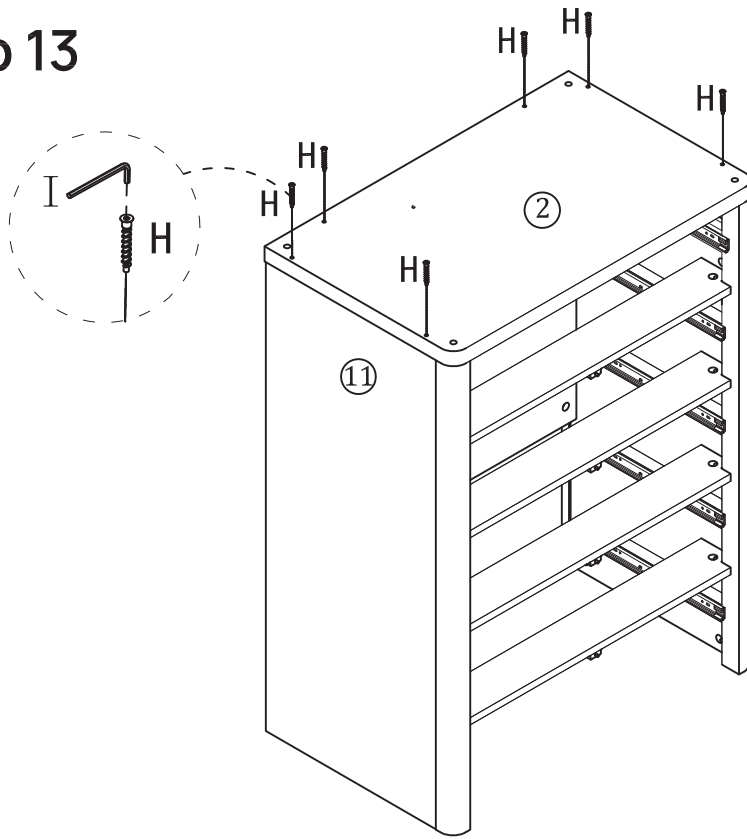
# Step 11





# Step 12

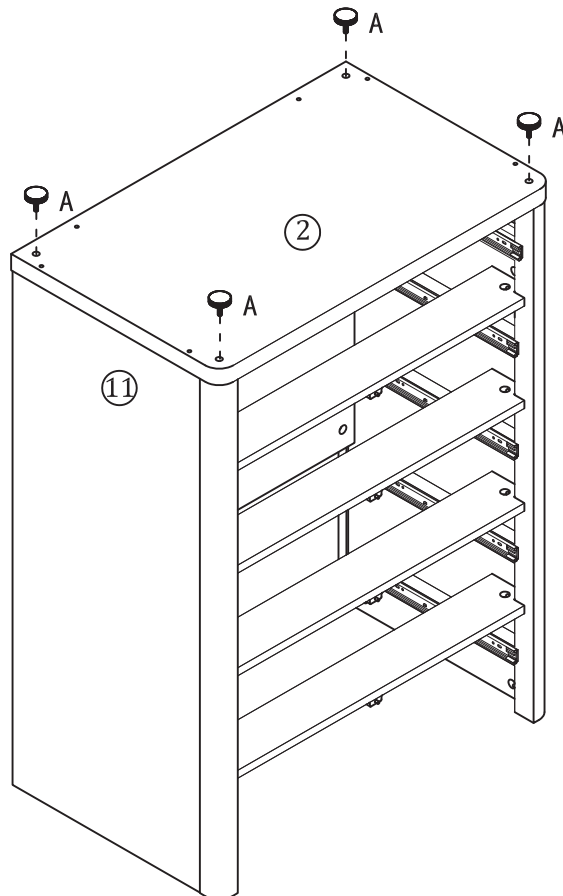



# Step 13



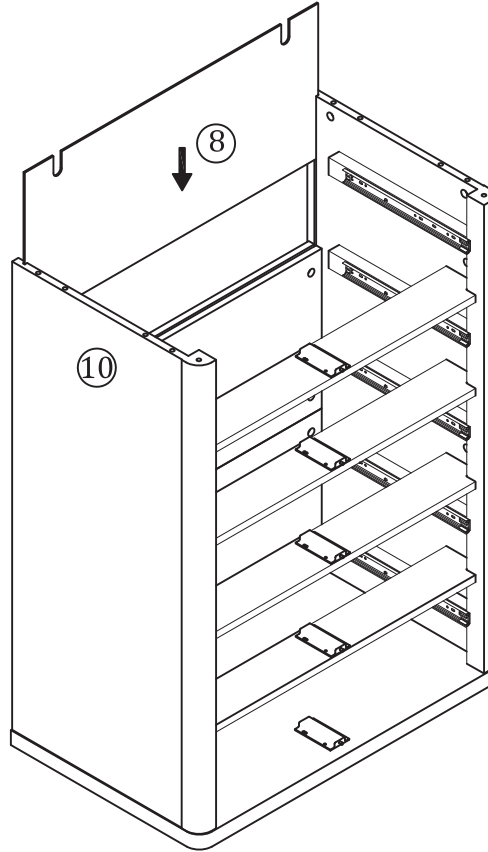
H *6	I *1
	

# Step 14

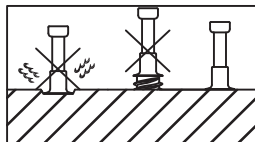
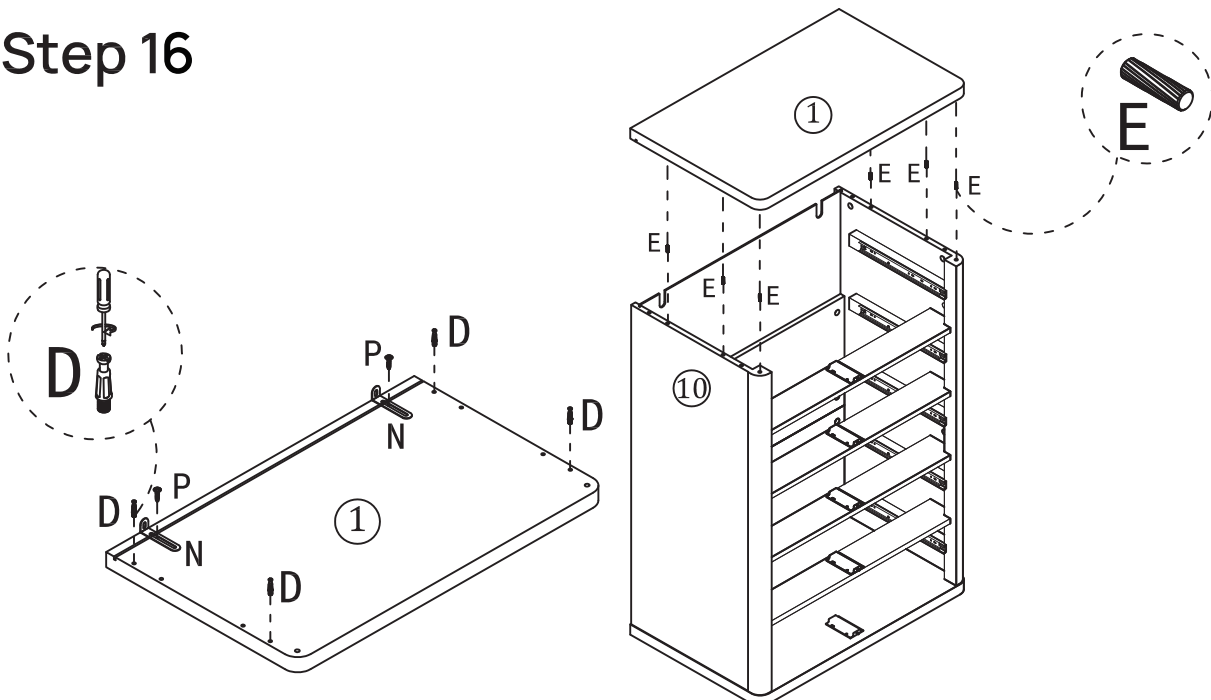






A *4


# Step 15

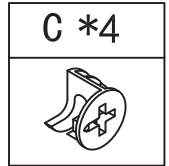
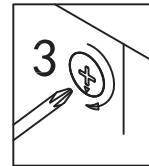
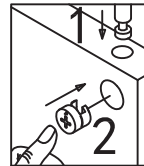
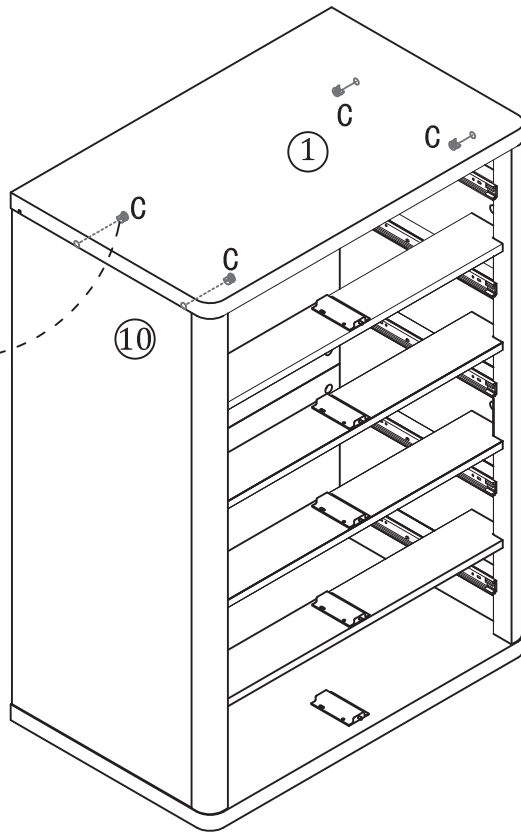
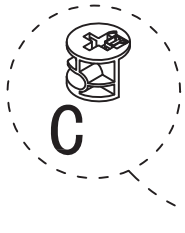


# Step 16

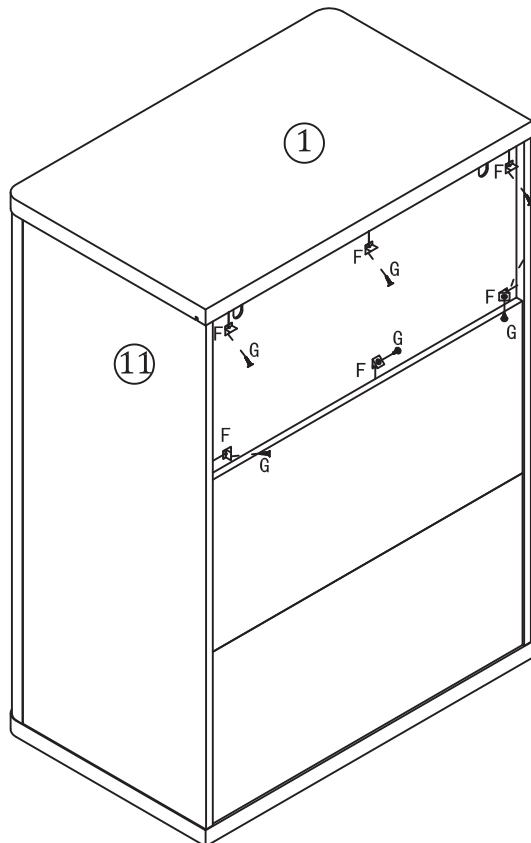


D*4	E*6	N*2	P*2
			

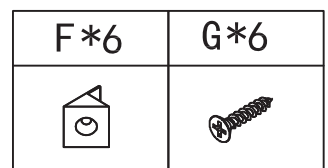
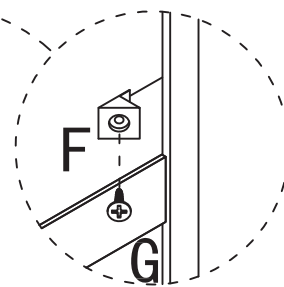
# Step 17



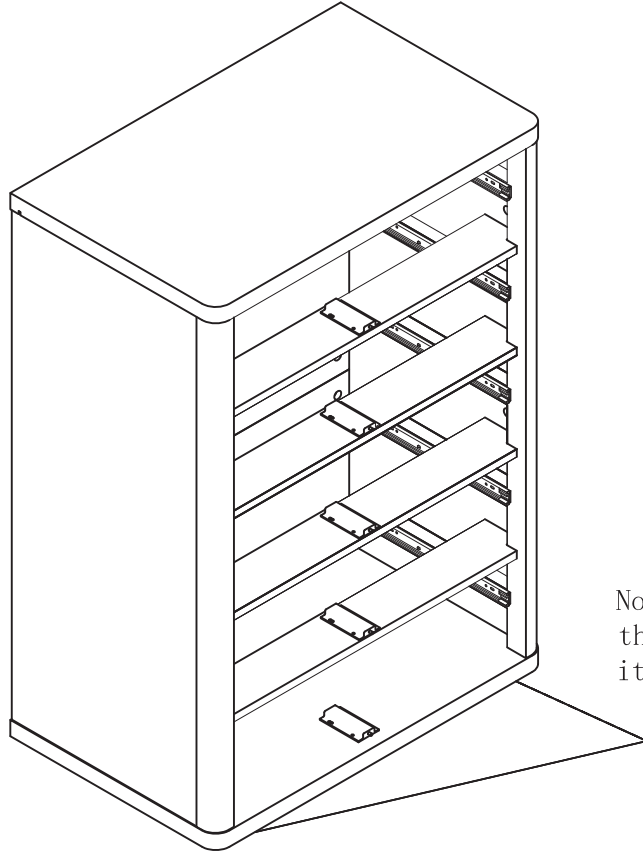
# Step 18



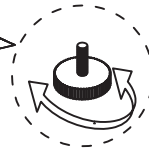
Must Be Installed



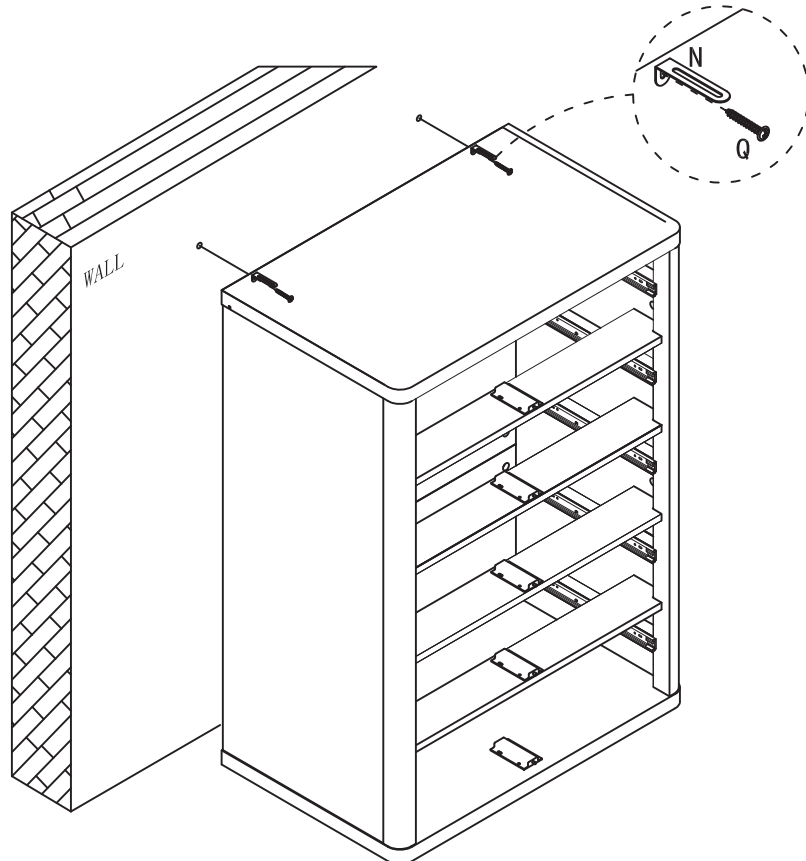
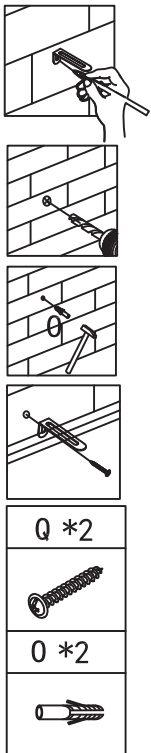
## Step 19



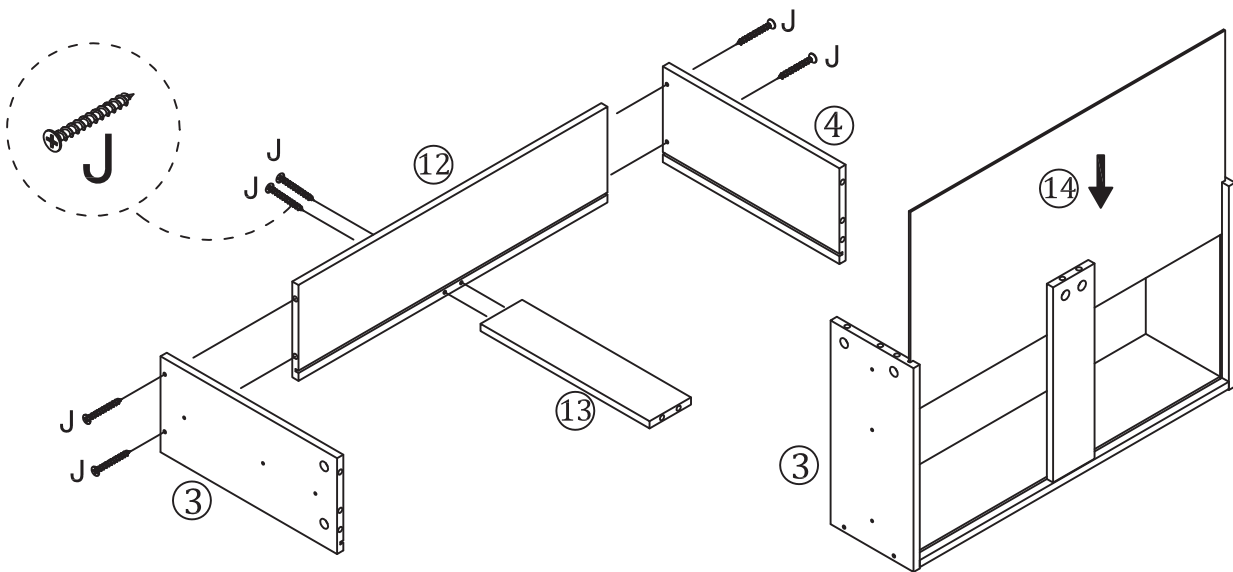
Note: You can adjust the height by rotating it left or right




## Step 20



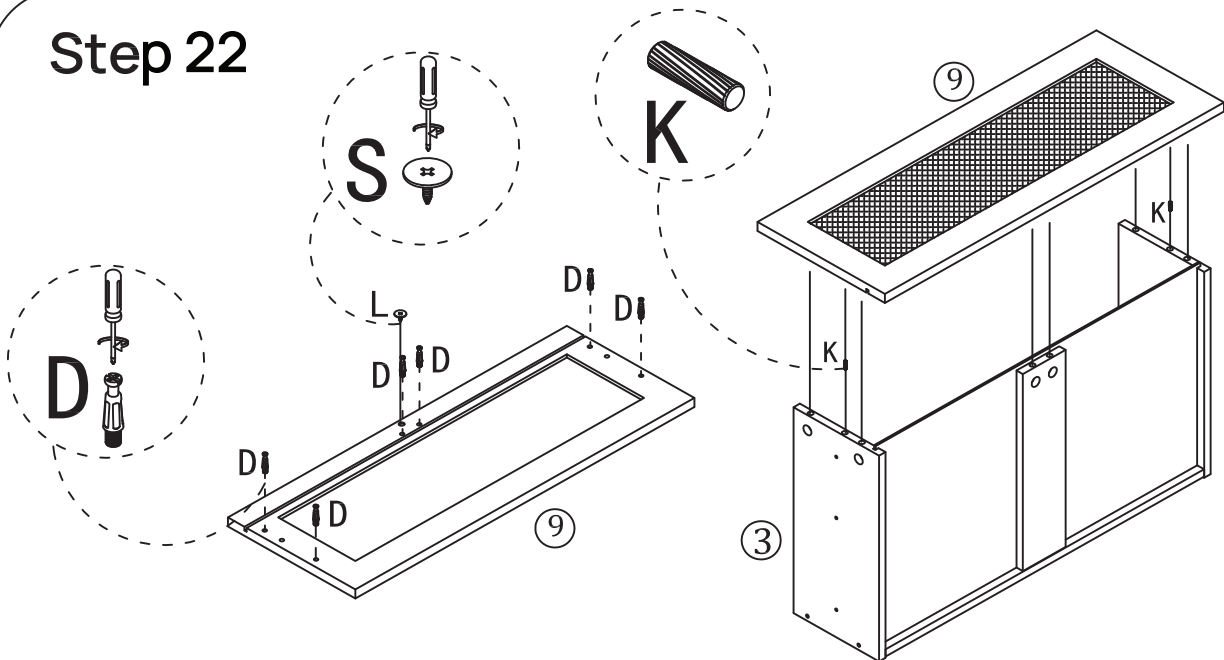
# Step 21






J *30


# X5

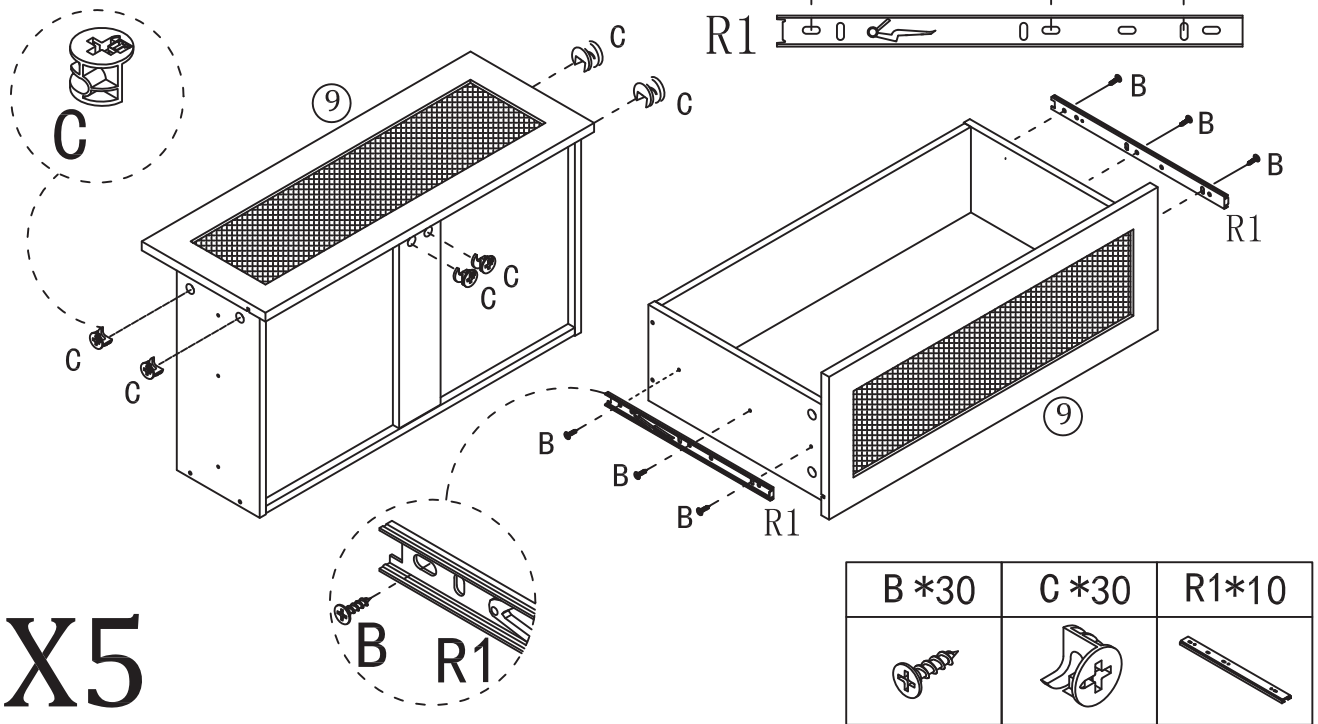
# Step 22



D *30	K *10	S *5
		

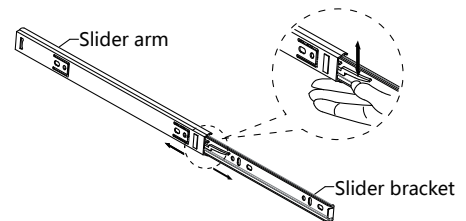
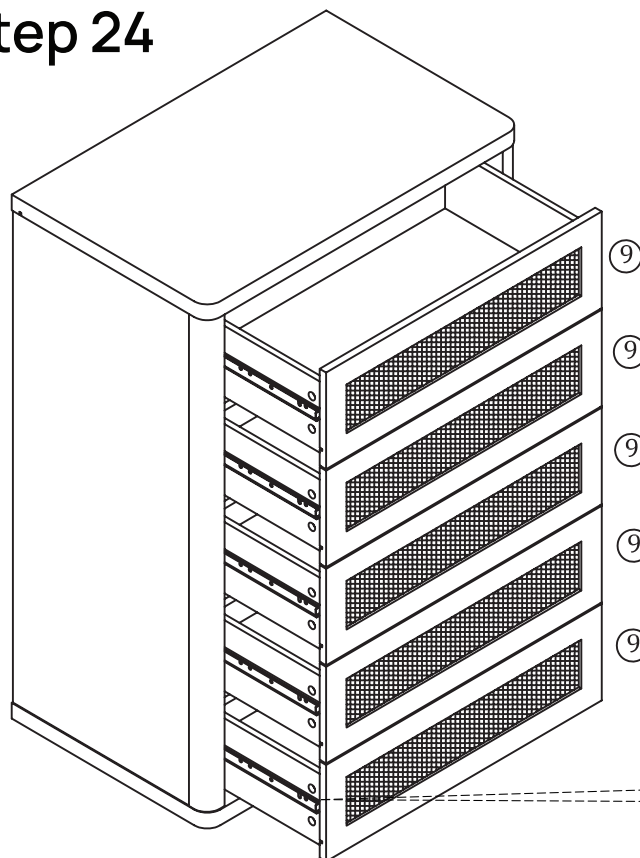
# X5

# Step 23



X5

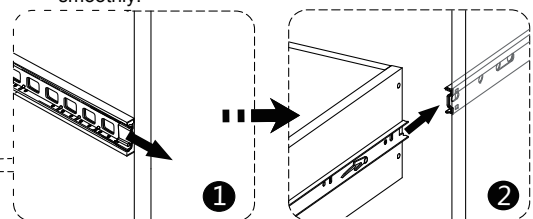
# Step 24



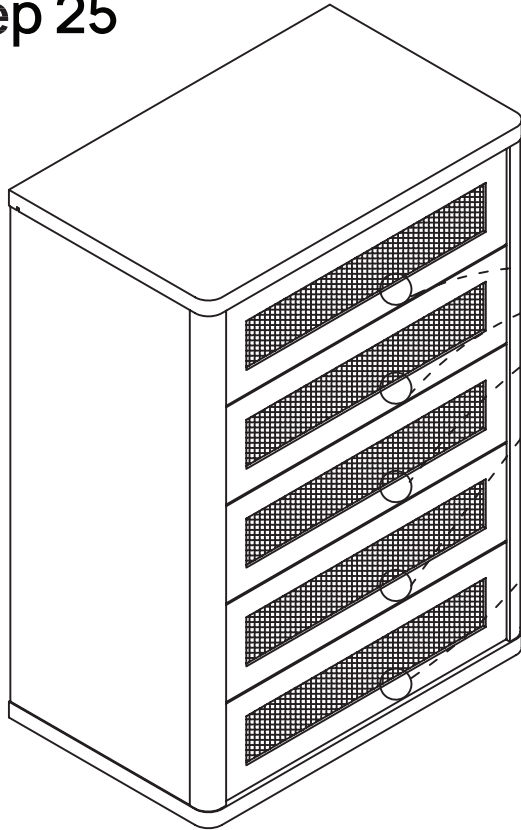
· Assembled the drawers as per diagram  
 Preparation: Slide the inner rail (movable track) to the frontmost position  
 Precise installation: Position the drawer horizontally. Align both slide rails precisely, then push inward with steady, even pressure until you hear a "click," indicating the lock is engaged. Installation complete.

**WARNING: NEVER FORCE the drawer!** Incorrect start position or forcing the drawer will cause ball bearings to fall out and damage the slide.

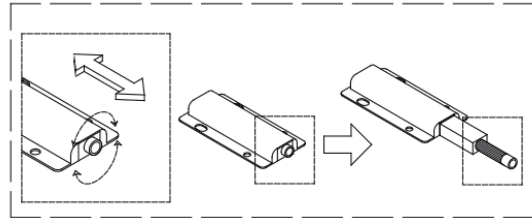
**Note:** If the drawer does not slide smoothly, lift the release lever on one side and press it downward on the other side at the same time. Pull out the slider bracket from the slider arm, then re-assemble the drawer until they go in smoothly.



## Step 25



Operating Instruction: To open or close the drawer, press the area near the drawer front panel that has a rebound device.



Note: You can adjust the knob of the bouncer to control the bouncing effect

## Step 26

