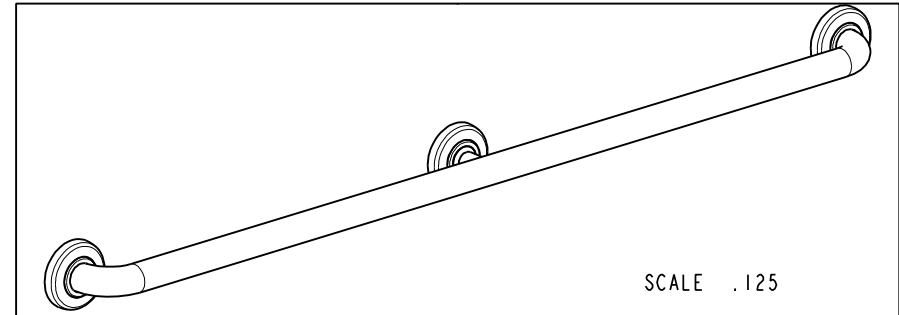
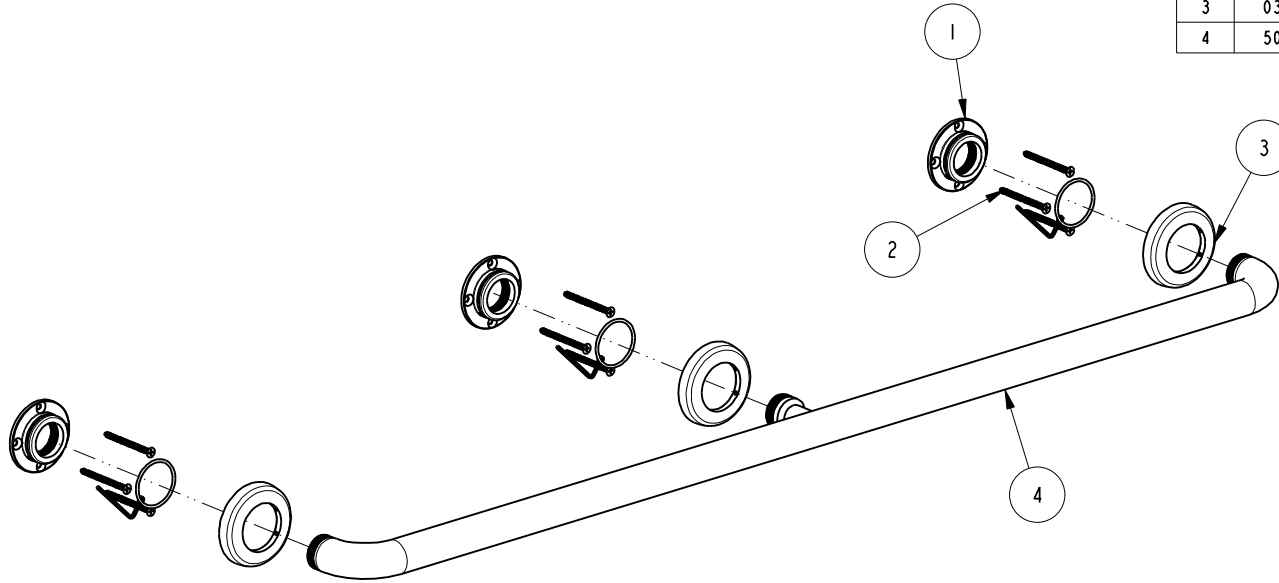


NOTES:

1. TO INSPECT ASSEMBLY, FOLLOW FIRST ARTICLE AND IN PROCESS INSPECTION SHEET.

**BILL OF MATERIAL (CURRENT LEVEL)**

ITEM	PT/ASSY	DESCRIPTION	TYPE	QTY.
1	1995	MOUNTING FLANGE	PART	3
2	199X	GRAB BAR MOUNTING HARDWARE PACK	ASSEMBLY	3
3	0372	DECORATIVE RING	PART	3
4	5086	42" GRAB BAR, ADAPTER AND POST ASSY	ASSEMBLY	1



ZONE	REV	DESCRIPTION	DATE	APPROVED
-	D	EN-4300i	06/22/21	R.S.
-	C	EN-4143	03/20/20	J.M.
-	B	EN-2635	10/29/13	N.S.
-	A	EN-1009	11/20/09	J.M.

COPYRIGHT 2005 BRASSTECH, INC. THESE DRAWINGS AND THE DESIGNS DEPICTED HEREIN ARE THE PROPRIETARY PROPERTY OF BRASSTECH. ANY USE OR REPRODUCTION IS SUBJECT TO THE EXPRESS APPROVAL OF BRASSTECH. UNAUTHORIZED USE IS STRICTLY PROHIBITED. ALL RIGHTS RESERVED.

TESTING	ASSEMBLY	PLATING	POLISHING	MACHINING	TOOLING FIXTURE #	APPLICATION
-	-	-	-	-	-	REMOVE ALL BURRS AND SHARP EDGES
-	-	-	-	-	-	USED ON
-	-	-	-	-	-	REMOVE ALL BURRS AND SHARP EDGES

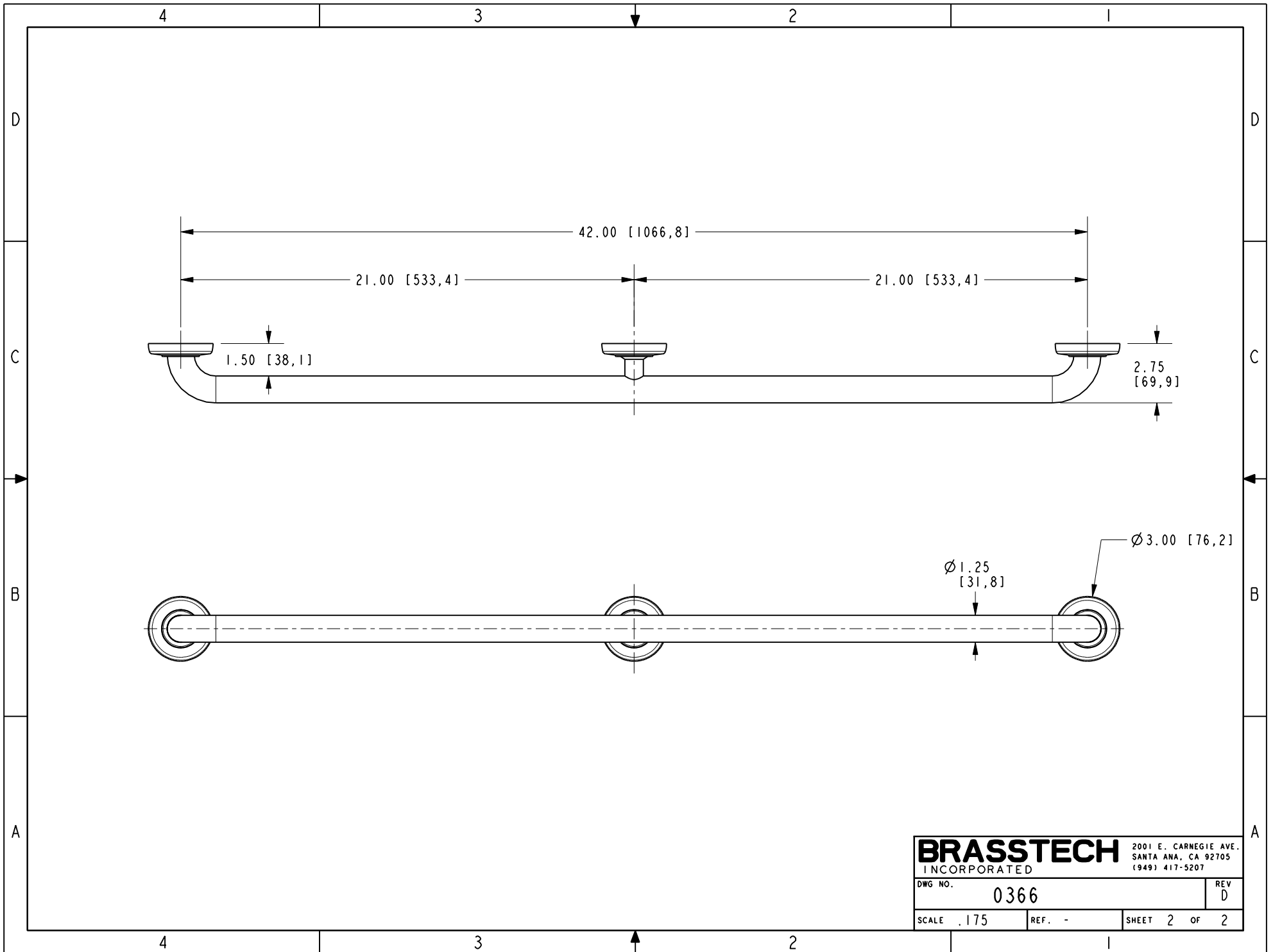
UNITS ARE: INCHES [MM]	
TOLERANCES ARE:	
FRACTIONS DECIMALS	ANGLES
±1/16"	±1°
.X ±.1 [2.5]	
.XX ±.06 [1.5]	
(X.XXX) DENOTES CRITICAL DIMS.	
ALL THREADS ARE CRITICAL	
DRAWN	JINSON
06/22/21	
CHECKED	R.S.
06/22/21	
APPROVED	R.S.
06/22/21	

**BRASSTECH** 2001 CARNEGIE AVE.  
INCORPORATED SANTA ANA, CA 92705  
(949) 417-5207

**42" CURVED GRAB BAR ASSEMBLY**

DWG NO. **0366** REV **D**

SCALE .150 REF. - SHEET 1 OF 2



<b>BRASSTECH</b>		2001 E. CARNEGIE AVE. SANTA ANA, CA 92705 (949) 417-5207	
DWG NO.	0366	REV	D
SCALE	.175	REF.	-
SHEET 2		OF 2	