










Assembly Instructions

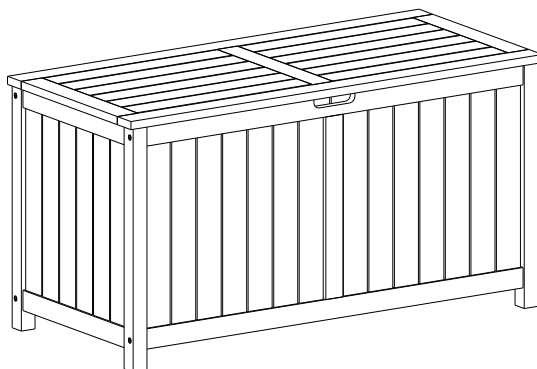
CAUTION: You must read this before you proceed

Care & Maintenance

- ⊘  • Not for commercial use. For residential use only.
- ⊘  • Do not put hot items directly on furniture surface.
- ⊘  • Do not clean furniture with harsh cleansers or polish.
- ✓  • To obtain the longest lifespan of your outdoor products, minimizing exposure to direct sunlight is recommended.
- ⊘  • Children should not climb or jump on the furniture.
- ⊘  • Do not write on furniture without a padded barrier to protect the surface.
- ✓  • To obtain the longest lifespan of your outdoor products, avoid extended and lengthy exposure to rain, snow, and direct sunshine. Whenever possible cover the product and /or place under patio or awnings.
- ⊘  • Stains may be removed with mild soap solution and damp cloth.
- ✓  • Dust and pick-up spills using a clean, non-colored, lint-free cloth.

Please look in Front Panel for hardware packs

DECK BOX

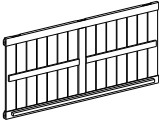
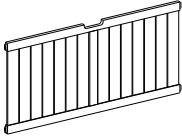
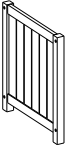

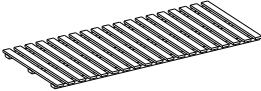
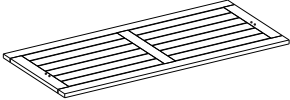


CAUTION: This Deck Box is NOT a TOY.

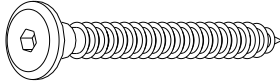
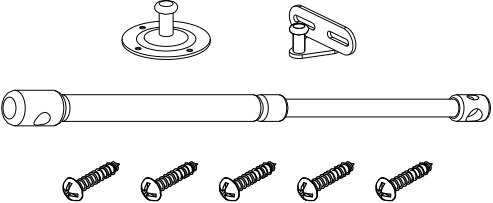
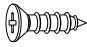

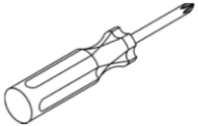
Keep your child / children at bay in the process of assembly.

For turning the Deck Box and to prevent damage to the Deck Box, 02 persons may be needed to execute this action.

Parts List

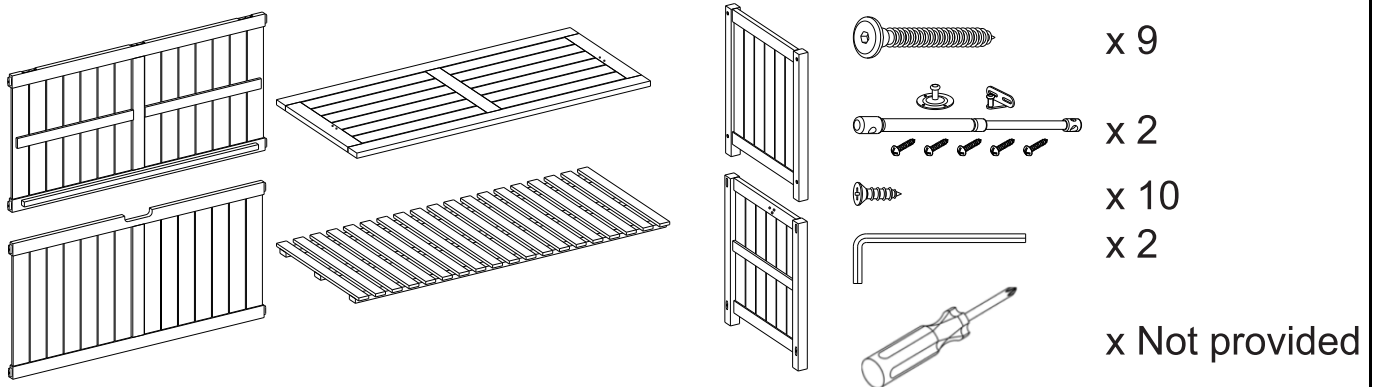
Label	Picture	Description	Qty
A		Back Panel	1
B		Front Panel	1
C		Left Side Panel	1
C - 1		Right Side Panel	1
D		Bottom Panel	1
E		Top Panel	1

Hardware

Label	Picture	Description	Qty
①		Screw (M7 x 70)	9 pcs
②		Hydraulic cylinder	2 sets
③		Screw (M3.5 x 15)	10 pcs
④		Allen Wrench	2 pcs
⑤		Screwdriver (Not provided)	1 pc

Assembly Preparation

Before Beginning Assembly:



• Read instructions, cover to cover-



• Have 2 adults on hand for assembly-



• Do not assemble on flooring or carpet-

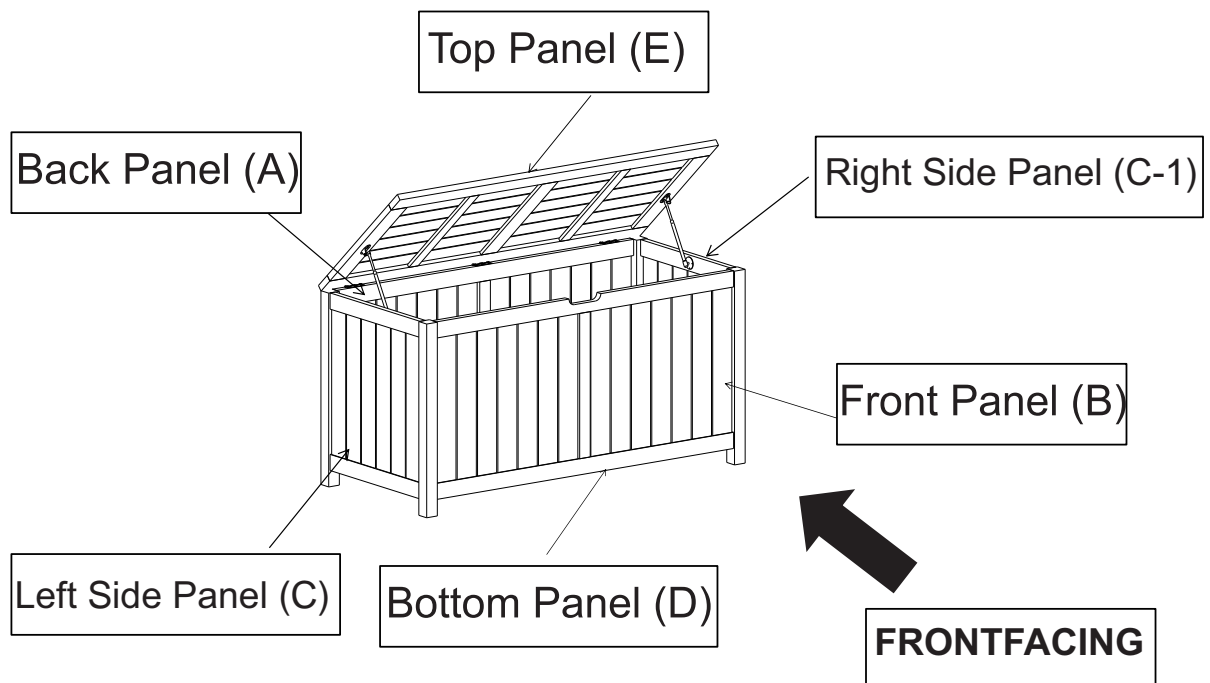


• Assemble on a clean non-marring surface (packing foam)-



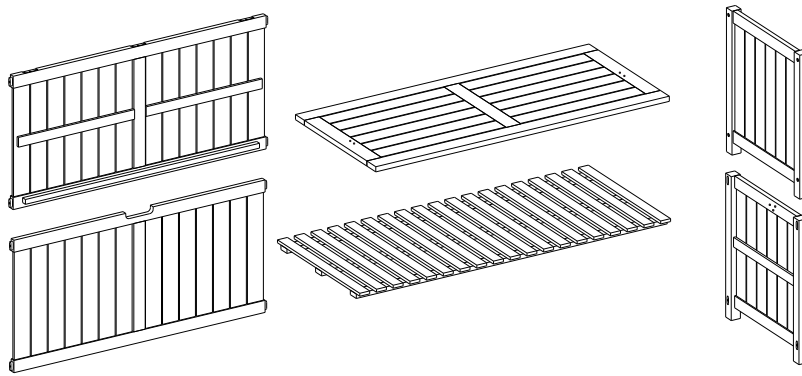
• Save all packaging until finished-

Assembly Steps



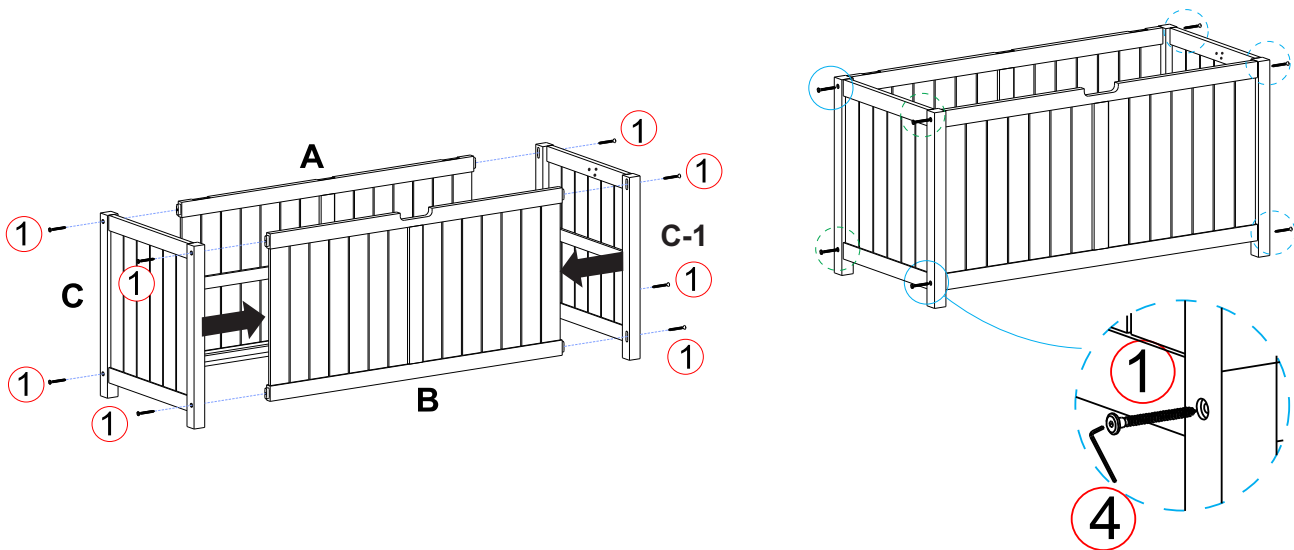
This Deck box has multiple parts and may require up to 20 minutes to assemble. To give you an overview of the Deck box, the above picture is to help you put the various parts into perspective. Please read through the instructions here below to familiarise yourself with the parts and steps before assembly.

Step 1



Unpack and place all parts on a clean, non-marring surface.

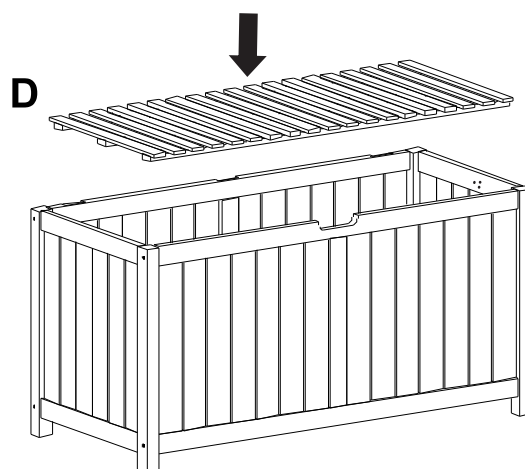
Step 2



Attach the Side Panels (C), (C-1) to the Back Panel (A) and the Front Panel (B), using 8 screws (1) and the Allen Wrench (4) as show above.

Do not fully tighten the screws

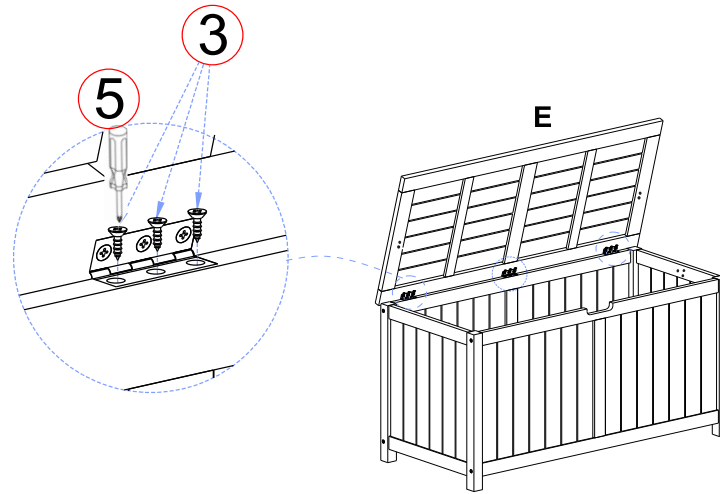
Step 3:



Place the Bottom Panel (D) into the deck box as shown in the picture above.

Do not fully tighten the screws

Step 4:

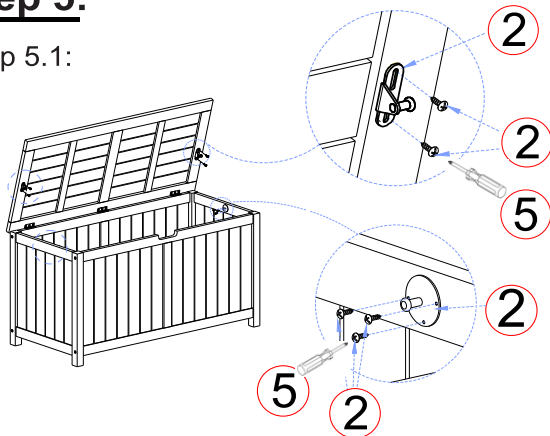


Attach the Top Panel (E) to the Back Panel (A), using 9 Screws (③) and the Screwdriver (⑤)

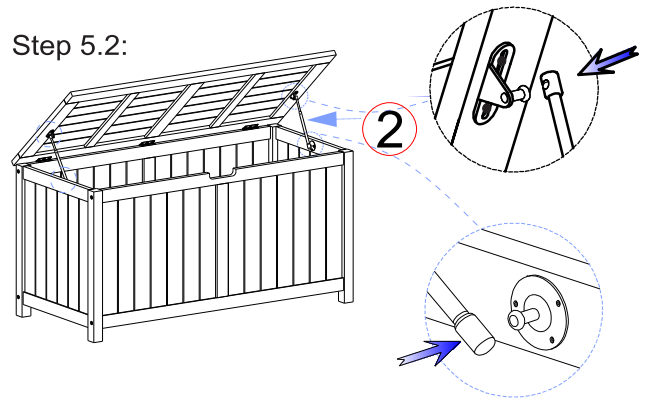
Do not fully tighten the screws

Step 5:

Step 5.1:



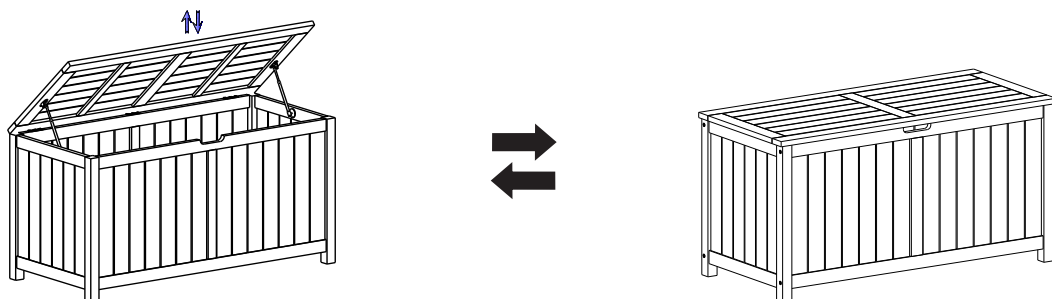
Step 5.2:



Use hydraulic cylinder (②) to assemble into the Top Panel (E) and the Side Panel (C).

Do not fully tighten the screws

Step 6:



Now tighten all Screws at all joints in a sequential manner.

When tightening the Screws tighten sequentially.

Do not tighten any Screw fully and then move on towards the next one.

Your Deck box is ready for use.

Caution: The Deck box is not a seating, please do not seat or stand on it.

This Deck box can only be used on a flat, level surface.