

WARNING!!

Children have died from furniture tipover. Tip restraints have been included with this product; you must install the tip restraints according to these instructions in order to minimize the risk of furniture tipping. If you have any questions about this product or the tip restraint, please contact us.

NEVER allow children to climb or hang on furniture, including drawers or cabinet doors.

In addition to installing the restrains, to help prevent tip-over

1. **NEVER** put a TV or other heavy objects on top of this product".
2. Do not stand on the product

⚠ WARNING	
	<p>Children have died from furniture tipover. To reduce the risk of furniture tipover:</p> <ul style="list-style-type: none">• ALWAYS install tipover restraint provided.• NEVER put a TV on this product.• NEVER allow children to stand, climb or hang on drawers, doors, or shelves.• NEVER open more than one drawer at a time.• Place heaviest items in the lowest drawers.• Do not defeat or remove the drawer interlock system.
	<p><i>This is a permanent label. Do not remove!</i></p>

Assembly Instructions




Caution : You must read this before you proceed

Please look in carton for hardware packs and legs.


Table



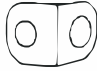

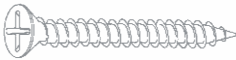







Parts List

Label	Picture	Description	QTY
A		Table Top	1
B		Leg	2
C		Handle	2

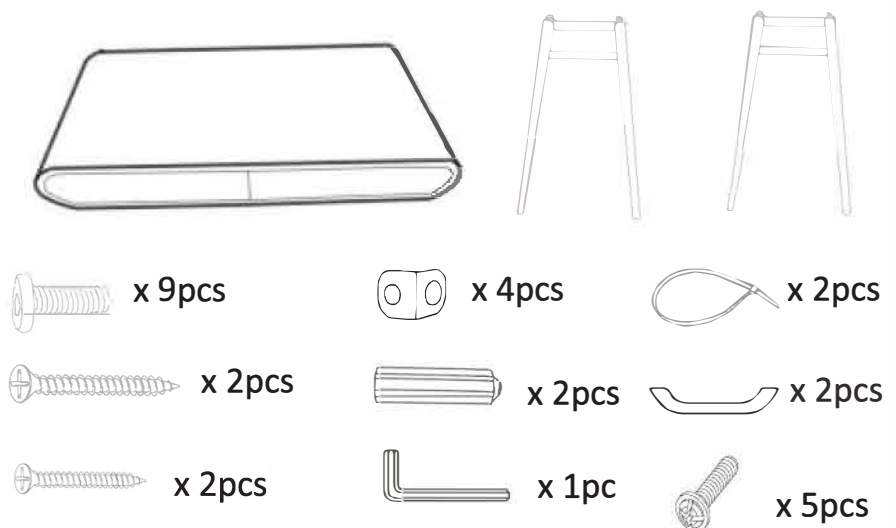
Hardware

Label	Picture	Description	QTY
①		Bolt (M8*16mm)	9

②		Allen Key	1
③		Bolt (M4*25mm)	5
Table Restraint Device Hardware			
④		Metal Bracket	4
⑤		Wall Plug	2
⑥		Wall Plug Screw (M4*30mm)	2
⑦		Screw (M4*12mm)	2
⑧		Restraint Strap	2
⑨		Screwdriver (not provided)	1
⑩		Power Drill (not provided)	1
⑪		Hammer (not provided)	1

Assembly Preparation

Before Beginning
Assembly:





- Read instructions, cover to cover-



- Have 2 adults on hand for assembly-



- Do not assemble on flooring or carpet-



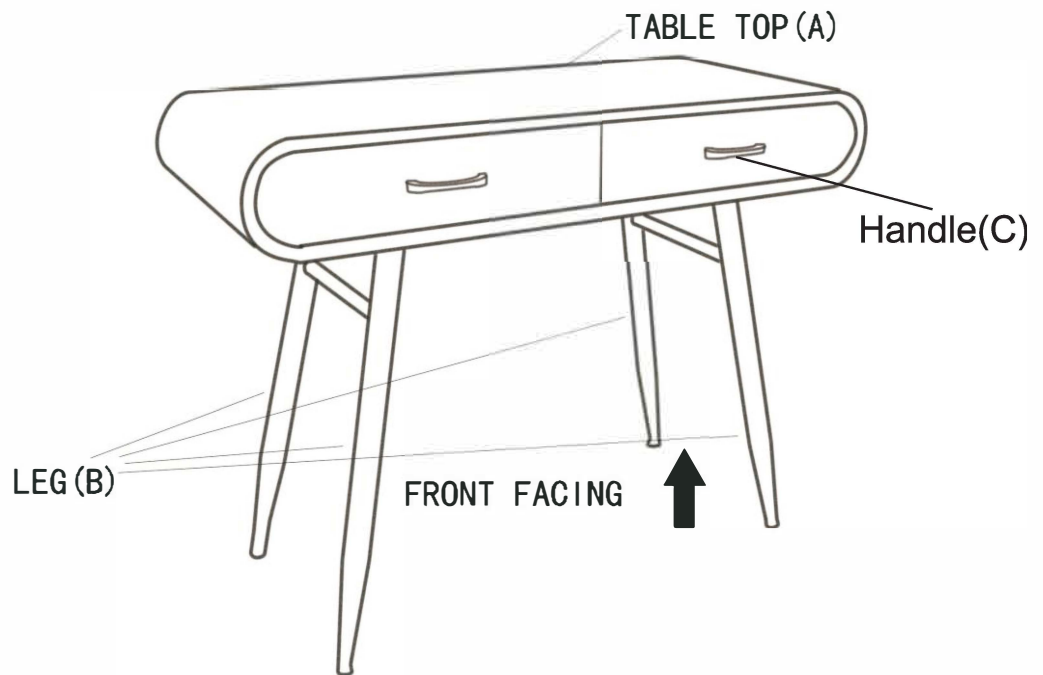
- Assemble on a clean non-marring surface (packing foam)-



- Save all packaging until finished-

Assembly Steps

Overview

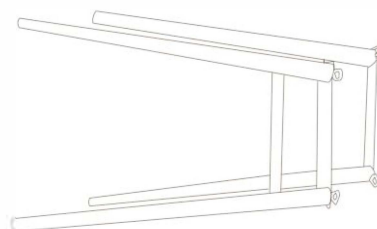


This Table has multiple parts and may require up to some 30 minutes to assemble.

To give you an overview of the Table parts, the above picture is to help you put the various parts into perspective.

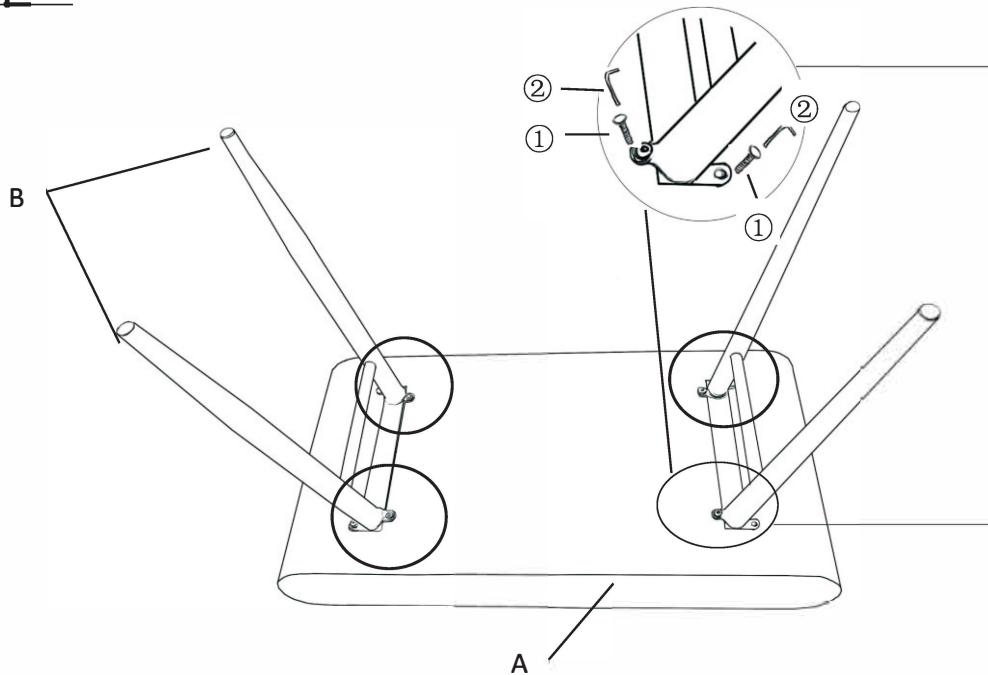
Please read through the instructions herebelow to familiarise yourself with the parts and steps before assembly.

Step 1



Unpack and place all parts on a clean, non-marring surface. with the help of your adult partner.

Step 2

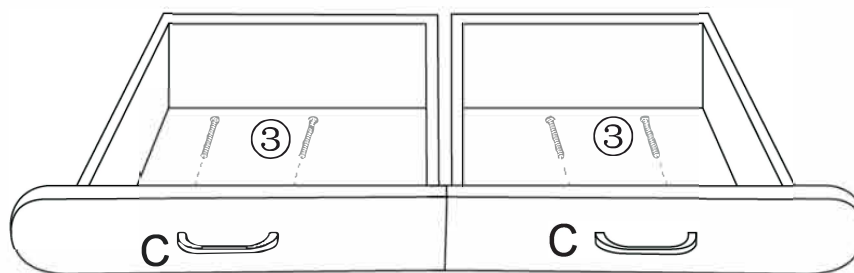


Insert the Leg into the leg position in the Table Top(A).
Attach the Leg(B) to the Table Top(A) using Bolt(1) , with Alley Key(2).

Only Loosely Tighten the Bolts at this stage.

Repet this process with the remaining Legs.

Step 3



Attach the Handle(C) to the drawer of Table Top(A) using Bolt(3) with Screwdriver(9).

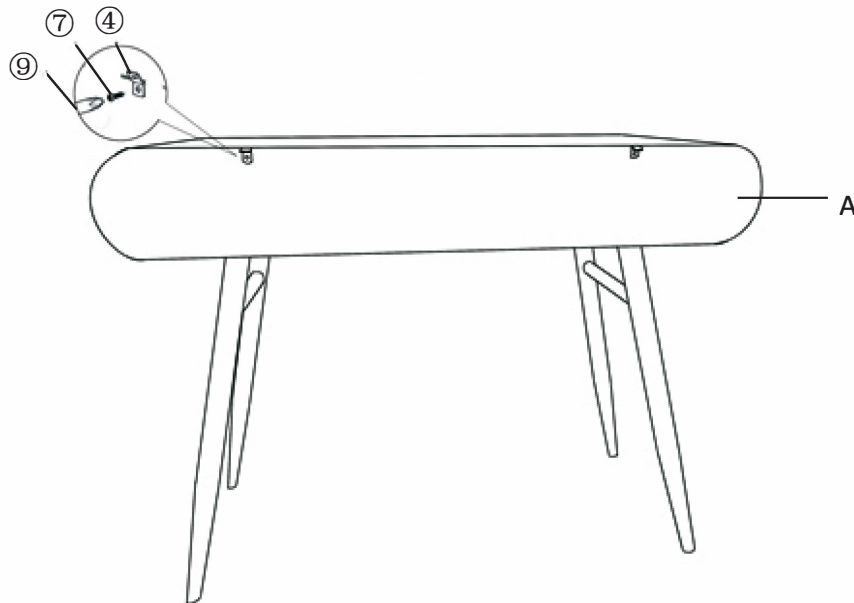
Step 4



With the help of your partner, carefully stand the Table up. Place your Table on a level surface, to check for wobbles. If there is a wobble, press the Table softly downwards with your hands to make the Table level. Then turn the Table over with the help of your adult partner, and tighten all Bolts completely. If it isn't a wobble, turn the Table over with the help of your adult partner, and tighten all Bolts completely.

For your safety , suggest to install the following steps.

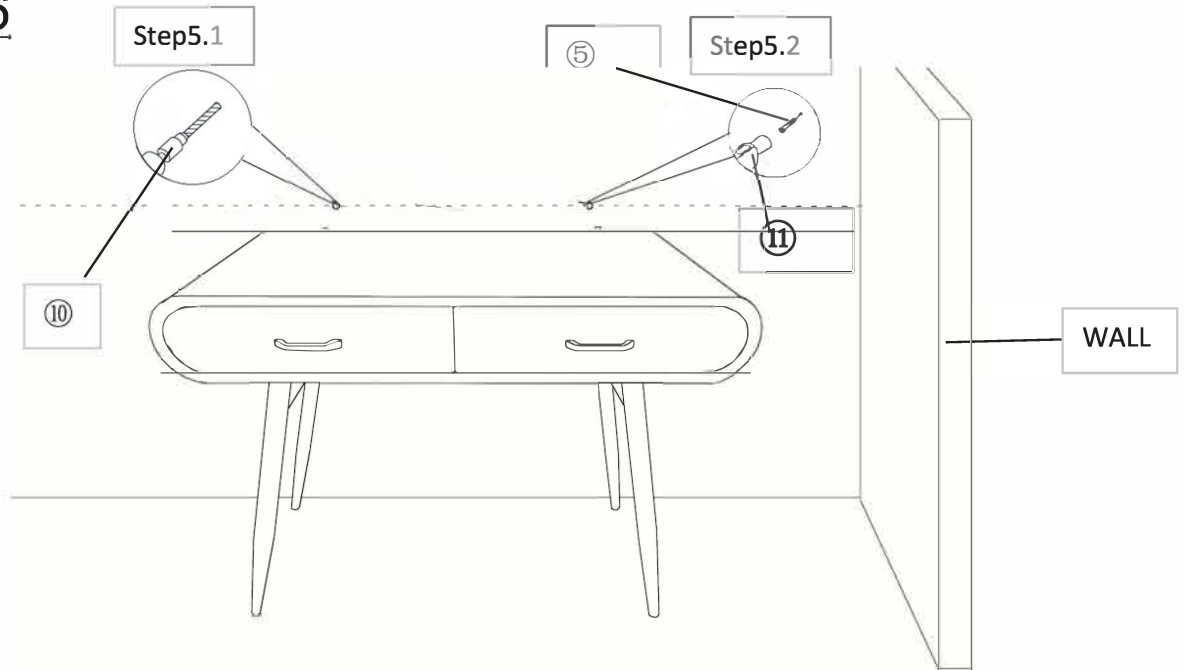
Step 5



5.1) Turn the Table on the back side faces you.

5.2) Attach Metal Bracket(④) to Back Table(A), where labeled, using Screw(⑦) with Screwdriver(⑨).

Step 6



6.1) Drill two mounting positions on wall at same height as Metal Bracket(④) on Table back with Power Drill(⑩).

You can mark these points in two ways as below:

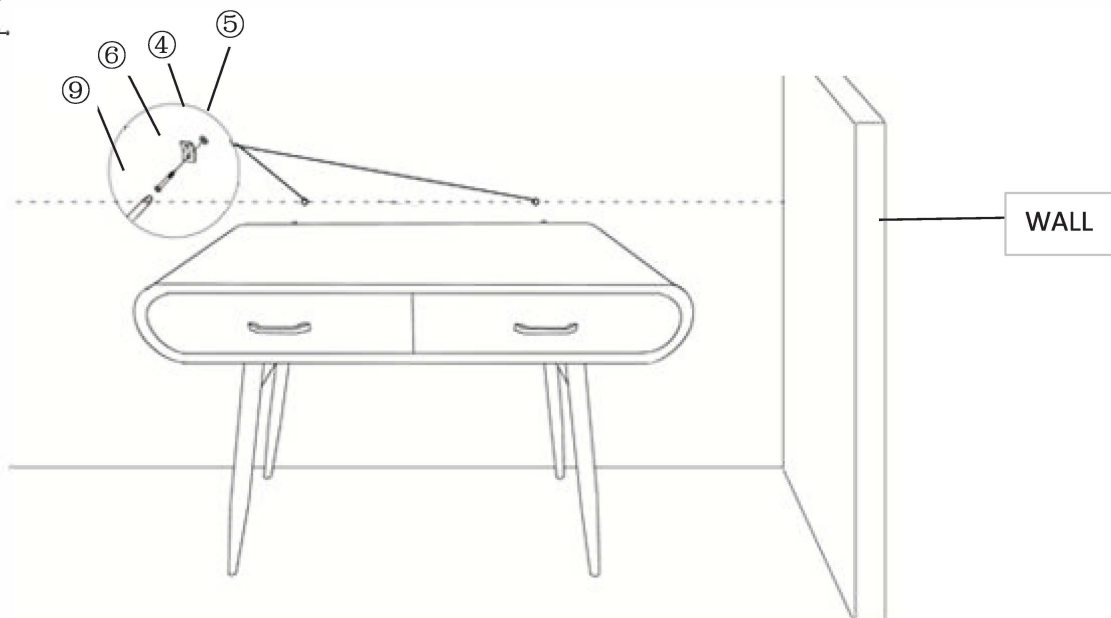
1) Move the Table back to the wall. Mark two points the same height as the Table on the wall.

Note: The Metal Bracket(④) need to be secured to a solid, load bearing surface. Please use a Stud Finder(not supplied) if needed to locate the Wall Frame.

2) Measure the height of the Metal Bracket(④) with ruler/measuring tape and mark on wall to keep them accurate and the same height.

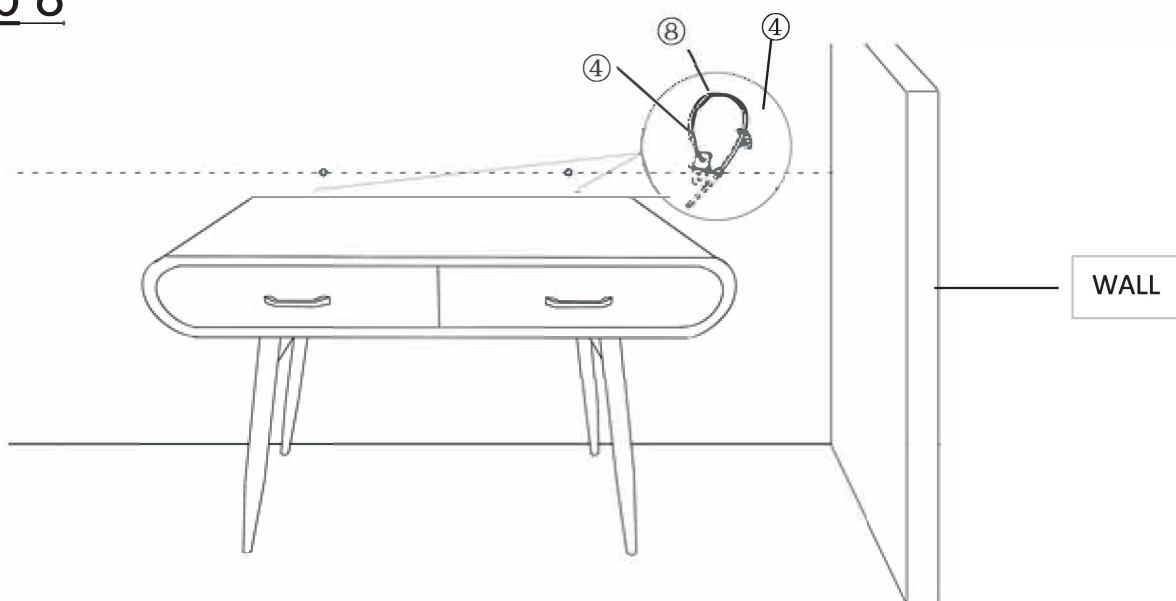
6.2) Insert Wall Plug(⑤) into mounting position on wall with Hammer(⑪).

Step 7



Attach Metal Bracket(④) to Wall Plug(⑤) using Wall Plug Screw(⑥) with Screwdriver(⑨).

Step 8



Move the Table back against wall.
Pull the Restraint Strap(⑧) through the Metal Bracket(④) on the wall and Table one by one, and pull the Restraint Strap(⑧) tight.

Step 9



Your Table is ready for use.

This Table can only be used on a flat, level surface.

Care & Maintenance



- Furniture may scratch floors. We recommend using furniture pads to protect your floors.



- Do not put hot items directly on furniture surface.



- Do not clean furniture with harsh cleansers or polish.



- Do not place furniture under direct sunlight.



- Do not place furniture near heating or cooling vents.



- Do not write on furniture without a padded barrier to protect the surface.



- Do not place furniture outside . For indoor use only.



- Not for commercial use. For residential use only.



- Stains may be removed with mild soap solution and damp cloth.



- Children should not climb or jump on the furniture.



- Dust and pick-up spills using a clean, non-colored, lint-free cloth.