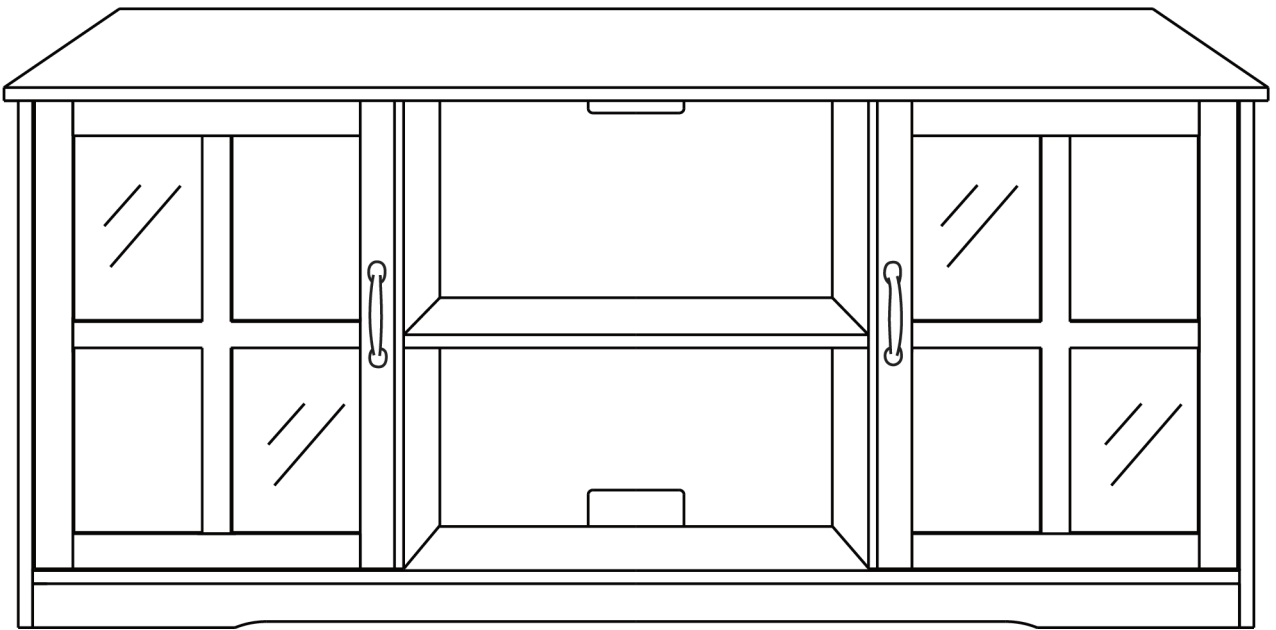


TV Stand



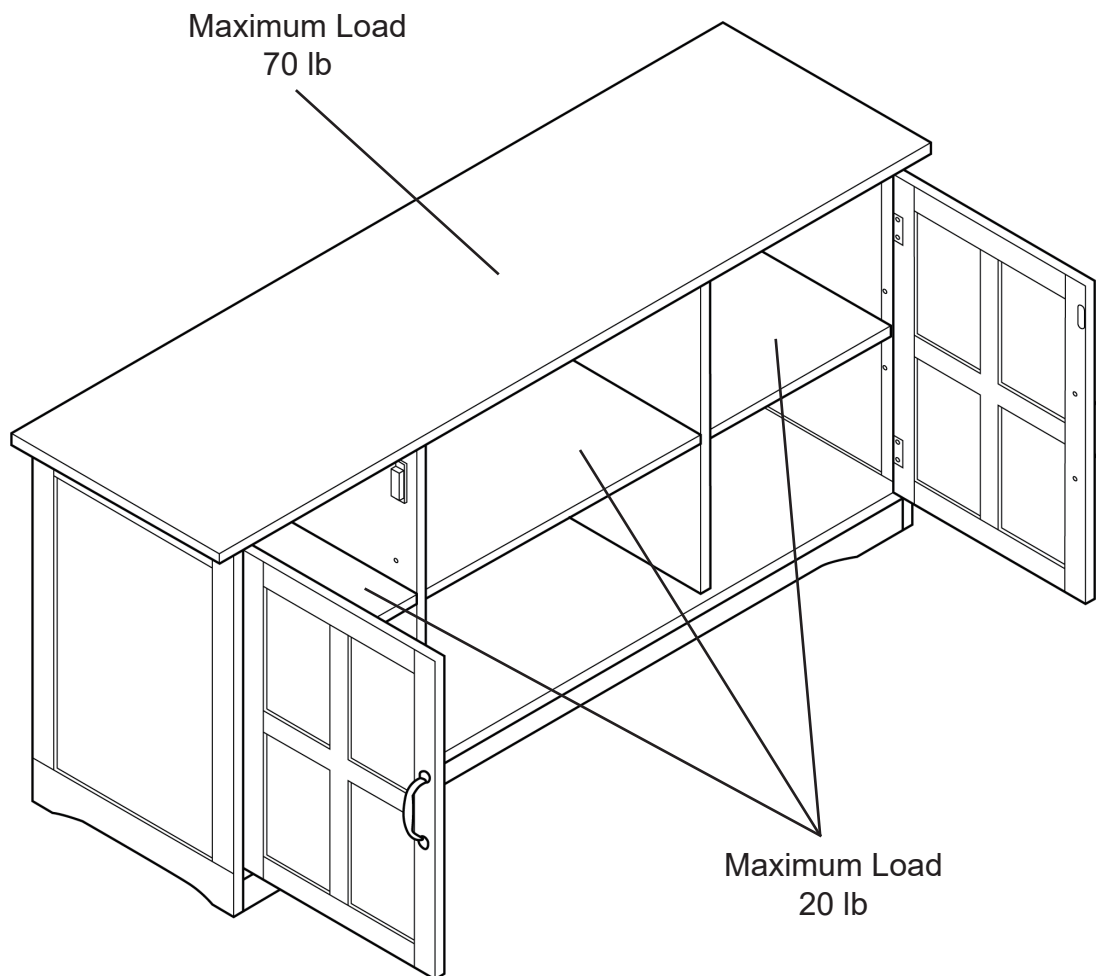


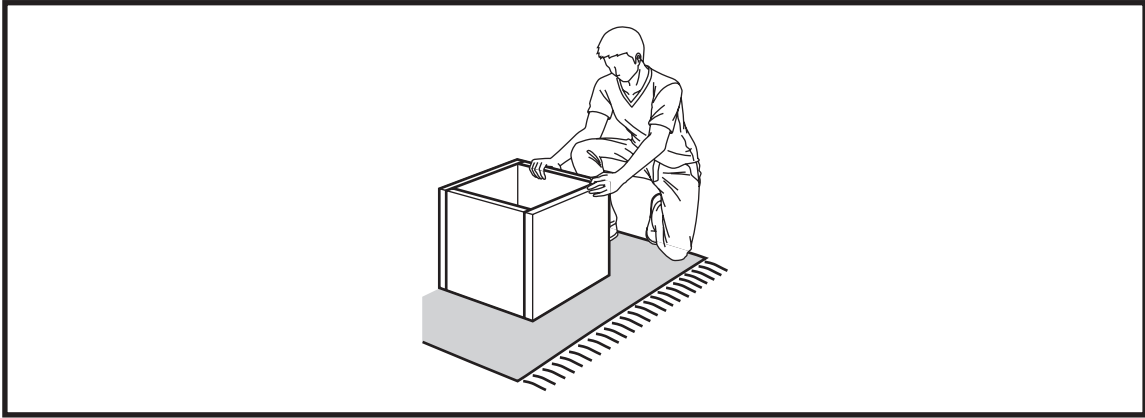
Estimated time for assembly:

120 mins



Weight limitations are as follows:

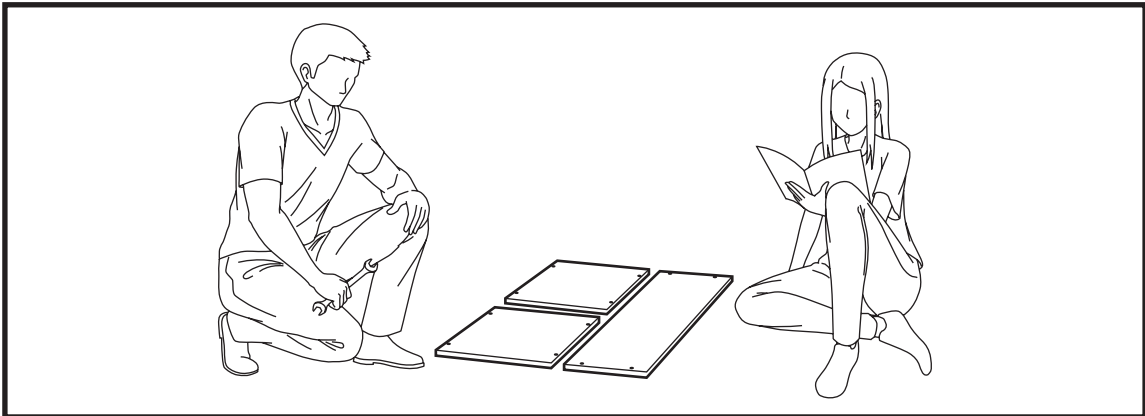




Assemble the furniture on an empty carton, carpet, or rug to prevent scratches or damage.

For safety, please keep pets and children away from the assembly area.

Ensure the product is fully assembled before use. If you are missing any hardware or products, do not use it until you have restored the missing parts.



This furniture requires 2 people for assembly.

Read this instruction manual prior to assembly to familiarize yourself with the various steps.

Lay out all components and hardware separately on a flat surface and make sure that no parts are missing or damaged before assembly. Do not destroy or discard any packaging until you are certain that you have all the necessary parts for assembly.

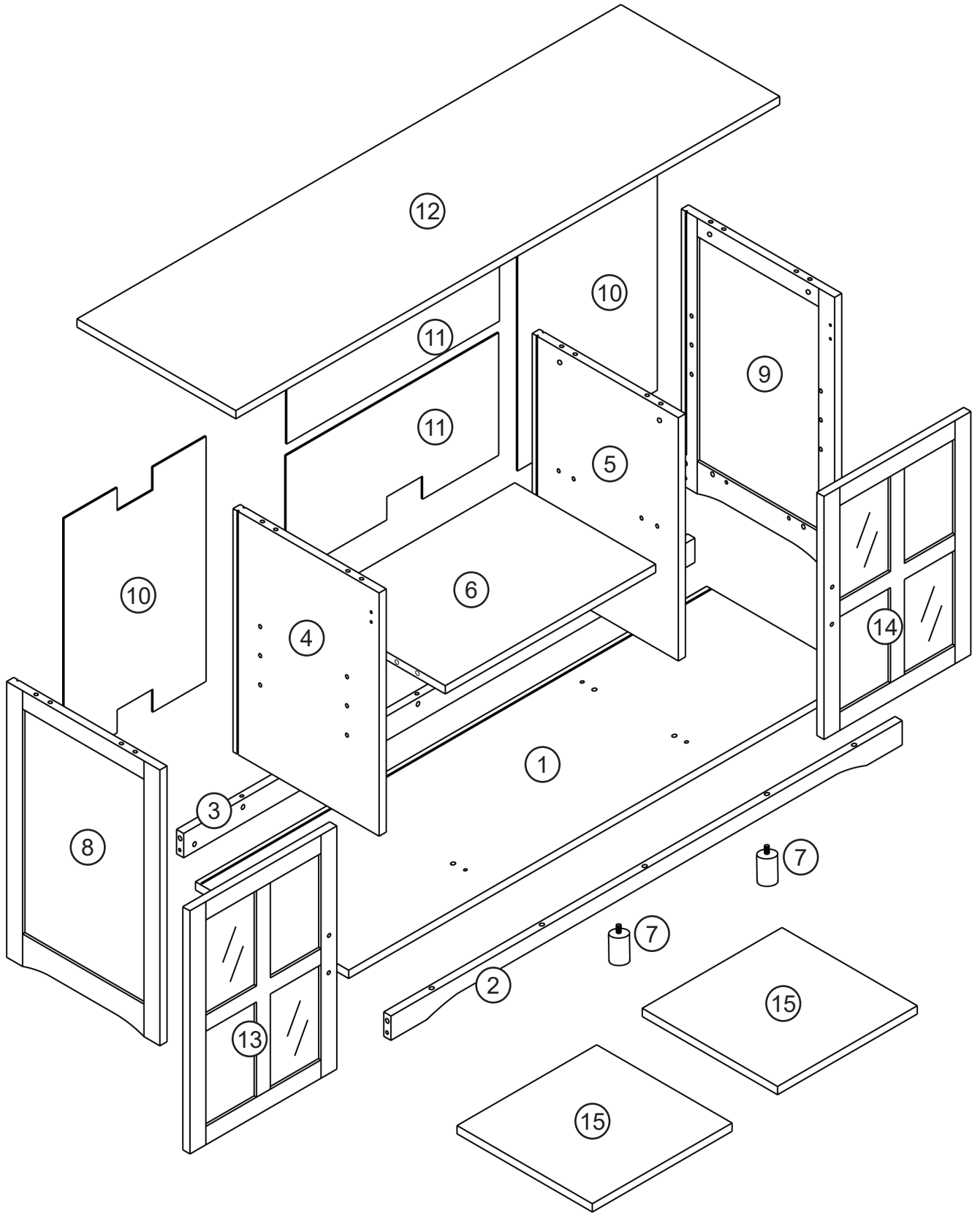
Hand tight all hardware and careful not to over tighten to avoid damaging the product.

CAUTION

There are small components used in the construction of this product. Loose items should be kept away from pets and children to avoid a choking hazard.

Keep all plastic bags and packaging film away from pets and children to avoid suffocation.

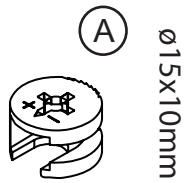
PACKAGE CONTENTS



PACKAGE CONTENTS

CODE	DESCRIPTION	QTY
1	Bottom Panel	1
2	Front Leg	1
3	Back Leg	1
4	Left Medial Panel	1
5	Right Medial Panel	1
6	Center Storage Shelf Panel	1
7	Support Leg	2
8	Left Panel	1
9	Right Panel	1
10	Side Back Panel	2
11	Center Back Panel	2
12	Top Panel	1
13	Left Cabinet Door	1
14	Right Cabinet Door	1
15	Side Storage Shelf Panel	2

PACKAGE CONTENTS



26x + 2x



26x + 2x



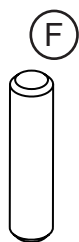
28x + 3x



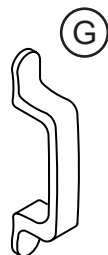
4x



4x



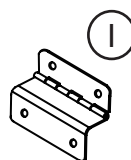
8x



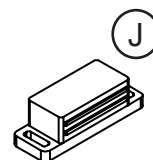
2x



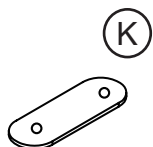
4x



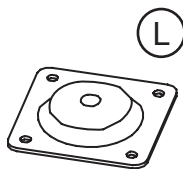
4x



2x



2x



2x



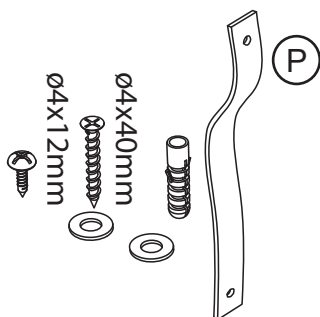
8x



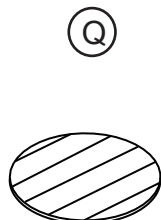
20x + 2x



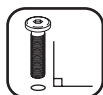
12x + 1x



2x

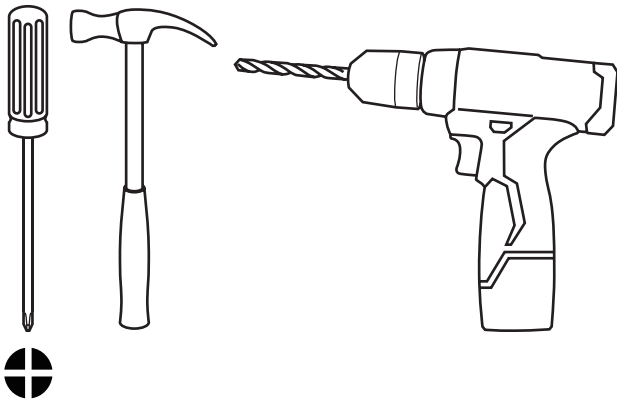


12x



Install all hardware perpendicular to the opening.

Required tools for assembly (Not included)

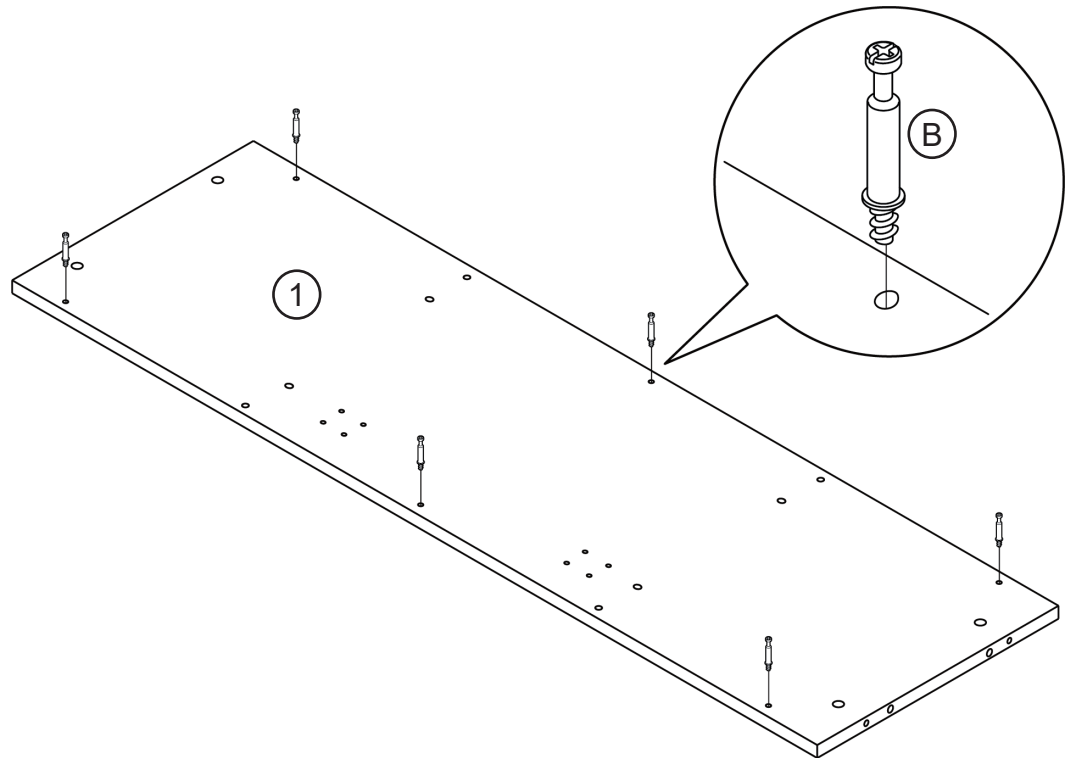


1



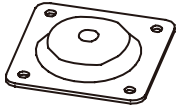
(B) 6x

Attach cam bolts to the underside of the bottom panel.



2

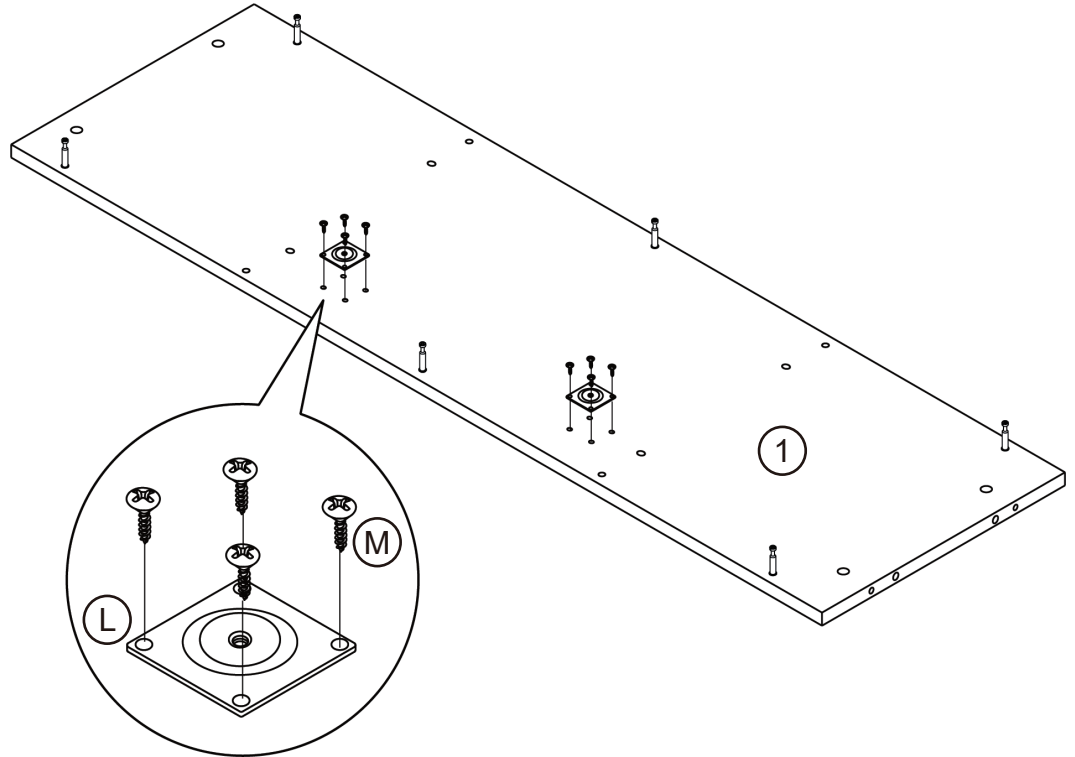
Attach the support leg bracket to the under side of the bottom panel.



(L) 2x

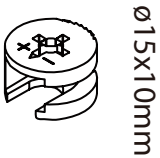


(M) 8x



3

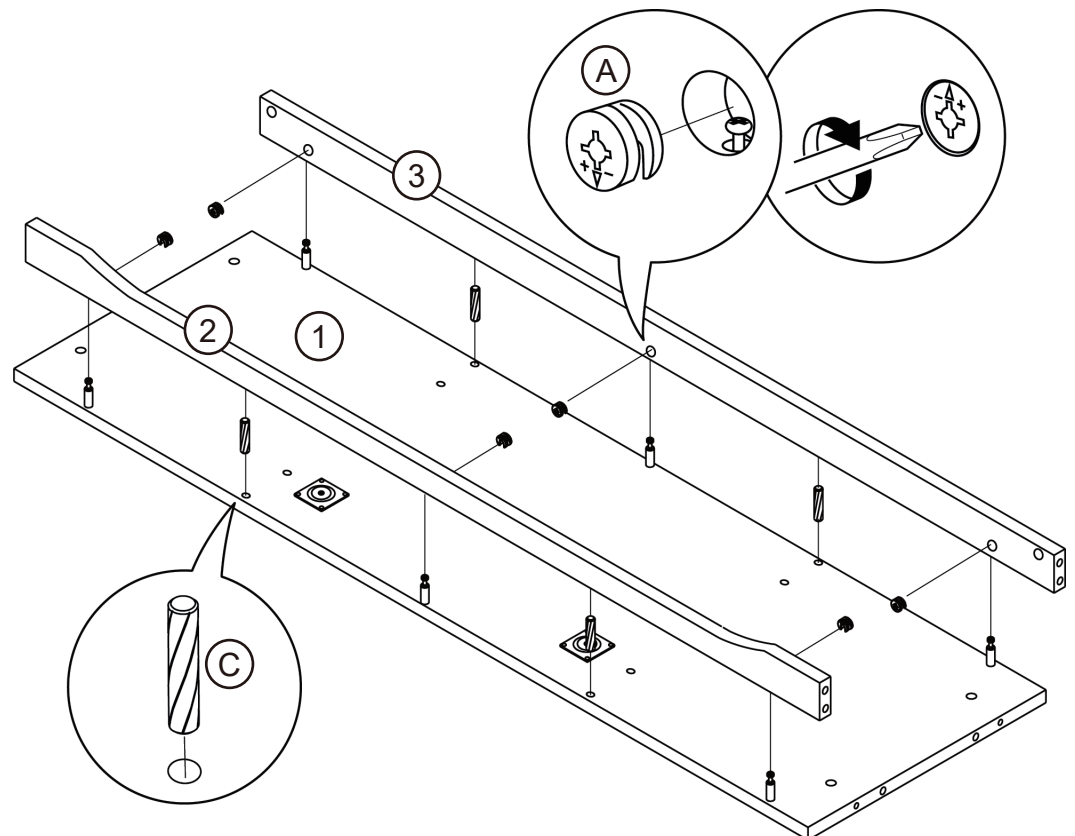
Attach the front and back legs to the bottom panel.



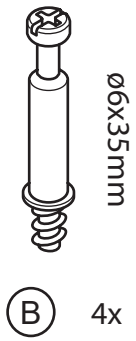
(A) 6x



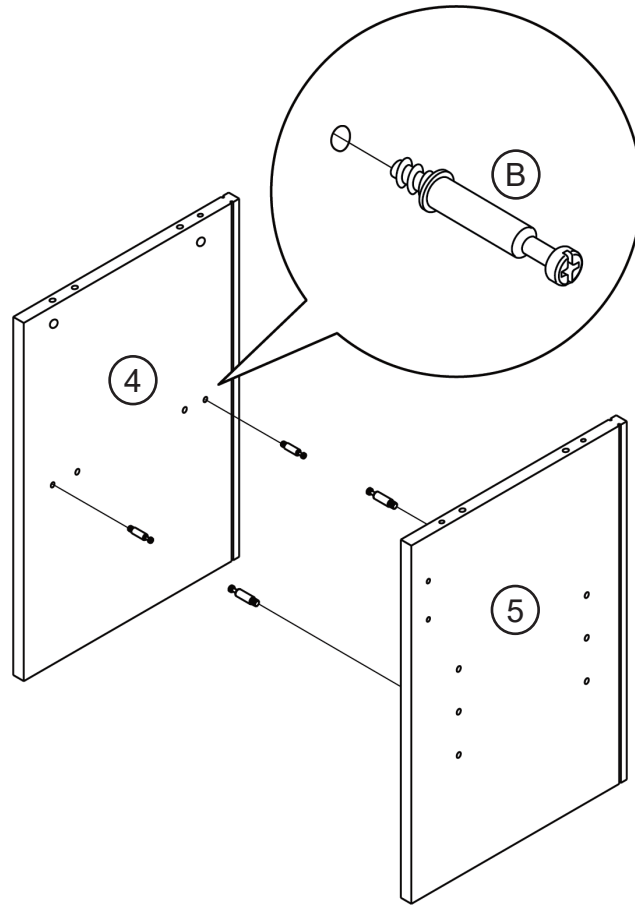
(C) 4x



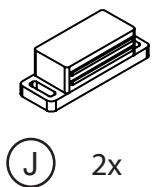
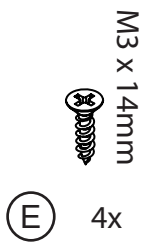
4



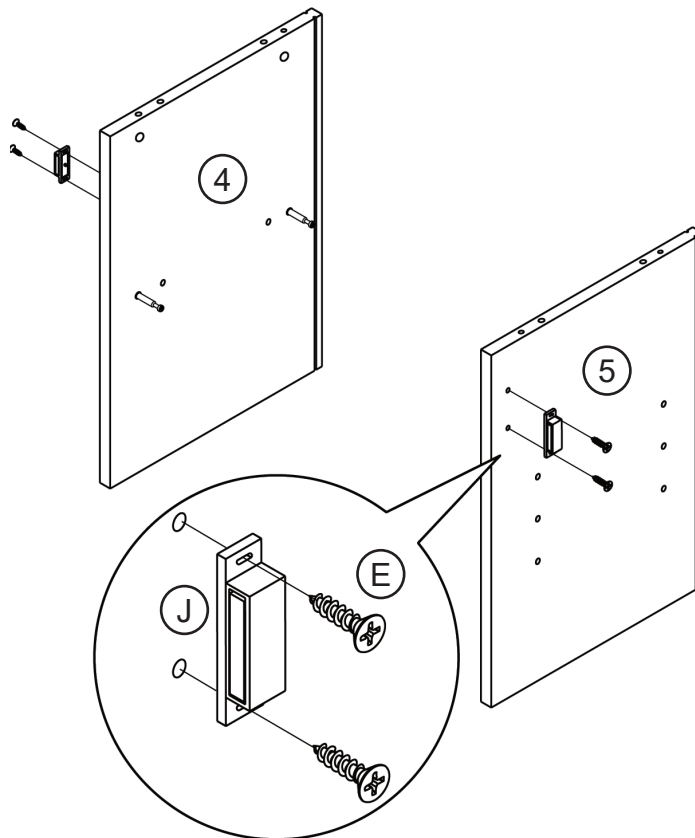
Attach cam bolts to the medial panels.



5



Attach magnetic catches to the medial panels.



6

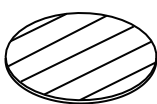
Assemble the center storage shelf panel between the medial panels.



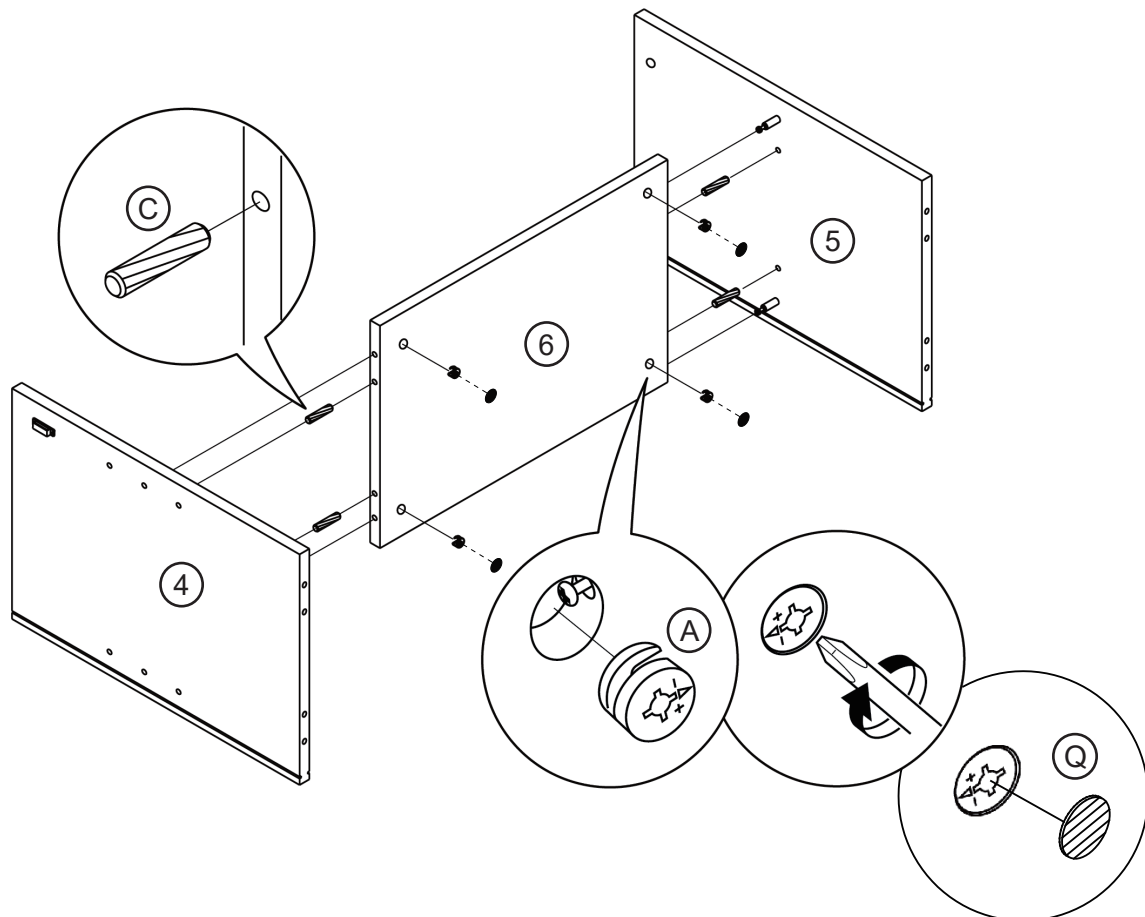
(A) 4x



(C) 4x



(Q) 4x

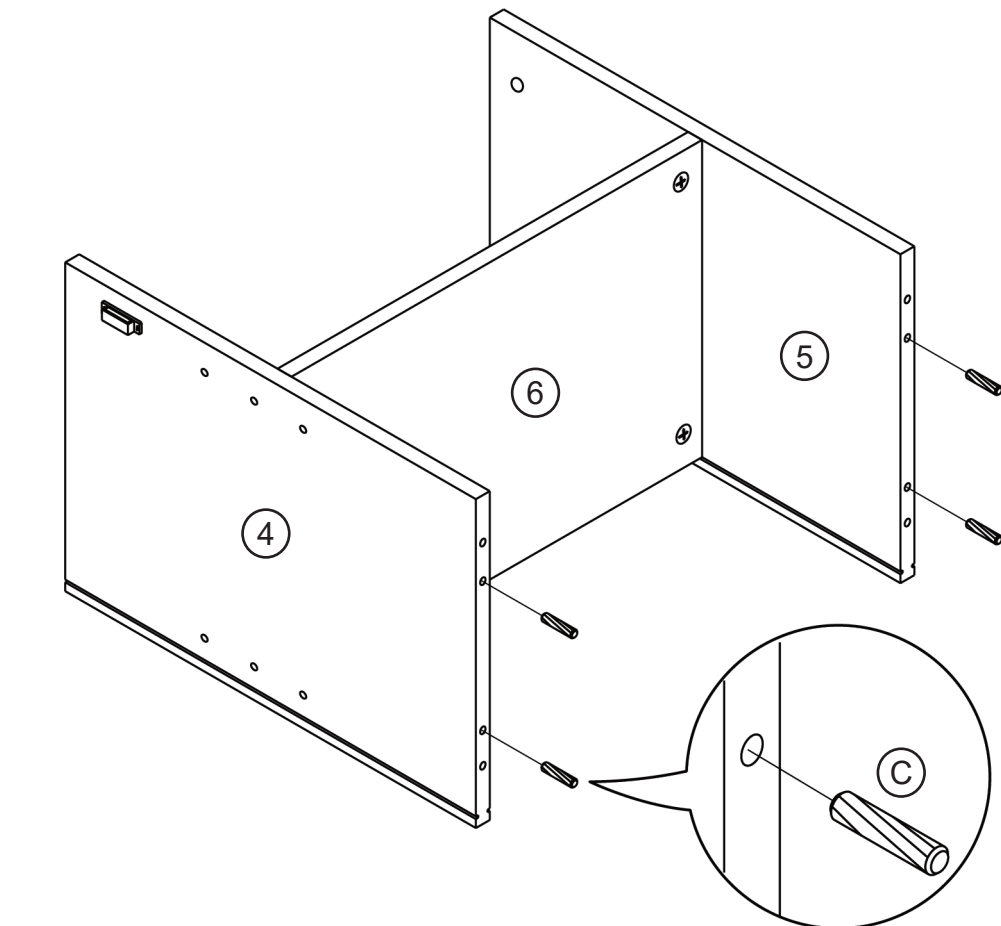


7

Insert wood dowels to the bottom side of the medial panels



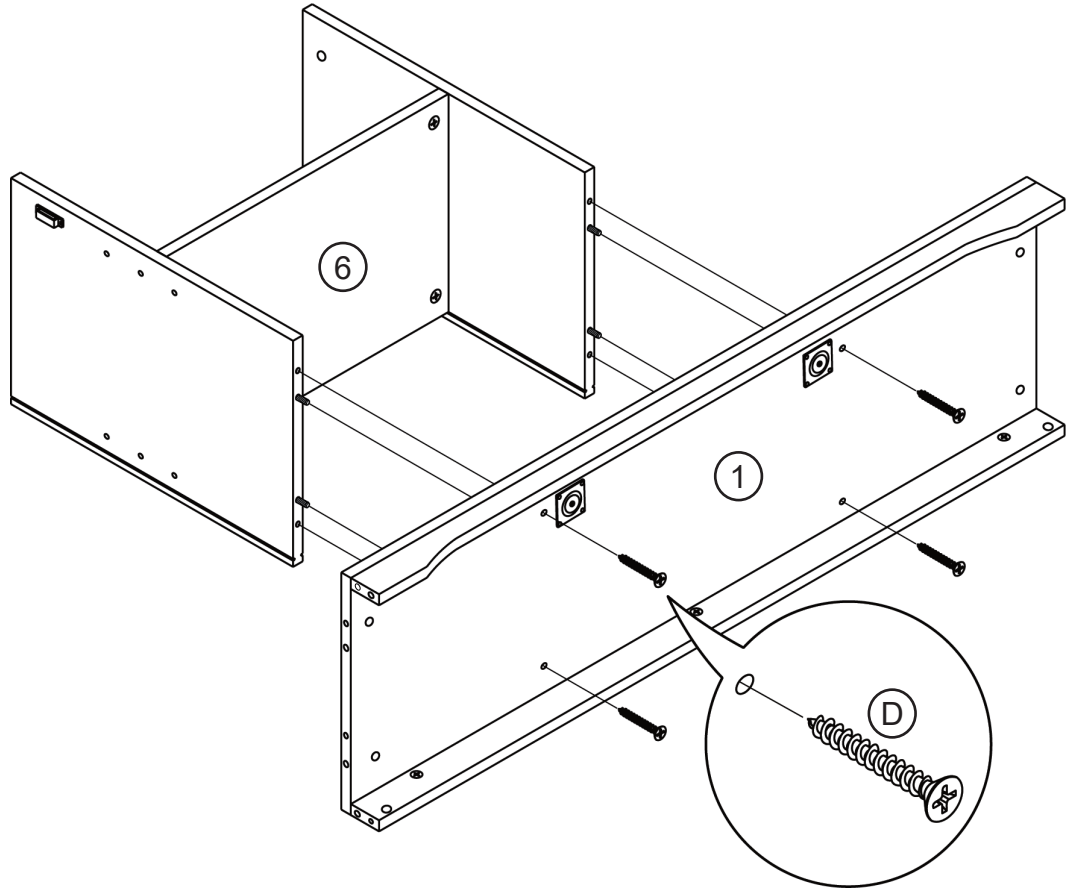
(C) 4x



8

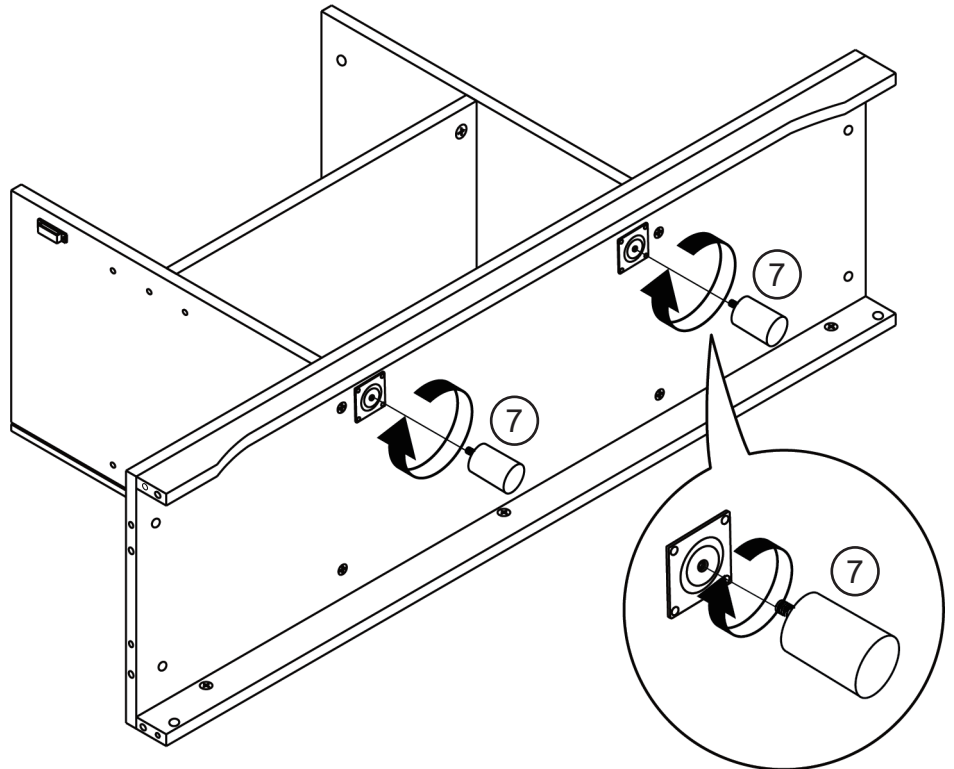
Assemble the center storage assembly to the bottom panel.

M4 x 40mm
D 4x



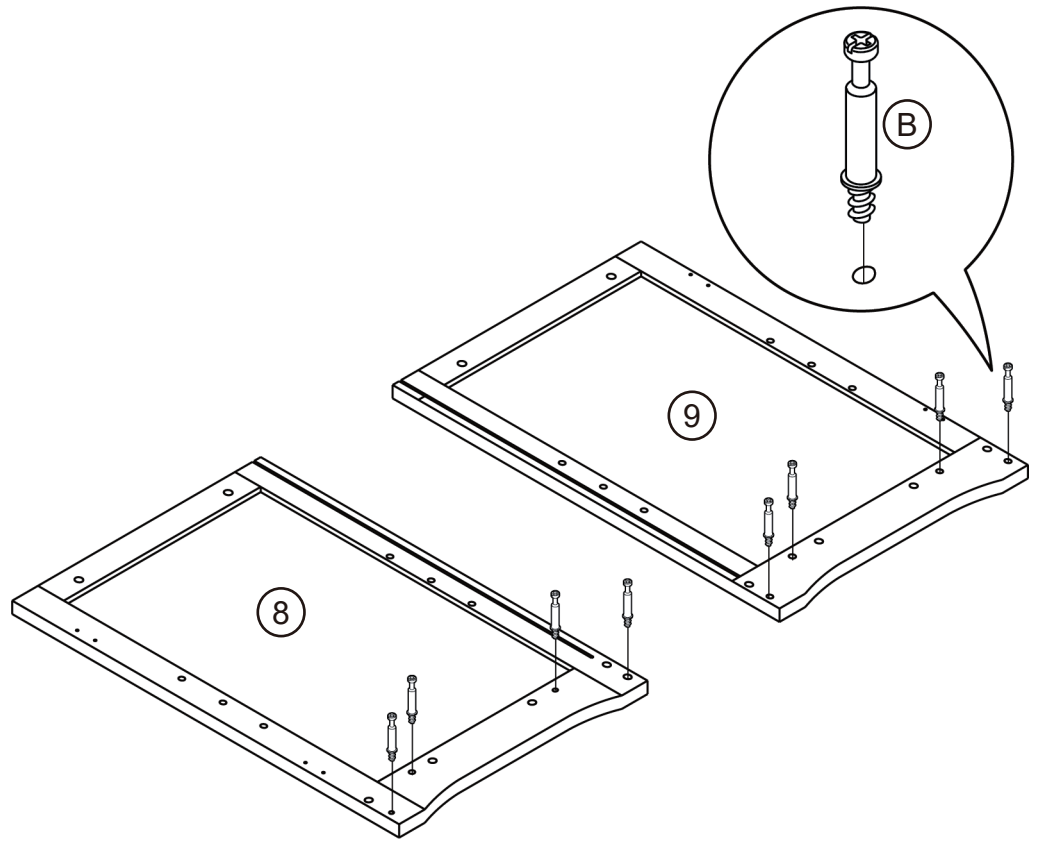
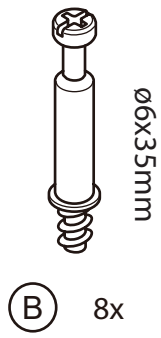
9

Assemble support legs to the bracket on the bottom panel.



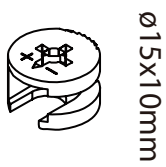
10

Attach cam bolts to the left and right panels.



11

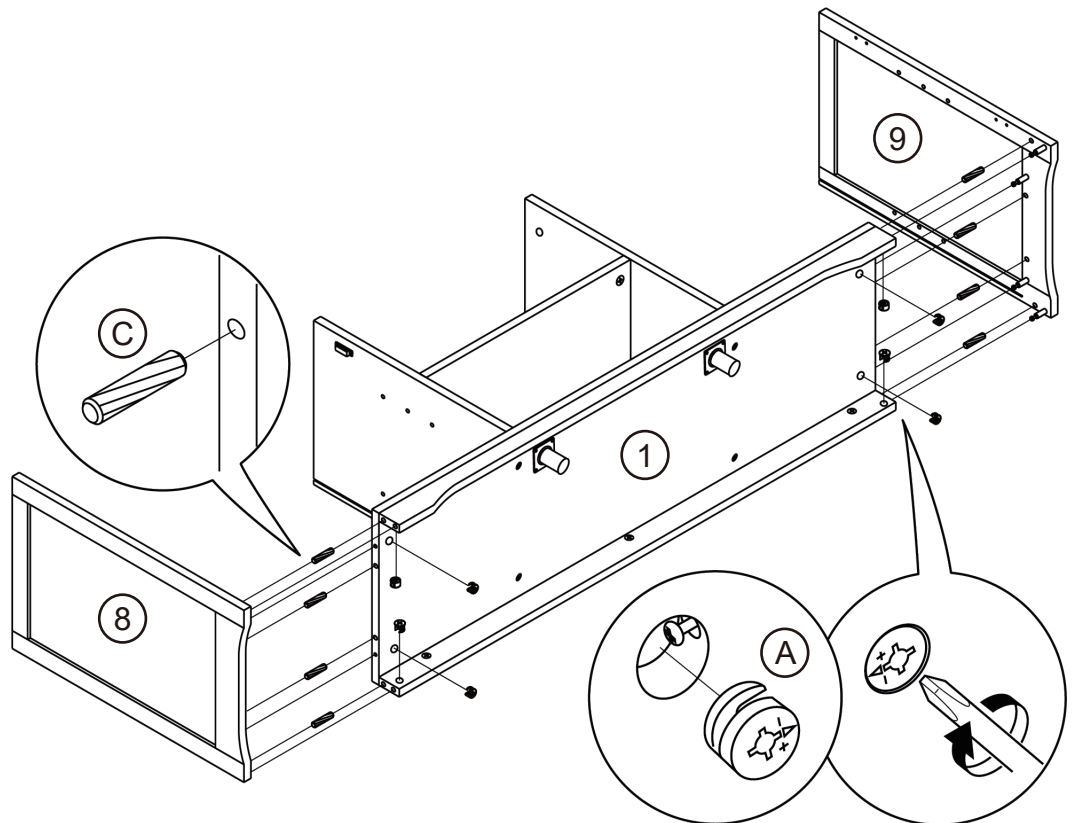
Assemble the left and right panels to the side of the bottom panel.



A 8x

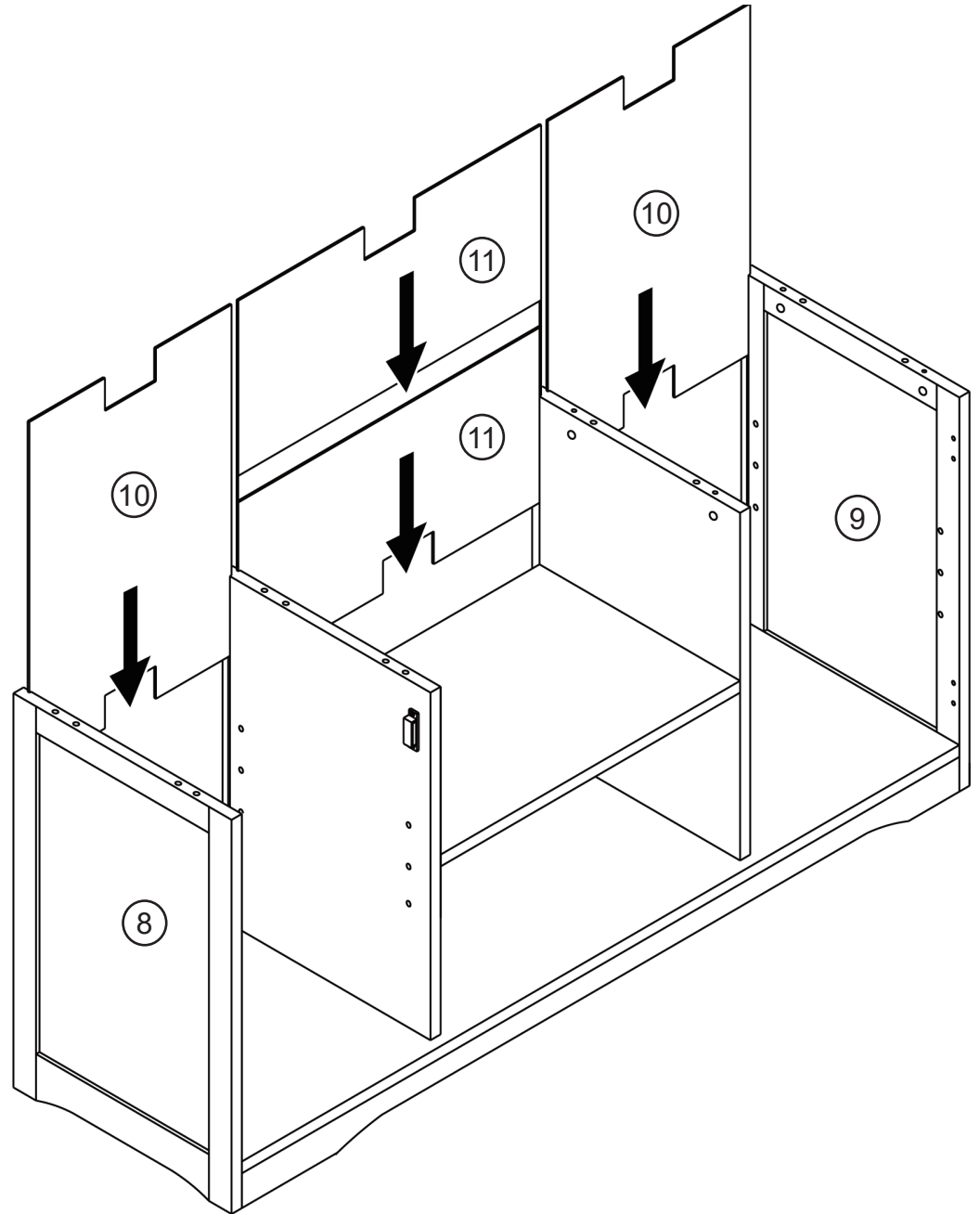


C 8x



12

Slide in the back panels.

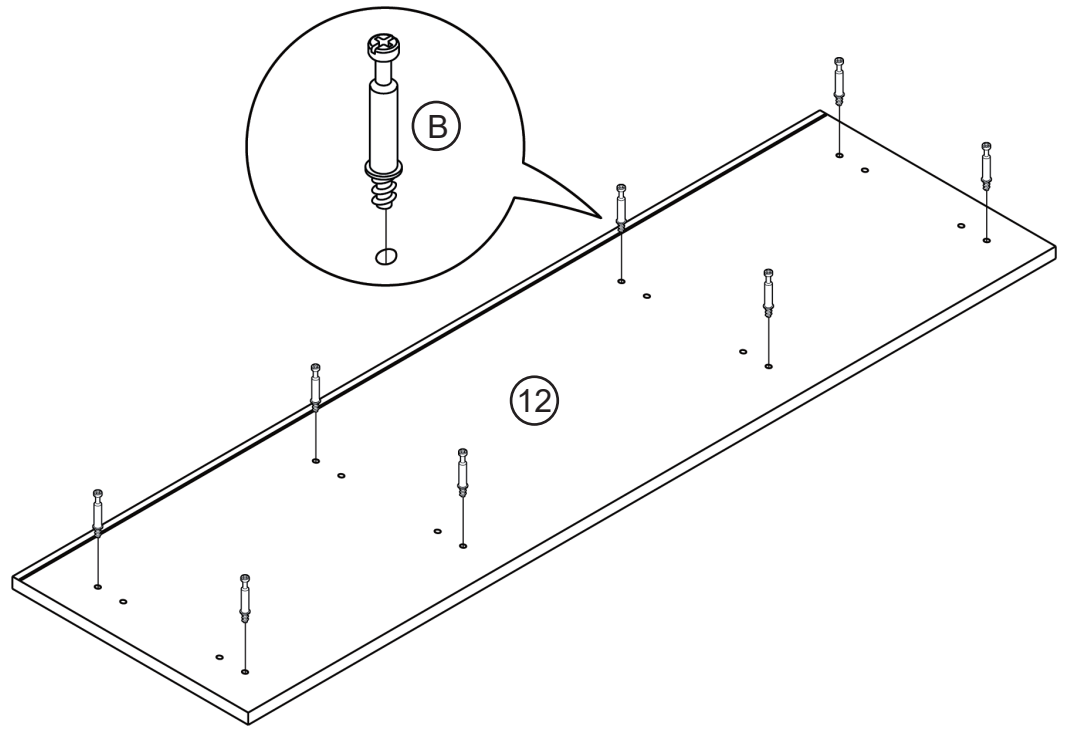


13

Attach cam bolts to the under side of the top panel.



(B) 8x

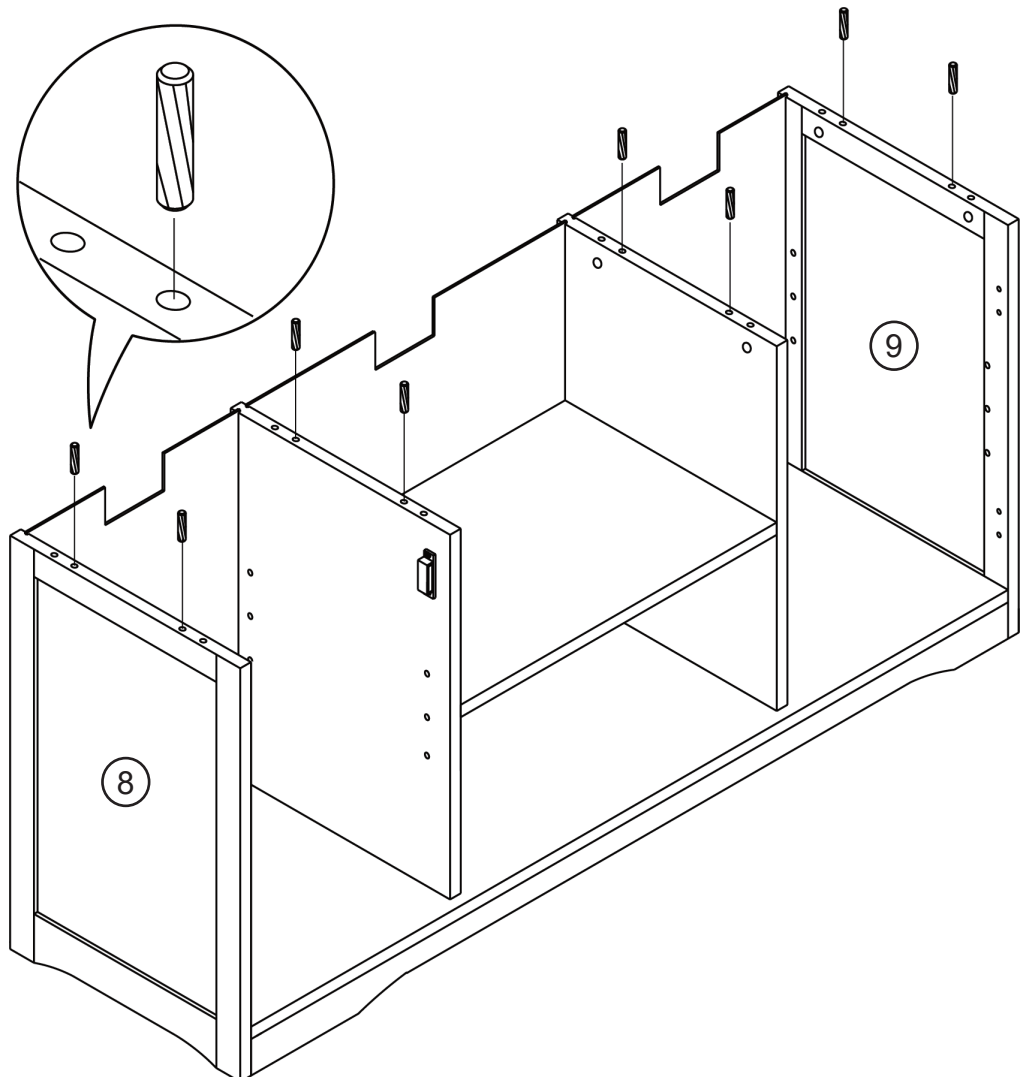


14

Insert wood dowels (C) on top of the side panels and medial panels.

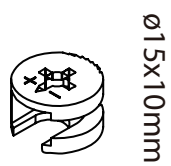


(C) 8x

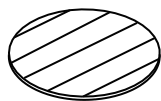


15

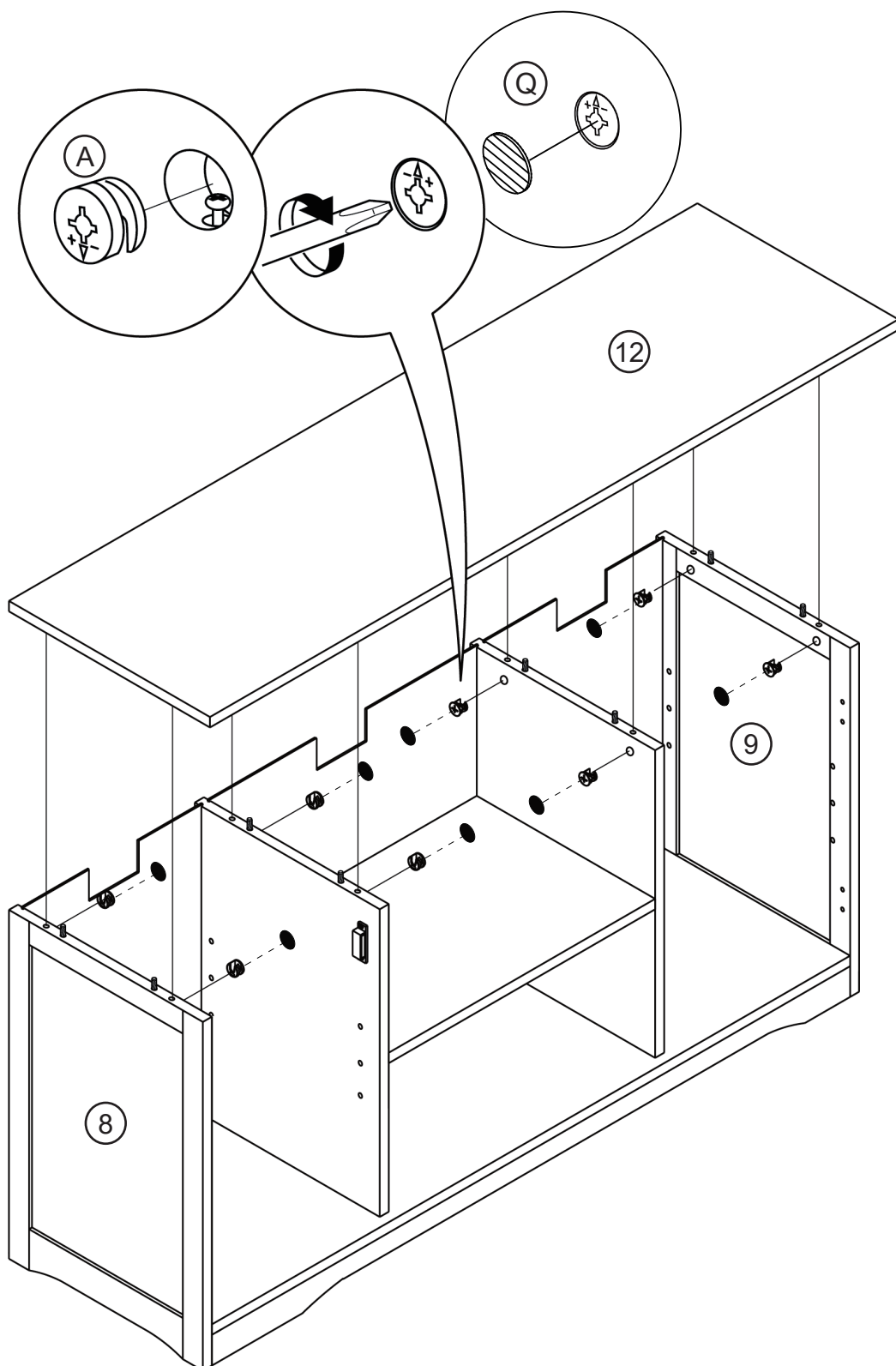
Assemble the top panel on top of the TV stand.
Cover the cam locks with decorative covers.



(A) 8x

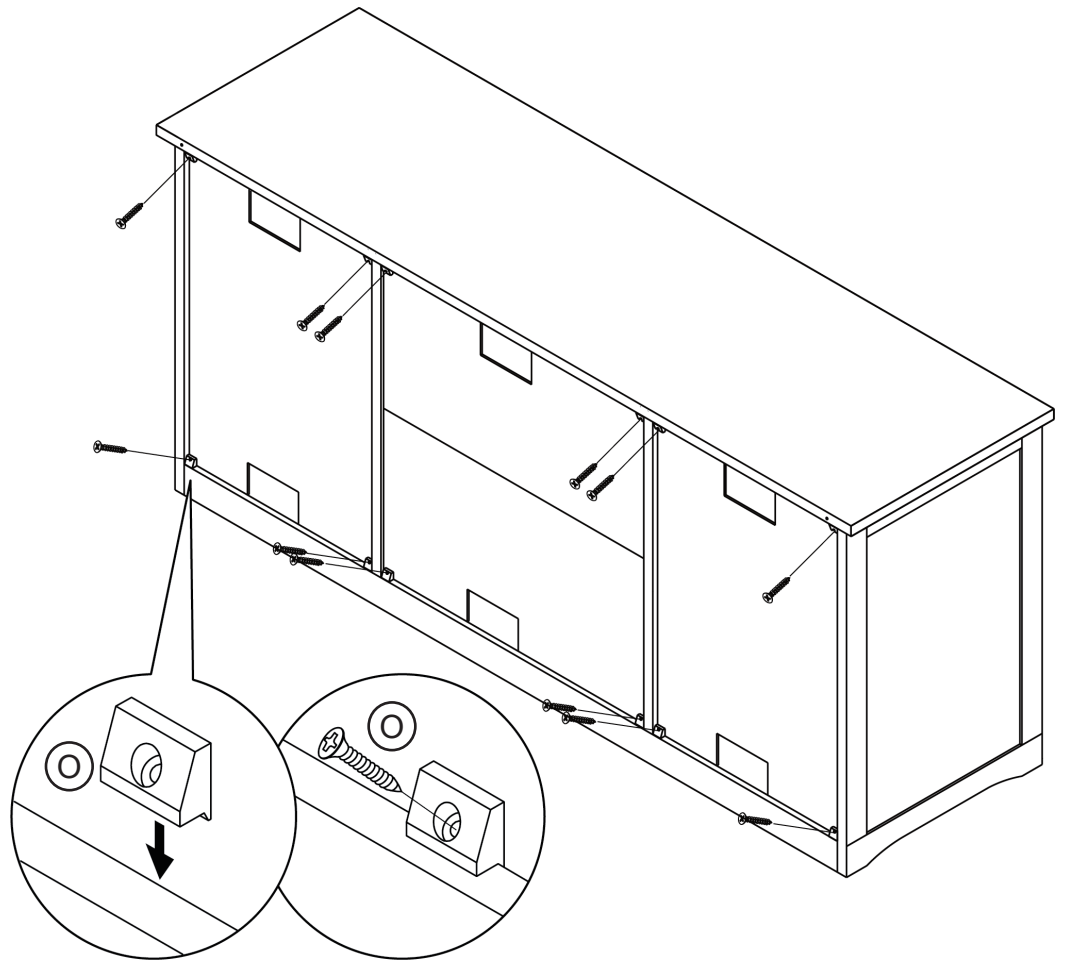
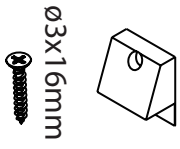


(Q) 8x



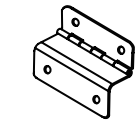
16

Secure the back panels to the TV stand.

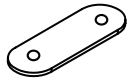


17

Attach door hinges and the metal plates to the cabinet doors.



I 4x

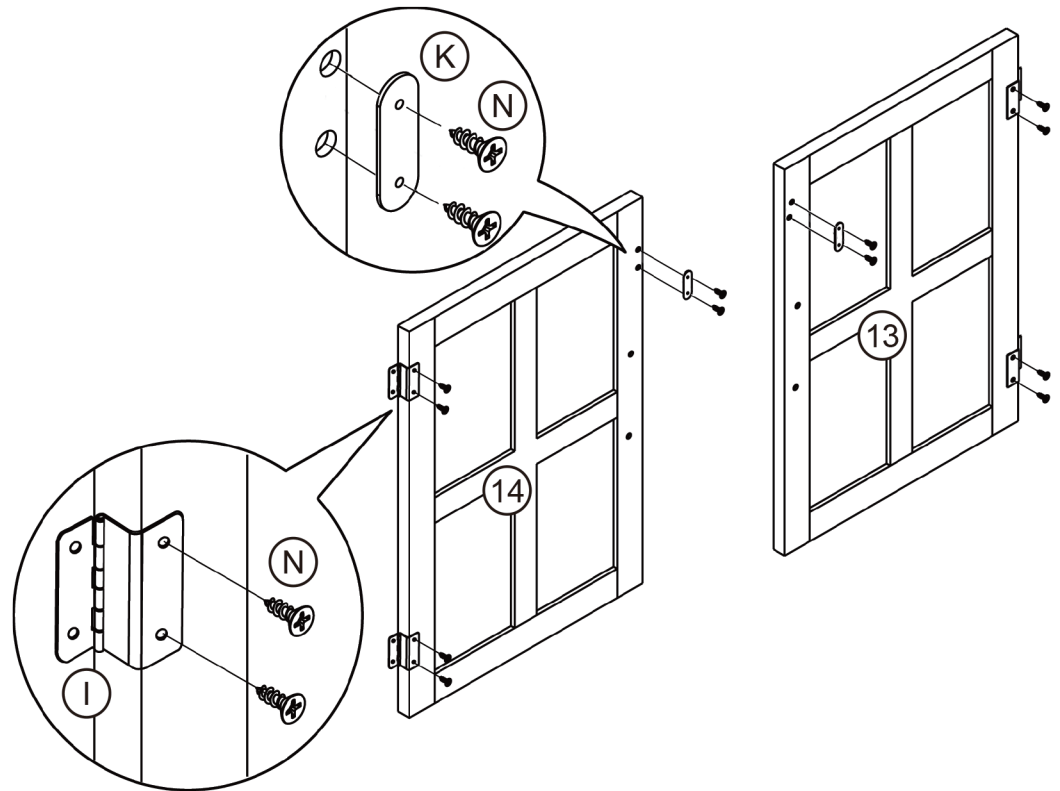


K 2x



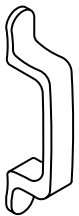
M3 x 12mm

N 12x



18

Attach door handles to the cabinet doors.

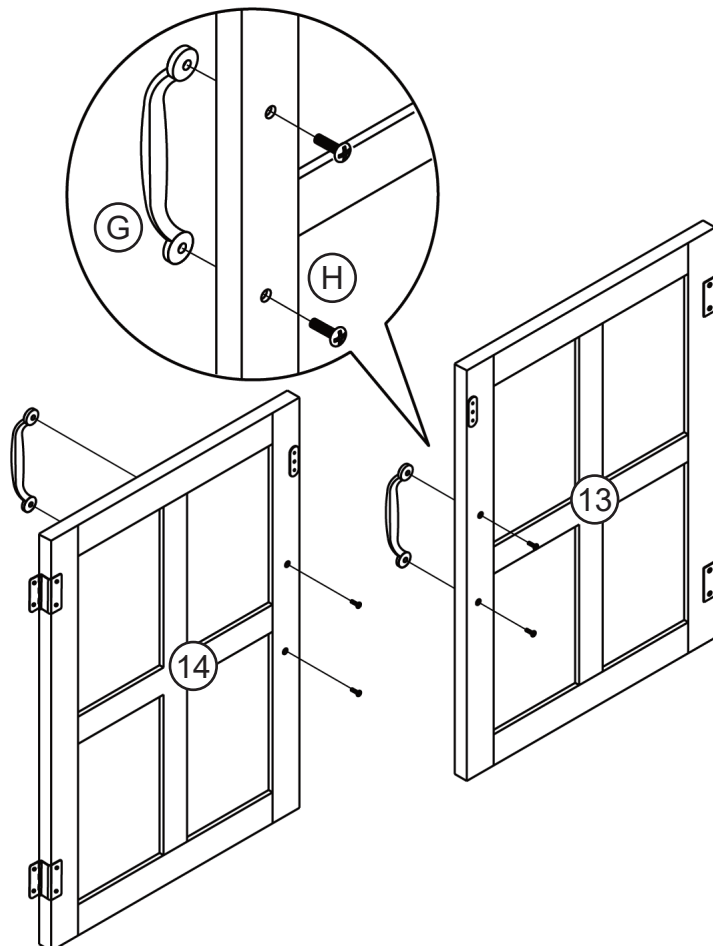


G 2x



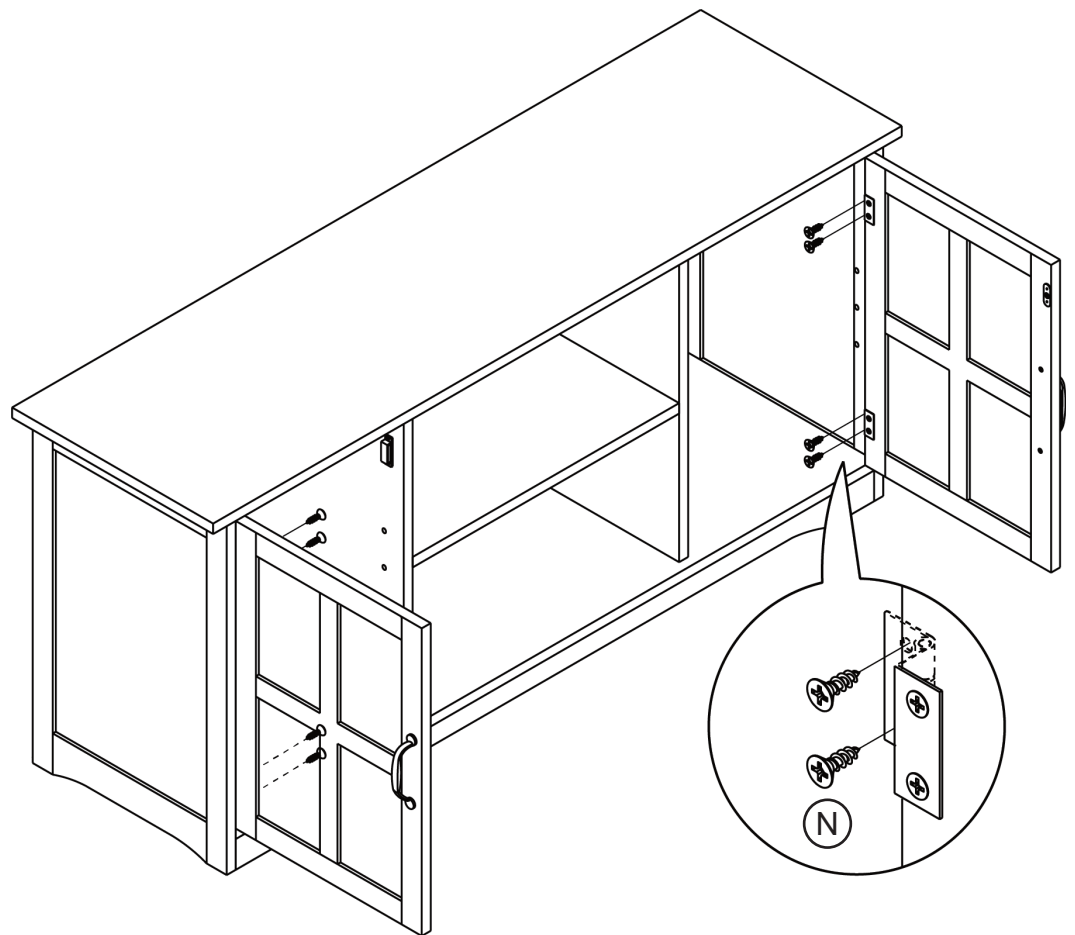
M4 x 22mm

H 4x



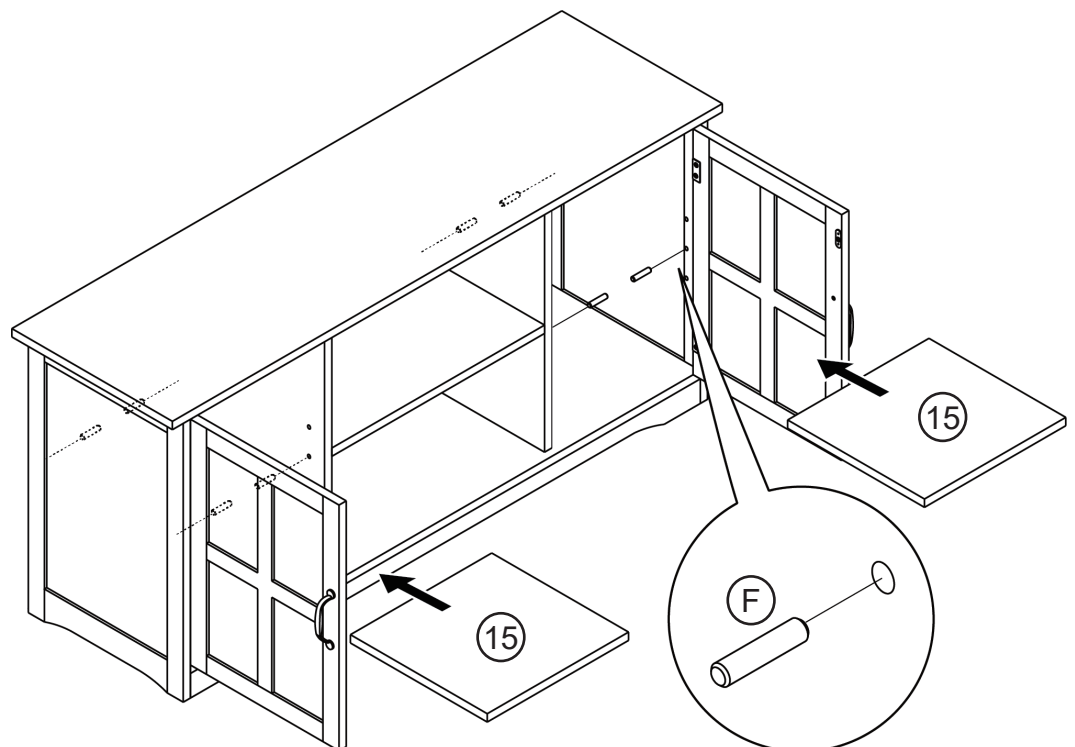
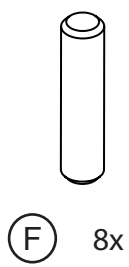
19

Attach cabinet doors to the TV stand.



20

Insert shelf pegs inside the TV stand and put side storage shelf panels on the pegs



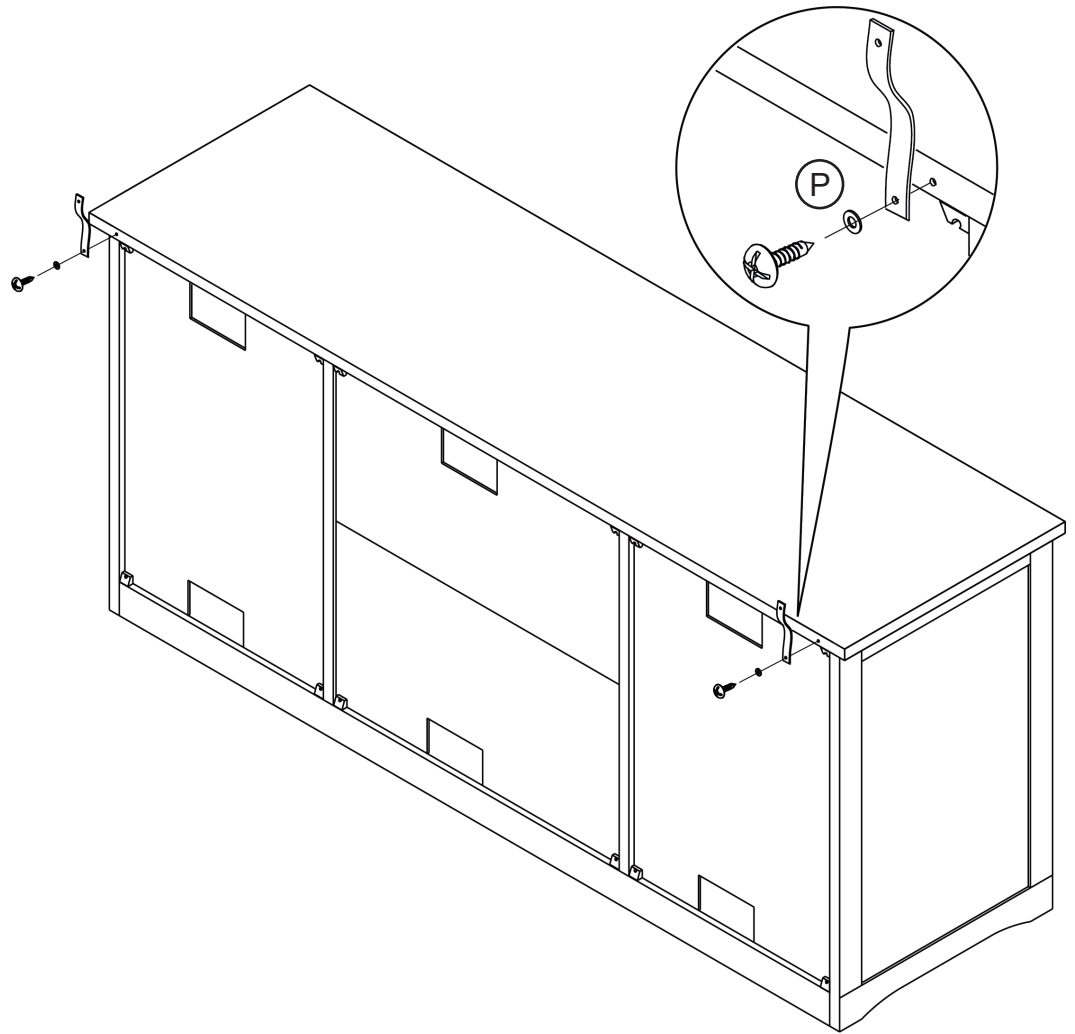
21

Attach anti tipping straps to the back of the TV stand.



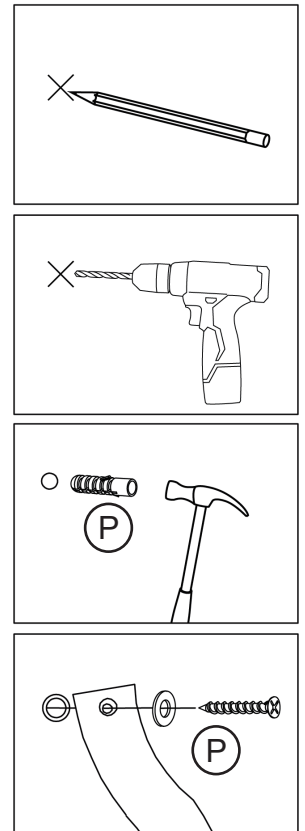
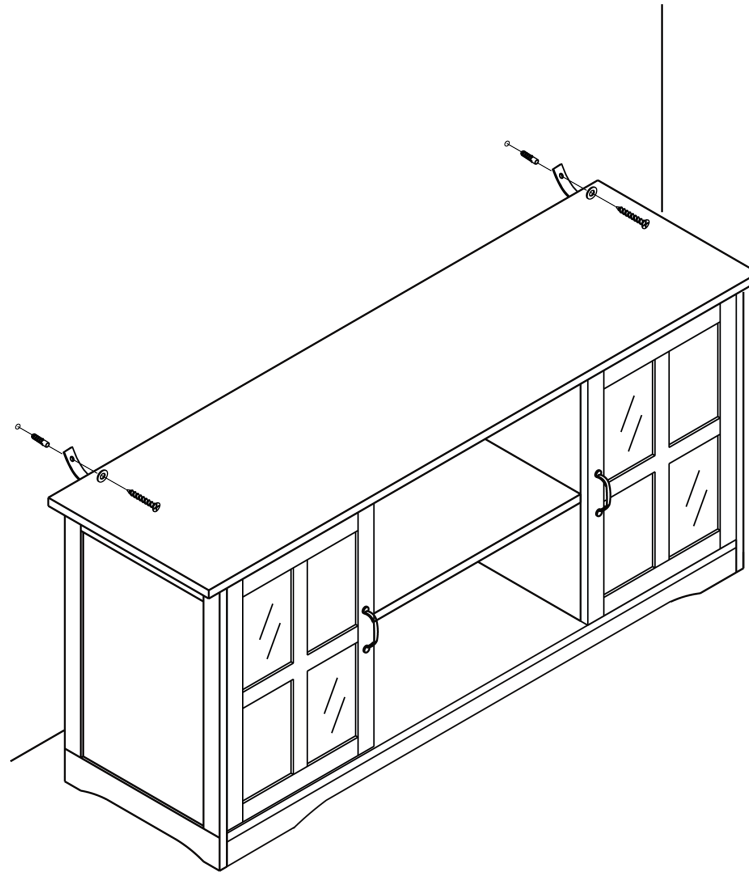
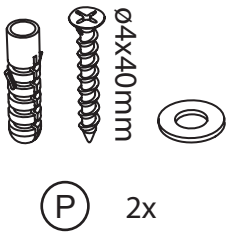
(P) 2x

Ø4x12mm



22

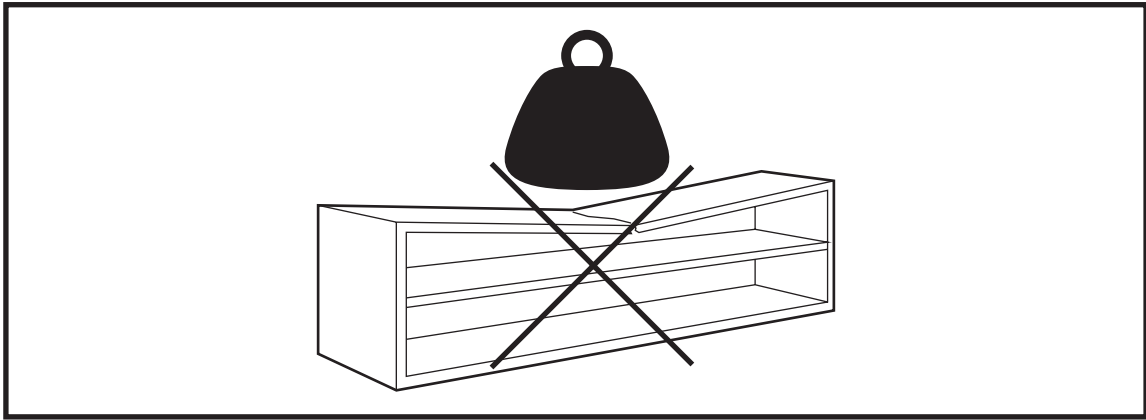
Affix the TV stand to the wall.



Furniture must permanently fixed to the wall stud with included anti-tipping device to prevent the furniture from tipping over.

- Mark the drill position on the wall with a pencil.
- Drill a small hole on the marked position.
- Insert a wall anchor into the drilled hole.
- Fixed the anti-tipping strap to the wall with provided screws.

YOU'RE FINISHED!

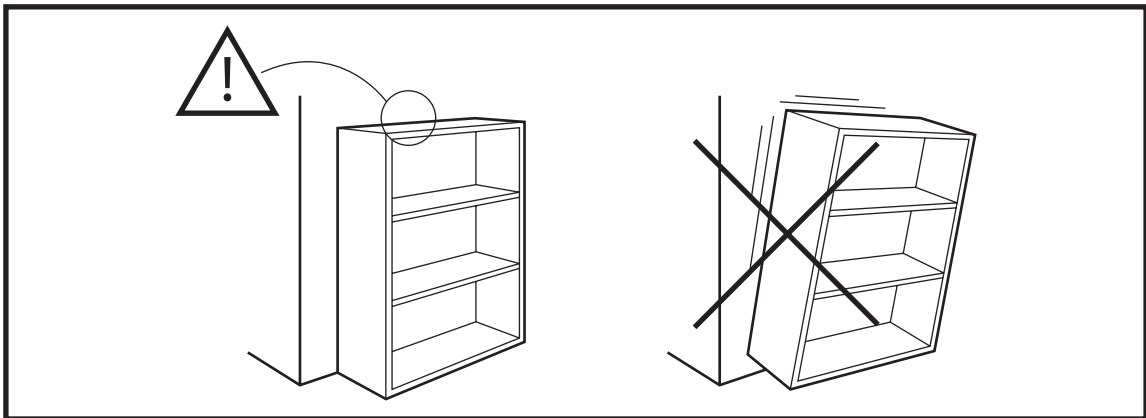


Warning

Only place items on top of the product if they meet the recommended size and weight limits.

Climbing on, stepping on, or placing overweighted objects on the product may cause property damage and/or injuries.

Items placed onto this product must be resting on a support surface without hanging over the edges.



Warning

Serious or fatal crushing injuries may occur if the furniture tip-over. Furniture must permanently affixed to the wall with included anti-tipping device in order to prevent the furniture from tipping over.

Different wall materials requires different types of wall anchors or screws. Use a suitable wall anchors or screws for your specific wall in order to secure the stability and load bearing capacity of the furniture. If you are uncertain about which type of device to use, please contact us or your local hardware store.

WARNING

For use with televisions weighing 70lbs (31.8kg) or less. Use with heavier televisions may result in instability, causing tip over resulting in death or serious injury.

Death or serious injury may occur when children climb on audio and/or video equipment furniture. A remote control or toys placed on the furnishing may encourage a child to climb on the furnishing and as a result the furnishing may tip over on to the child.

Relocating audio and/or video equipment to furniture not specifically designed to support audio and/or video equipment may result in death or serious injury due to the furnishing collapsing or over turning onto a child.

NOTICE

The recommended maximum width of the TV is 60 inches. Do not exceed the maximum load capacity.

This product is designed for flat panel TVs only.

FURNITURE CARE AND MAINTENANCE

Medium - Density Fiberboard

Thank you for your purchase. We want your item to last as long as possible. To ensure the product gives you years of longevity, please follow the recommendations in this care and maintenance guide.



MAINTENANCE

- Tighten all bolts and screws again within the first 2 weeks of assembly.
- Check the tightness of all bolts every 2 months and tighten them if necessary.



CLEANING

- Clean the surface of the MDF (medium - density fiberboard) with a lightly dampened cloth.
- A small amount of mild soap can be used if necessary.
- Dry the surface immediately after cleaning.

- ⚠ DO NOT use bleach or alcohol to clean the surface.
- ⚠ DO NOT apply wood treatment on parts made with MDF.

MDF will swell and distort when exposed to water damage. Make sure to dry the furniture immediately after cleaning.

⚠ WARNING

The manufacturer and seller are not responsible for any and all liability relating to personal injury, property damage or losses, whether direct, indirect, or incidental, resulting from the incorrect attachment, improper use, inadequate maintenance, unapproved modification or neglect of this product.

WARRANTY

products come with a 1-year warranty from the date of delivery.

Register your product on our website to enjoy our limited lifetime warranty!