

Fireclay Installation Instructions



Table of Contents

Care & Protection	1
General Advice	1
Tools Required	2
Farmhouse / Apron-front	3
1. Build a Support Frame	3
2. Measure the Sink	3
3. Prepare the Countertop	3
4. Prepare the Sink	4
5. Install the Sink	4
Undermount	5
1. Build a Support Frame	5
2. Prepare the Template	5
3. Prepare the Countertop	6
4. Install the Sink	6

Care & Protection

To ensure that your kitchen sink retains its easy-care properties as long as possible and you are able to benefit in full from all the advantages. We would like to provide you with the following care tips:

Recommended Daily Care

For everyday cleaning of your kitchen sink, we recommend the use of a soft, non-scratching sponge or cloth. A standard liquid soap or vinegar-based cleaner is ideal, especially in areas with particularly hard water.

Tough Stains and Rust

For stubborn stains, cover with a piece of paper towel soaked in vinegar and leave to stand overnight. Specialist hardware shops also stock reliable limescale removers or vinegar based cleaner.

Some stains can not be removed by the methods described above. In these cases we would recommend using a non-abrasive liquid or cream bathroom cleaner.

What to Avoid

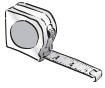
The following cleaning agents may scratch the ceramic surface and impair the unique properties.

- Scouring liquid or scouring powder
- Highly concentrated drain cleaners
- Cleaners for tap fittings and steel

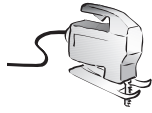
General Advice

1. Unpack the sink and inspect for any shipping damage before starting the installation. If damage is evident, do not install the sink. Contact the company where the sink was purchased.
2. Accepts no liability for damage to the countertop, or sink fixture during installation.
3. Installation of this product requires custom cabinetry. We recommends that an experienced cabinet maker build the new cabinet, or is responsible for modifications to existing cabinets for this product.
4. Due to the nature of the manufacturing process, each sink produced will vary dimensionally. **For this reason, no cut out templates are supplied.** To ensure a proper fit between the sink and the cabinet, and any supporting framing, we recommends providing the cabinet maker with the **actual sink to be installed.**
5. We recommend that in order to avoid personal injury, and to also avoid potential damage to the sink, that a wood frame be designed and constructed to support a load of at least 300 pounds (this load estimate represents the weight of an average sink filled to capacity, and includes provision for any extra loading by a waste disposer).
6. Please use assistance when lifting the sink in order to avoid personal injury.

Tools Required



Tape measure



Keyhole or saber saw



Hammer



Pipe wrench



Clear silicone



Masking tape



Compass with pencil



Center punch



Flashlight



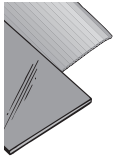
Router and sink trim bit



Pencil / Crayon



Construction Materials
(2 x 4 and 1/2" Plywood)



Cardboard or masonite sheet for template



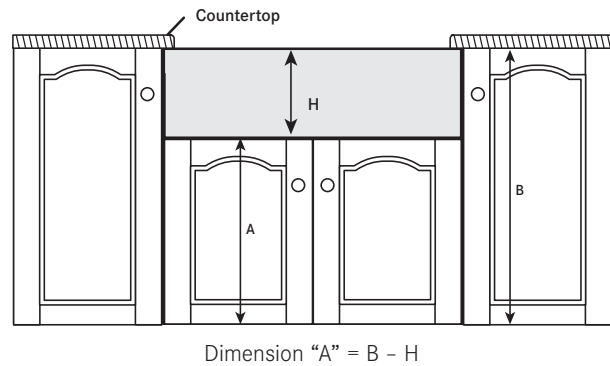
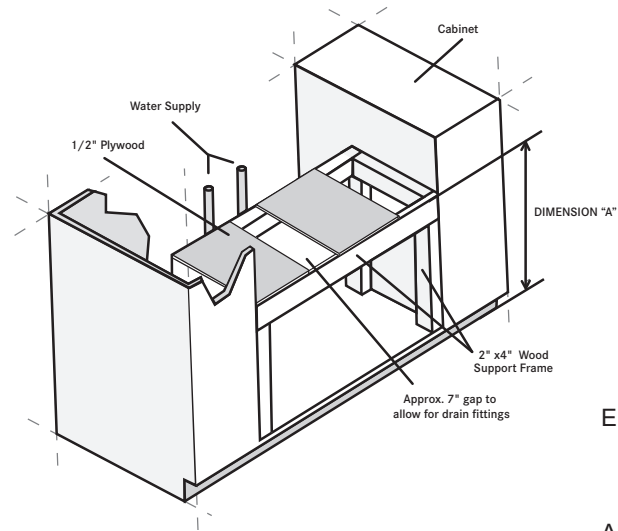
Drill with a #8 masonry drill. (if required for faucet holes)



Drill with 1 3/8" diamond hole saw (if required for faucet holes)

Farmhouse Undermount Sinks

1. Build a wood support frame in the sink base cabinet unit at a dimension "A" above the floor.



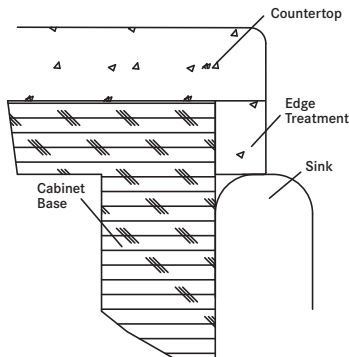
Empire Installation recommendation:

- Install the sink under the counter
- Cabinet minimum size should be 3" wider than the sink

Alternative Installations:

- If 'H' is bigger than space in the cabinet, you can reframe the cabinet and the doors below the sink, or install the sink flush with or above the counter surface
- if 'W' is same width as the cabinet, you can cut-down the top part of the cabinet side-panels. This is not recommended if you have an appliance or a drawer on either side of the sink

Note: Please consider and make allowance for the thickness of any edge treatment that surrounds the sink opening when determining Dimension "A".

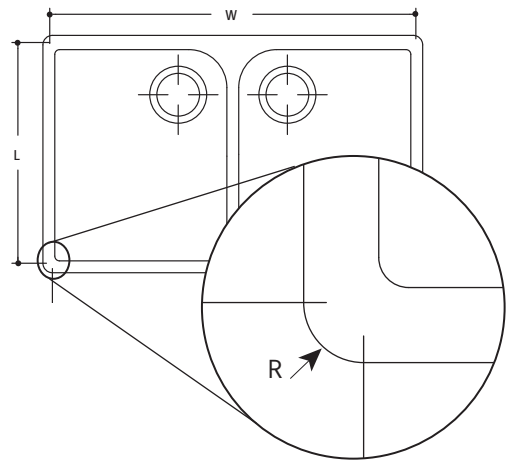


2. Measure the Sink

The cut-out opening for the sink will be determined by establishing dimensions L and W. These dimensions are measured from the center of the sink rim (which should also be the high point of the sink rim).

Dimension W is measured from the center of the sink rim on either side of the basin.

Dimension L is measured from the center of the back rim to the start of the radius on the apron of the sink (the intent is to position the sink so that the start of the apron radius aligns with the front face of adjacent cabinetry).



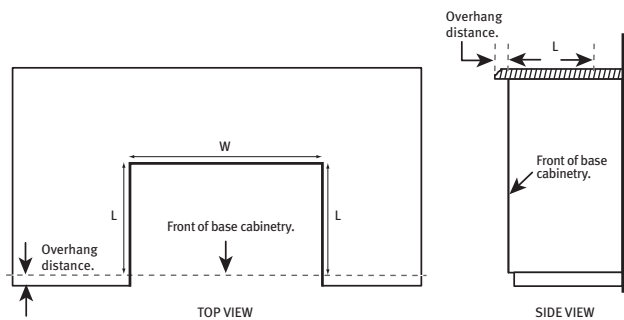
3. Prepare the Countertop

Transfer Dimension W to the countertop such that the sink is positioned laterally within the sink base cabinet unit.

Transfer Dimension L to the countertop. Then add the countertop front overhang to this dimension.

Scribe a desired radius in the two back corners of the cut-out.

Cut-out the sink opening.



Farmhouse Undermount Sinks

4. Prepare the Sink

4a. Drill Holes for Faucet and Fittings (if necessary)

Please exercise caution with respect to the prescribed next steps. Failure to follow these instructions may damage the sink.

1. These instructions only apply to farmhouse undermount sinks where the faucet ledge is exposed, and the faucet may be mounted directly to the sink... otherwise the faucet and fittings will be installed directly onto the countertop behind the sink fixture.
2. The sink should be resting on the floor or a work bench at this point. The sink should be supported from the underside of the sink bowl or basin. The sink should not be installed into the countertop when following next steps.
3. Apply masking tape to the top surface of the sink ledge.
4. The underside of the fireclay sink ledge has been prepared with an undercut for faucet and fitting holes. Determine the position of the holes required for the faucet and fittings that you have selected.
5. Transfer the center position of each hole that has been selected. Measure the location of each hole relative to the back edge of the sink rim, and the lateral edge of the sink rim. Mark the center of the hole onto the masking tape.
6. Measure twice to confirm position.
7. Position a center punch on the mark that has been transferred, and strike with a hammer (this operation is intended to penetrate the surface glaze so that drilling of a locating hole is easier).
8. Drill a pilot (locating) hole from the top surface using a No. 8 masonry drill.
9. Enlarge the hole to the required size by striking the pilot hole location with a center punch and hammer. (Alternatively, the hole may be prepared by drilling with a 1 3/8" diameter diamond hole saw).

4b. Install Sink Strainers

We recommend installing the sink strainers at this point in the installation process. The installation process is much simpler with the sink accessible from all sides.

4c. Install Faucet and Fittings

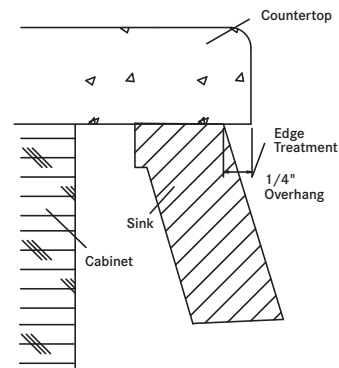
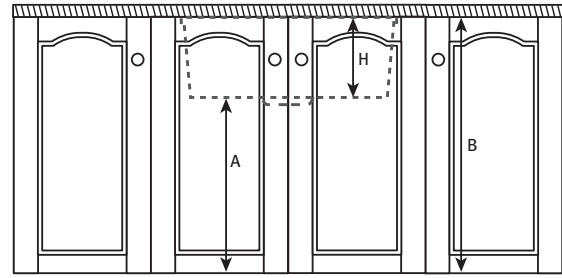
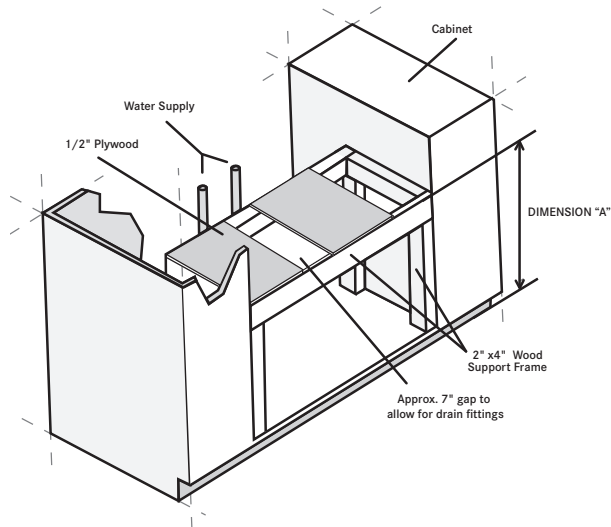
We also recommend installing the faucet and any deck mounted fittings at this point in the installation process (this would apply where the faucet and fittings are mounted to the sink ledge, or applications where the faucet and fittings are mounted directly to the countertop). The installation process is much simpler with the sink and countertop accessible from all sides.

5. Install the Sink

- 5a. Carefully place the sink into position on the wooden support frame. Check the height of the sink rim, and shim the sink to level if necessary.
- 5b. Apply a bead of translucent silicone along the center of the sink rim.
- 5c. Place the countertop into position and clean up excess silicone with a solvent and clean wiper.
- 5d. Connect drain assembly and supply fittings.

Undermount Sinks

- 1. Build a Support Frame** / Build a wood support frame in the sink base cabinet unit at a dimension "A" above the floor.

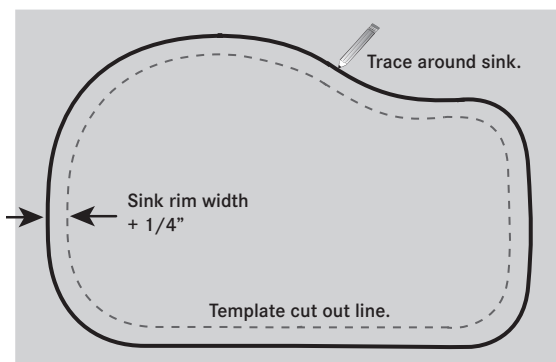


2. Prepare the Template

- 2a. Place the sink upside down on a piece of cardboard and trace the outside edge of the sink rim using a pencil.
- 2b. Remove the sink and set right side up. Measure the width of the sink rim in several locations around the perimeter, and determine the nominal dimension.
- 2c. Add 1/4" to the nominal sink rim width dimension. This 1/4" represents the overhang of the countertop into the sink bowl opening and this dimension can be increased if so desired (we do not recommend reducing this 1/4" dimension since the sink does not have a predictable inside shape).
- 2d. Set a compass to the sink rim width plus 1/4", and scribe a line that is inside the trace line.
- 2e. Cut out template by following the scribe line (innermost line).

3. Prepare the Countertop

- 3a. Position the template on top of the counter in the desired location. Center the template within the sink base cabinet unit, and ensure provision is made for mounting faucet and fittings behind the sink.
- 3b. Trace the outside edge of the template using a pencil.
- 3c. Cut-out sink opening following the trace line.



Undermount Sinks

4. Prepare the Sink

4a. Install Sink Strainers

We recommend installing the sink strainers at this point in the installation process. The installation process is much simpler with the sink accessible from all sides.

4b. Install Faucet and Fittings

We also recommend installing the faucet and any deck mounted fittings at this point in the installation process. The installation process is much simpler with the countertop accessible from all sides.

5. Install the Sink

5a. Carefully place the sink into position on the wooden support frame. Check the height of the sink rim, and shim the sink to level if necessary.

5b. Apply a bead of translucent silicone along the center of the sink rim.

5c. Place the countertop into position and clean up excess silicone with a solvent and clean wiper.

5d. Connect drain assembly and supply fittings.