

# ASSEMBLY INSTRUCTIONS

**Please read instructions carefully**

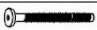
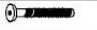



Remove all wrapping materials, staples and packing straps from the carton. Refer to Parts List and Hardware List and ensure they are complete before you start assembling. Place all wooden parts on a clean, flat and soft surface (e.g carpet or rug) to prevent parts from being scratched.

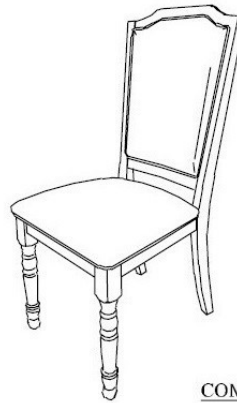
- CAUTIONS: 1) DO NOT FULLY TIGHTEN BOLTS AND NUTS UNTIL ALL PARTS HAVE BEEN ASSEMBLED.  
 2) DO NOT OVER-TIGHTEN BOLTS AND NUTS UNTIL ALL PARTS HAVE BEEN ASSEMBLED.  
 3) KEEP ALL HARDWARE PARTS OUT OF REACH OF CHILDREN.

**PARTS LIST (FOR 2 COMPLETE CHAIRS)**

NO.	COMPONENT	QTY.
P1	CHAIR BACK	2
P2	CHAIR SEAT	2
P3	FRONT LEG	4

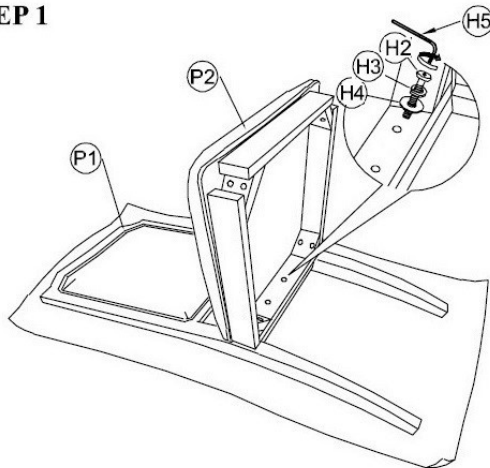
**HARDWARE LIST (FOR 2 NOS. OF CHAIRS)**

NO.	DESCRIPTION	QTY.
H1	JCBC SCREW M6 X 80 	16
H2	JCBC SCREW M6 X 35 	4
H3	SPRING WASHER 	20
H4	FLAT WASHER 	20
H5	ALLEN KEY 	1

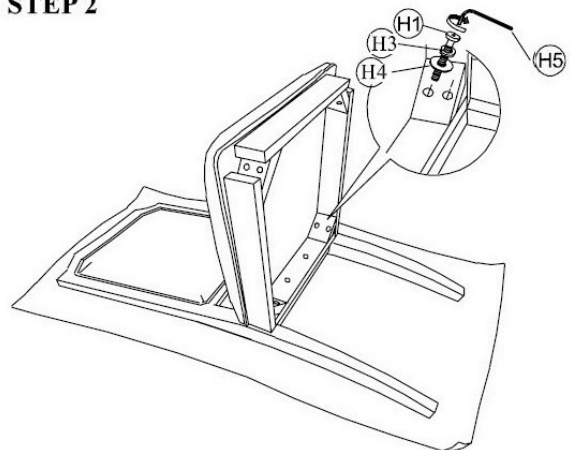


COMPLETE ASSEMBLY

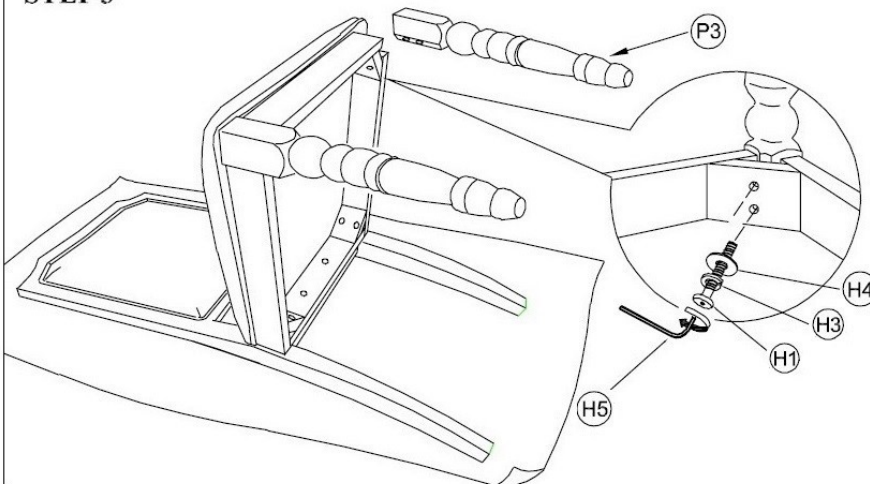
**STEP 1**



**STEP 2**



**STEP 3**



**CARE AND MAINTENANCE**

- SAFETY** - To avoid any risk of suffocation to children and animals, dispose off plastic bags immediately.  
**CLEANING** - Clean with damp cloth and mild detergent. Do not use bleach or abrasive products.  
**FITTINGS** - Tighten bolts and nuts from time to time to ensure all parts of product are securely fitted.