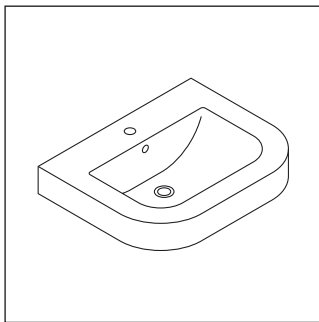


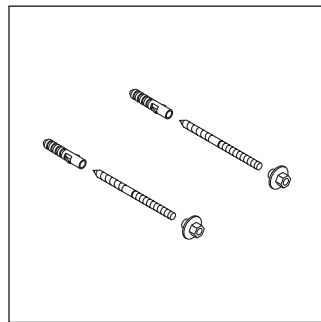
---

**Mounting instructions** Washbasin  
**安装说明** 脸盆



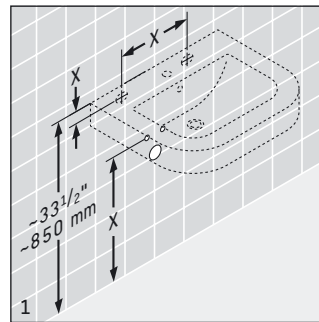
Washbasin

脸盆



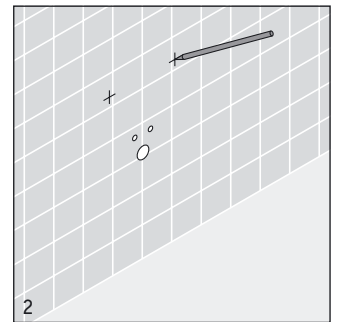
Installation kit

安装工具包



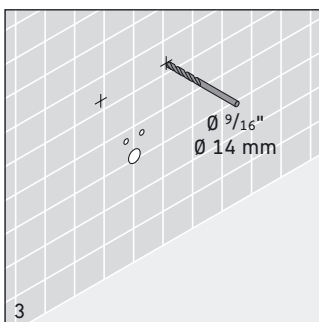
Before you start, determine the mounting dimensions, according to the corresponding specification sheet of the washbasin you would like to install.

开始安装前，根据杜拉维特的技术文件上你要安装的脸盆的相应规格，决定安装尺寸。



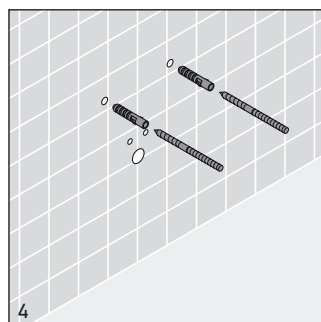
Mark the position of the mounting holes.

划出安装孔的位置。



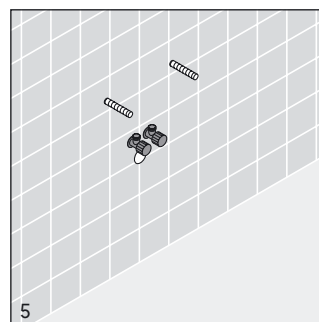
Using the appropriate bit for the wall material, drill pilot holes.

用适合墙体材料的钻头，钻出预埋孔（导向孔）。



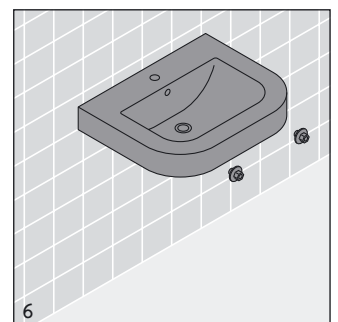
If the washbasin will be mounted at a concrete wall application, anchors have to be used.

安装于混凝土墙面时，必须使用塑料胀管。



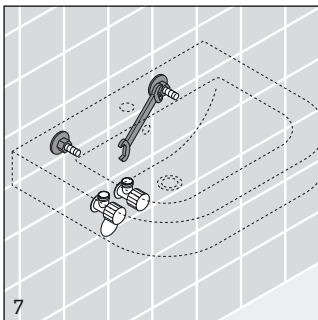
Install the angle valves.

安装角阀。



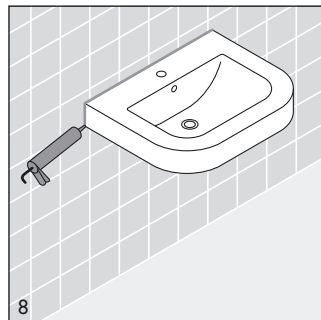
Carefully slide the washbasin onto the mounting bolts.

小心地将脸盆套上安装螺栓。



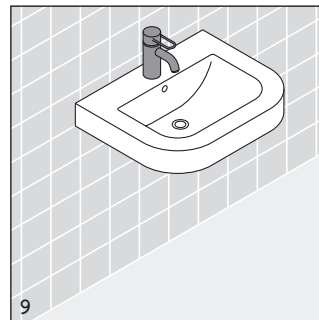
Insert the white plastic sleeve over bolt and into the hole in the washbasin. Install washer and nut, so the washbasin is secure. Tighten the nuts on the mounting hardware using a wrench. Do not overtighten!

把白色的塑料套圈套入螺栓, 并将套管部分嵌入脸盆的安装孔内。再依次装上垫圈和螺母, 确保脸盆挂平。用扳手上紧螺母。注意不能太紧!



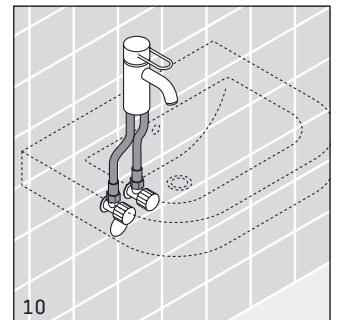
Add silicon around the base.

沿墙与脸盆底部接缝上硅胶。



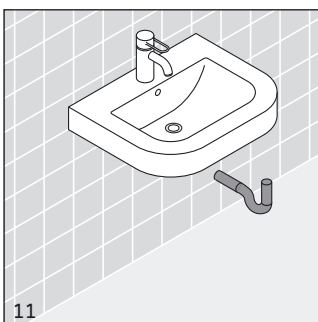
Install the tap to the washbasin.

把龙头装在脸盆上。



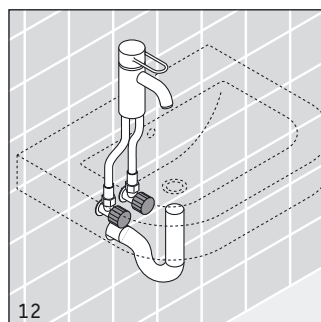
Attach the flexible pressure hose to the angle stops.

用耐压软管接到角阀上。



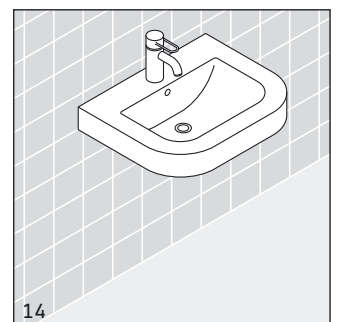
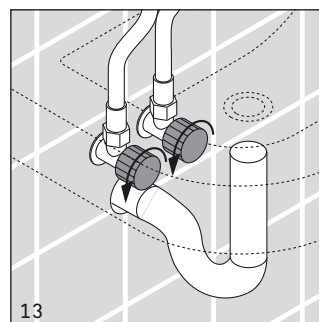
Attach the siphon according the corresponding mounting instruction.

存水弯按相应的说明书安装。



Turn on the water at the shut-off valve.

打开供水阀。



We reserve the right to make technical improvements and enhance the appearance of the products shown.  
由于技术改进, 我们保留改变产品规格说明的权利。

**Duravit AG**  
Werderstr. 36  
78132 Hornberg  
Germany  
Phone +49 78 33 70 0  
Fax +49 78 33 70 289  
info@duravit.de  
www.duravit.de

---

