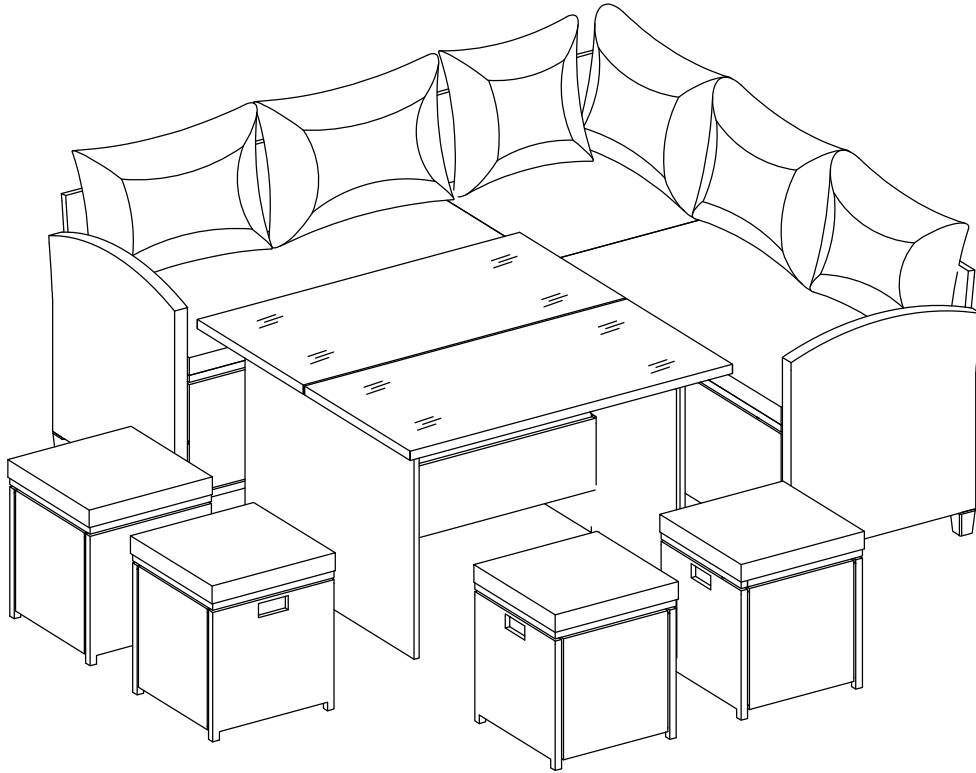


# **ASSEMBLY INSTRUCTION**

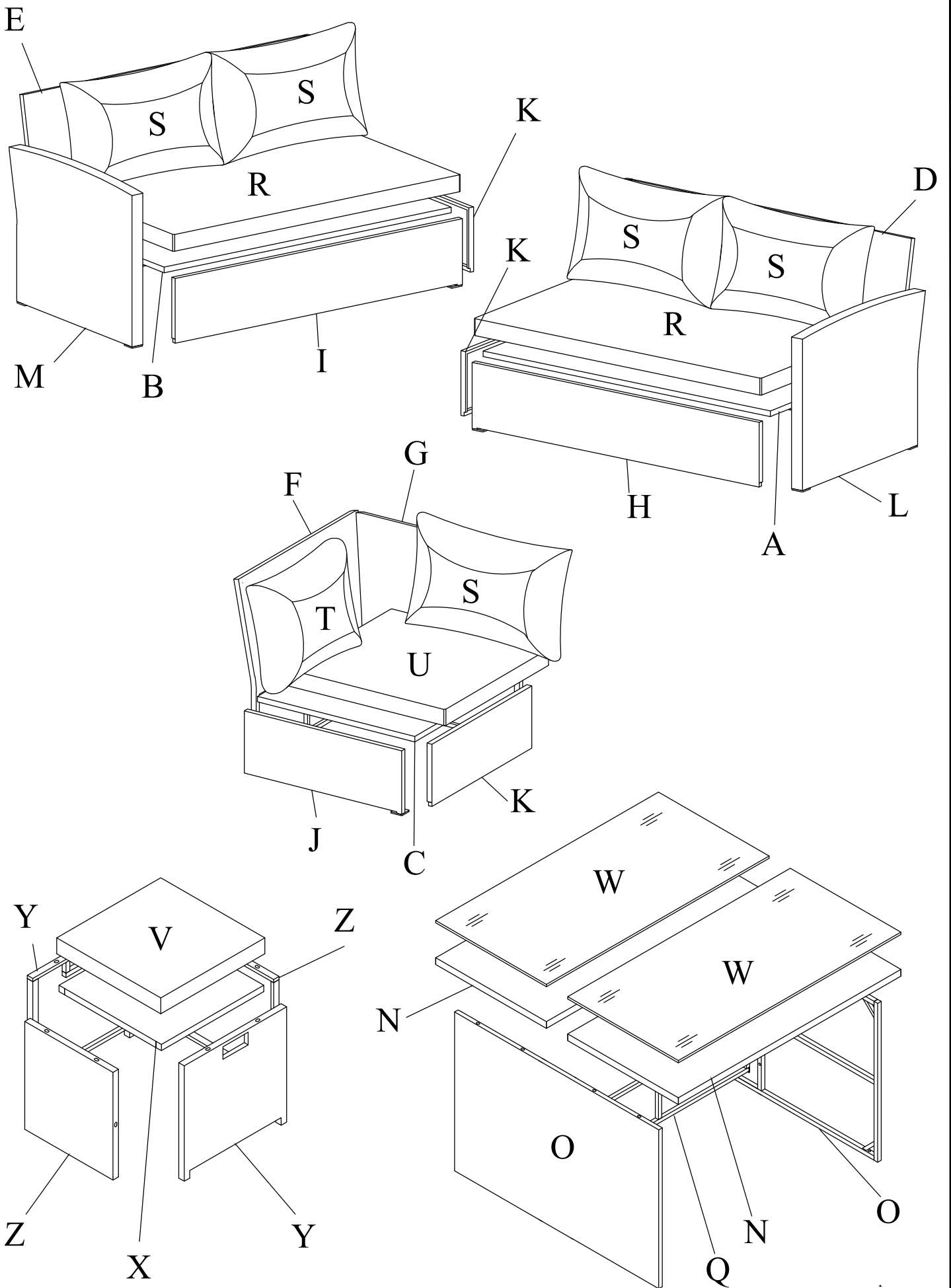
---

## **RATTAN SOFA SET**



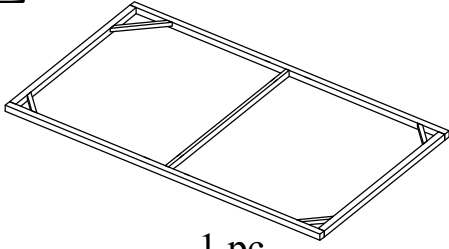
### **Notice:**

- 1. 50% Tighten before fixing all screws, Allen wrench is recommended instead of an electric drill.**
- 2. Place the item on a flat ground to adjust and make sure it remains stable.**
- 3. Tighten up all screws with tools gradually.**
- 4. If the screws are not aligned with holes during assembly, please loosen all the other screws to 50% and continue the assembly process.**
- 5. If the item is not stable, please loosen all the screws, adjust it on a flat ground and tighten up all screws again.**
- 6. Note : If one or some screws are fully tightened during assembly, chances are the others will not be aligned with**  
**In addition, all the holes are designed to be relatively larger to provide more space for the adjustment of the screws.**



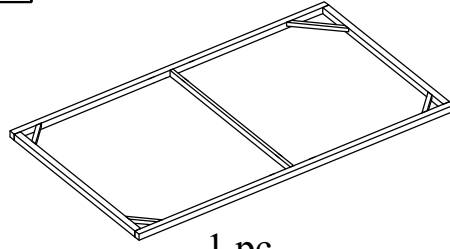
# Part List & Hardware

A



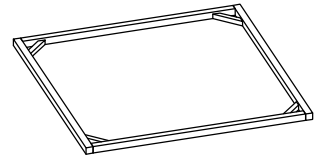
1 pc

B



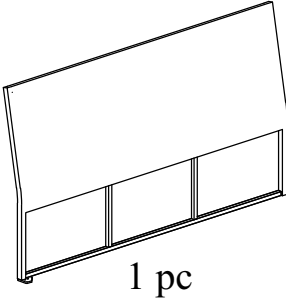
1 pc

C



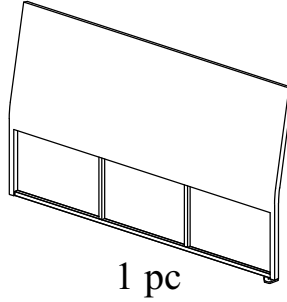
1 pc

D



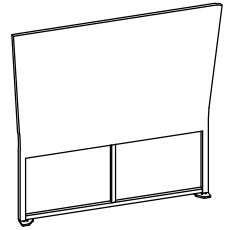
1 pc

E



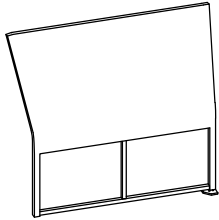
1 pc

F



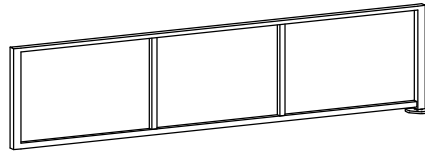
1 pc

G



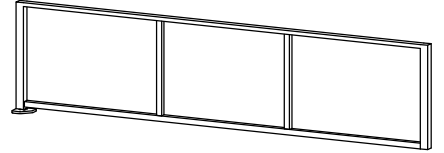
1 pc

H



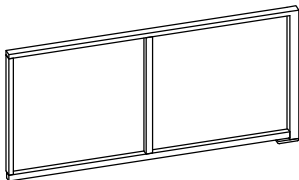
1 pc

I



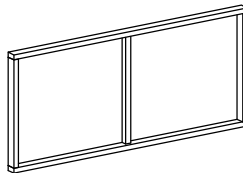
1 pc

J



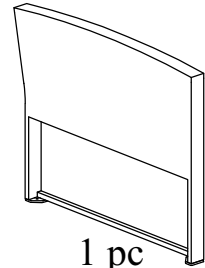
1 pc

K



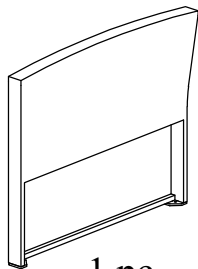
3 pcs

L



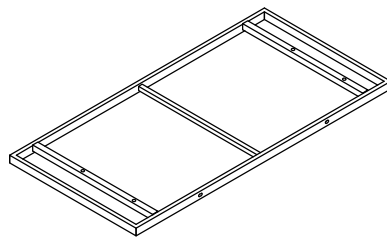
1 pc

M



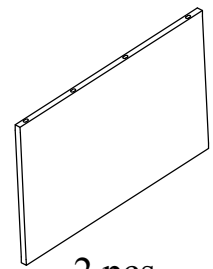
1 pc

N



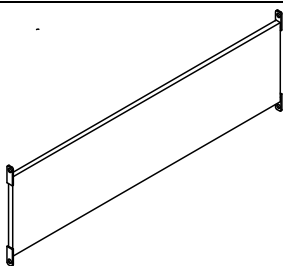
2 pcs

O



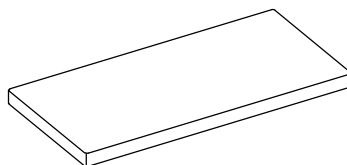
2 pcs

Q



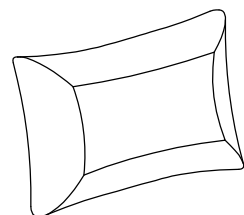
1 pc

R



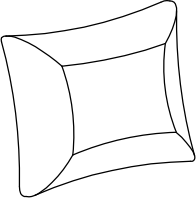
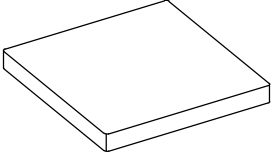
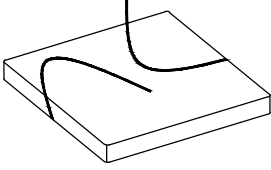
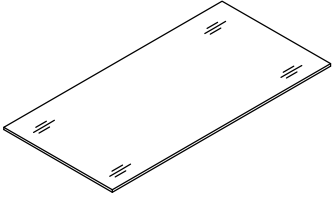
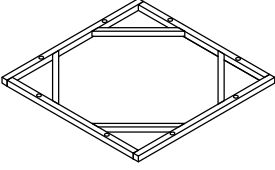
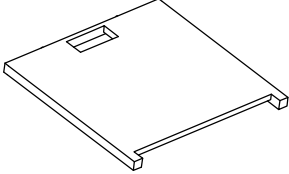
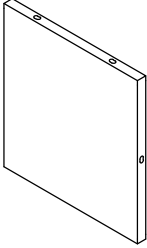
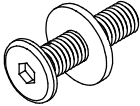
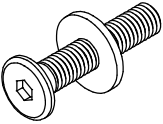
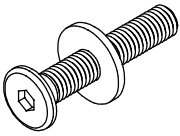
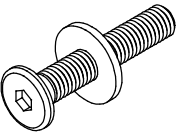
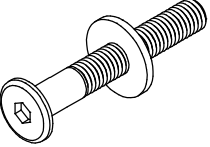
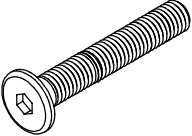
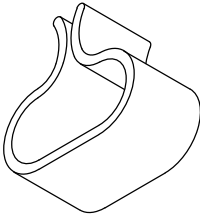
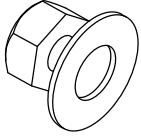
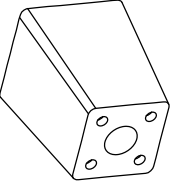
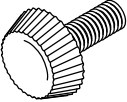
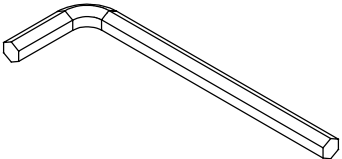
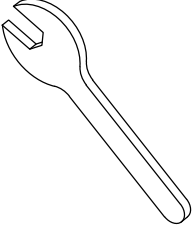
2 pcs

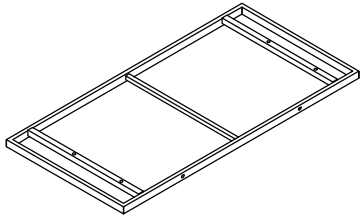
S



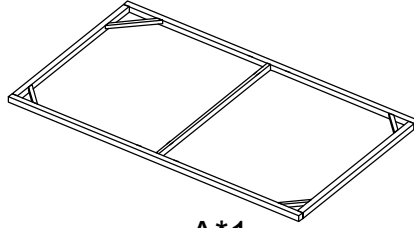
5 pcs

# Part List & Hardware

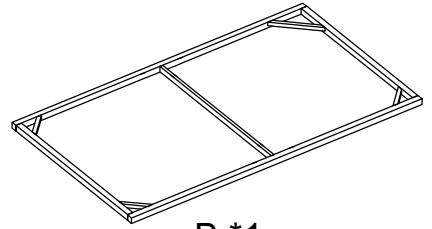
<p><b>T</b></p>  <p>1 pc</p>	<p><b>U</b></p>  <p>1 pc</p>	<p><b>V</b></p>  <p>4 pcs</p>	<p><b>W</b></p>  <p>2 pcs</p>
<p><b>X</b></p>  <p>4 pcs</p>	<p><b>Y</b></p>  <p>8 pcs</p>	<p><b>Z</b></p>  <p>8 pcs</p>	
<p><b>1</b></p>  <p>Bolt M6 x 15mm (4 pcs + extra 1pc)</p>	<p><b>2</b></p>  <p>Bolt M6x30 mm (73pcs+extra 3pcs)</p>	<p><b>3</b></p>  <p>Bolt M6x35mm (24pcs+extra 2pcs)</p>	<p><b>4</b></p>  <p>Bolt M6x40 mm (4pcs+extra 1pc)</p>
<p><b>5</b></p>  <p>Bolt M6x60 mm (4 pcs+extra 1pc)</p>	<p><b>6</b></p>  <p>Bolt M6x55 mm (12pcs+extra 2pcs)</p>	<p><b>7</b></p>  <p>Connector plastic (4 pcs)</p>	<p><b>8</b></p>  <p>Nut M6(2pcs + extra 1pc)</p>
<p><b>9</b></p>  <p>Plastic feet 1 (12pcs)</p>	<p><b>10</b></p>  <p>Plastic feet 2 (6pcs)</p>	<p><b>11</b></p>  <p>Allen key M4 (2pcs)</p>	<p><b>12</b></p>  <p>Spanner (1pc)</p>



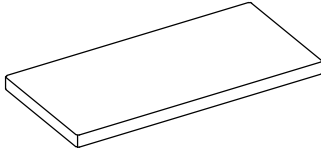
N\*2



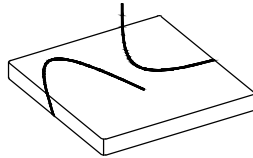
A\*1



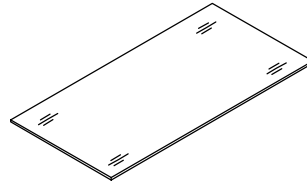
B\*1



R\*2



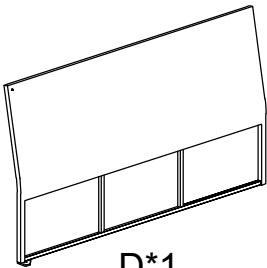
V\*4



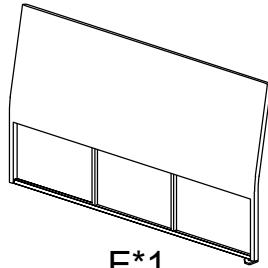
W\*2



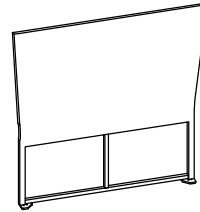
HARDWARE



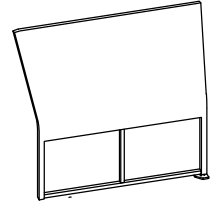
D\*1



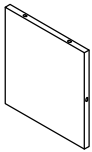
E\*1



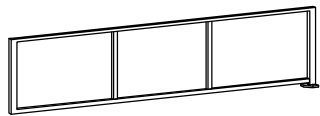
F\*1



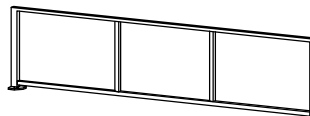
G\*1



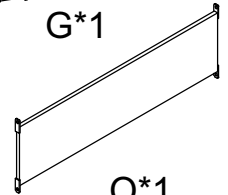
Z\*8



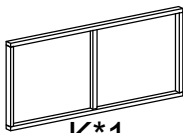
H\*1



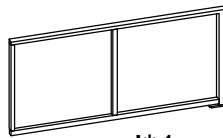
I\*1



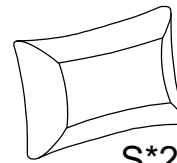
Q\*1



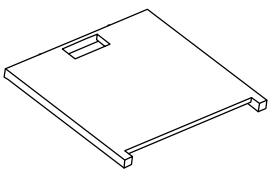
K\*1



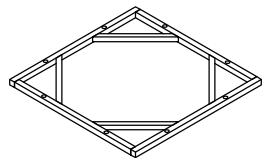
J\*1



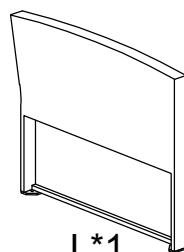
S\*2



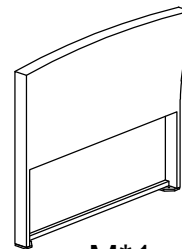
Y\*8



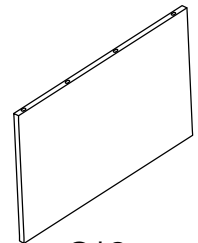
X\*4



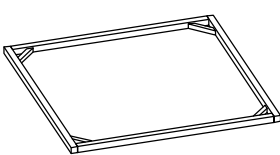
L\*1



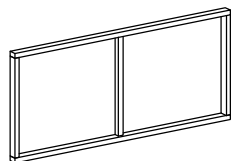
M\*1



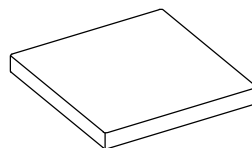
O\*2



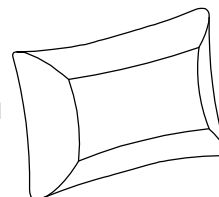
C\*1



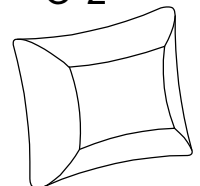
K\*2



U\*1

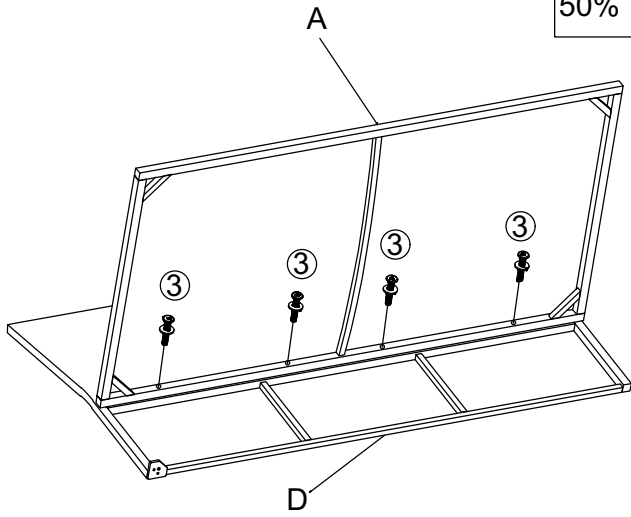
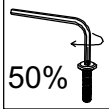


S\*3



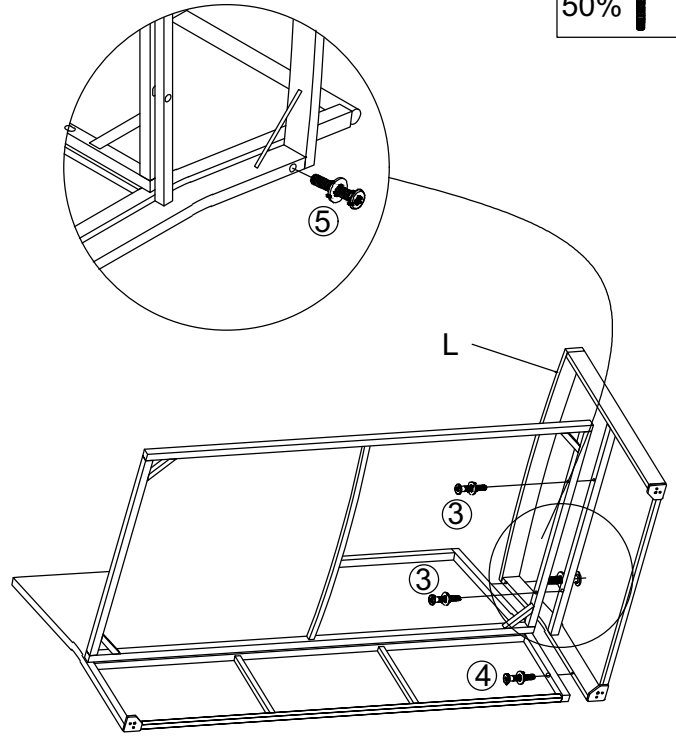
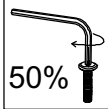
T\*1

### STEP 1 (Bench Left Assembly)



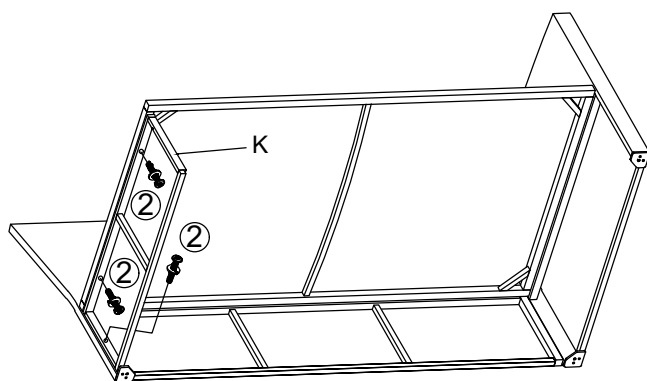
③\*4

### STEP 2



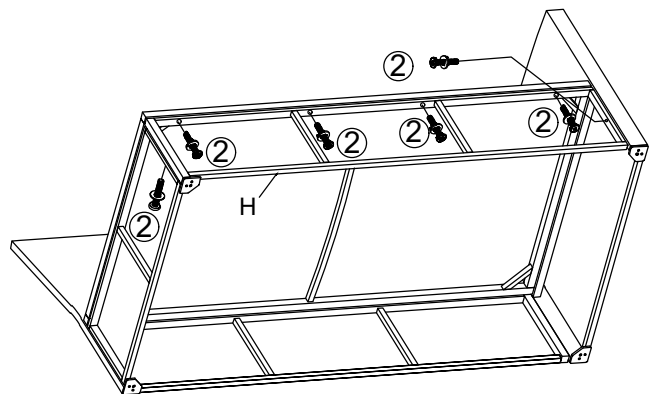
③\*2 ④\*1 ⑤\*1

### STEP 3



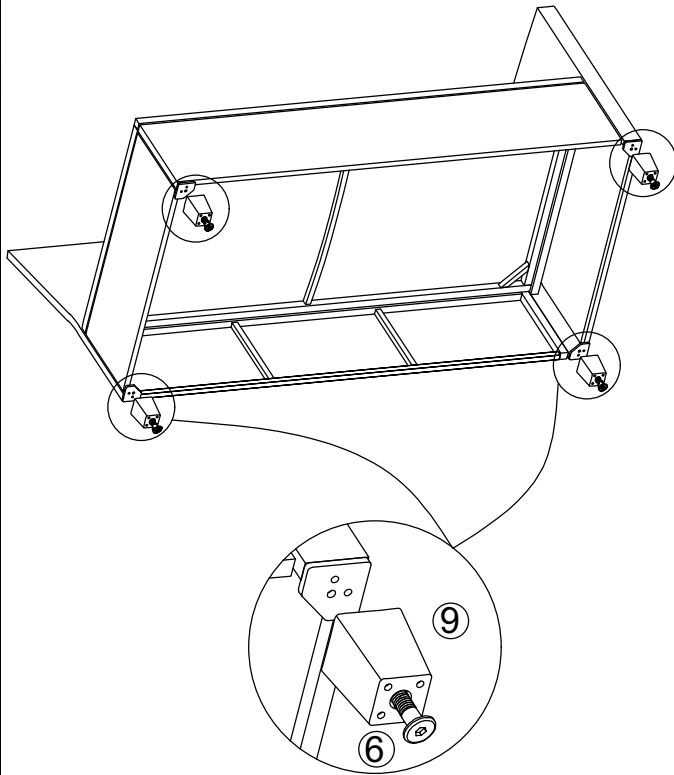
②\*3

### STEP 4



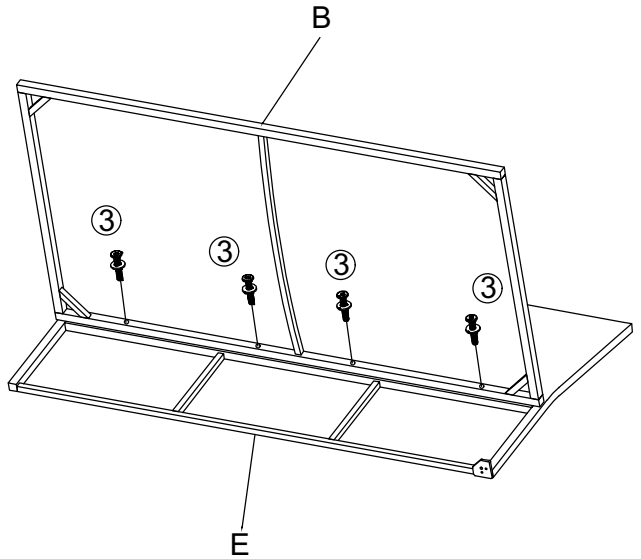
②\*6

### STEP 5



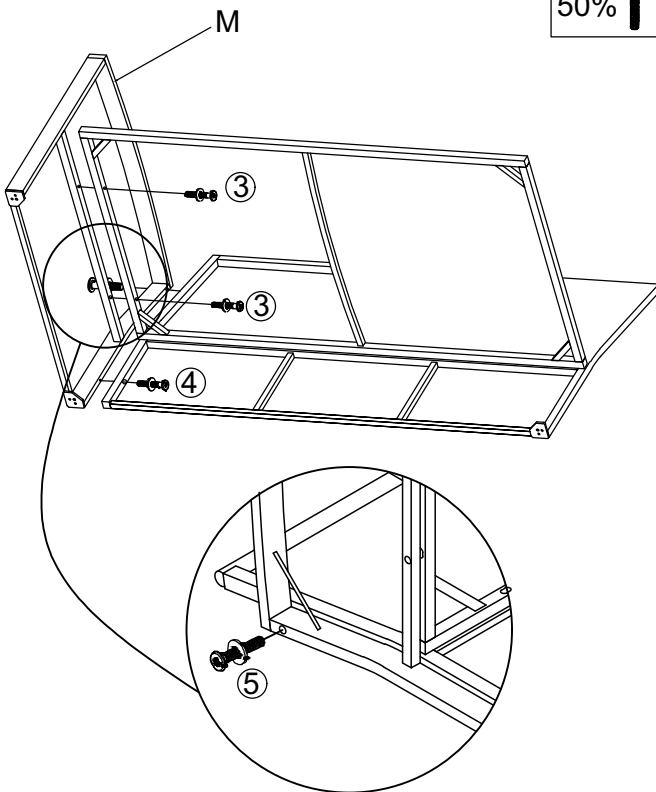
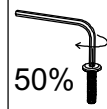
⑥\*4 ⑨\*4

### STEP 6 (Bench Right Assembly)



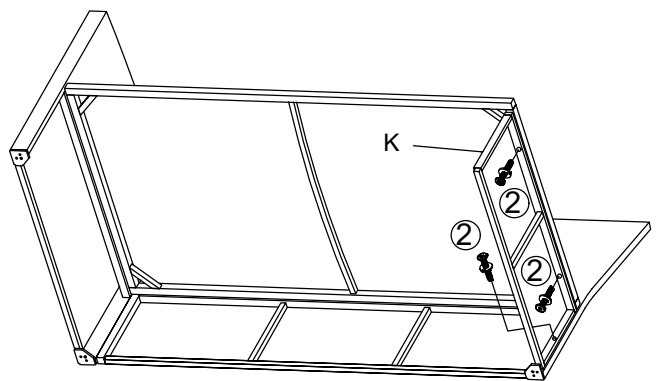
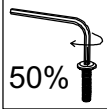
③\*4

### STEP 7



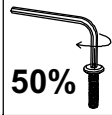
③\*2 ④\*1 ⑤\*1

### STEP 8

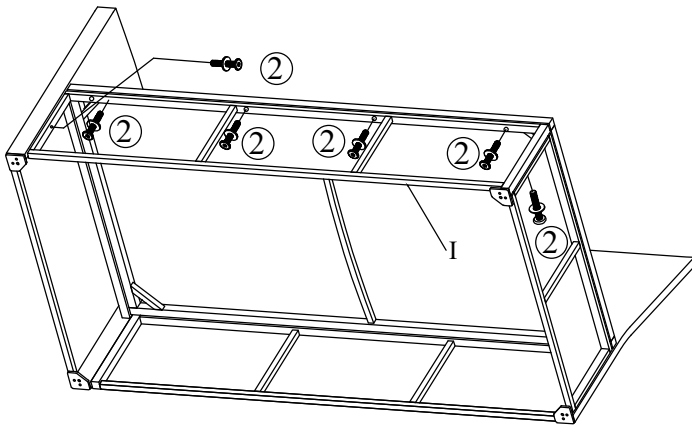


②\*3

### STEP 9



50%

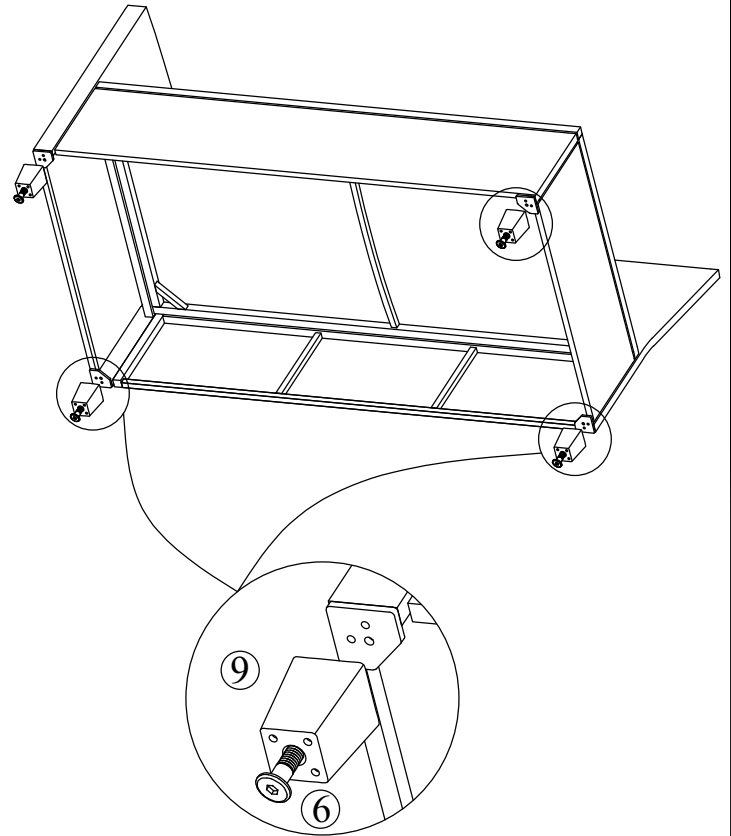


②\*6

### STEP 10



100%



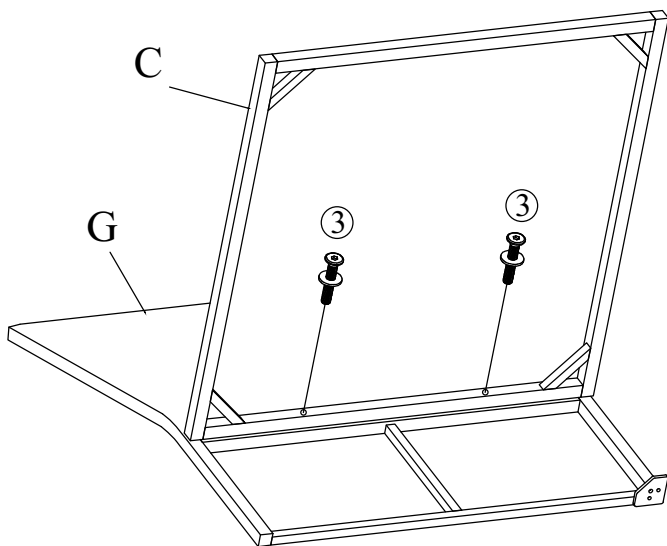
⑥\*4

⑨\*4

### STEP 11 (Conner assembly)



50%

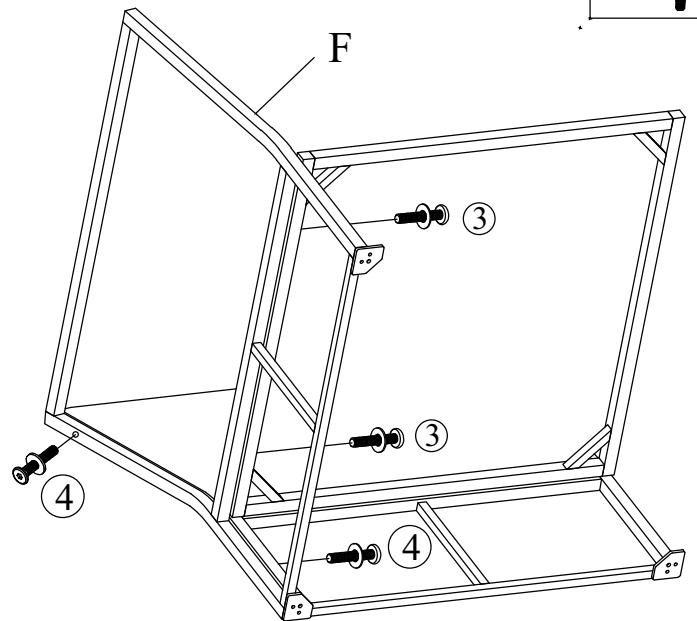


③\*2

### STEP 12



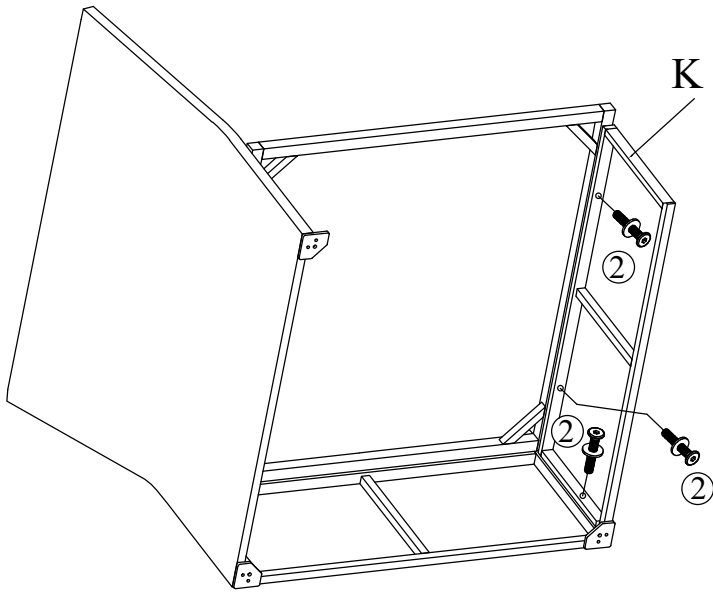
50%



③\*2

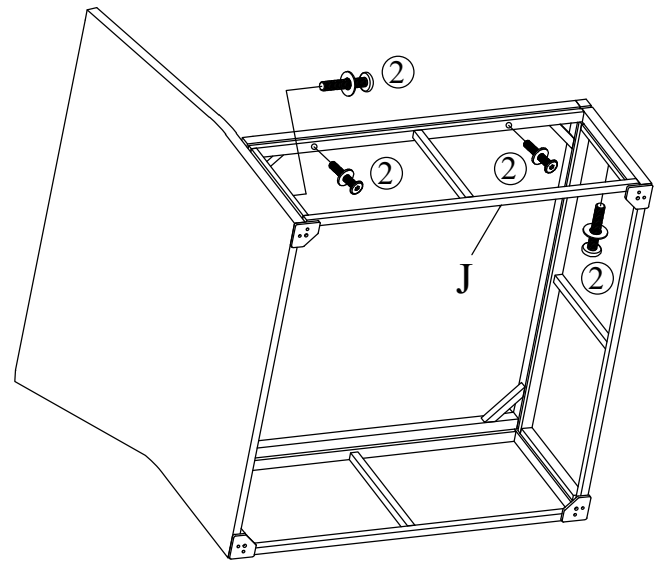
④\*2

STEP 13



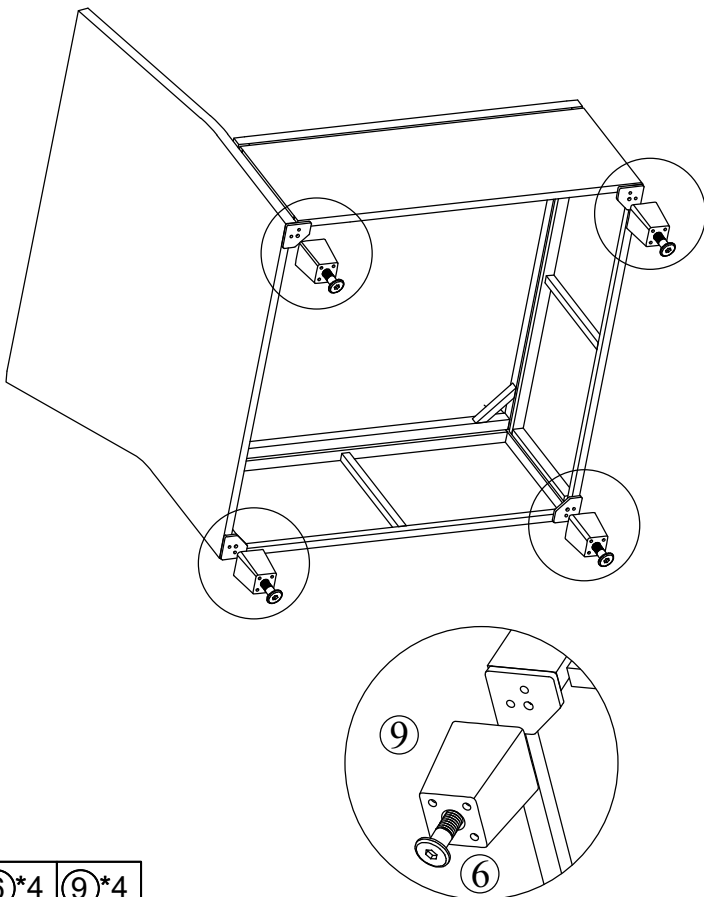
②\*3

STEP 14



②\*4

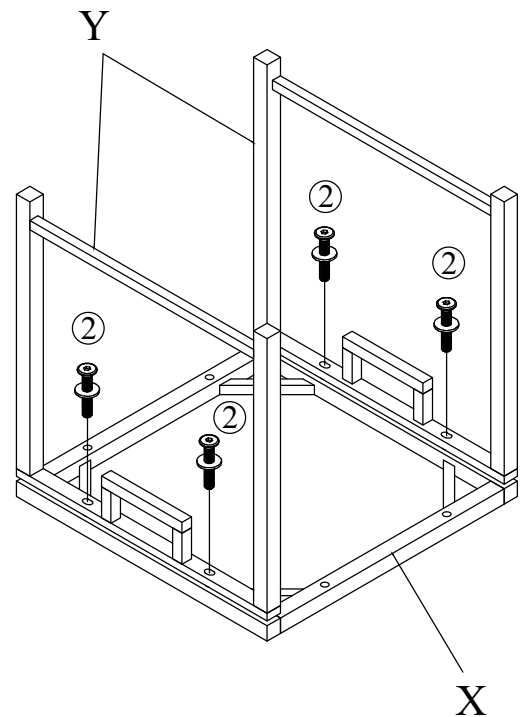
STEP 15



⑥\*4

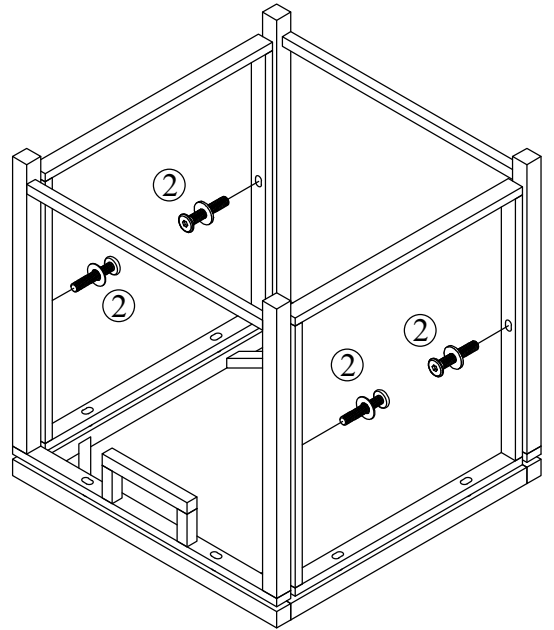
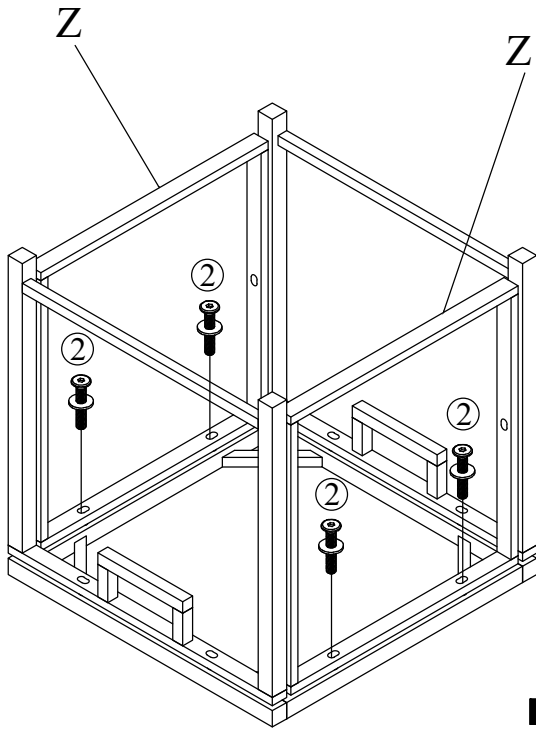
⑨\*4

STEP 16 x 4 (Stool assembly)



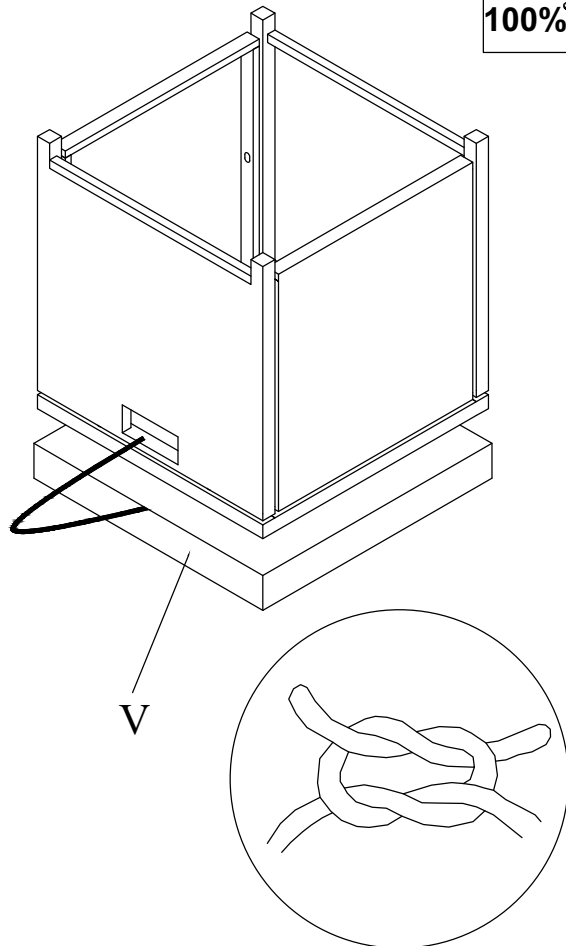
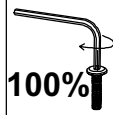
②\*4

STEP 17 x 4

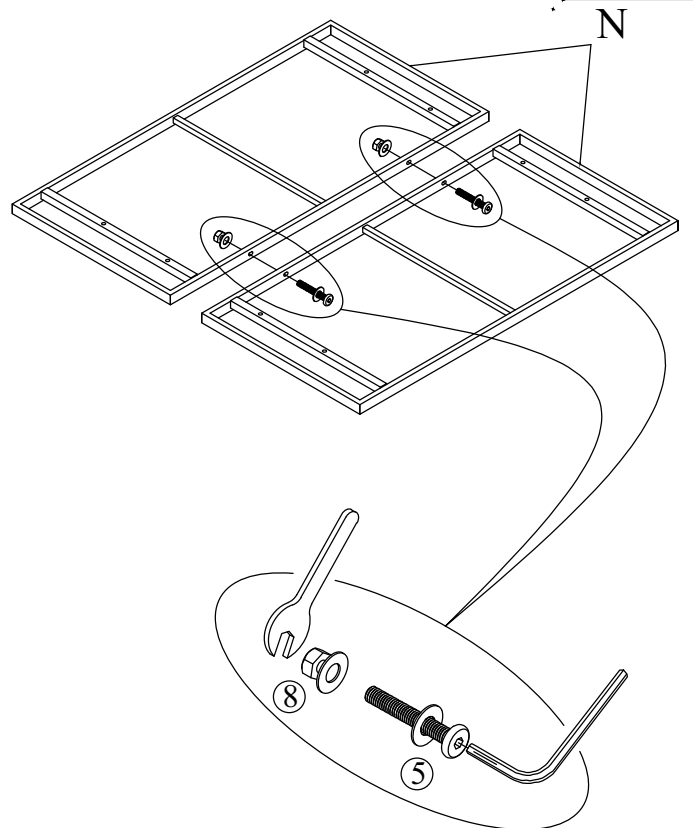


②\*8

STEP 18 x4

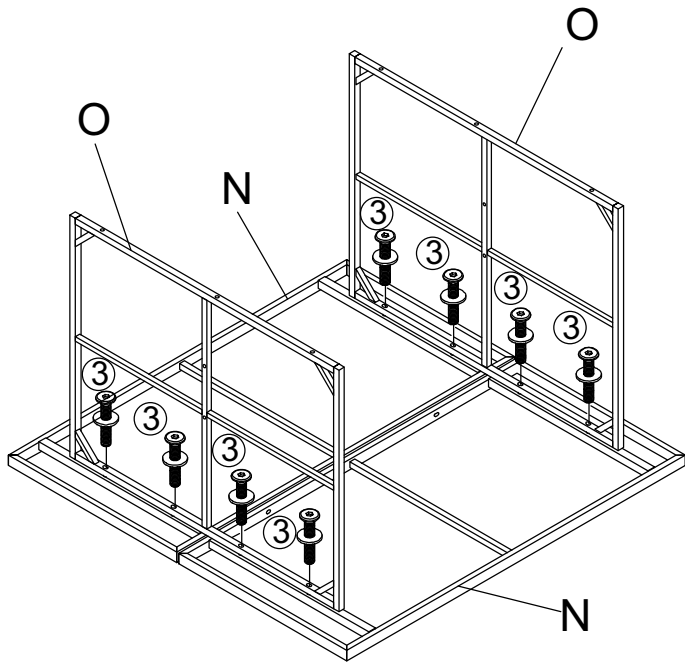
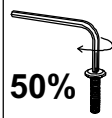


STEP 19 (Table assembly)



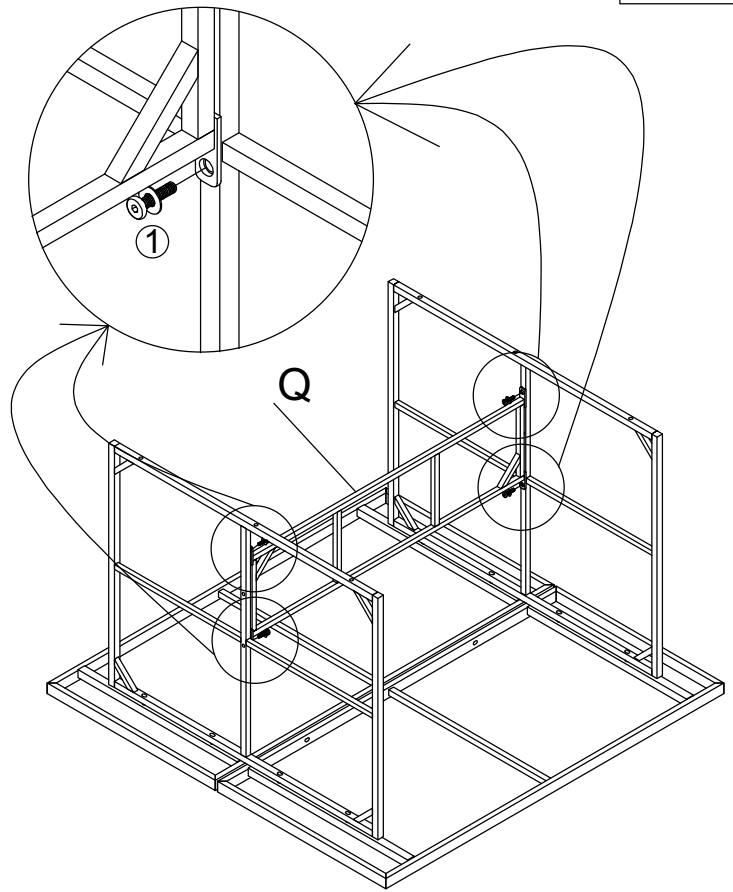
⑤\*2 ⑧\*2

### STEP 20



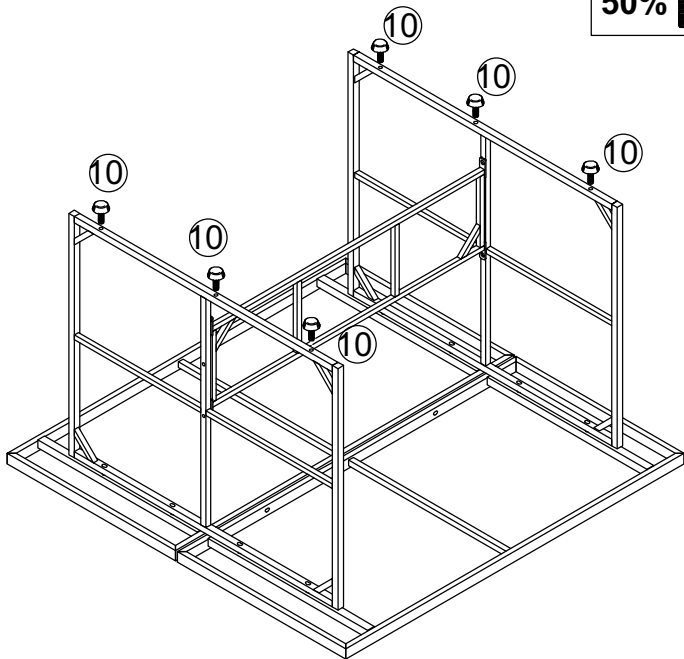
3\*8

### STEP 21



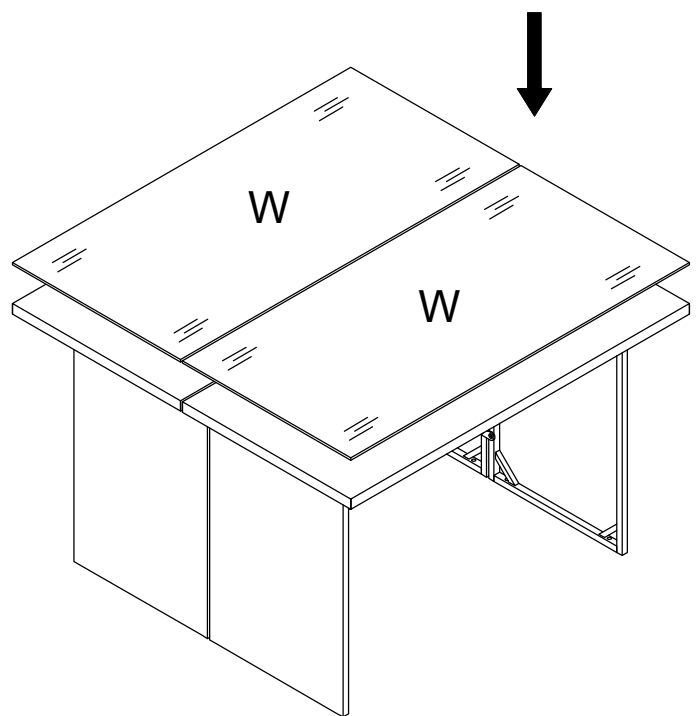
1\*4

### STEP 22

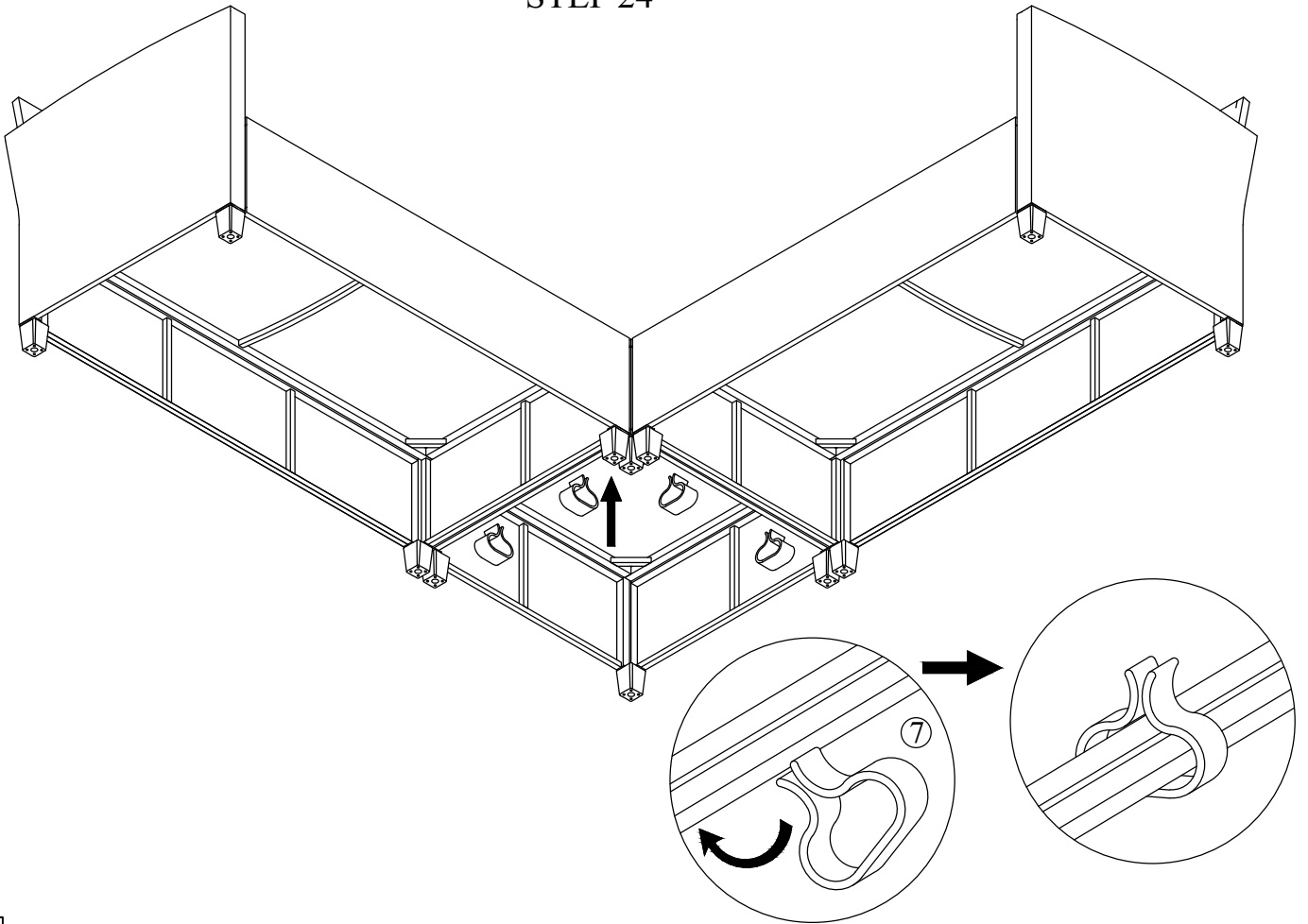


10\*6

### STEP 23



STEP 24



⑦\*4

STEP 25

