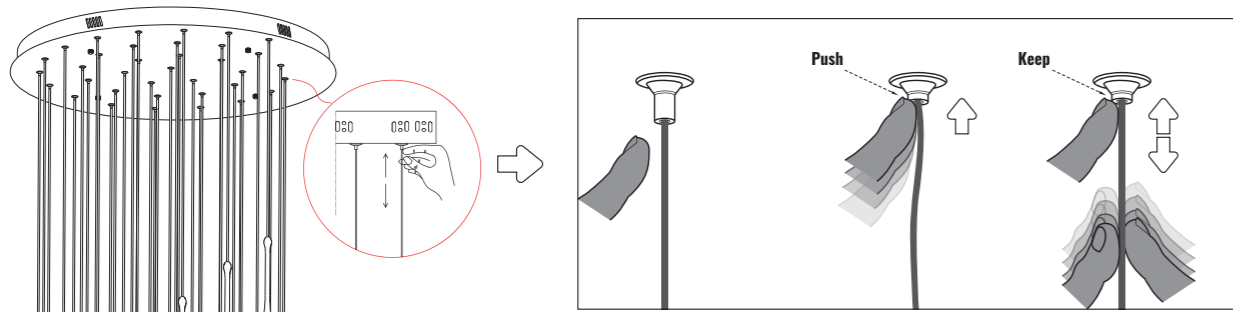


## WIRE LENGTH ADJUSTMENT



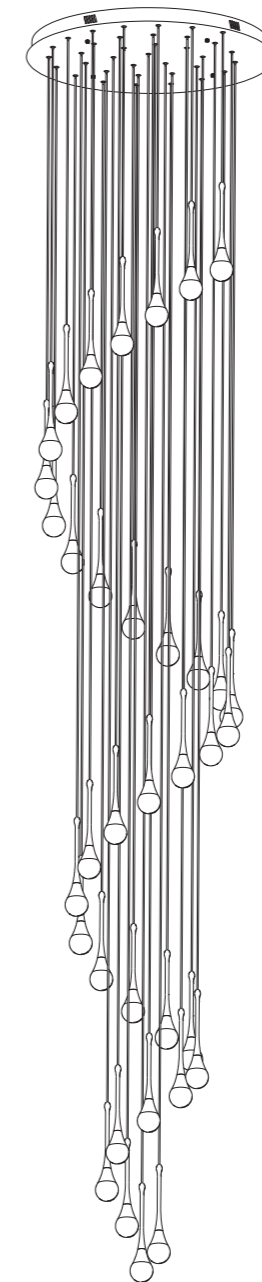
**Step 1:** Using the tip of your finger or a fingernail, push the pin embedded in the ceiling canopy. This action will release the cable locking mechanism.

**Step 2:** While keeping the pin in its depressed position, gently pull downward (or push upward) on the cable. Repeat this process for each cable to adjust the height of the fixture as needed.

# INSTALLATION MANUAL

## CHANDELIER

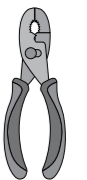
Model No.: JT2202G-36A



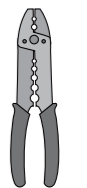
## TOOLS REQUIRED



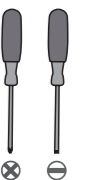
Ladder



Pliers



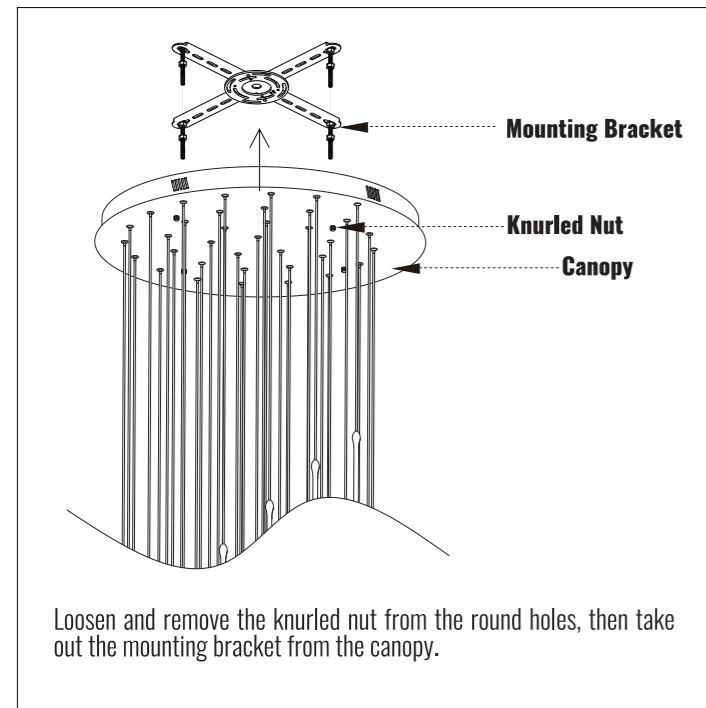
Wire  
Strippers



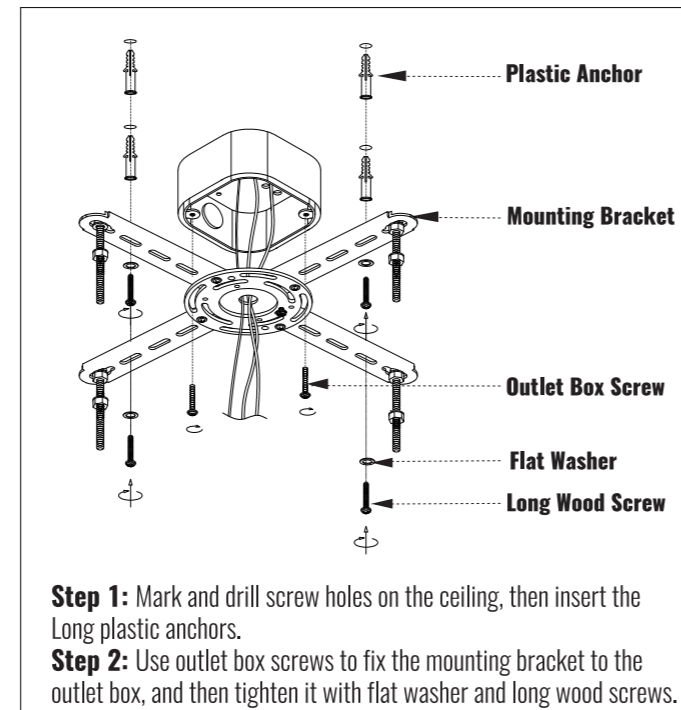
Screwdrivers

## MOUNTING AND WIRING

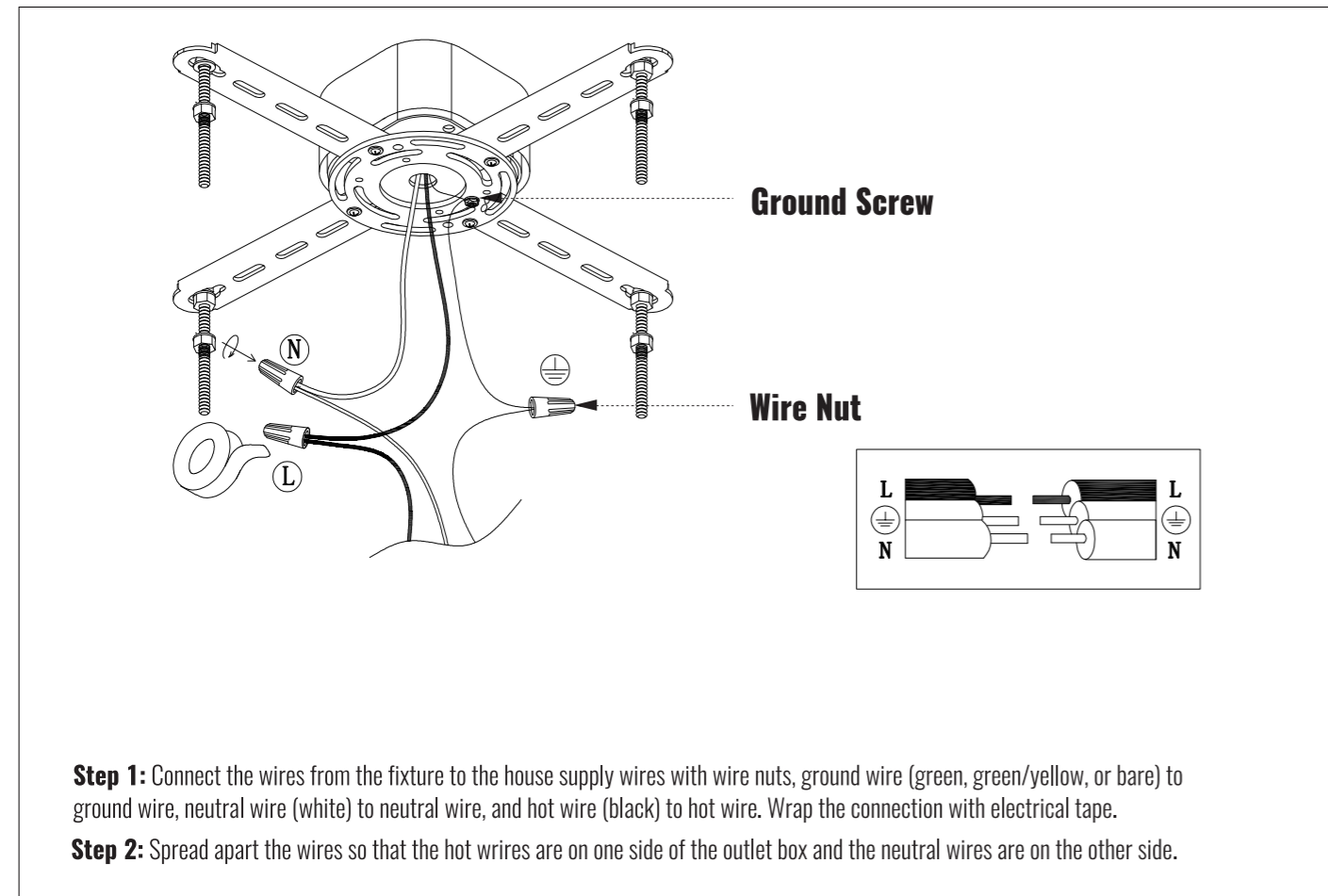
### 1. Remove Mounting Bracket



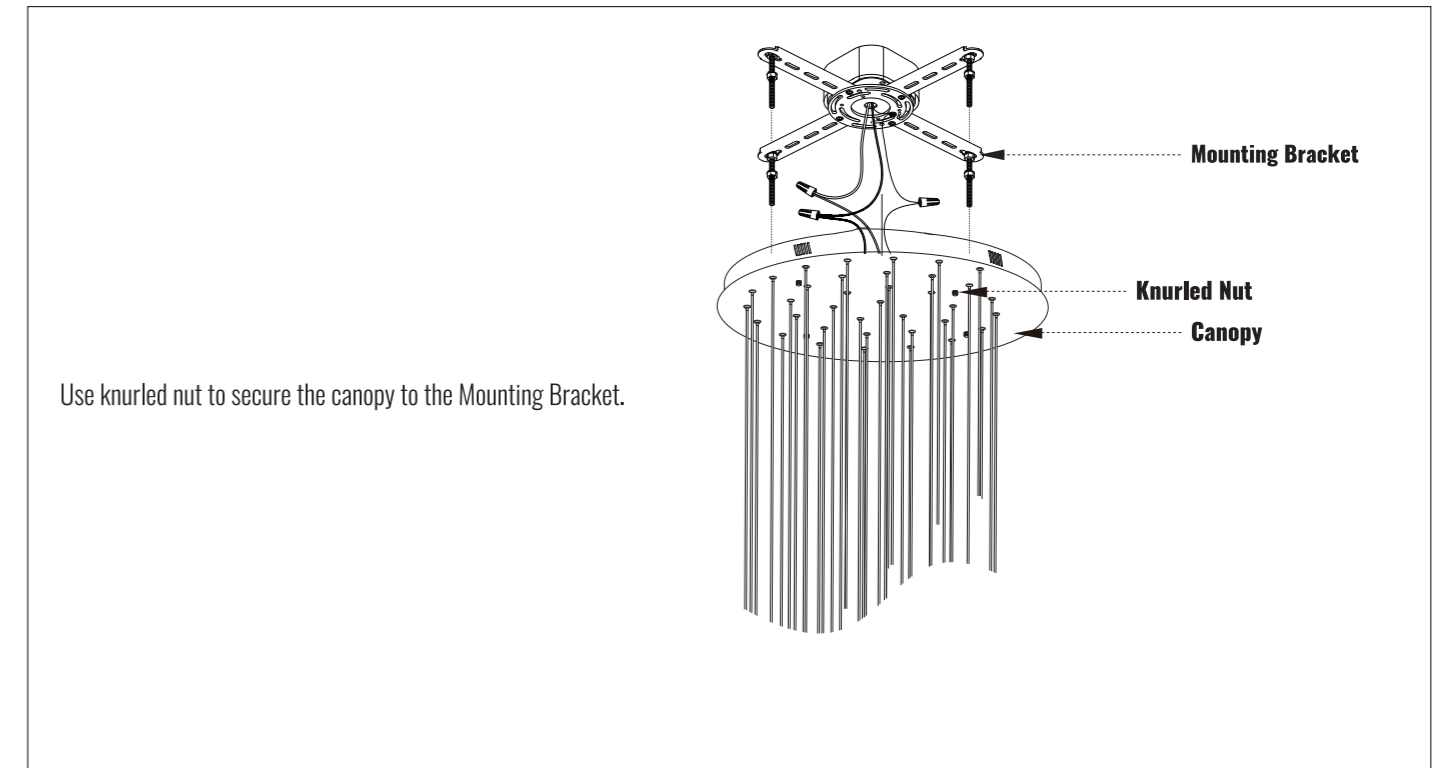
### 2. Fix the Mounting Bracket



### 3. Connect the Wires



### 4. Install Canopy



## LAMP BODY INSTALLATION

### 1. Install Round Crystal Ball

