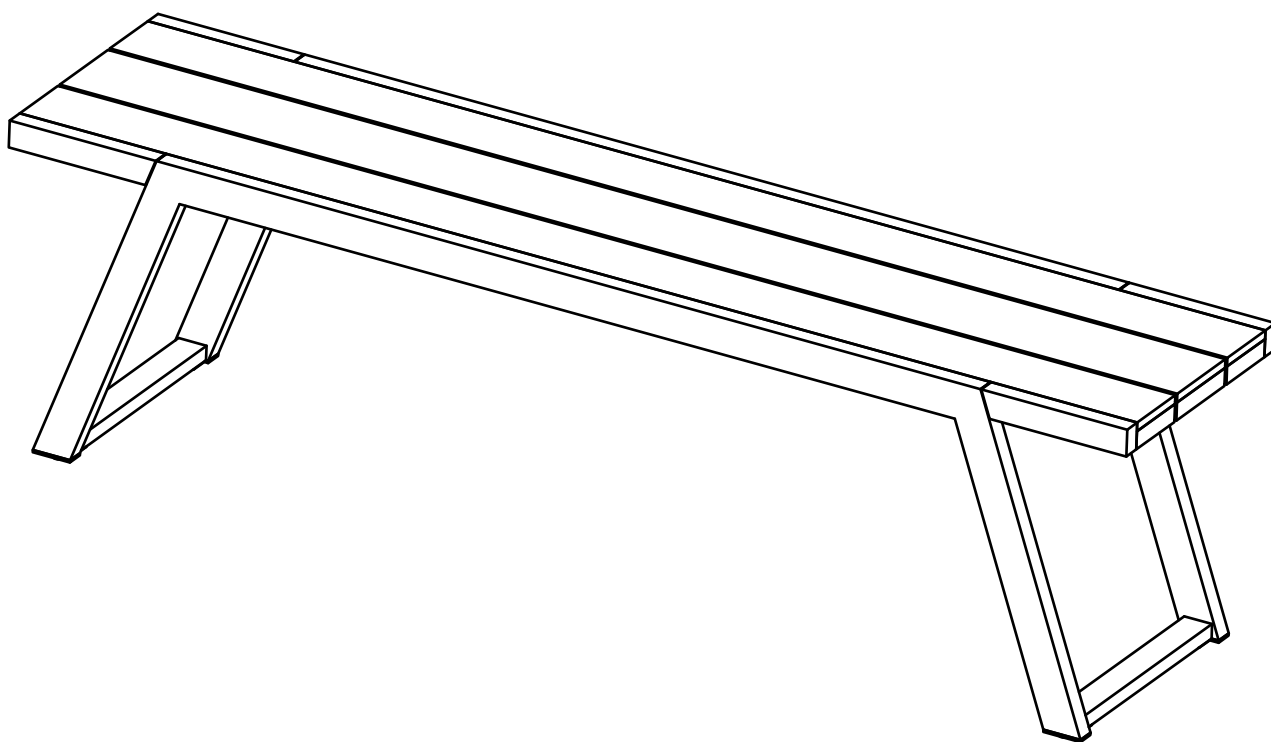


# Assembly Instructions

**Caution:** You must read this **Assembly instructions** before you proceed.

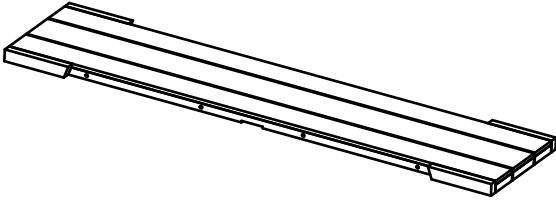
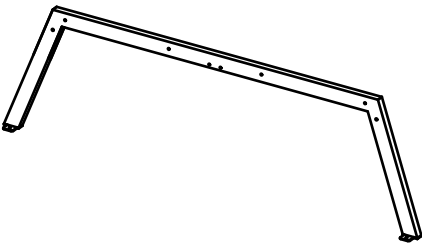
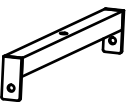
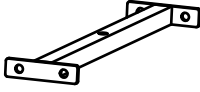
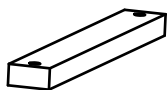
Please look in the **Leg Frames** for all hardware.

## **BENCH**








**Caution:** This Bench is NOT a TOY.  
Keep your child/children at bay during the assembly process.  
Whenever moving/lifting the Bench and to prevent damage to the Bench, two adult partners may be needed to execute these actions.

## Part List:

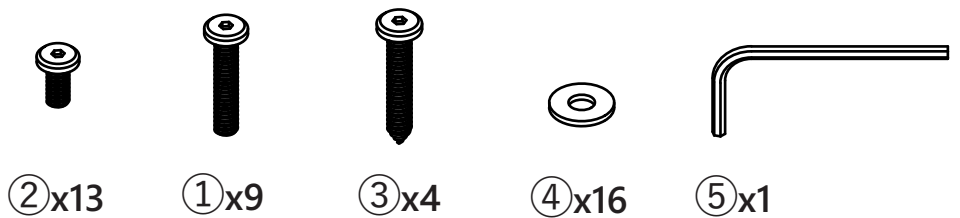
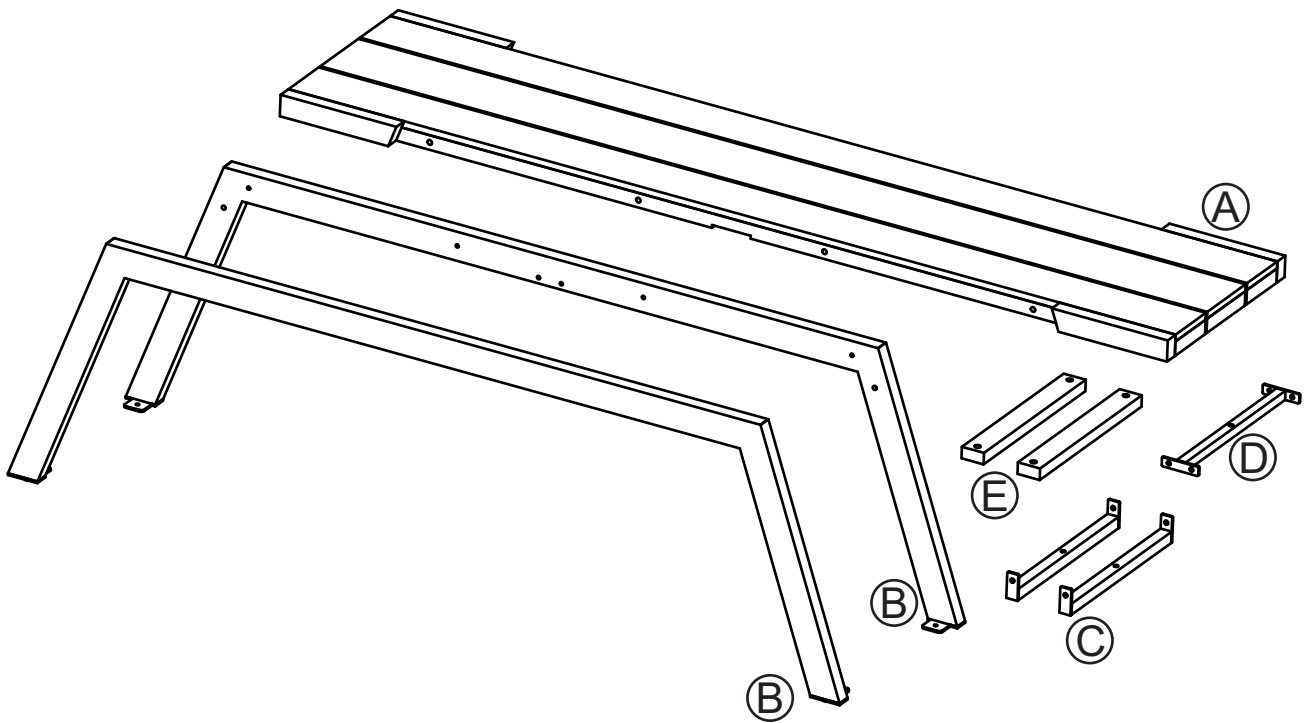
Label	Picture	Description	QTY
A		Bench Top	1
B		Leg Frame	2
C		Side Support Bar	2
D		Middle Support Bar	1
E		Support Leg	2

## Hardware:

Label	Picture	Description	QTY
①		Bolt (M6x35mm)	9
②		Bolt (M6x20mm)	13
③		Screw (M6x40mm)	4
④		Washer (M6.5/16x2mm)	16
⑤		Allen Wrench	1

# Assembly Preparation :

Before Beginning Assembly:



- Read instructions, cover to cover-



- Have 2 adults on hand for assembly-



- Do not assemble on flooring or carpet-



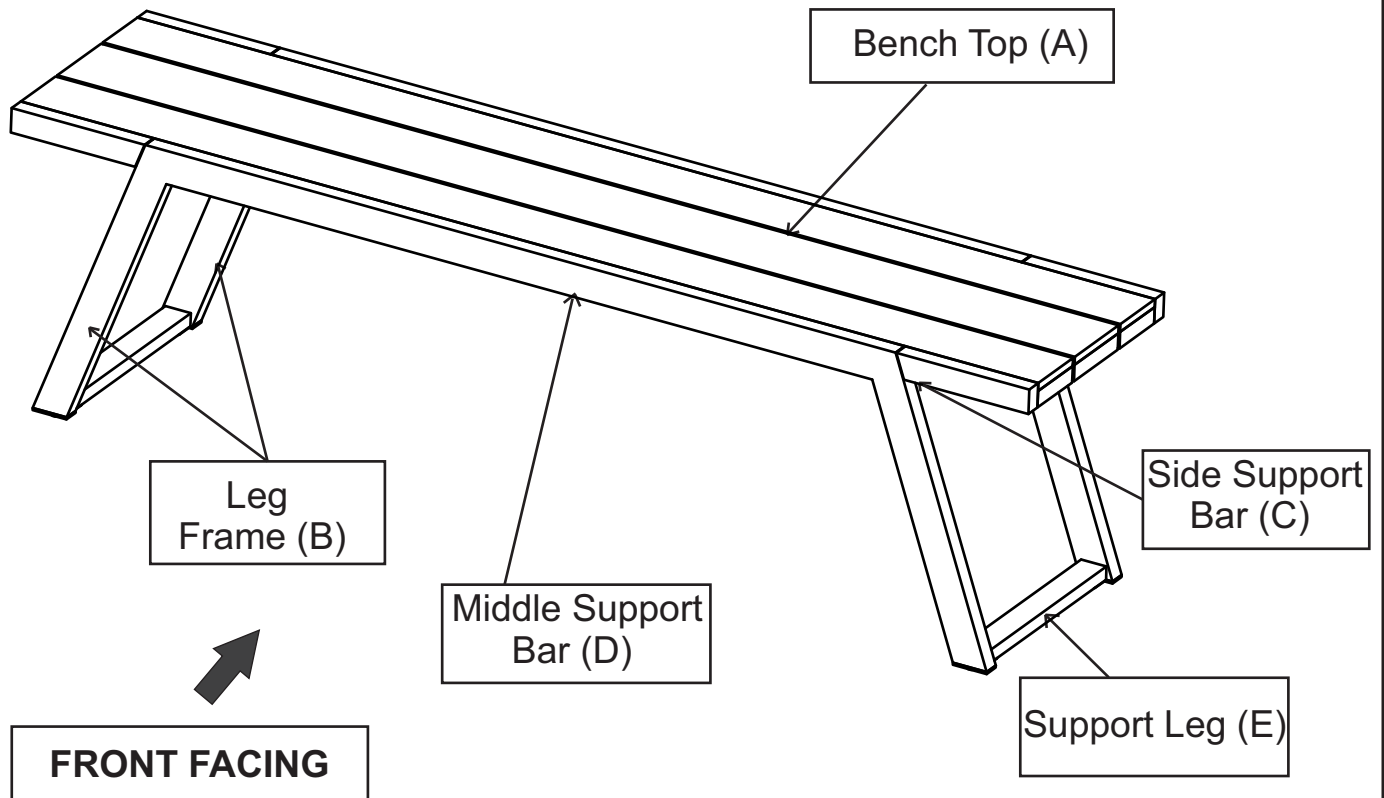
- Assemble on a clean non-marring surface (packing foam)-



- Save all packaging until finished-

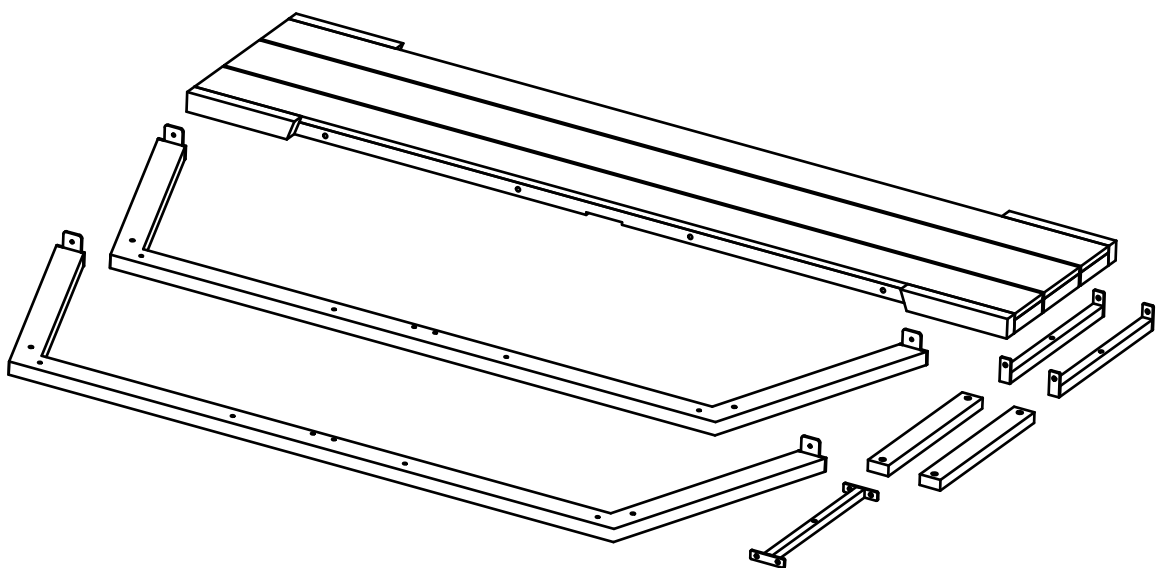
# Assembly Steps:

## Overview:



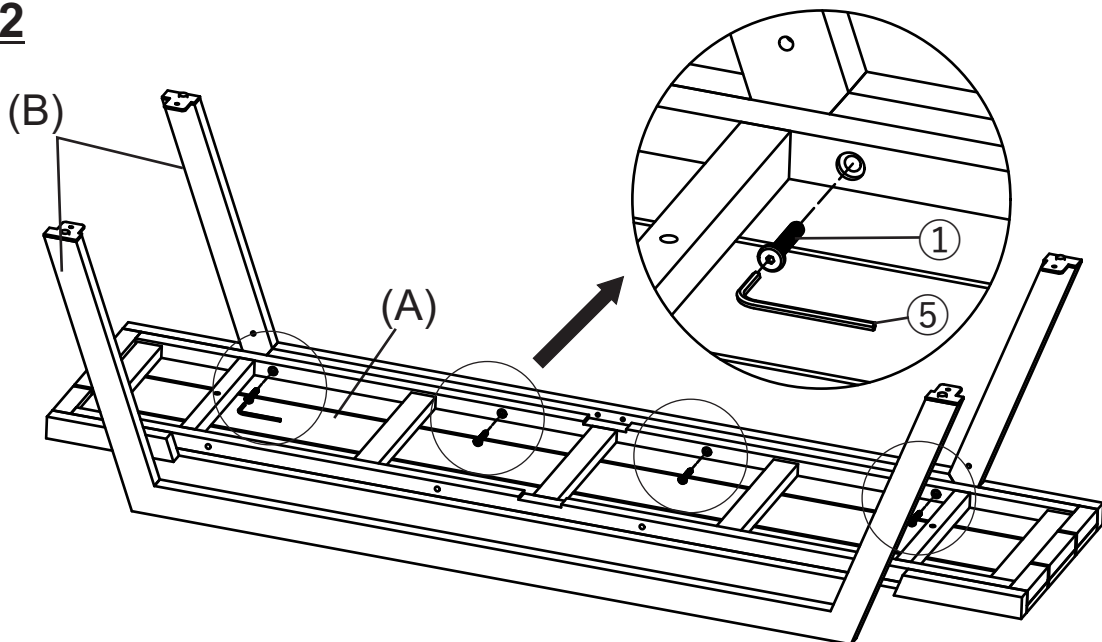
This Bench has multiple parts and may require up to 30 minutes to assemble. To give you an overview of the Bench parts, the above picture is to help you put the various parts into perspective. Please read through the instructions below to familiarise yourself with the parts and steps before assembly.

## Step 1



Unpack and place all parts on a clean, non-marring surface.

## Step 2



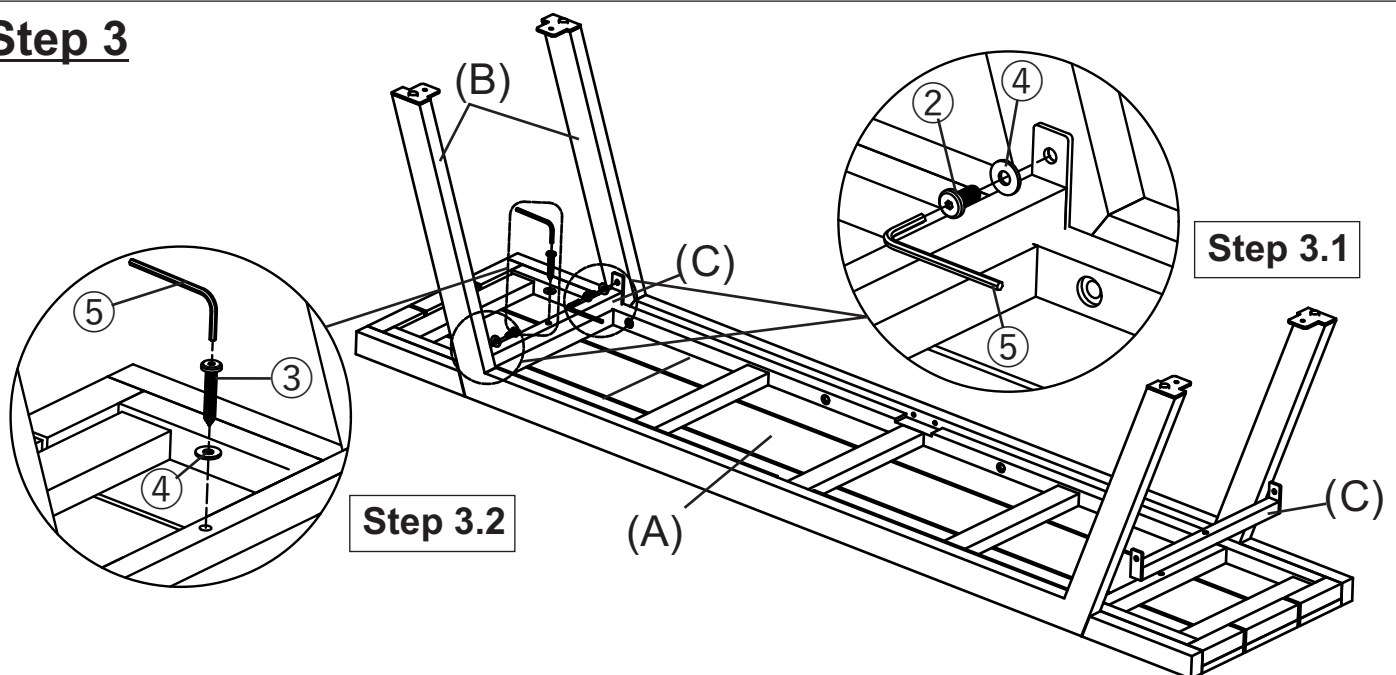
With assistance from your adult partners, turn the Bench Top (A) (bottom-side up) and place on a clean, non-marring surface to avoid any scratches or damage to the product.

Attach the Leg Frame (B) to the Bench Top (A) using Bolts (①), and the Allen Wrench (⑤).

Repeat the same process with the remaining Leg Frame (B).

**DO NOT** fully tighten the Bolts.

## Step 3



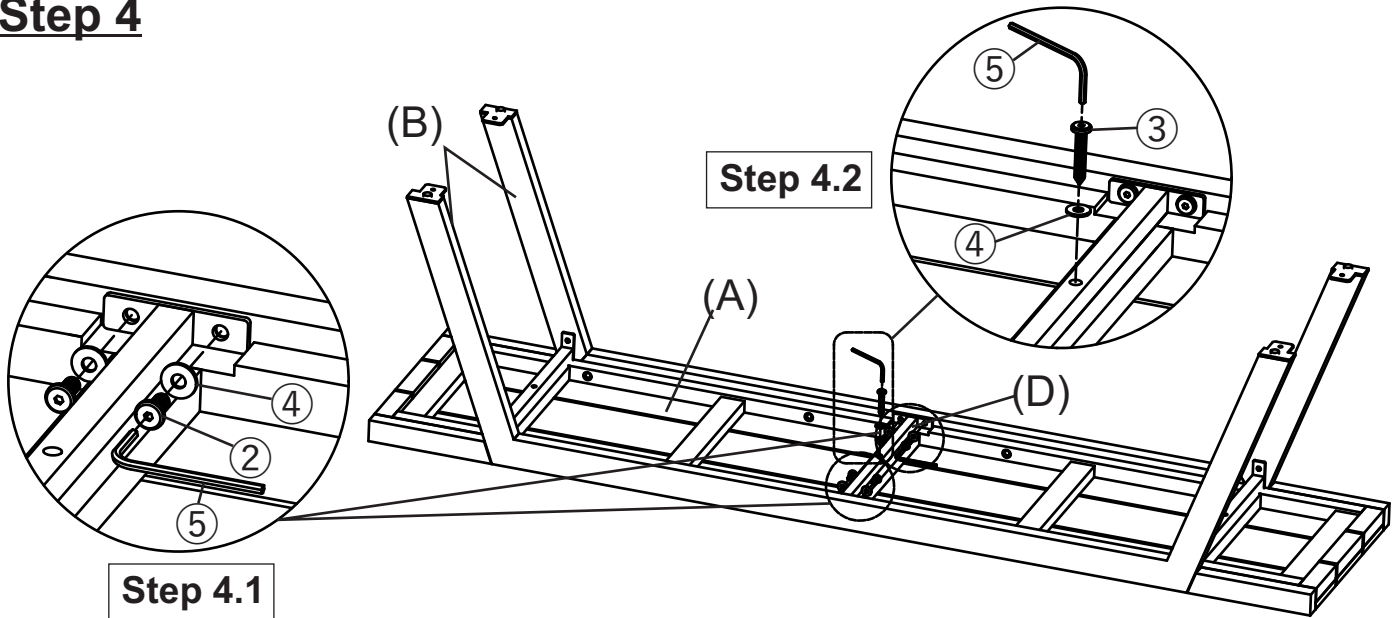
3.1 Horizontally, attach the Side Support Bar (C) to the Leg Frames (B) using Bolts (②), Washers (④) and the Allen Wrench(⑤).

3.2 Vertically, secure the Side Support Bar (C) to the Bench Top (A) using a Screw (③), Washer (④) and the Allen Wrench(⑤).

Repeat the same process with the remaining Side Support Bar (C).

**DO NOT** fully tighten the Bolts or Screws.

## Step 4

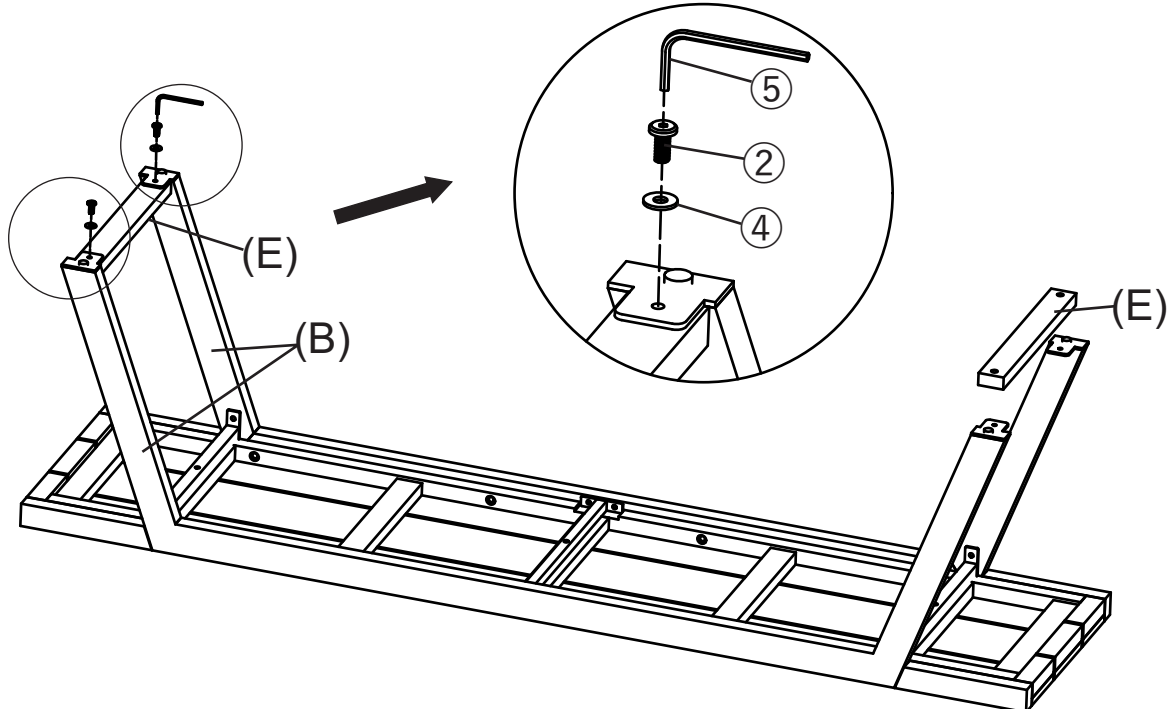


4.1 Horizontally, attach the Middle Support Bar (D) to the Leg Frames (B) using Bolts (2), Washers (4) and the Allen Wrench(5).

4.2 Vertically, secure the Middle Support Bar (D) to the Bench Top (A) using a Screw (3), Washer (4) and the Allen Wrench(5).

**DO NOT** fully tighten the Bolts or Screws.

## Step 5

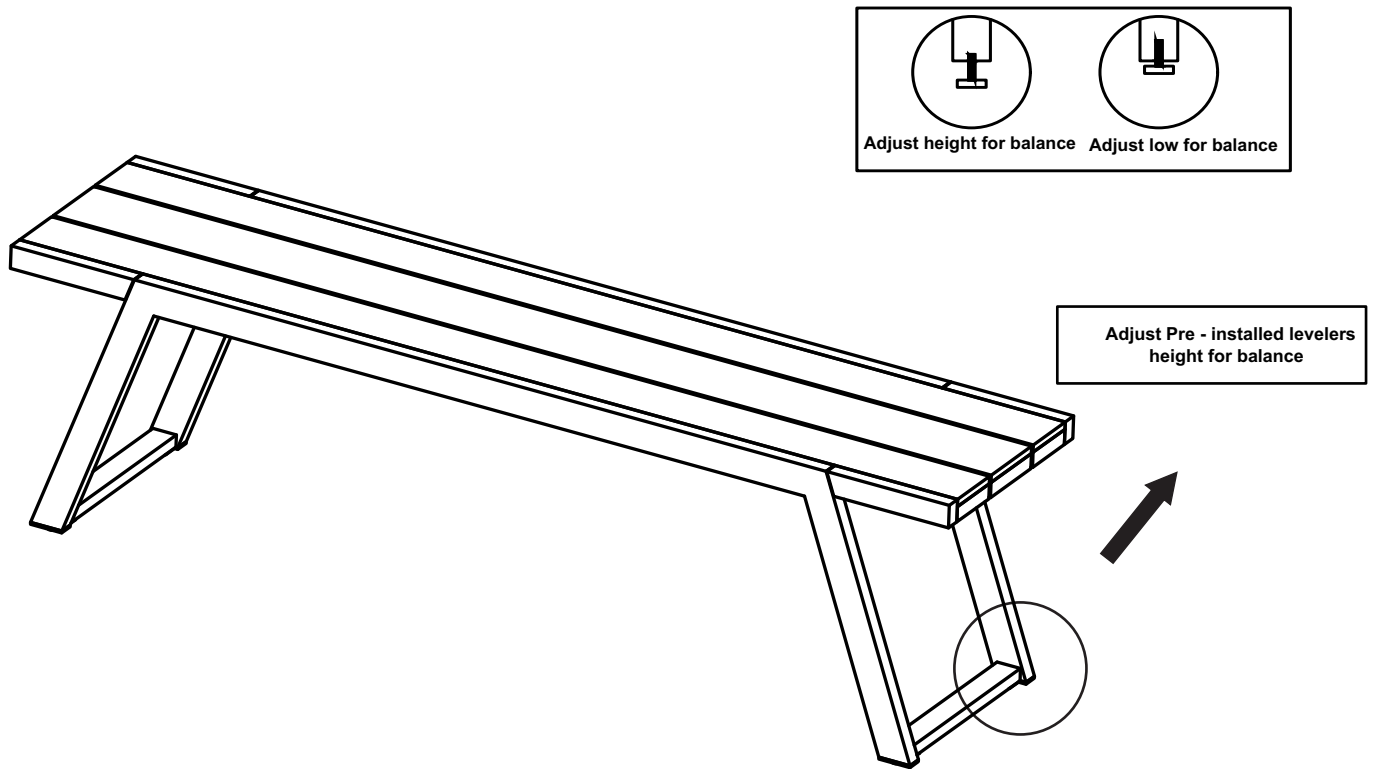


Attach the Support Leg (E) to the Leg Frames (B) using Bolts (2), Washers (4) and the Allen Wrench(5).

Repeat the same process with the remaining Support Leg (E)











**DO NOT** fully tighten the Bolts.

## Step 6



With the assistance from your adult partner, stand the Bench up. EXERT pressure floorwards onto the Bench with both hands. This pressure will help the Bench reach full alignment at all joints. In a sequential manner, gradually tighten all Bolts and Screws at all joints until evenly secured. Inspect the Bench and make sure all parts are adequately connected. Adjust the Levelers to the desired height to avoid wobbles. Your Bench is ready for use. This Bench can only be used on a flat, level surface.

## Care & Maintenance:

- ⊘  • Prolonged exposure to rain may cause rusting which can stain floors.
- ⊘  • DO NOT put hot items directly on furniture surface.
- ⊘  • DO NOT clean furniture with harsh cleansers or polish.
- ✓  • To obtain the longest lifespan of your outdoor products, minimizing exposure to direct sunlight is recommended.
- ⊘  • Children should not climb or jump on the furniture.
- ⊘  • DO NOT write on furniture without a padded barrier to protect the surface.
- ✓  • To obtain the longest lifespan of your outdoor products, avoid extended and lengthy exposure to rain, snow, and direct sunshine. Whenever possible cover the product and / or place under patio or awnings.
- ⊘  • Not for commercial use. For residential use only.
- ⊘  • Stains may be removed with mild soap solution and damp cloth.
- ✓  • Dust and pick-up spill using a clean, non-colored, lint-free cloth.