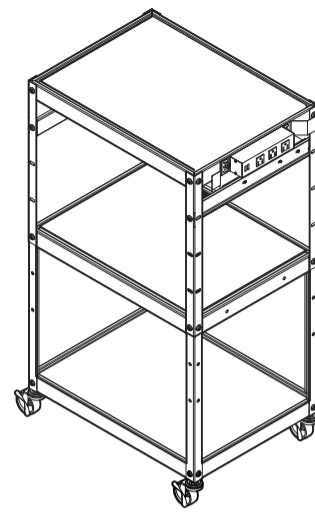


Towallmark

PULLOUT KEYBOARD SHELF INSTRUCTIONS FOR AV CART



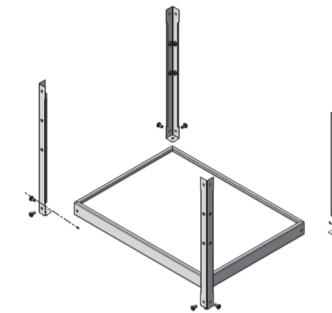
Thank you for choosing our product! We strive to provide the best quality and services for our customers. Would you kindly share your experience on Amazon if you are satisfied? Should you have any issues, please don't hesitate to contact us.

SUPPLIED PARTS

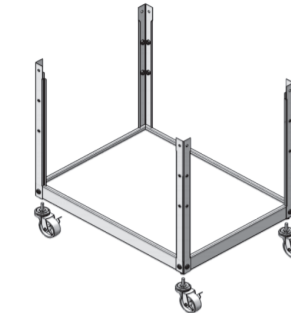
No.	Description	Qty	No.	Description	Qty
①	Lower shelf	1	⑧	Upper bracket leg	4
②	Top shelf & Bottom shelf	2	⑨	Electric outlet	1
③	Rubber ring	2	⑩	M4 tapping screw	4
④	Non-slip mat	2	⑪	M6 screw	30
⑤	Pull out shelf	1	⑫	M4 screw	6
⑥	Swivel casters	4	⑬	M4 nut	6
⑦	Lower bracket legs (corner frame)	4	⑭	keyboard lay bracket	2
			⑮	Ball bearing slide	2

INSTALLATION STEPS

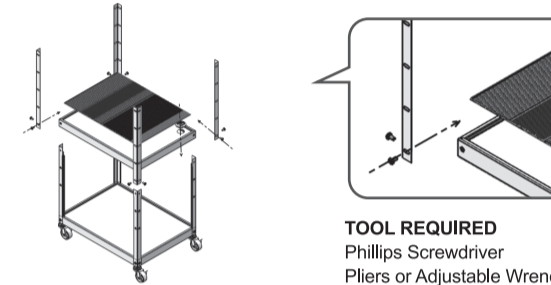
1 Collect parts ① ⑦ ⑮, Put the top shelf of part ① on flat surface, fix the bracket leg and Top shelf with M6 bolts



2 Collect parts ⑥, Insert caster into the universal caster holes on the top shelf.

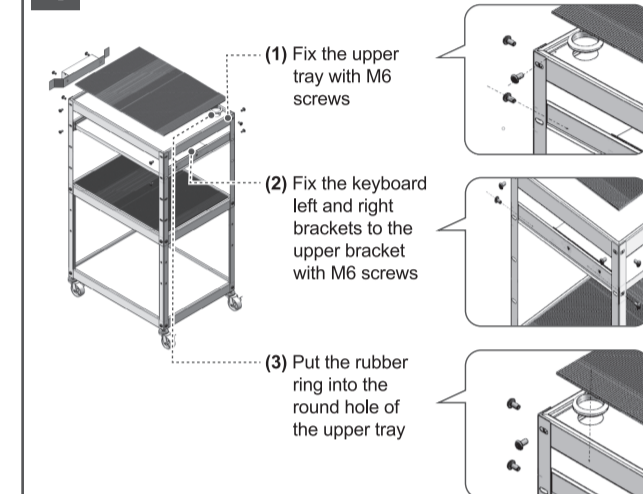


3 Collect parts ② ③ ④ ⑧ ⑩, fix the bracket leg and bottom shelf with M6 screws, fix the bracket leg and bottom shelf with M6 screws, take the rubber ring into hole of bottom shelf, then put the non-slip mat on the shelf.



TOOL REQUIRED
Phillips Screwdriver
Pliers or Adjustable Wrench

4 Collect parts: ② ③ ④ ⑨ ⑪



(1) Fix the upper tray with M6 screws

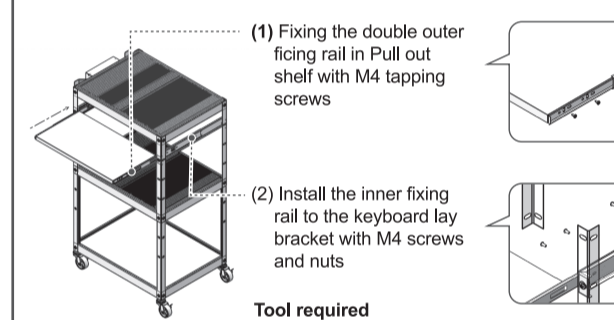
(2) Fix the keyboard left and right brackets to the upper bracket with M6 screws

(3) Put the rubber ring into the round hole of the upper tray

(4) Use M6 screws to fix the electric outlet on the top shelf

(5) Put the non-slip mat

5 Collect parts: ⑩ ⑪ ⑫, pullout keyboard shelf assembly is now complete.

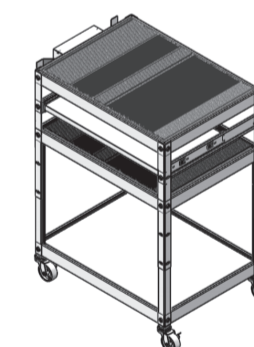


(1) Fixing the double outer fixing rail in Pull out shelf with M4 tapping screws

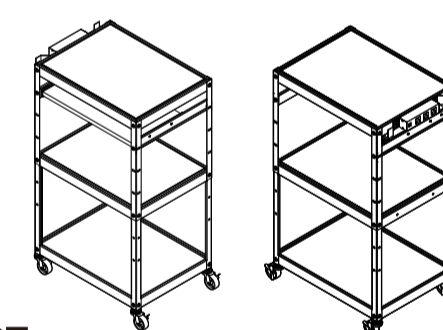
(2) Install the inner fixing rail to the keyboard lay bracket with M4 screws and nuts

Tool required
Phillips Screwdriver

6 Finished product



Towallmark



AV CART

深圳市星商电子商务有限公司

版本		日期	2021.12.14
产品名称	三层仪器推车	设计/绘图	
型号编号	Towallmark - DS01墙壁砂	审核	
材质	材质: 80g双胶纸	核准	
规格	尺寸: 210 x 285mm		
变更记录			
工艺品质	1. 双面印单黑, 文字清晰, 表面无脏点;		
备注	注: 打样确认后方可生产大货		