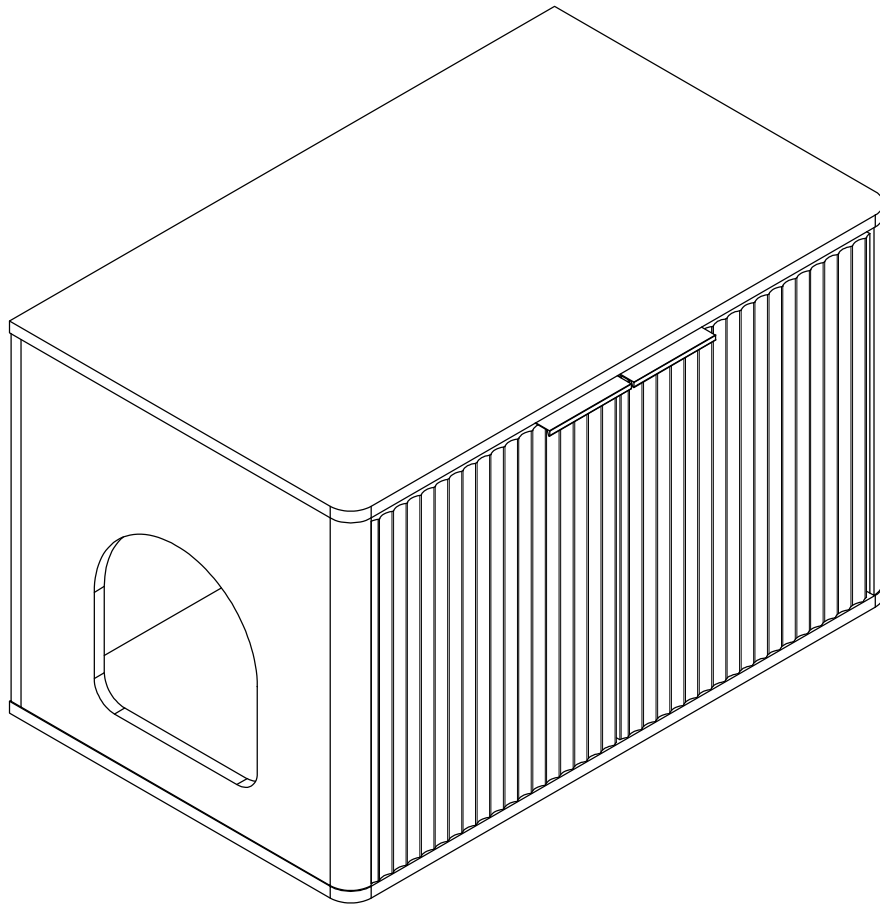
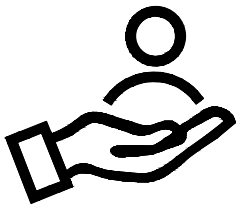


Assembly Instruction



“



Warm Reminder

If you experience any issues with our product (including missing parts, damage, or not meeting expectations), please contact us. We'll ensure satisfactory assistance within 24 hours.

”



General Guidelines

- Please read the following instructions carefully and use the product accordingly.
- Please keep this manual and hand it over when you transfer the product.
- This summary may not include every detail of all variations and considered steps. Please contact us when further information and help are needed.

Notes

- The product is intended for indoor use only. The product must be assembled and used in accordance with the provisions of the manual. Personal injury and/or damage to the product may occur if products are used outside of their intended purposes and/or if products have been changed/modified from their original design.
- The seller does not assume any responsibility or liability with respect to any injury/damage caused by incorrect assembly or improper use.
- Avoid long-term exposure to humid environments to prevent mildew.
- Keep the product away from fire sources and high temperatures. Do not expose the product to direct sunlight.
- Do not place any hot objects on the surface of the product.
- If there are any defective or missing parts after unpacking, please cease assembly immediately and contact us.
- Please assemble the item on a spacious surface and do not place the unwrapped product directly on the ground to avoid product damage.
- Please do not stand or sit on the wooden boards.
- Please wear gloves during the assembly and/or disassembly process to avoid scratches from any sharp edges.
- Please match the corresponding part and fitting based on the part number in the manual.
- If the part does not match with the fitting, please check the piece as specified in this manual.
- During assembly, first loosely align all screws with the corresponding pre-drilled holes and then tighten the screws one by one.
- Periodically inspect screw tightness while the product is in use. If necessary, retighten to ensure structural integrity.
- If you accidentally spill water or another liquid on the surface, immediately wipe clean with a dry towel.
- Please keep the product away from sharp, pointed objects and corrosive substances to prevent product damage.
- Please place this item on level, solid ground during use.

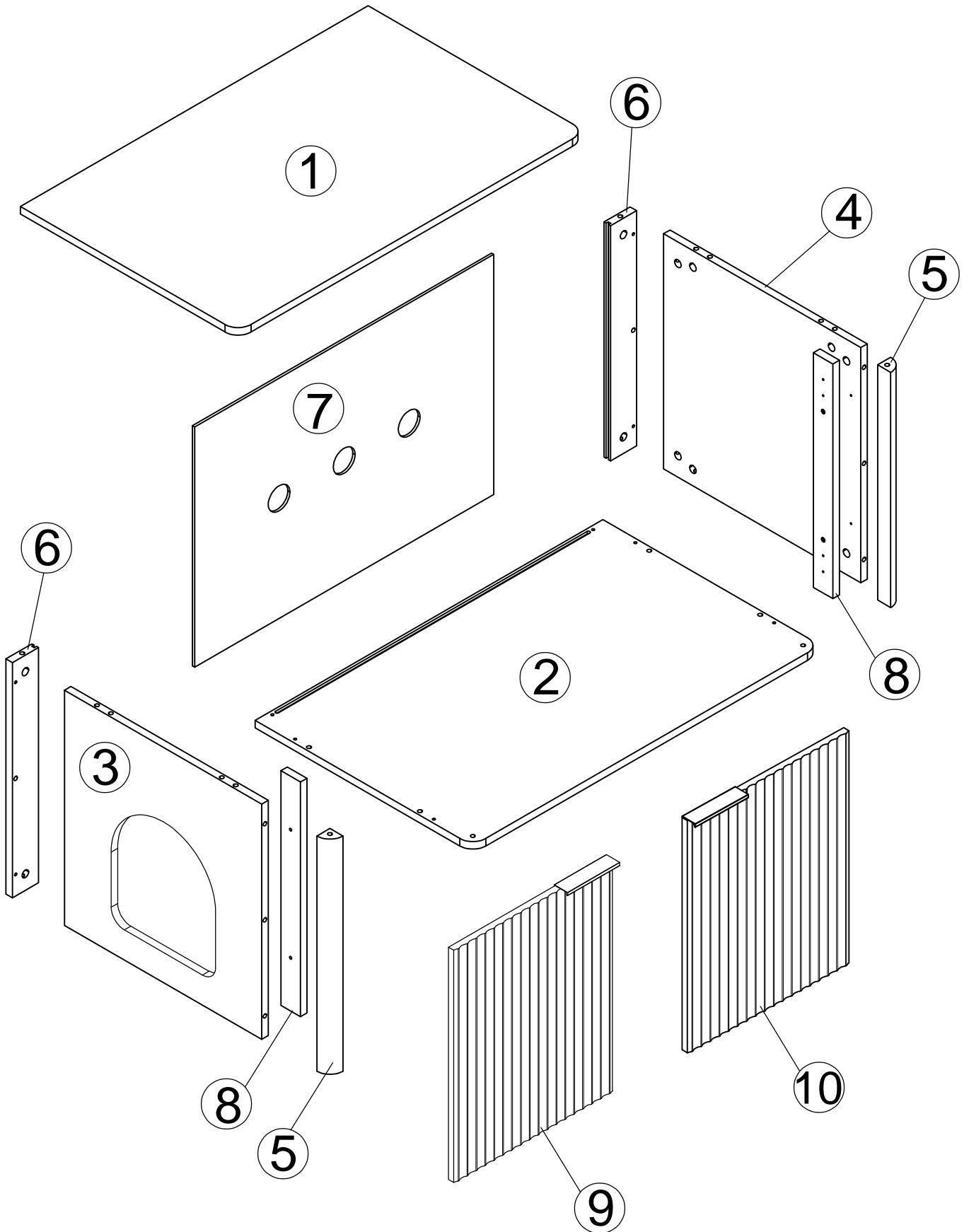
Warnings

- During assembly, keep all small parts out of the reach of children. It may be fatal if swallowed or inhaled.
- Children should not climb or play on the product in order to avoid tipping over the furniture and causing serious injury.
- To avoid the potential dangers of suffocation, please keep all parts and packaging (film, plastic bags, foam, etc.) away from babies and children.
- Keep sharp objects and corrosive items away from the product to avoid any damage or injury.
- Do not shake or move violently during use to avoid tipping over the product.

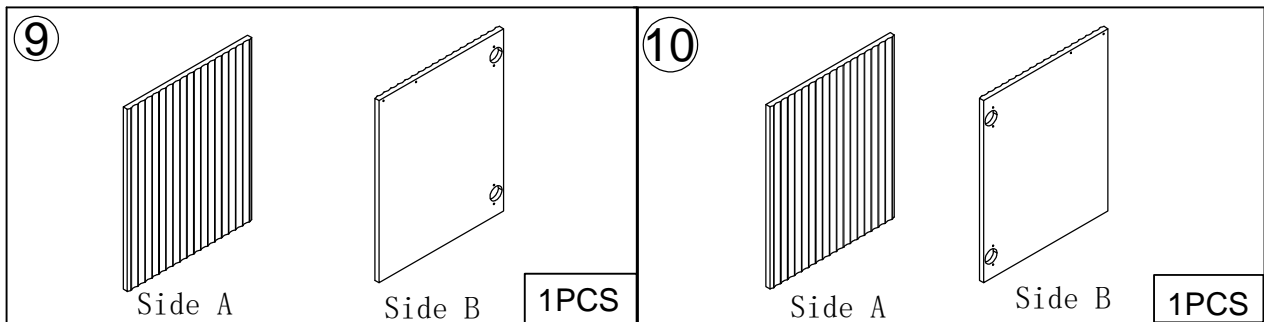
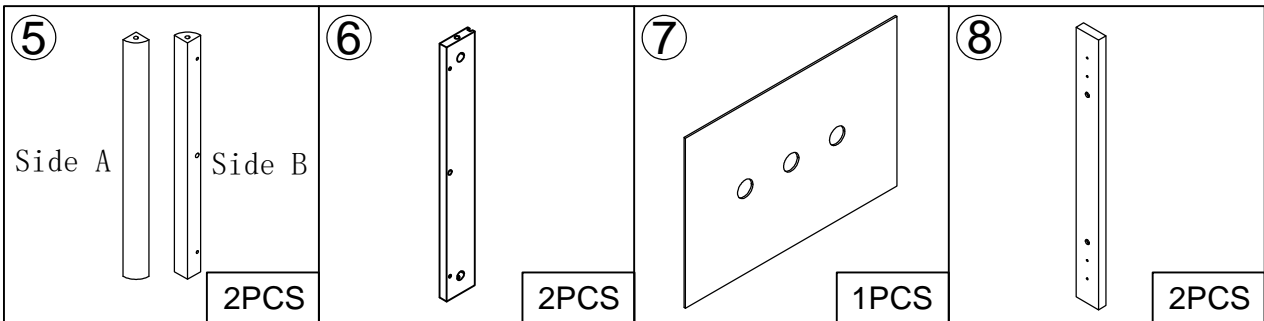
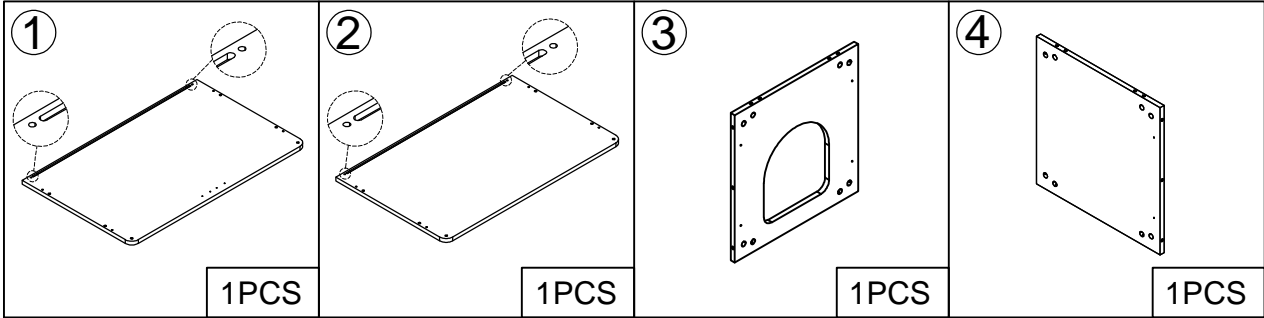
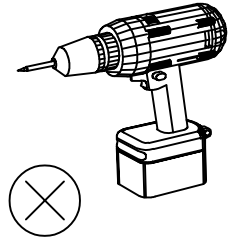
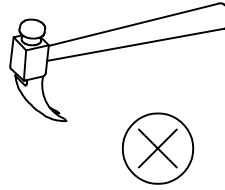
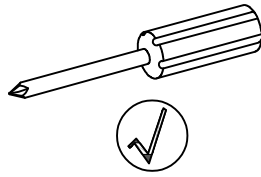
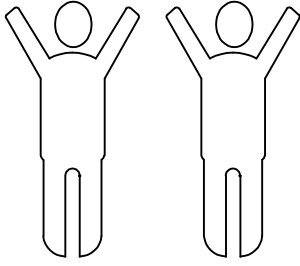
Service

- Our products come with a 12-month warranty.
- Customer's shopping experience is our top priority. We are responsible for all quality-related issues with replacement.
- If you have any questions or inquiries about our products, please do not hesitate to contact us for help.

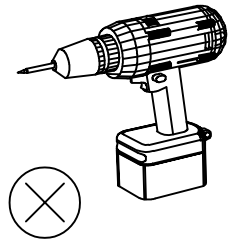
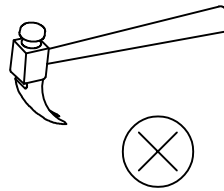
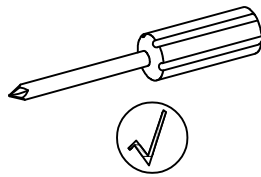
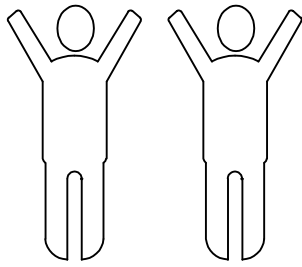
Parts List (EN)

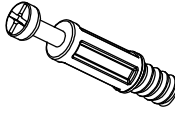


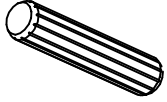
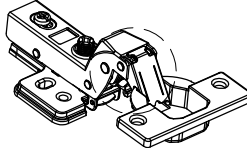
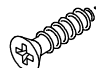
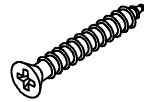
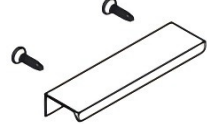

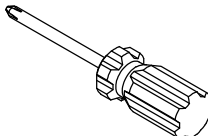
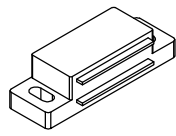
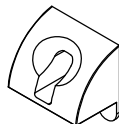


Parts List (EN)



Parts List (EN)

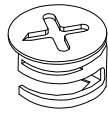


<p>No. A Quantity: 20+2 Pcs Cam Lock Ø6*40mm</p> 	<p>No. B Quantity: 20+2 Pcs Cam Ø15*9.5mm</p> 	<p>No. C Quantity: 20+2 Pcs Sticker Ø20mm</p> 	<p>No. D Quantity: 16+2 Pcs Wood Dowel Ø8*30mm</p> 
<p>No. E Quantity: 4 Pcs Hinge</p> 	<p>No. F Quantity: 34+3Pcs Screw Ø3.5*14mm</p> 	<p>No. G Quantity: 8+1 Pcs Screw Ø3.5*25mm</p> 	<p>No. H Quantity: 2 Pcs Handle</p> 
<p>No. I Quantity: 4+2 Pcs Slip Mat Ø25mm</p> 	<p>No. J Quantity: 1 Pcs Screwdriver</p> 	<p>No. K Quantity: 2 Pcs Magnetic Door Catcher</p> 	<p>No. L Quantity: 6 + 2Pcs Back Bracket 14*10mm</p> 

Instructions For Fastening CAM-BOLT and CAM-LOCK

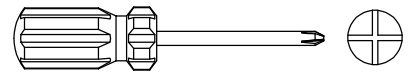


CAM-BOLT

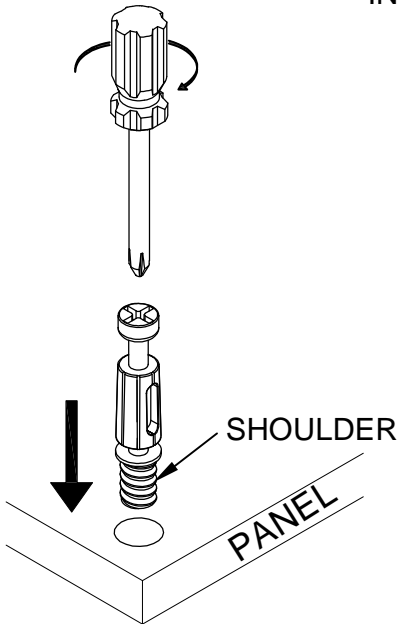


CAM-LOCK

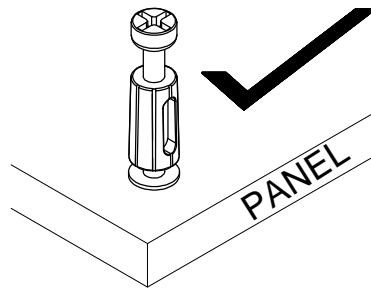
Tools Required



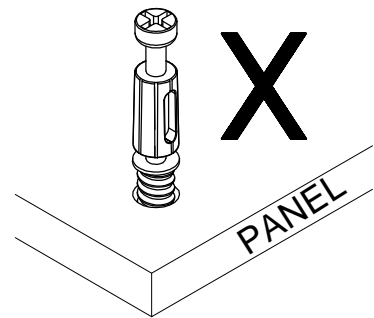
INSERTING AND TIGHTENING CAM-BOLT



Place Cam-bolt on pre-drilled hole and screw in vertically



Shoulder is flushed (on the same level) with the panel.



Shoulder is above the panel.

Using Camlocks

Step 1

Connect the male Camlock as directed in the assembly instructions using a screwdriver.

1

DO NOT OVER TIGHTEN.
NE PAS SERRER EXCESSIVEMENT.



Step 2

Push the male camlock into the entry hole.

2



Step 3

Insert the female Camlock as shown in the instruction.

Note: ensure that the arrow on the top of the camlock points towards the entry hole for the male camlock.

3



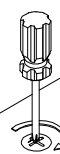
Step 4

Turn the female camlock clockwise with a screwdriver.

You should feel a click when the camlock is locked in place.

The joint is now secure.

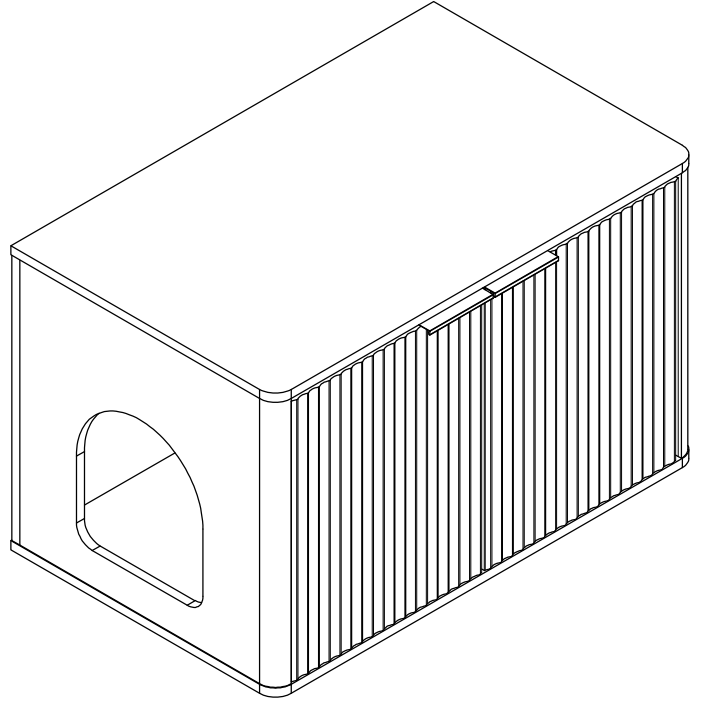
4



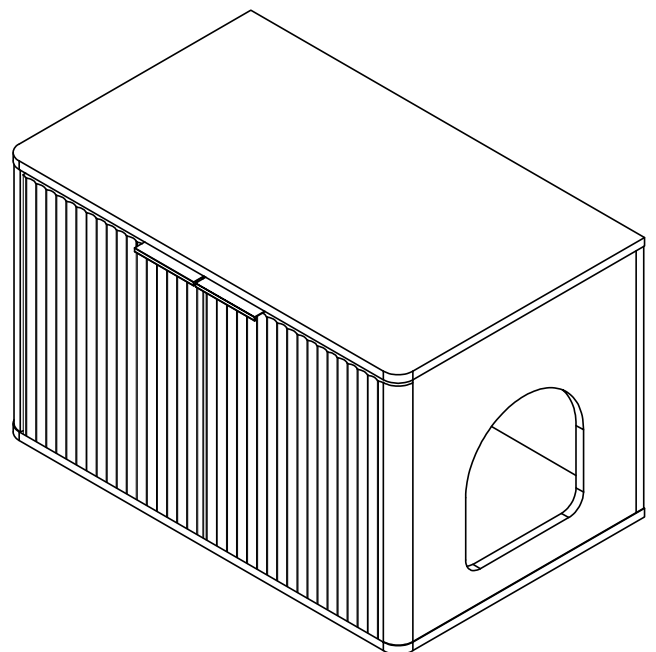


Before installation, please pay attention to the following two different installation methods

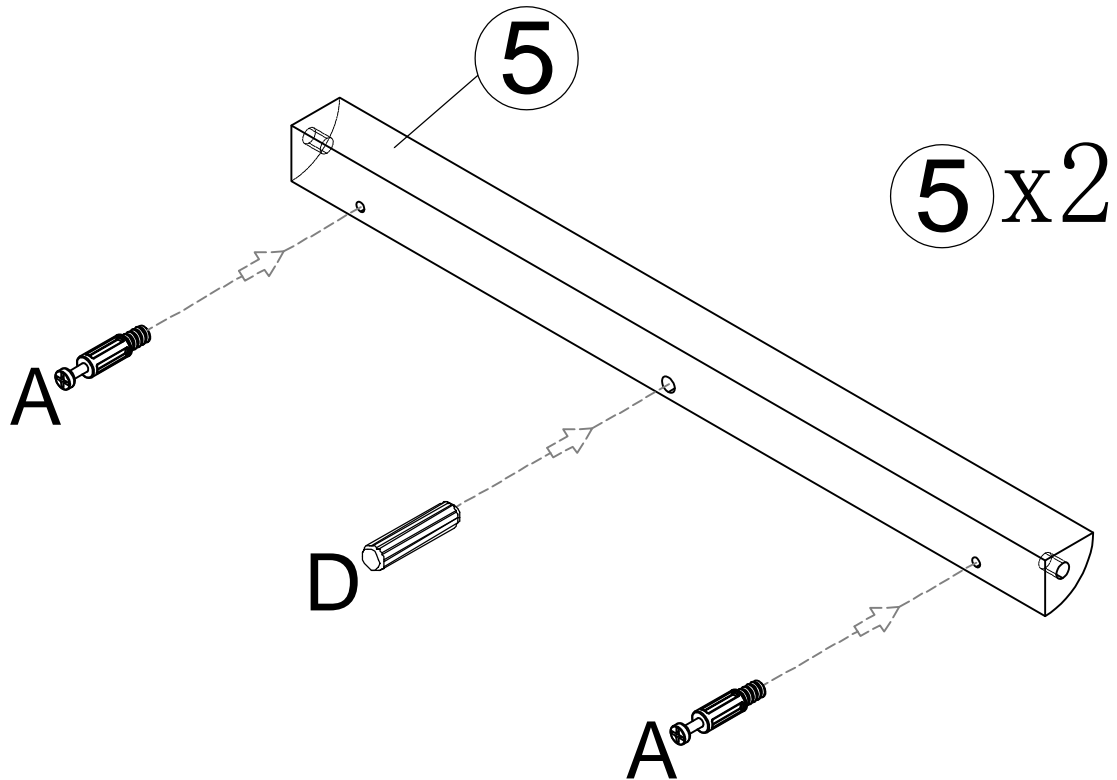
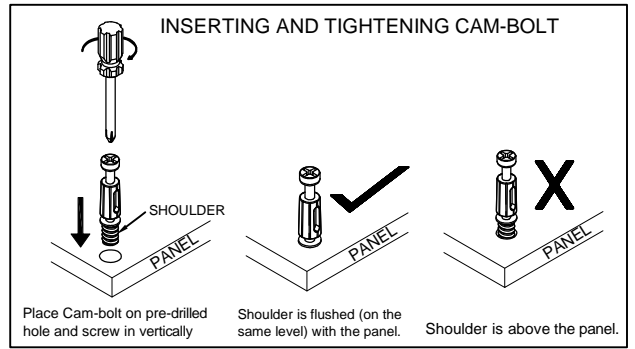
If you want to install the cat hole on the left side, please assemble according to Combination 1 (steps 2-4)





If you want to install the cat hole on the right side, please assemble according to Combination 2 (steps 5-7)



STEP 1

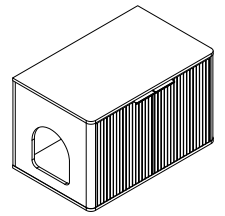


	Ax4PCS
	Dx2PCS

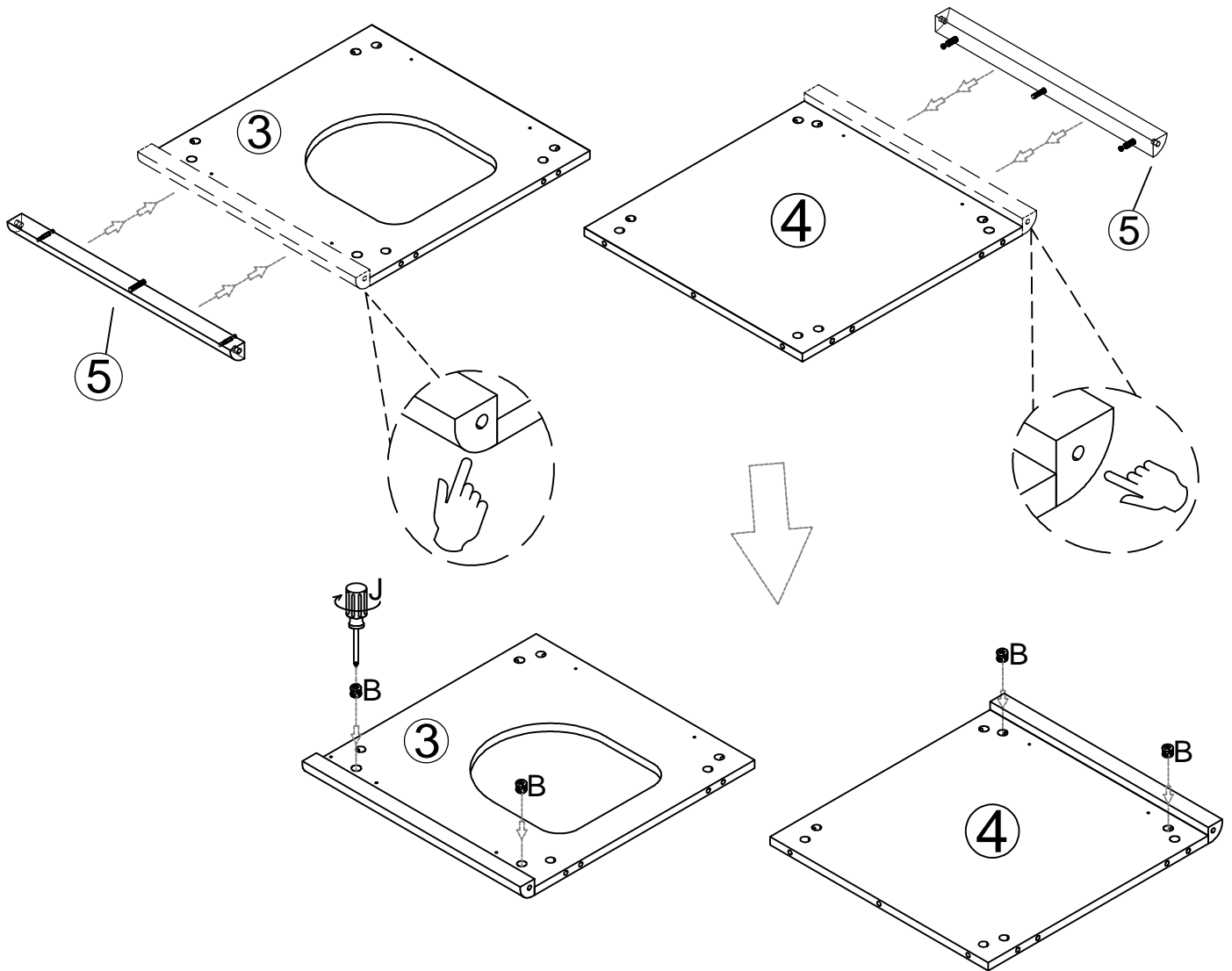
STEP 2




Combination 1 (steps 2 to 4) applies only if the cat hole is installed on the left side.

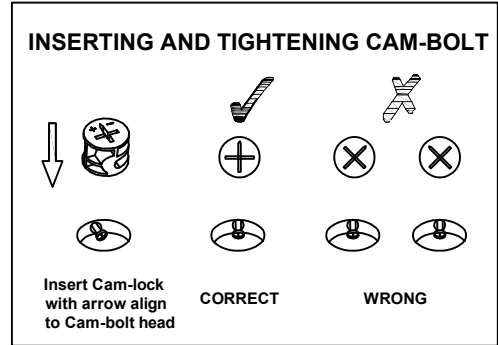


Combination 1



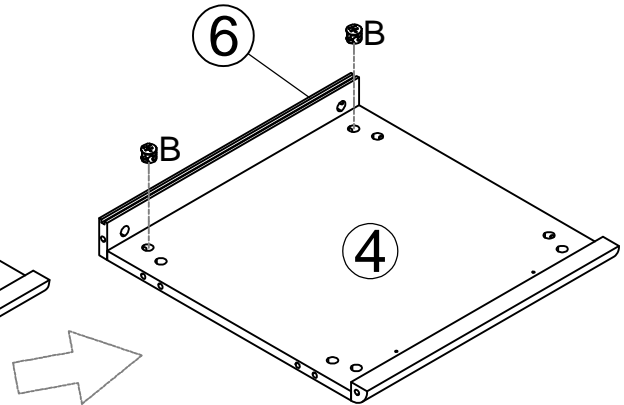
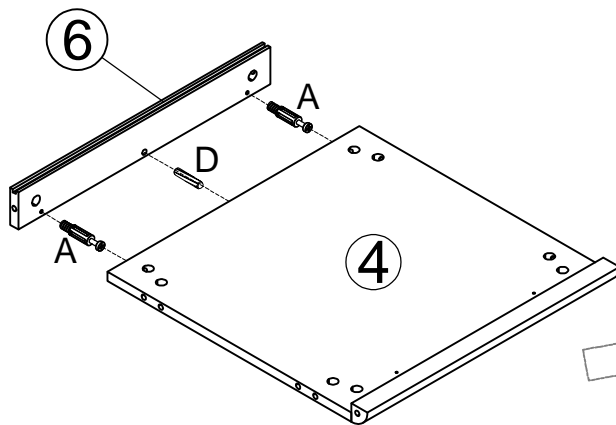
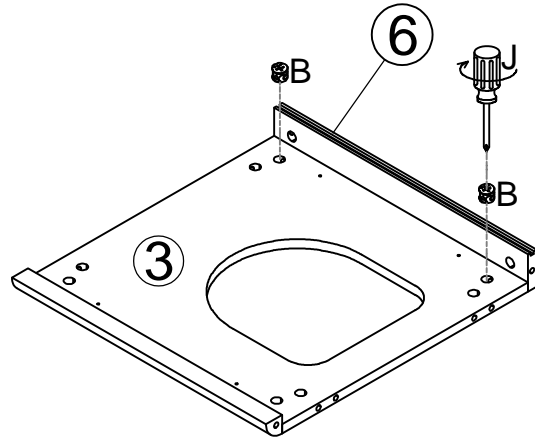
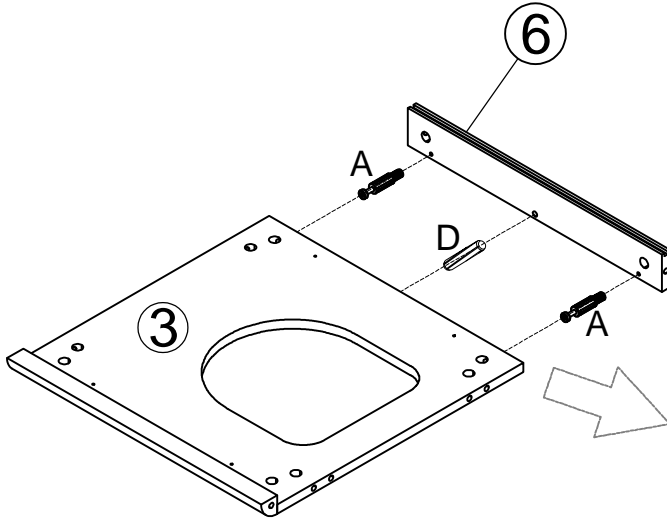
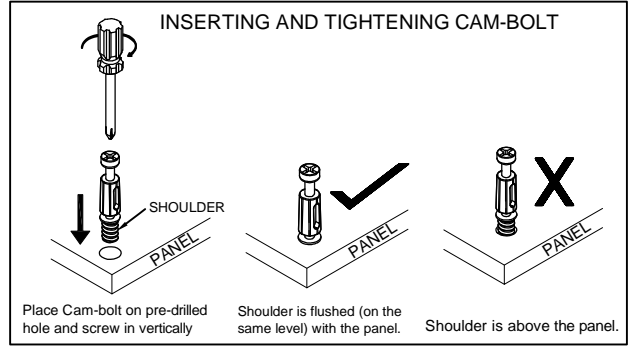
 **Align the arrow on the Cam-lock to the Cam-bolt head and insert the Cam-lock. Ensure Cam-lock is fully inserted.**

 Bx4PCS



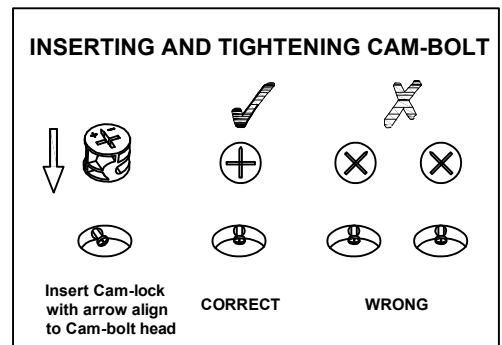
STEP 3

Combination 1

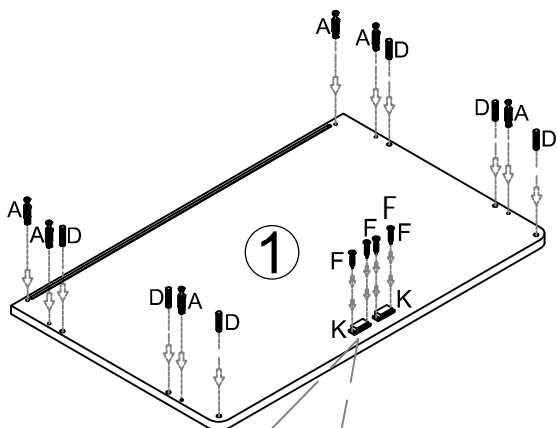


Align the arrow on the Cam-lock to the Cam-bolt head and insert the Cam-lock. Ensure Cam-lock is fully inserted.

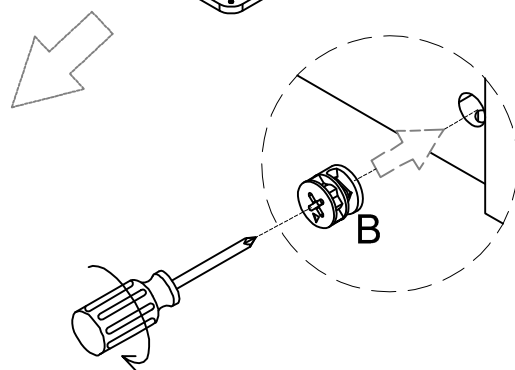
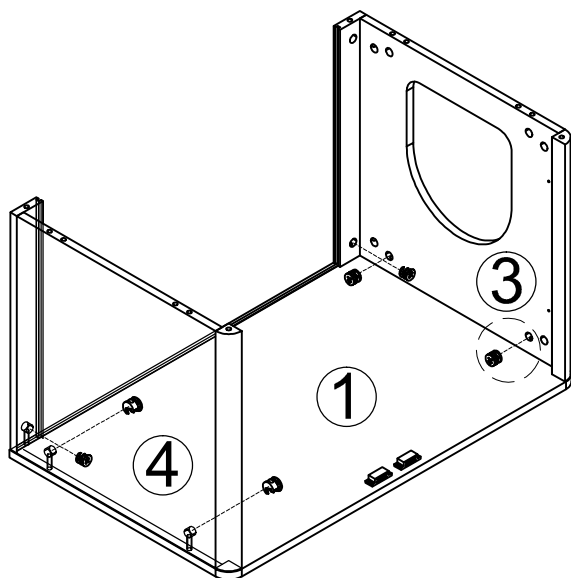
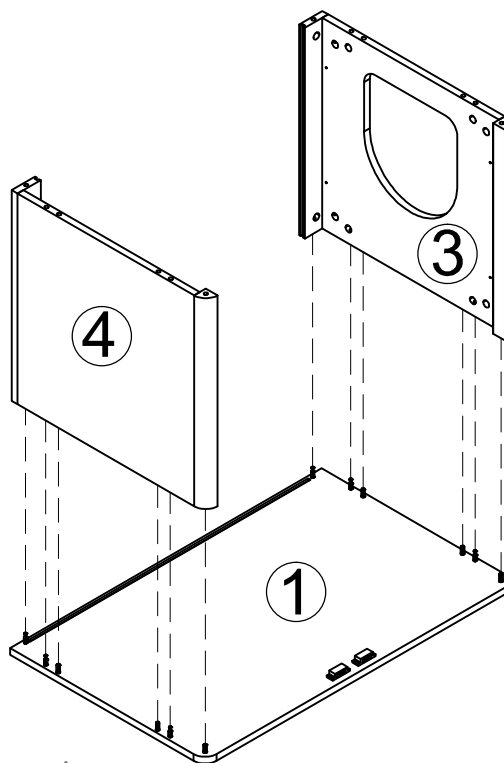
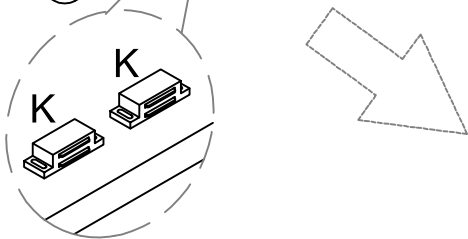
	Ax4PCS
	Bx4PCS
	Dx2PCS








STEP 4 Combination 1



Note that the side with the magnet is facing outwards when installing the hardware. Pay attention during installation, after the installation of the two hardware is completed, the front side should be kept level.



	Ax6PCS
	Bx6PCS
	Dx6PCS
	Fx4PCS
	Kx2PCS

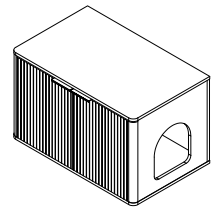


After completing the installation in step 4, please jump to step 8 to continue the installation.

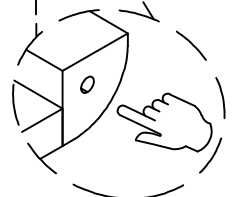
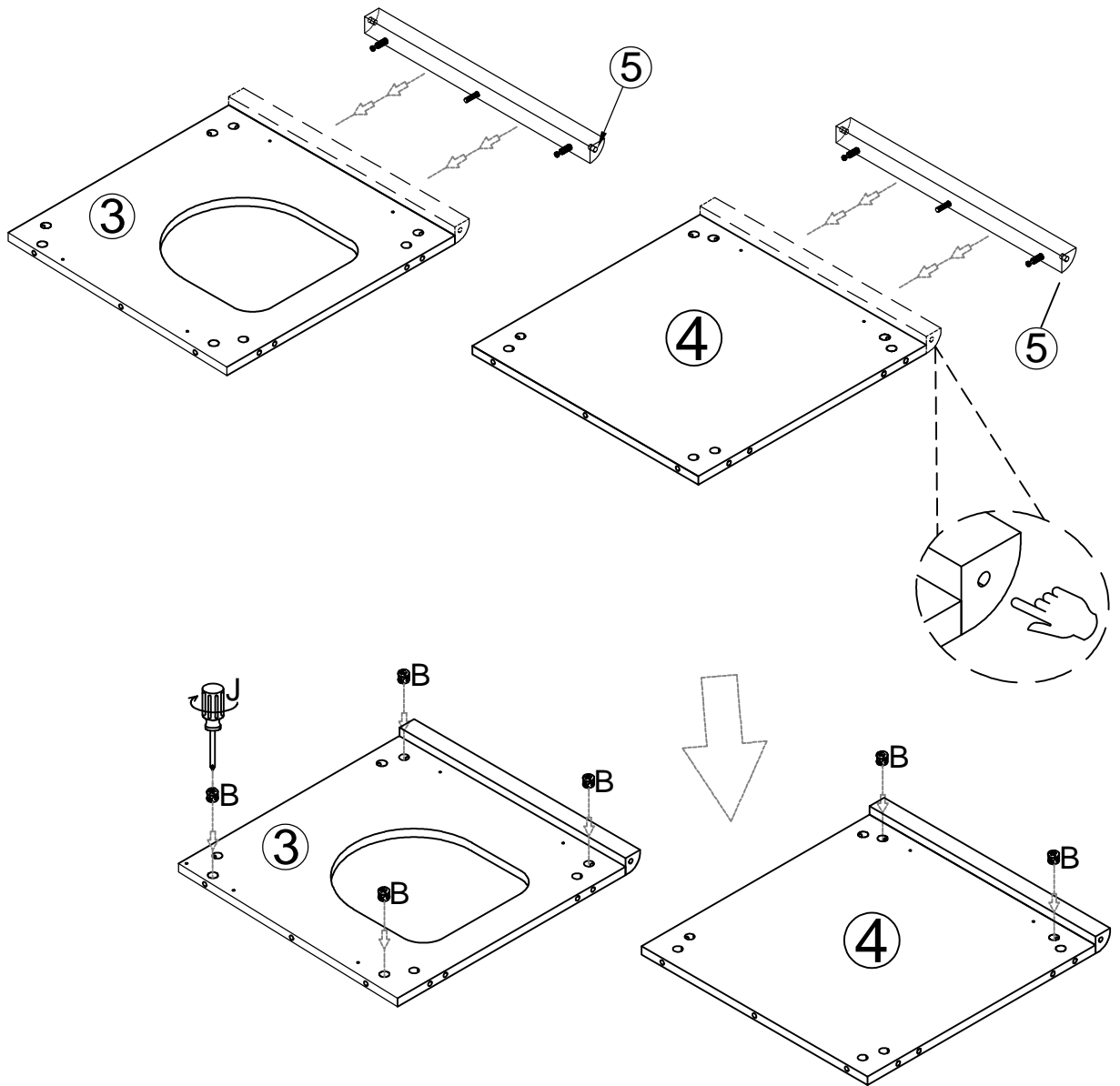
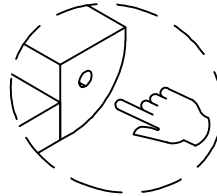
STEP 5



Combination 2 (steps 5 to 7) applies only if the cat hole is installed on the right side.

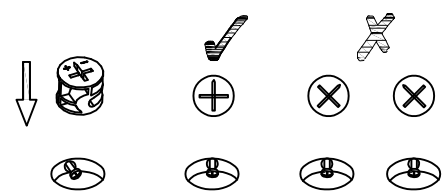


Combination 2



Align the arrow on the Cam-lock to the Cam-bolt head and insert the Cam-lock. Ensure Cam-lock is fully inserted.

INSERTING AND TIGHTENING CAM-BOLT



Insert Cam-lock with arrow align to Cam-bolt head

CORRECT

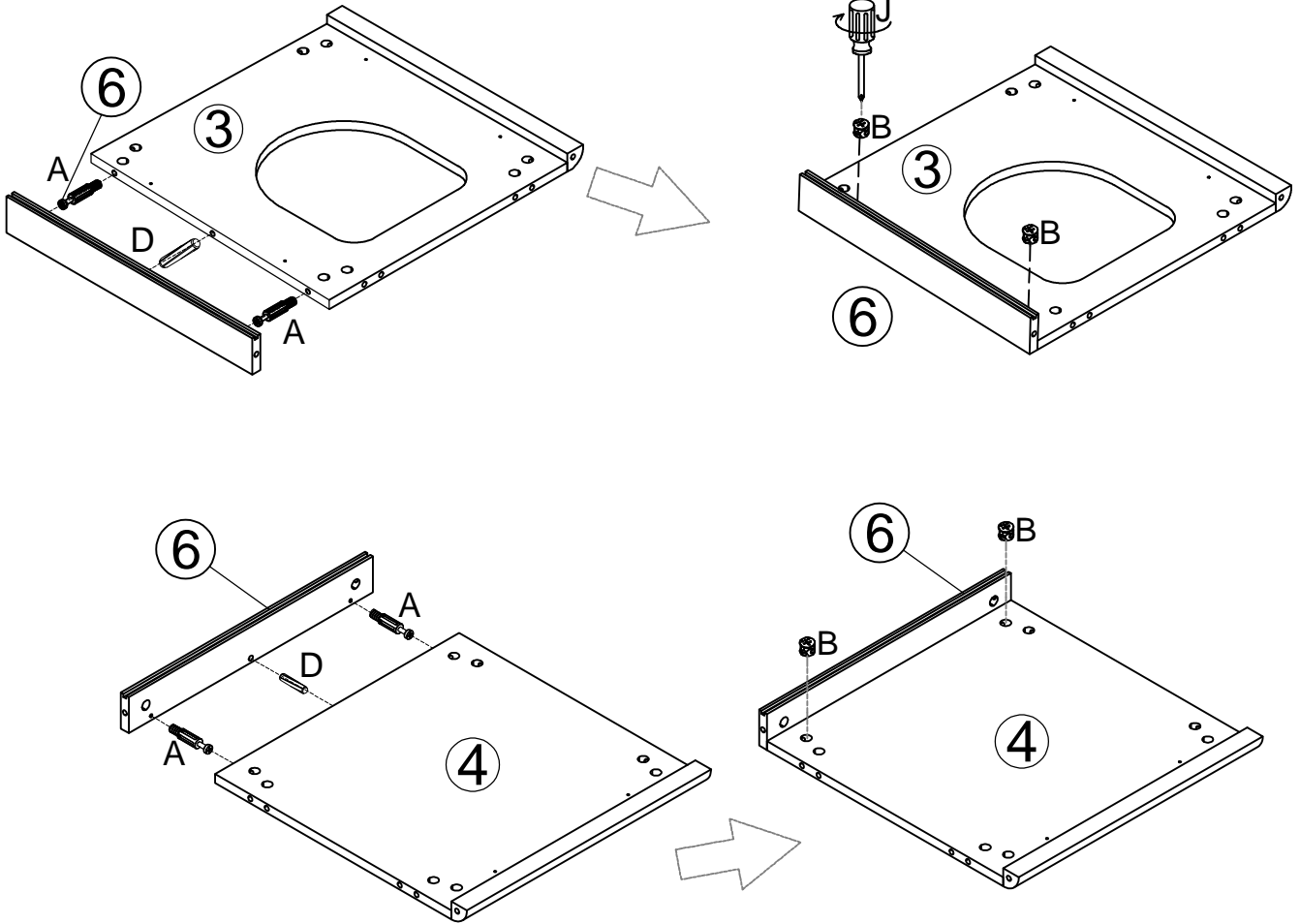
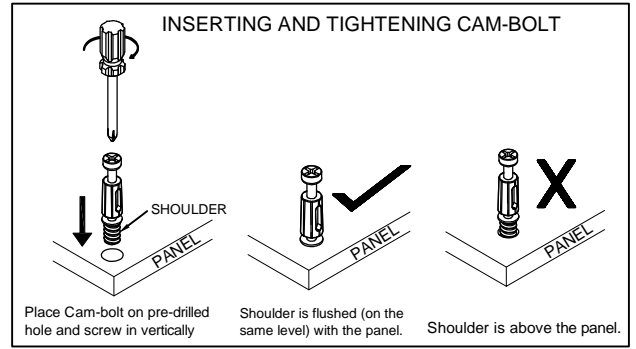
WRONG



Bx4PCS

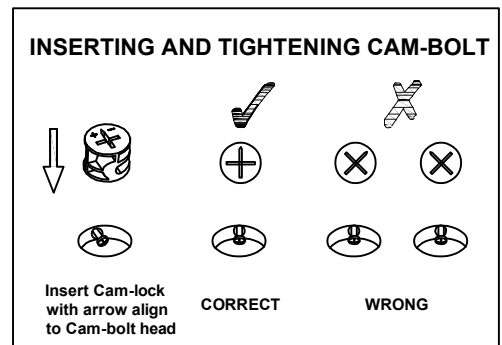
STEP 6

Combination 2

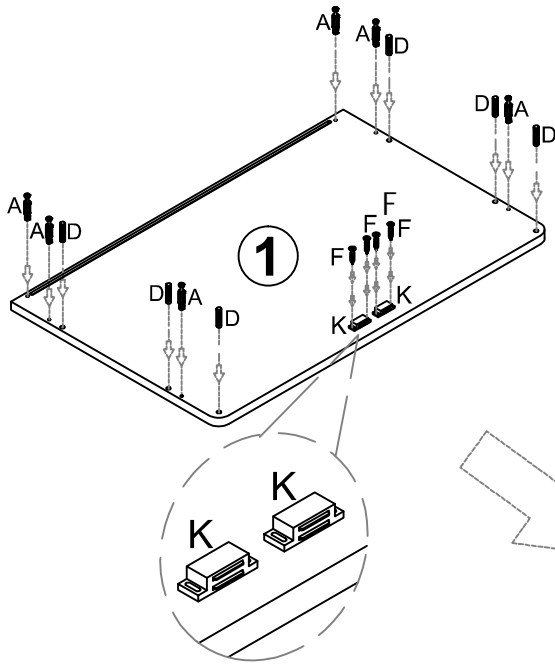


Align the arrow on the Cam-lock to the Cam-bolt head and insert the Cam-lock. Ensure Cam-lock is fully inserted.

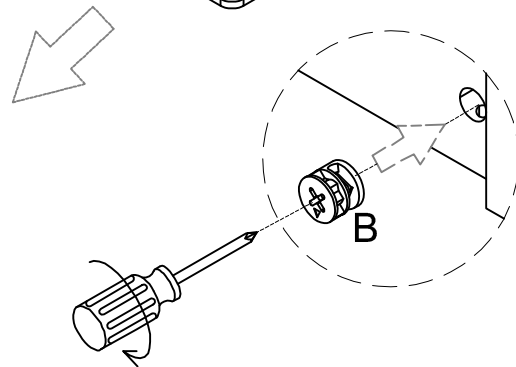
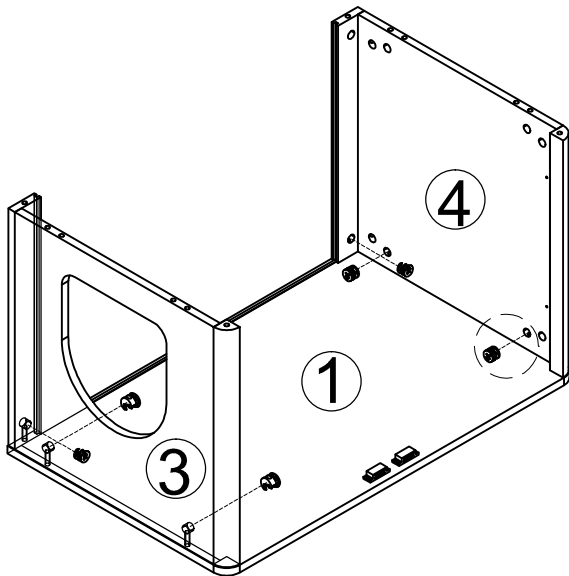
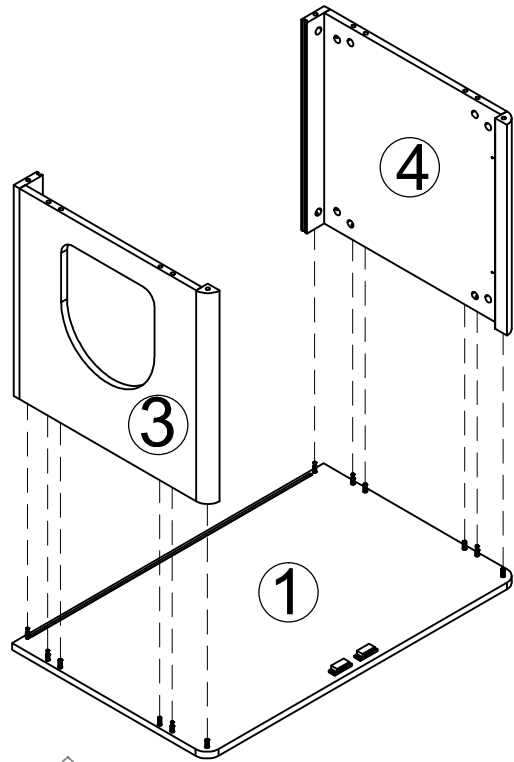
	Ax4PCS
	Bx4PCS
	Dx2PCS








STEP 7 Combination 2



Note that the side with the magnet is facing outwards when installing the hardware. Pay attention during installation, after the installation of the two hardware is completed, the front side should be kept level.

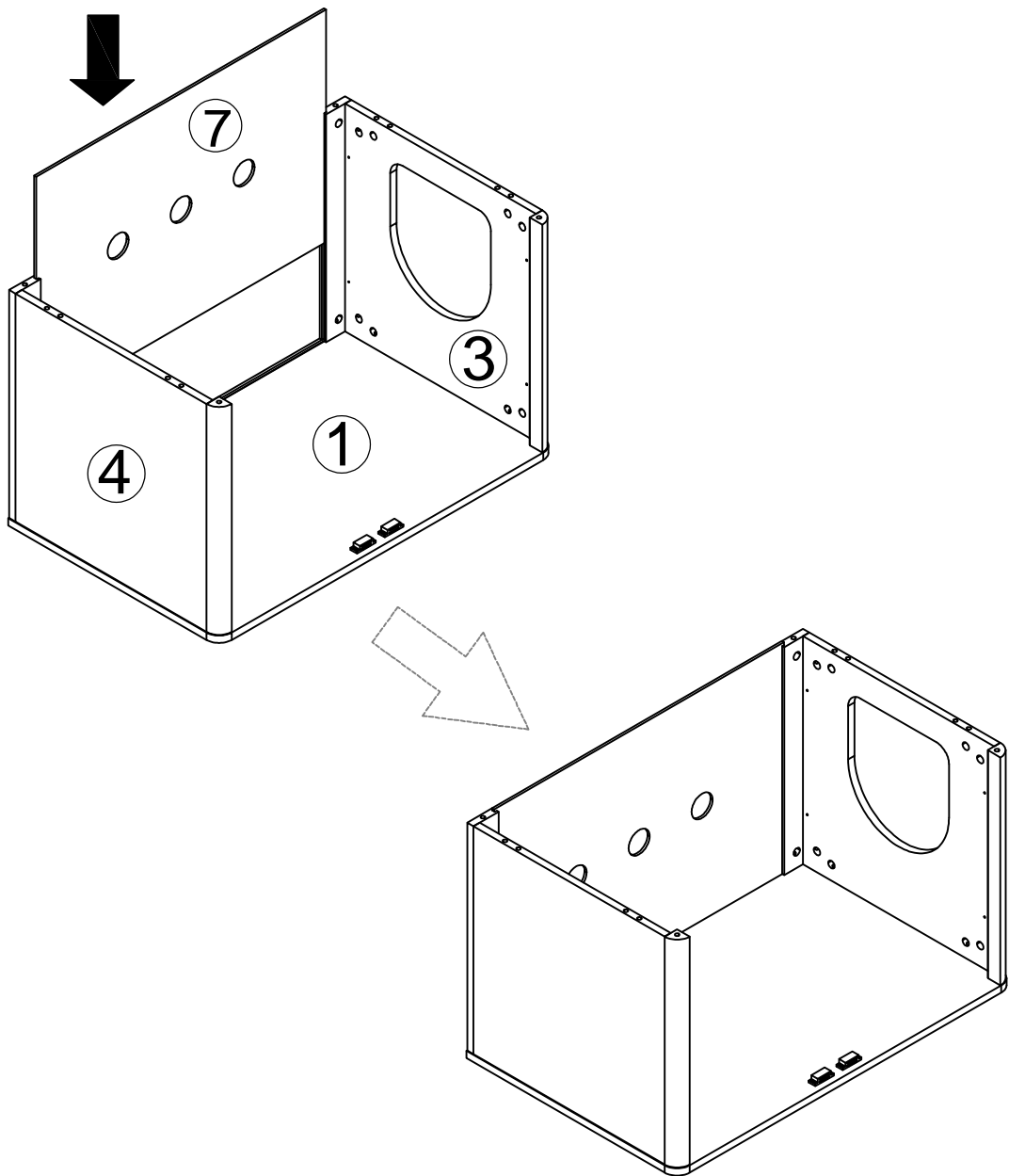


	Ax6PCS
	Bx6PCS
	Dx6PCS
	Fx4PCS
	Kx2PCS

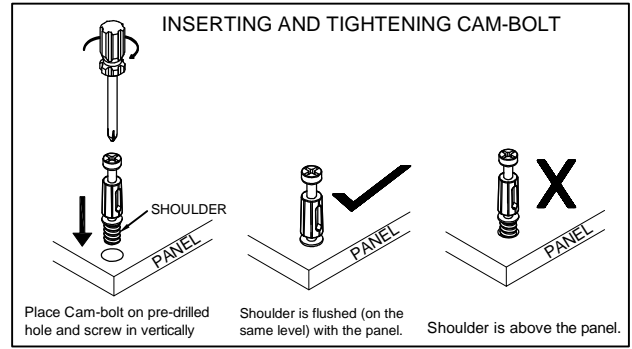
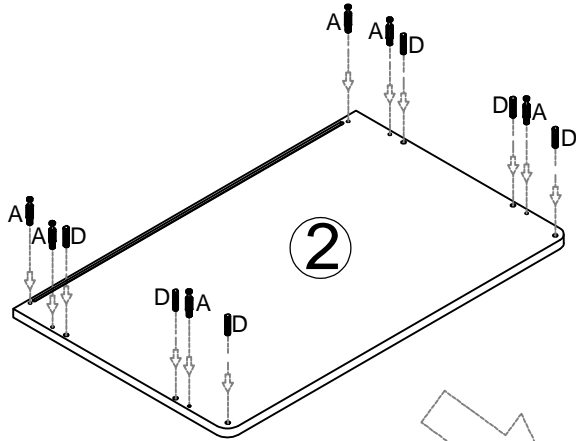
STEP 8




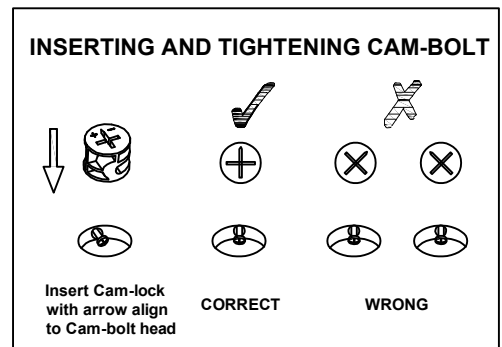
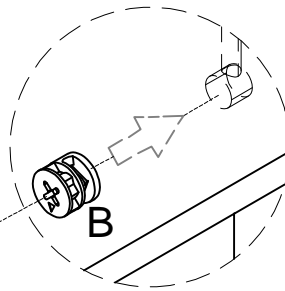
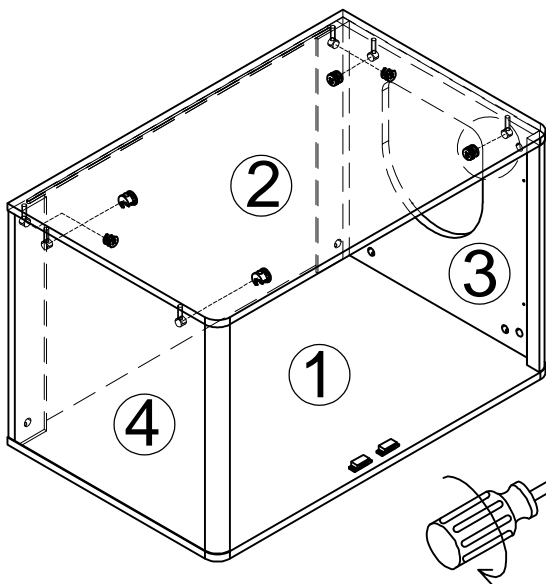
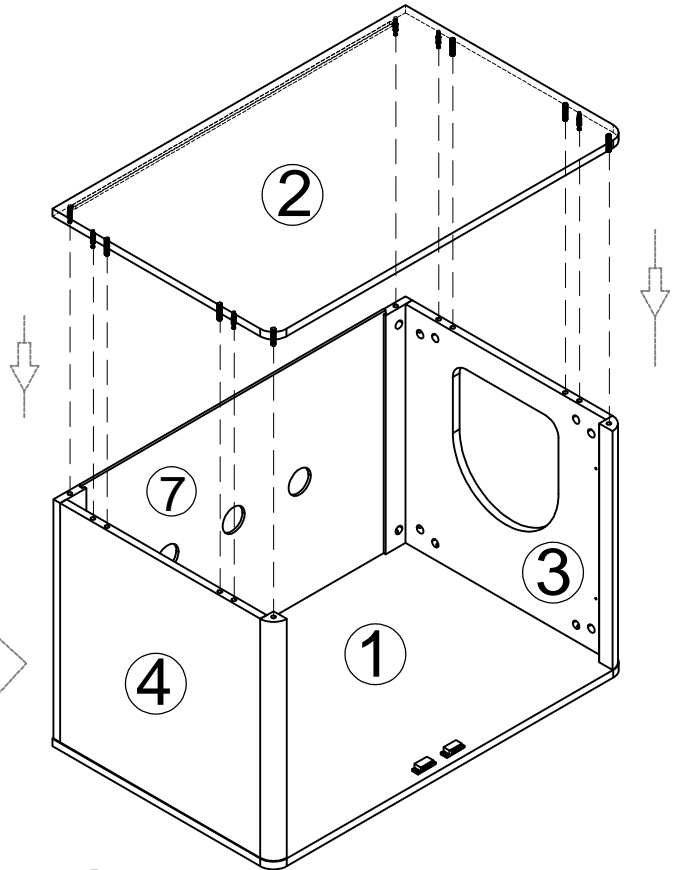
Steps 8-17 are general steps. You can install them normally without paying attention to the direction of the cat hole.



STEP 9

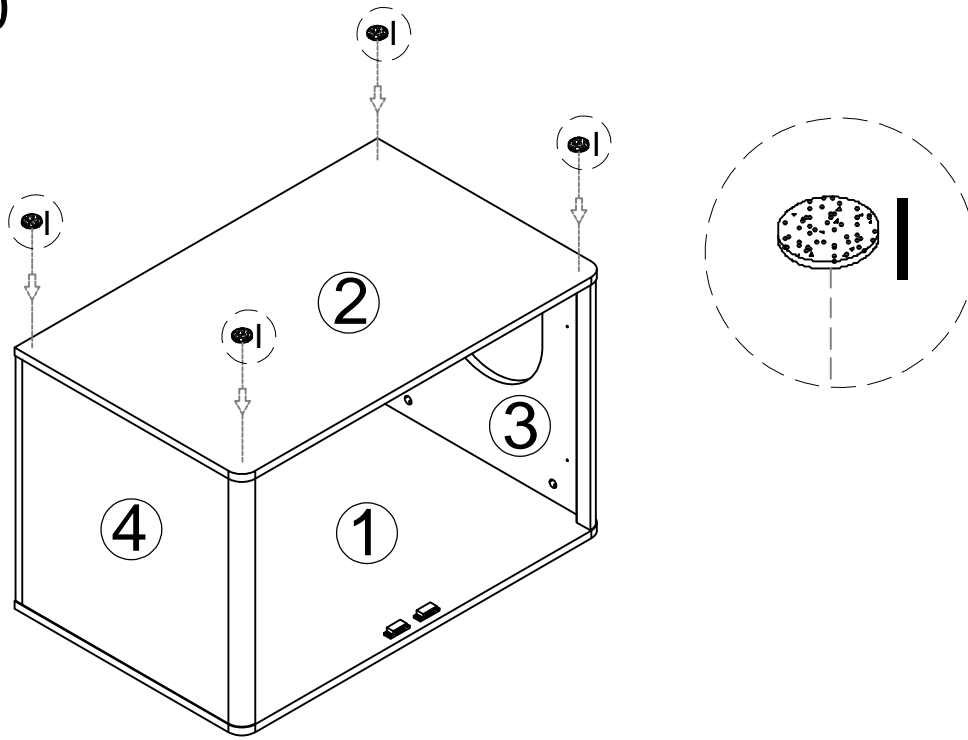


 **Align the arrow on the Cam-lock to the Cam-bolt head and insert the Cam-lock. Ensure Cam-lock is fully inserted.**

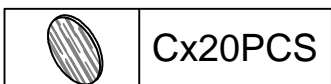
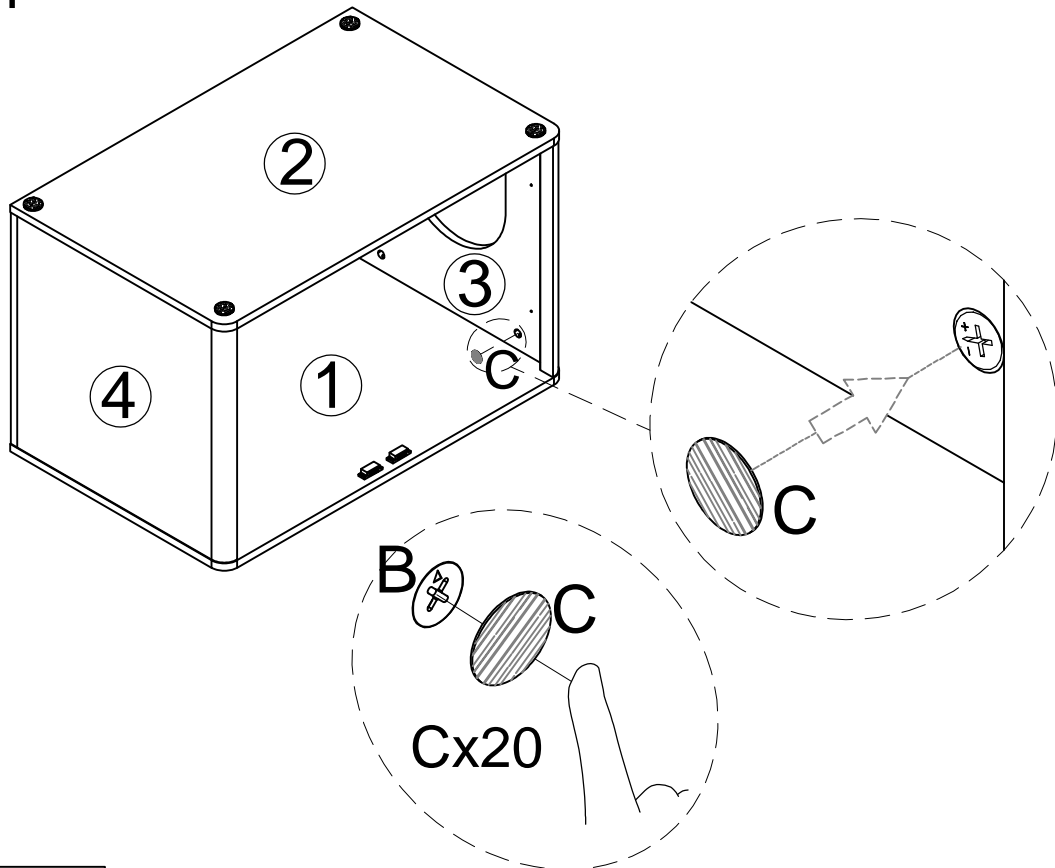


	Ax6PCS
	Bx6PCS
	Dx6PCS

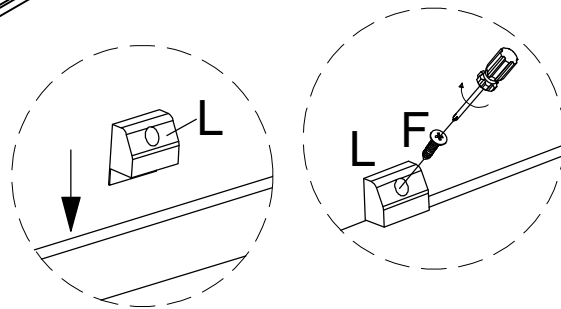
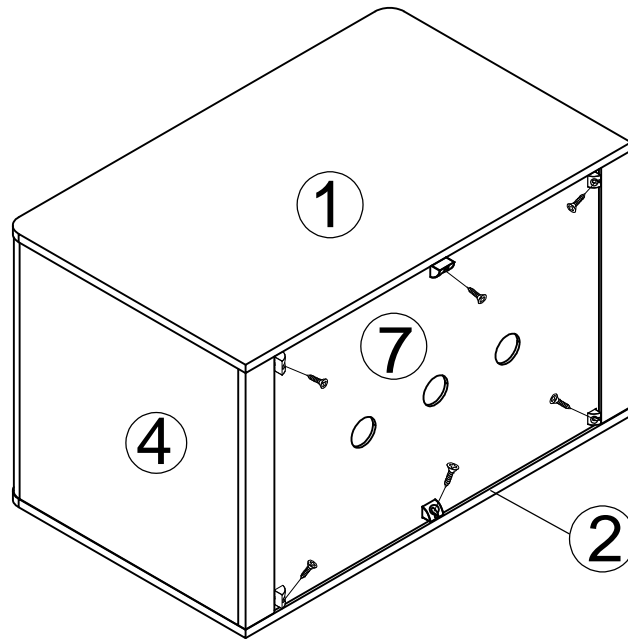
STEP 10

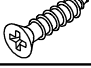



STEP 11

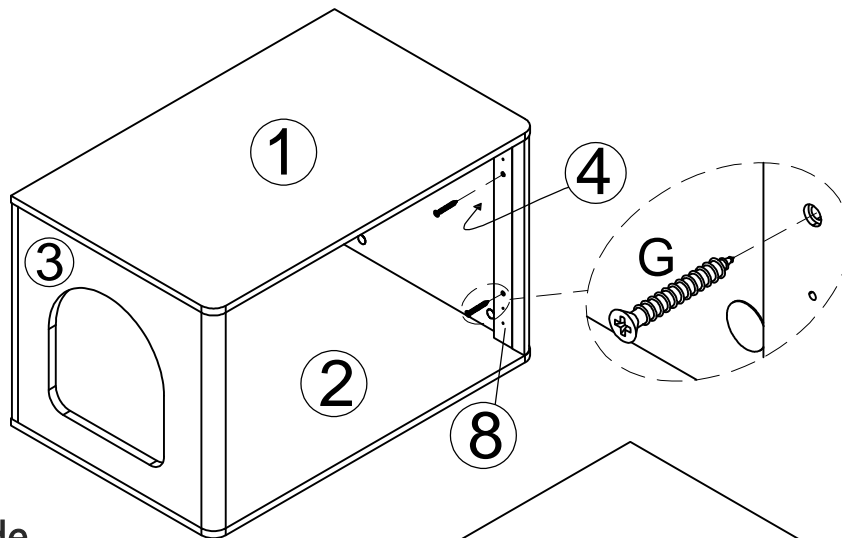


STEP 12

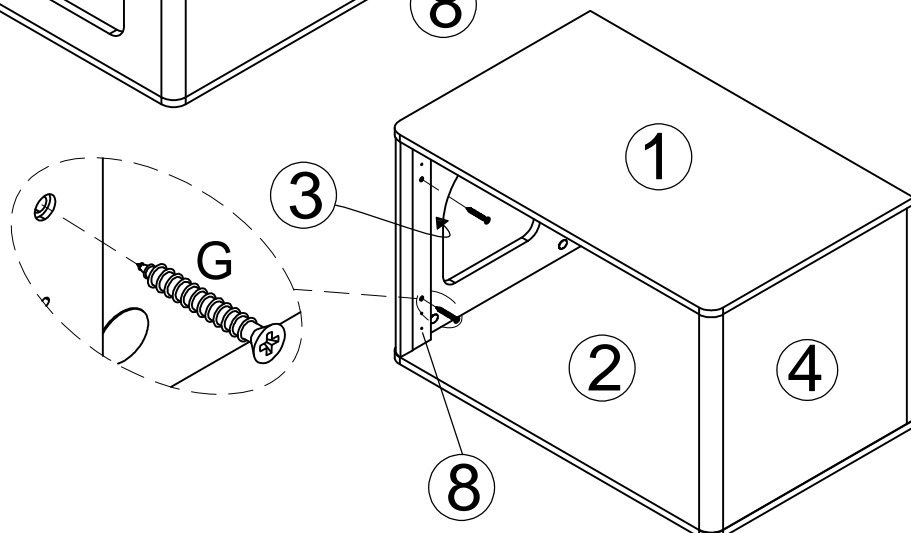


	Fx6PCS
	Lx6PCS

STEP 13



! Note: The side of Component 8 with pilot holes (the side with 6 holes) should face outward.



	Gx8PCS
---	--------

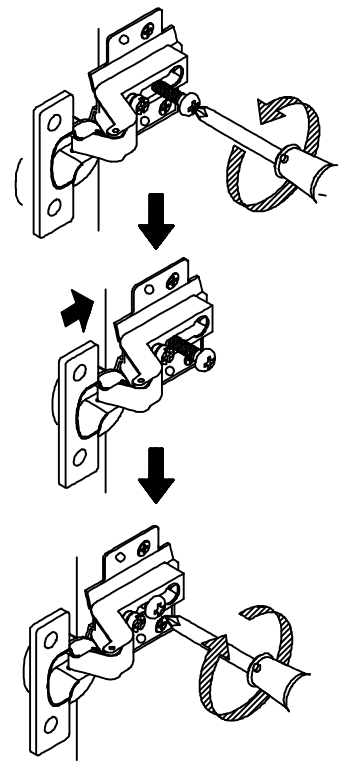
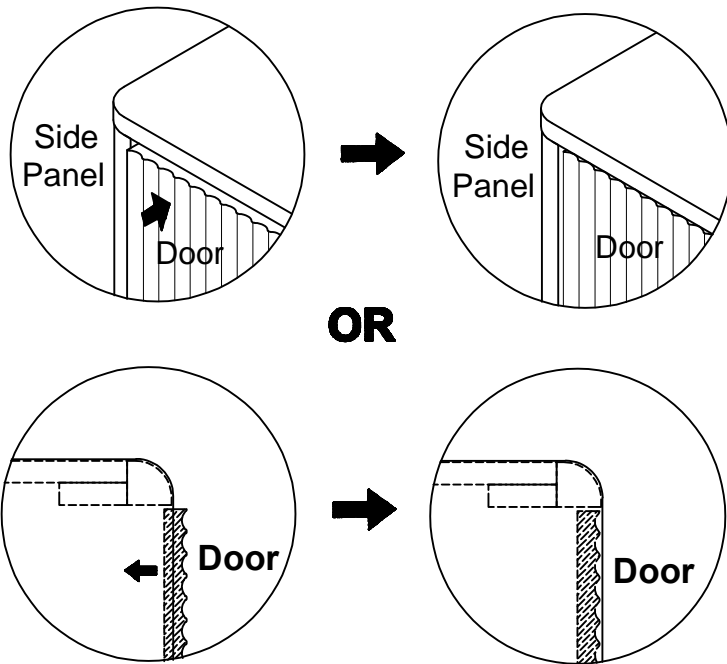


If you encounter the following situation, please follow the steps to correct it.

1. The function of the front screw is to adjust the size of the gap between the door and the side panel.
2. The function of the rear screw is to adjust the distance between the front and rear of the door.

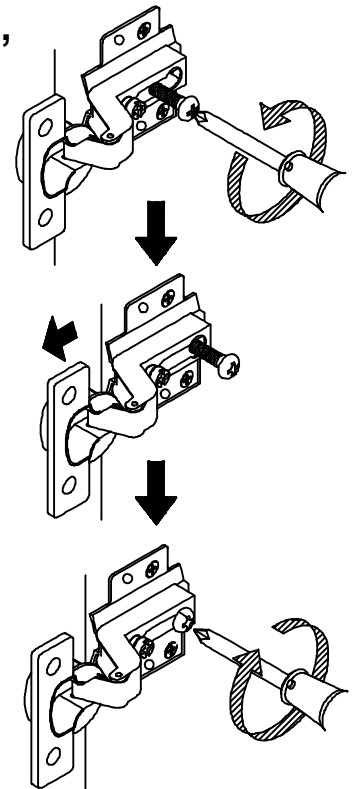
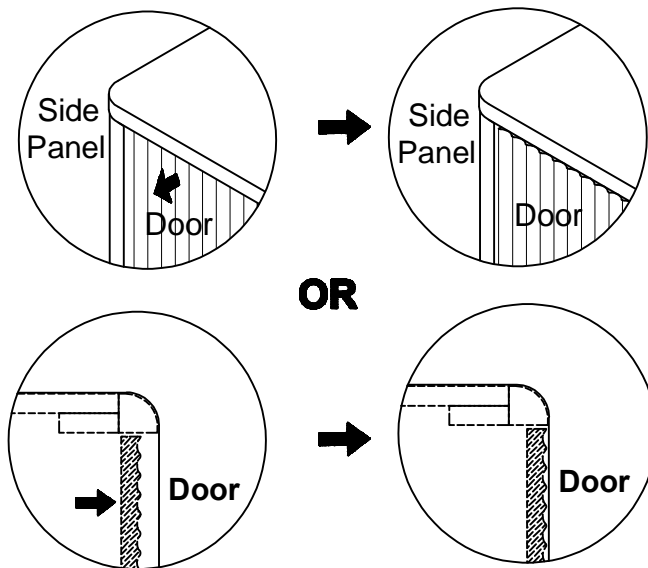
STEP 14

10-A. When the door panel is higher than the side panel.



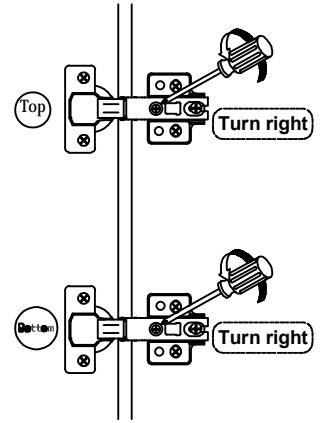
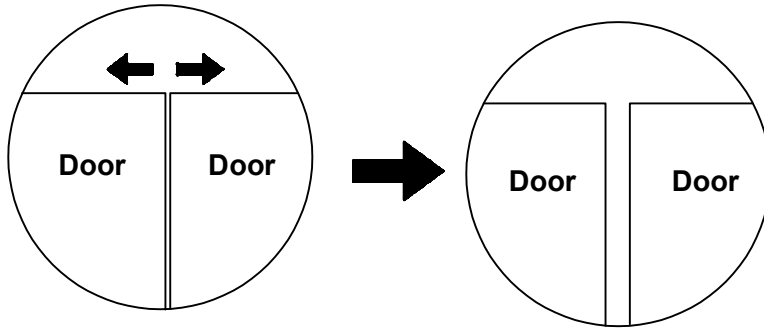
If the gap is too big between side panel and door or the door is over the edge of side panel, loosen the back screw as shown, then move in the door with hinge and tighten the back screw as shown when the gap is just well.

10-B. When the door panel is lower than the side panel, an indentation occurs.



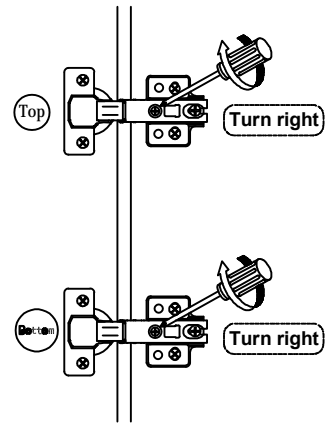
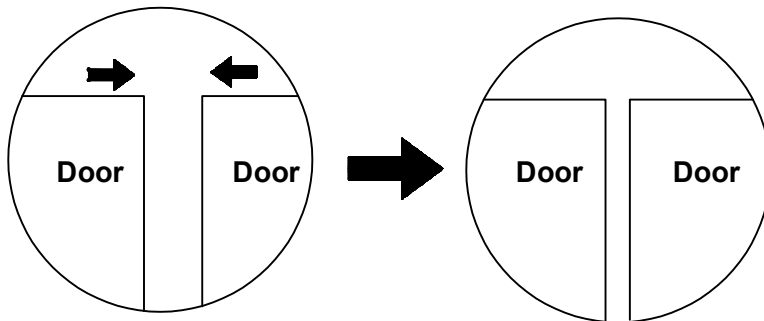
If the gap is too small between side panel and door or the door sank in side panel, loosen the back screw as shown, then move out the door with hinge and tighten the back screw as shown when the gap is just well.

10-C



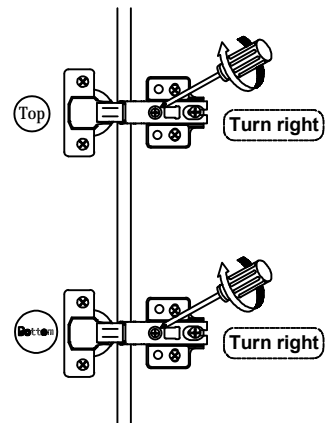
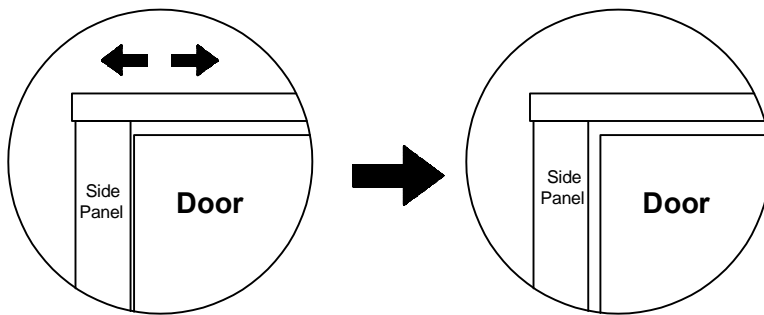
If the gap between the two doors is too small, follow the diagram.

10-D



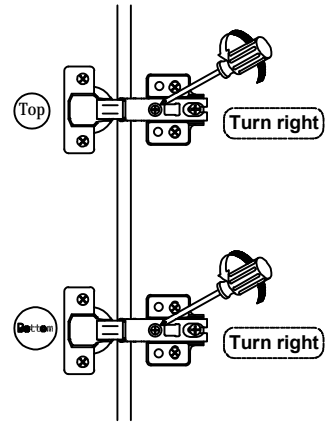
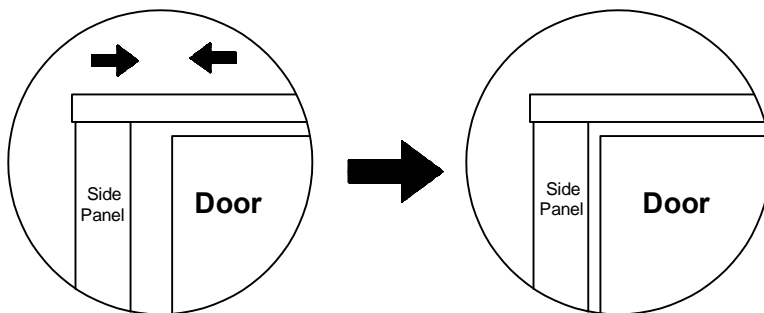
If the gap between the two doors is too large, follow the diagram.

10-E



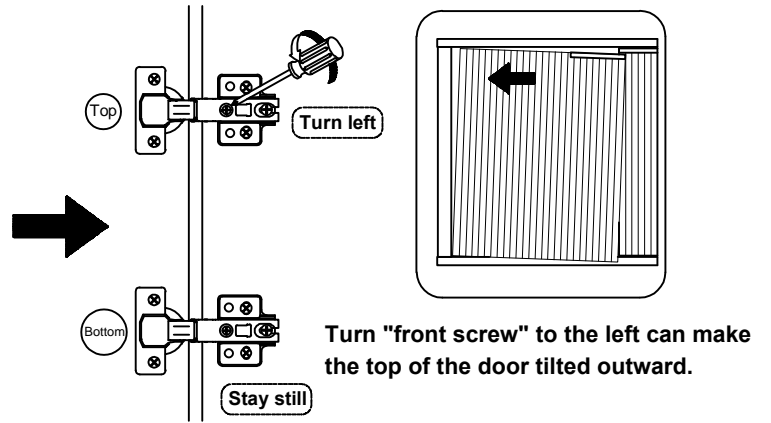
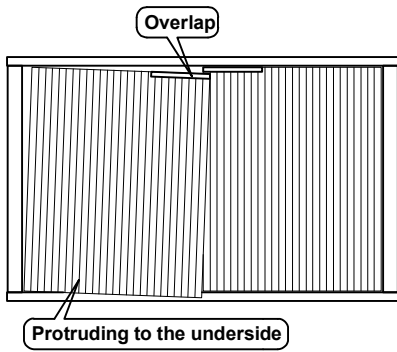
If the gap between the door and the side panel is too small, loosen the front screw as shown.

10-F

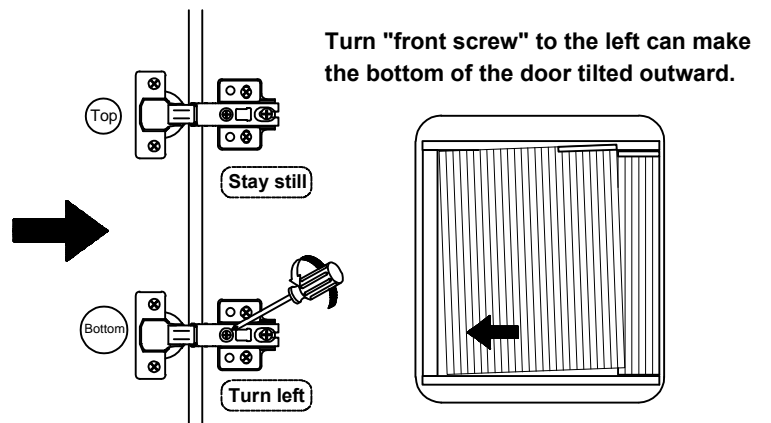
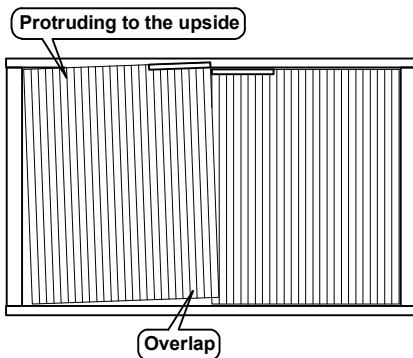


If the gap between the door and the side panel is too large, tighten the front screw as shown.

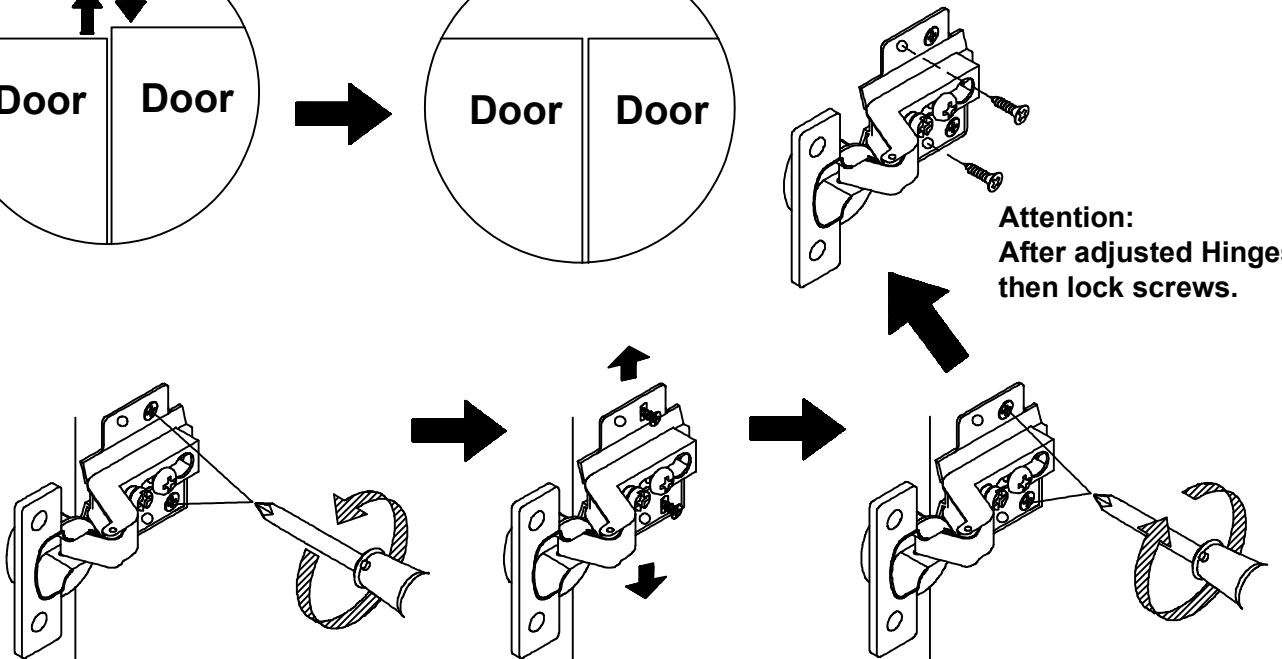
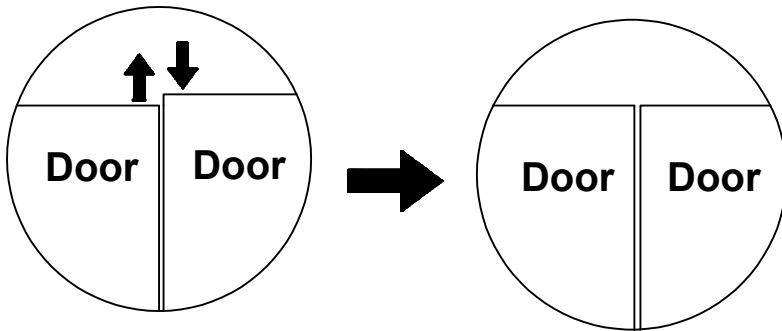
10-G. When door is leaning



10-H. When door is leaning

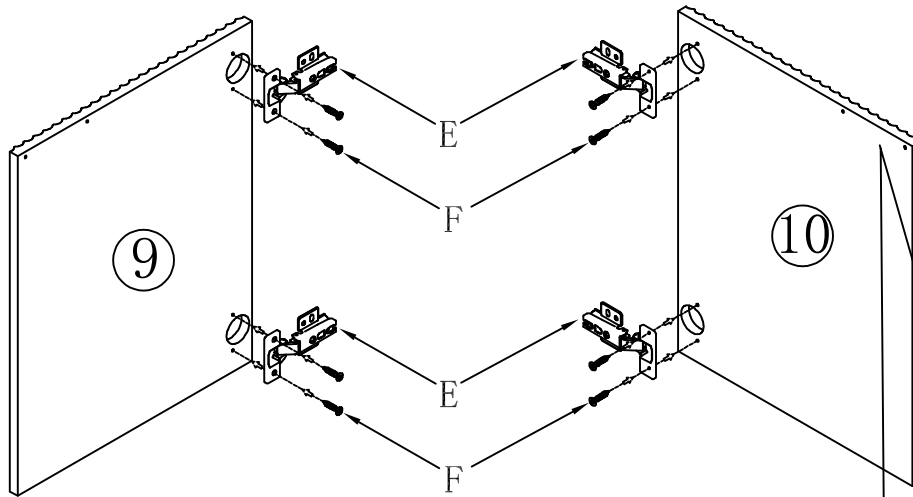



10-I. When the door is higher on top

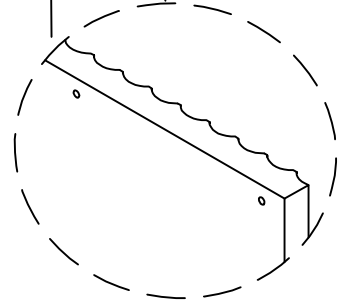


If the doors are not in the same level, loosen the back screws on wing, then adjust the door up and down, tighten the screws when both doors are in same level. Screw front two screws on wing when all are in place.

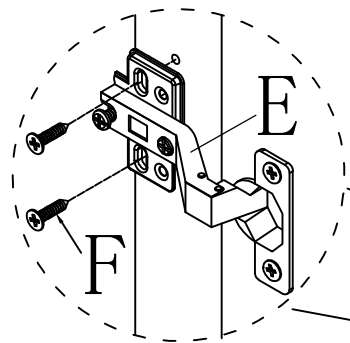
STEP 15



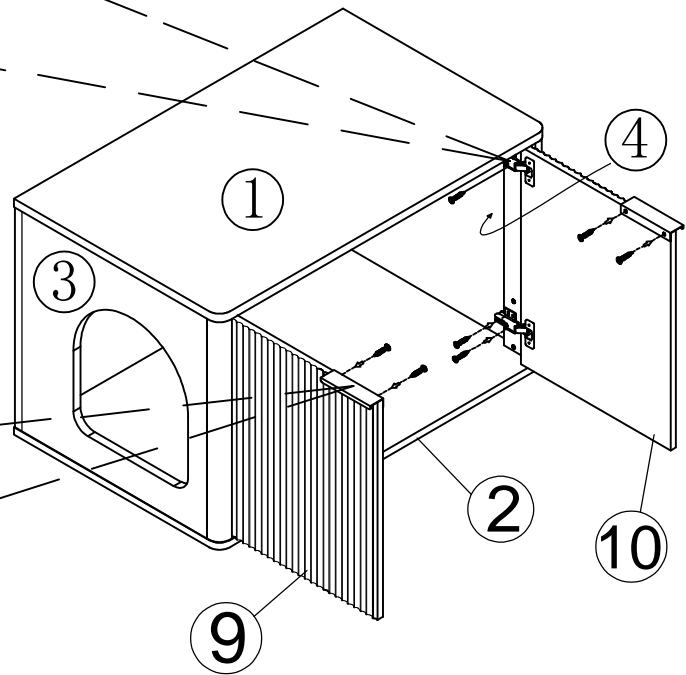
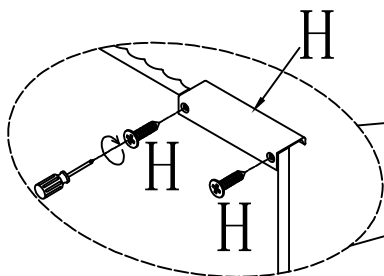
 **Before installing the door panels, please study and read the following steps. For possible problems, we have given some suggestions to solve the problems you encounter.**






Please note the orientation of the holes.



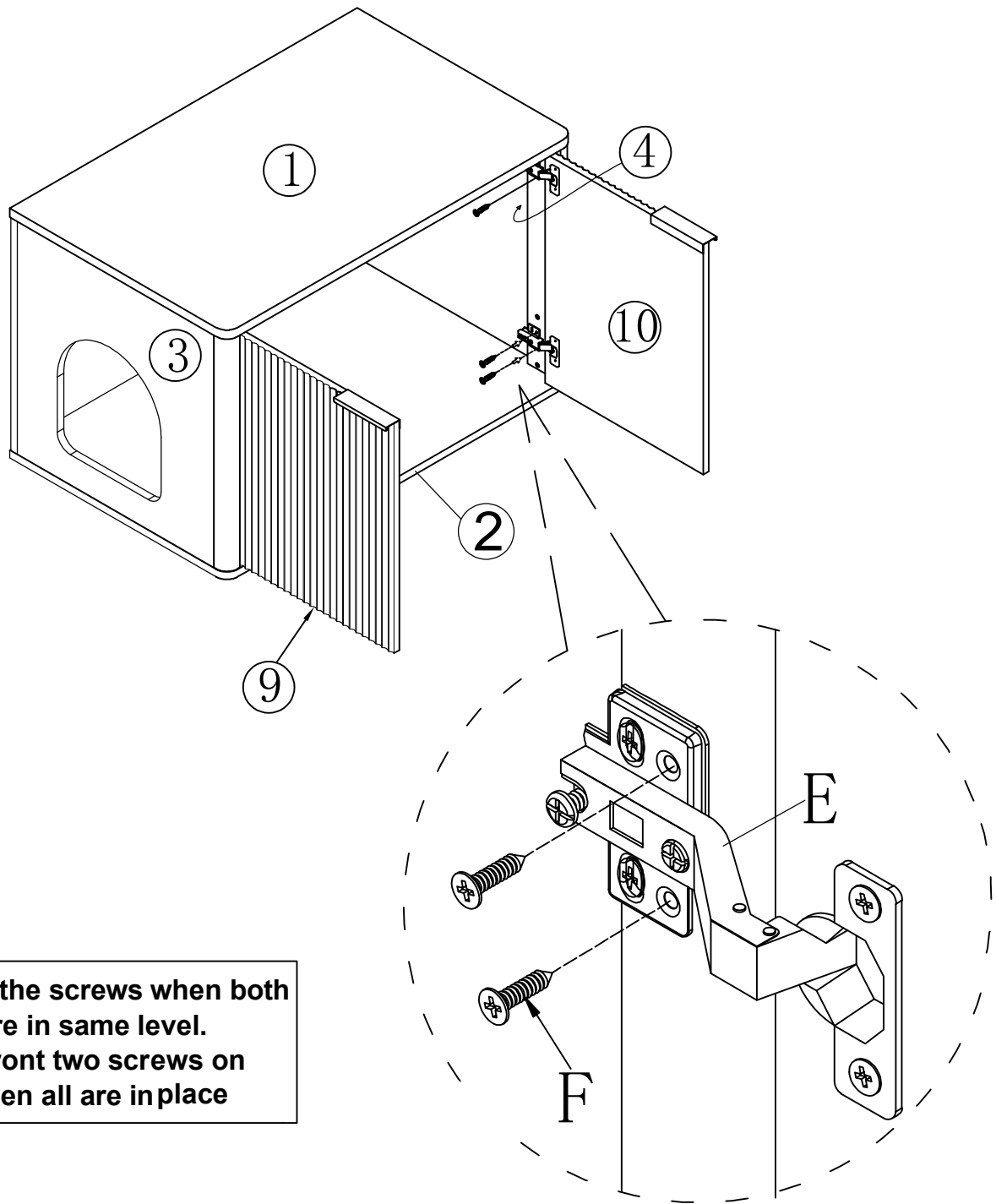
x4




	Ex4PCS
	Hx2PCS
	Fx16PCS

The letter "E" hinge door is installed on both sides of the cabinet.

STEP 16



 **Tighten the screws when both doors are in same level. Screw front two screws on wing when all are in place**

NOTE:
If there is a large gap in the installation of the door, you can return to page 18 or 19 to view the installation video and installation tutorial.

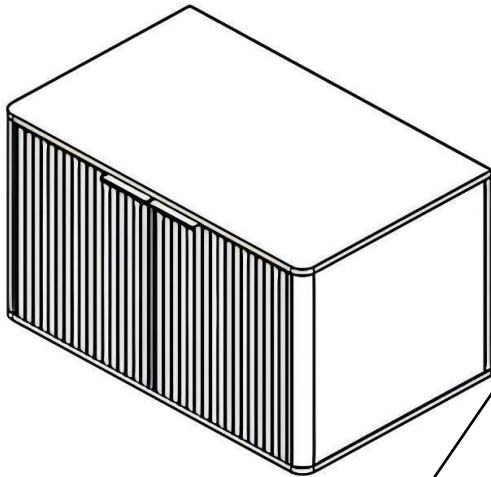
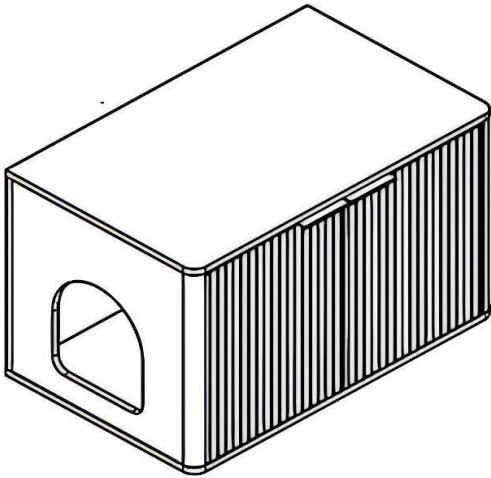
X4

If it doesn't work after checking the installation tutorial, you can contact our after-sales email via vipservice2023@yeah.net and we will have someone to serve you.

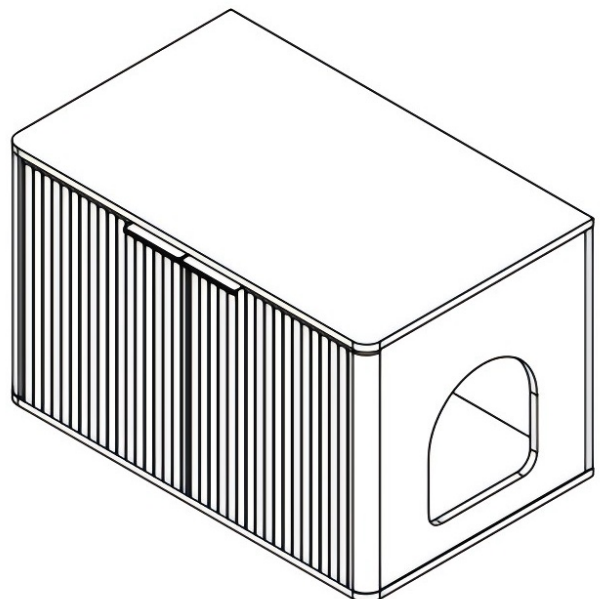
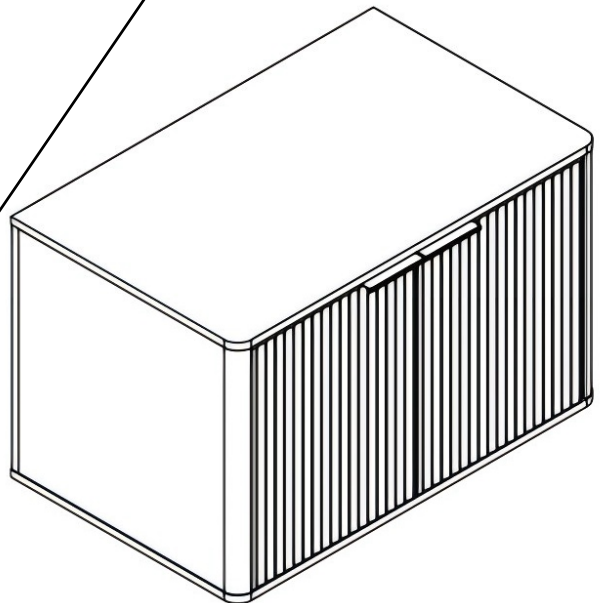


STEP 17

Combination 1



Combination 2



Finish!