

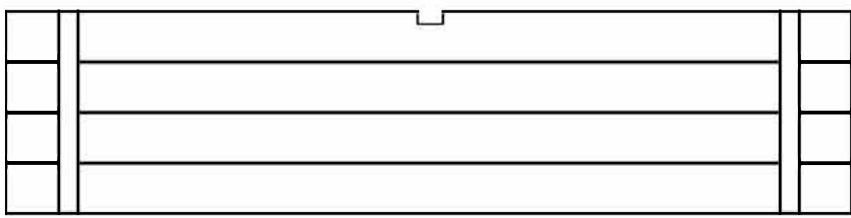
ASSEMBLY INSTRUCTIONS

Tools Needed: screwdriver or power drill (optional)

CAUTION: When assembling the planter, **DONOT** completely tighten nuts and bolts until all part & holes are properly aligned and positioned.

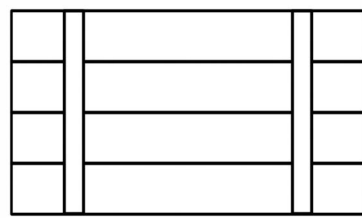
PARTS LIST

A 2 PC



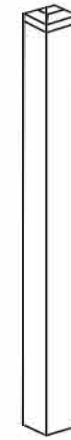
Long Boards

B 2 PC



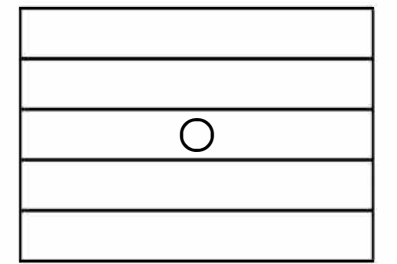
Small Boards

C 4 PC



Legs

D 2 PC



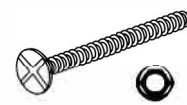
Inner Boards

E 2 PC



Connecting Slats

F 24 PC



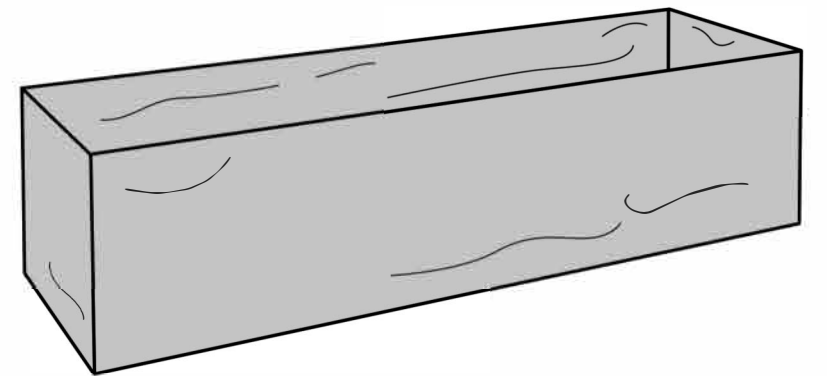
Screw & Nut

G 4 PC



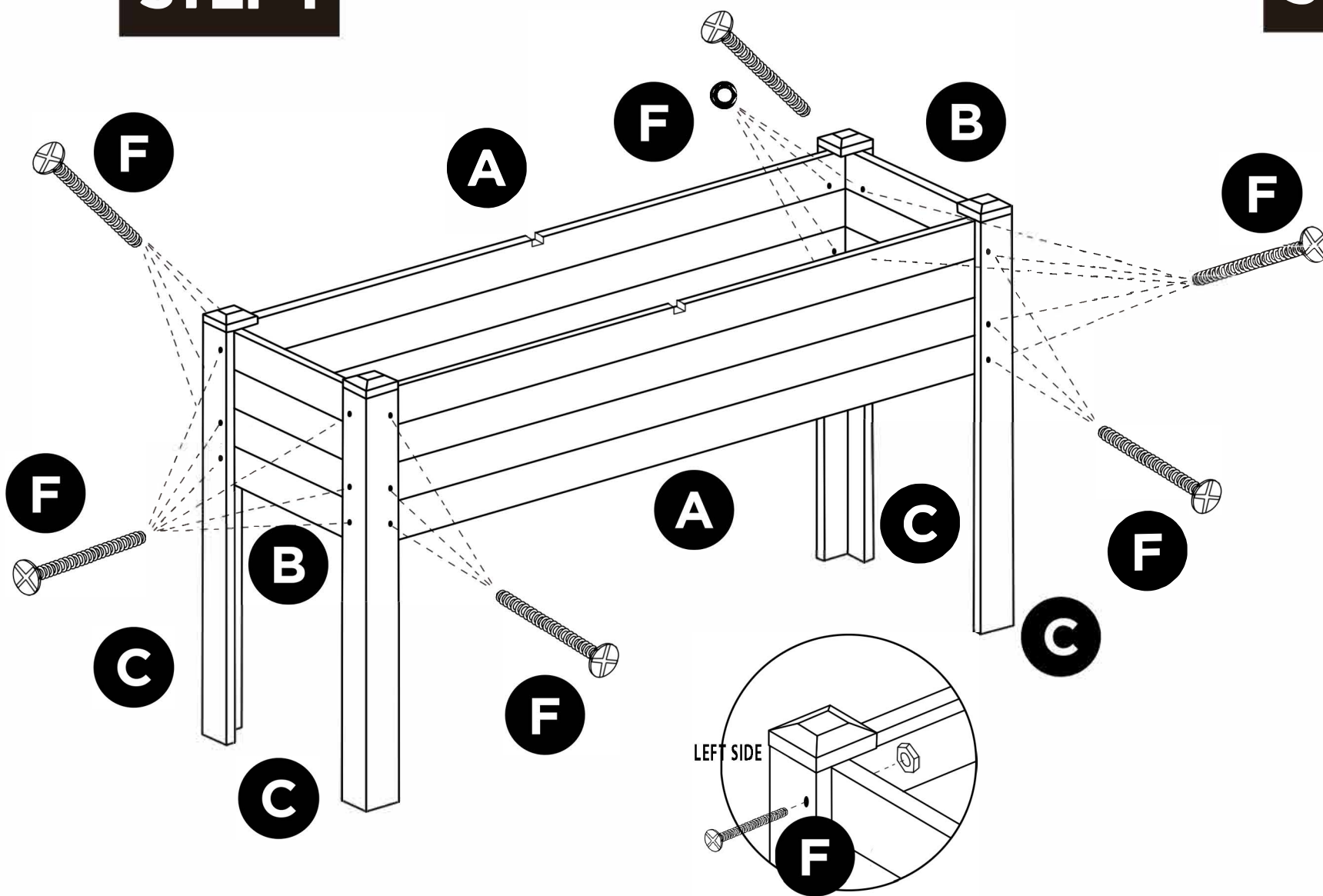
Screw

H 1 PC

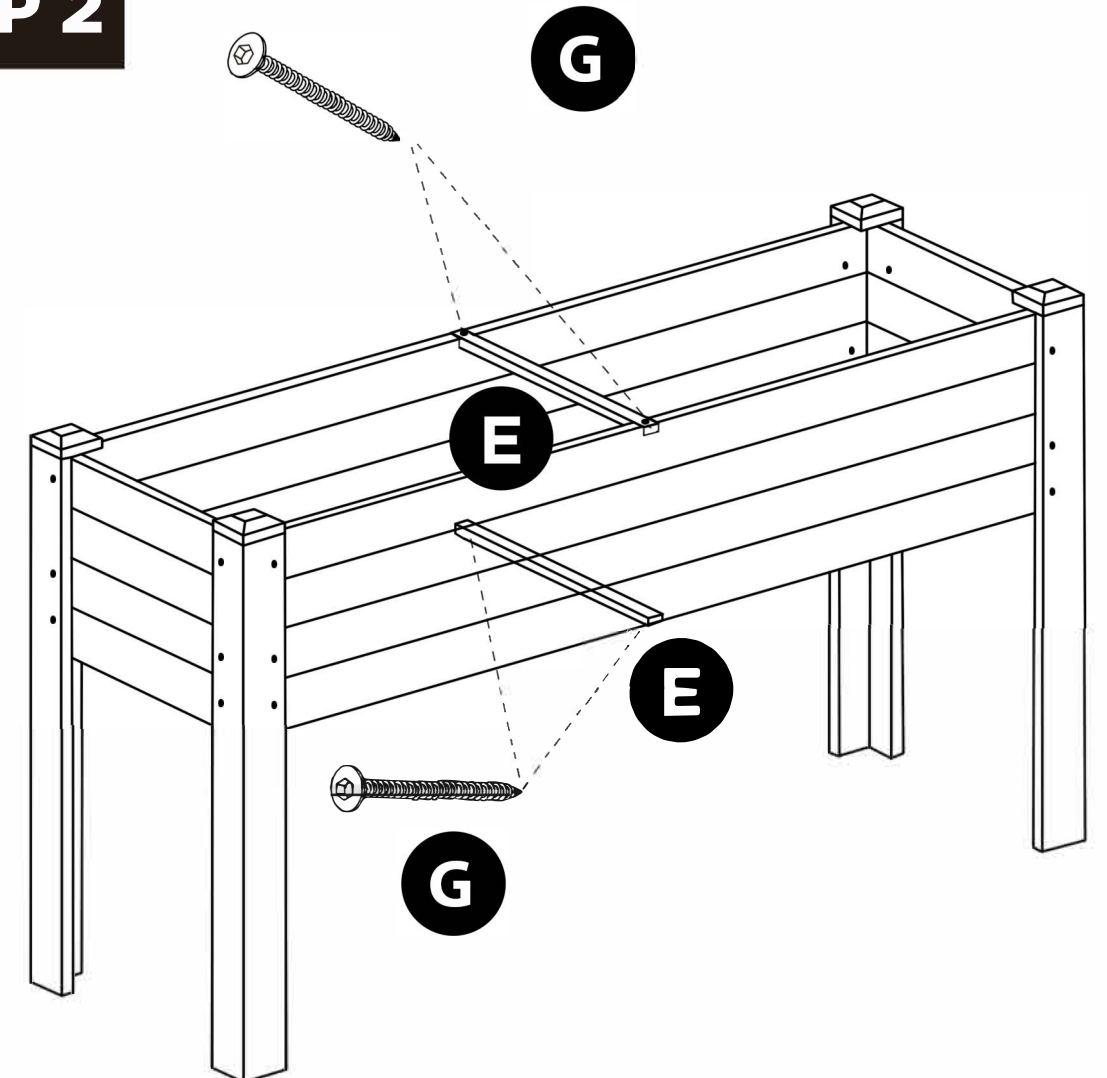


Liner

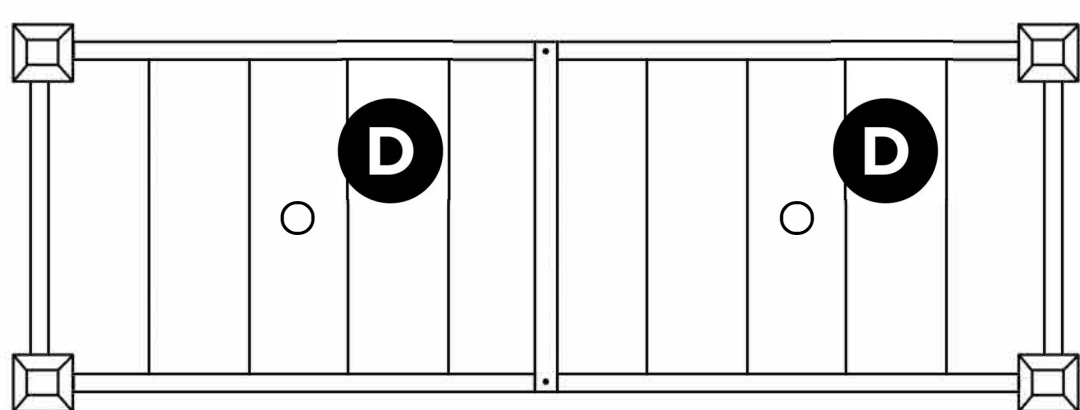
STEP 1



STEP 2



STEP 3



STEP 4

