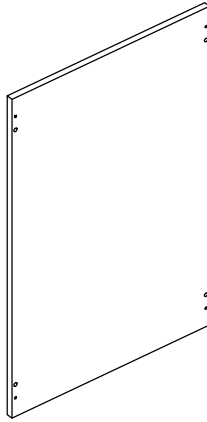
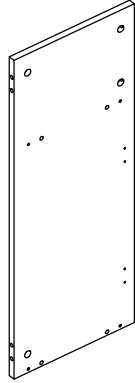


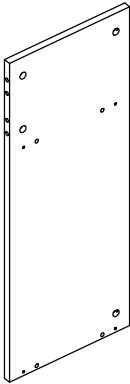
Ax1



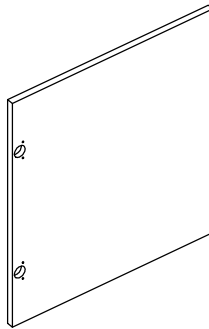
Bx1



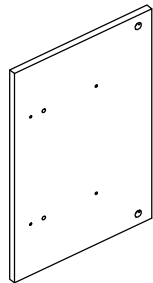
Cx1



Dx1



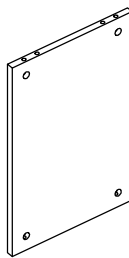
Ex1



Fx1



Gx1



Hx2



Ix2



Jx20



Kx26



Lx12



Mx26

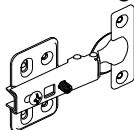


Rx1



Nx12

M3.5x  $\frac{15}{0.6}$



Sx2

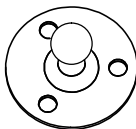


Ox5

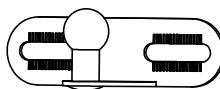
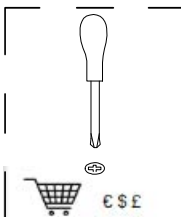
M3.5x  $\frac{12}{0.5}$



Tx12



Px1



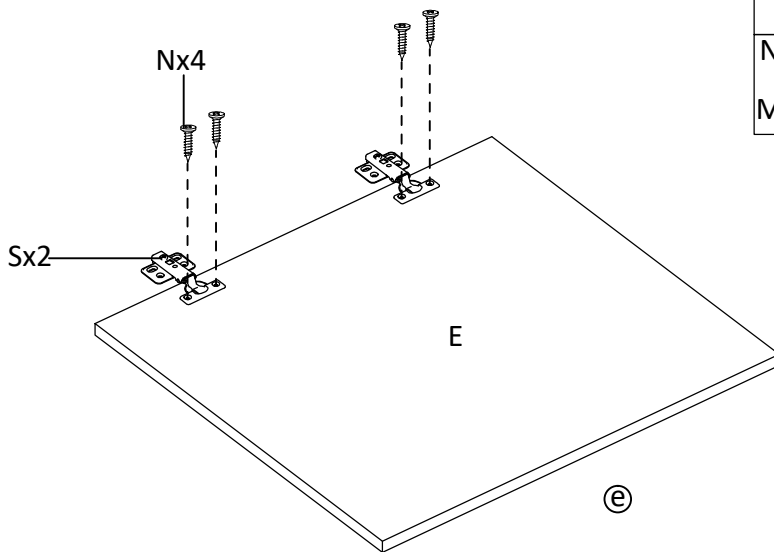
Qx1



mm  
inch

x2

1



Sx2

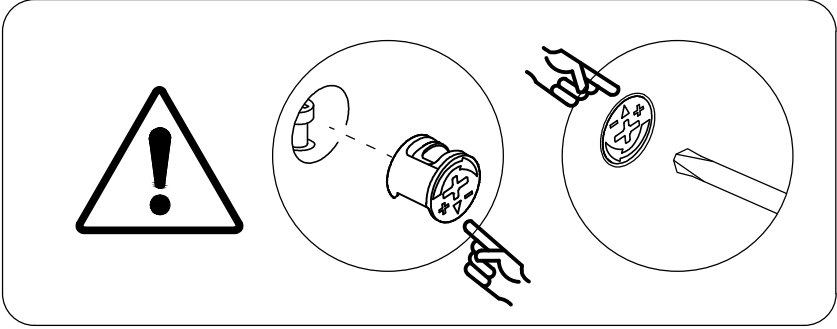


Nx4

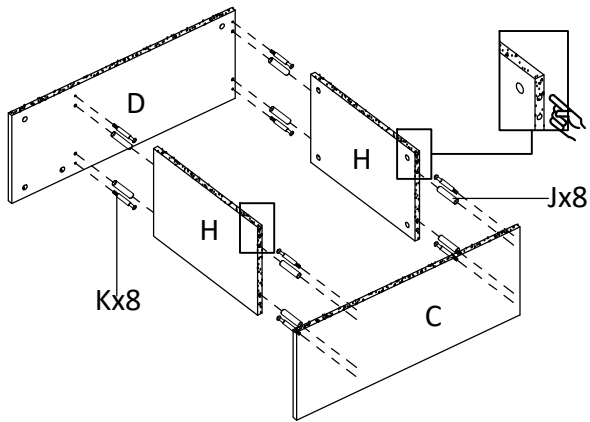


M3.5x  $\frac{15}{0.6}$

e



②



Jx8

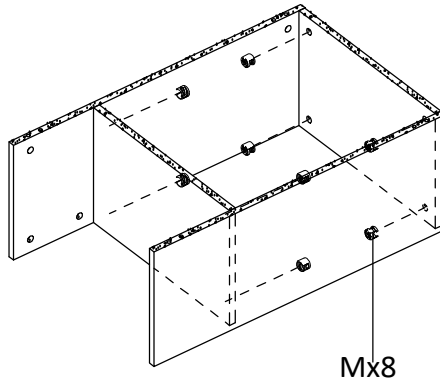


Kx8



3

Mx8

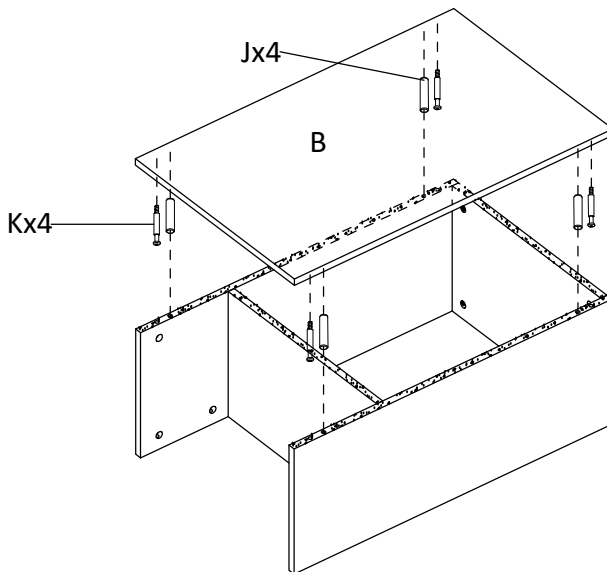


4

Jx4

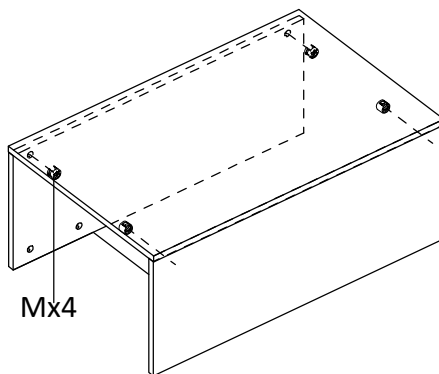


Kx4



5

Mx4



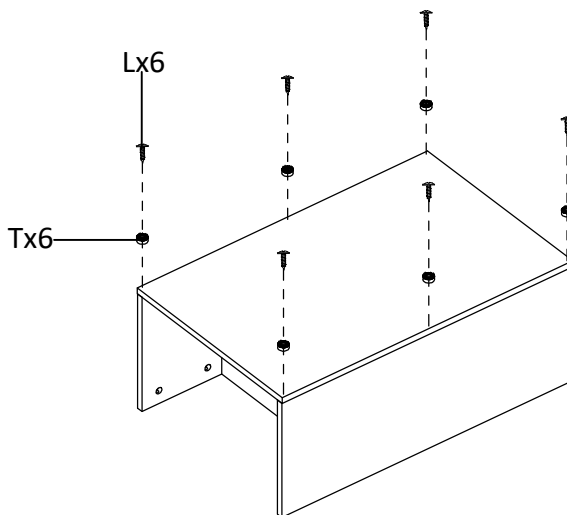
Mx4

6

Lx6



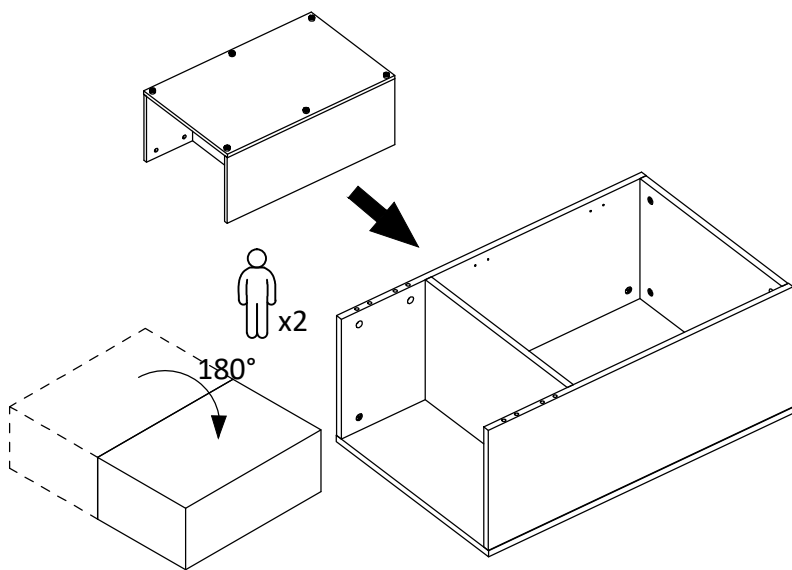
Tx6



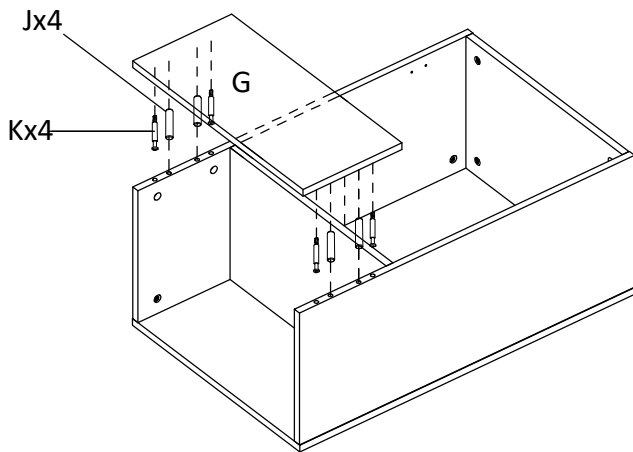
Lx6

Tx6

7



8



Jx4



Kx4

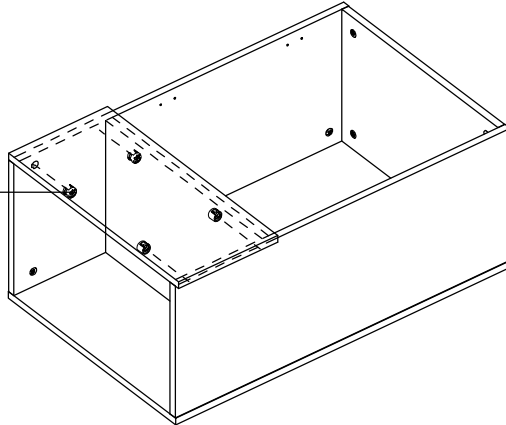


9

Mx4

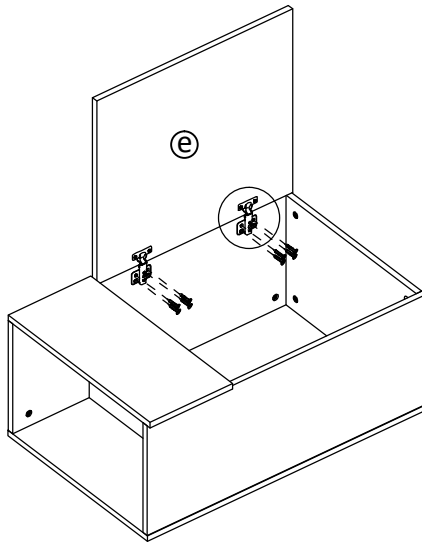


Mx4

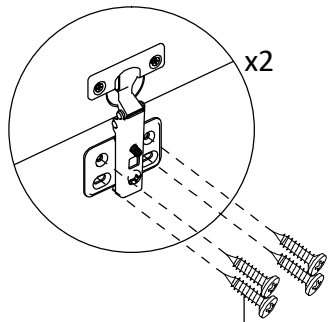


10

e



x2



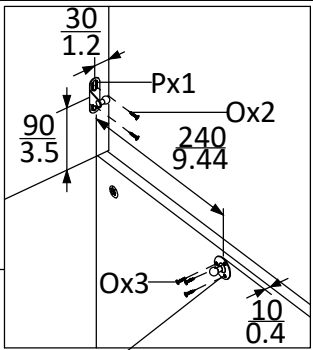
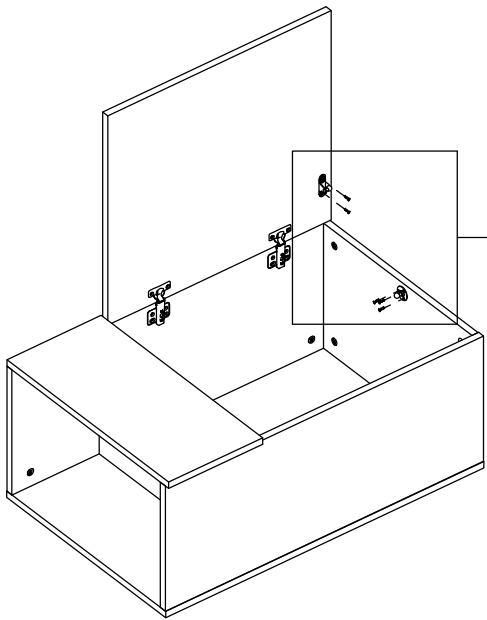
Nx4




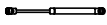
Nx8



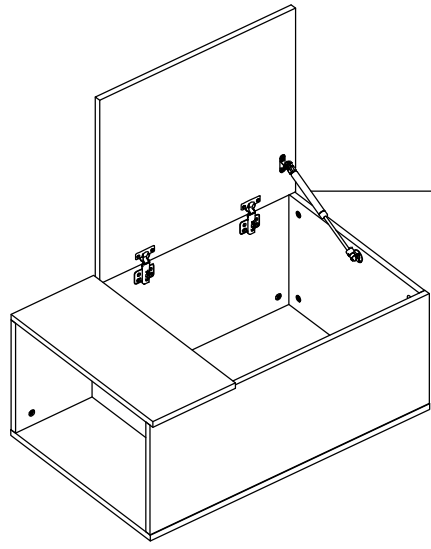
M3.5x 15  
0.6

11



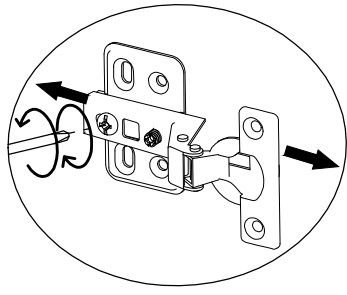
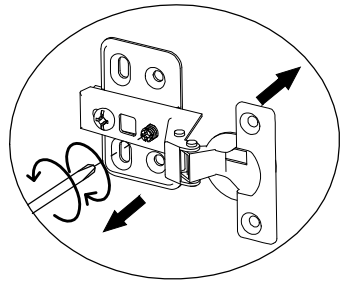
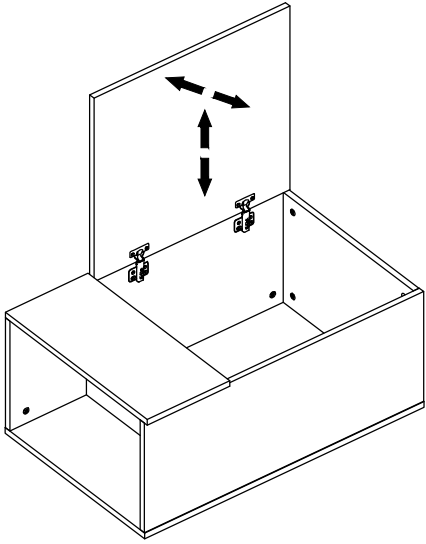
- Ox5  M3.5x  $\frac{12}{0.5}$
- Qx1 
- Px1 
- Rx1 

12

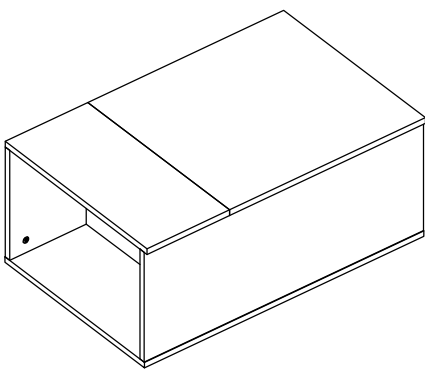


Rx1

13

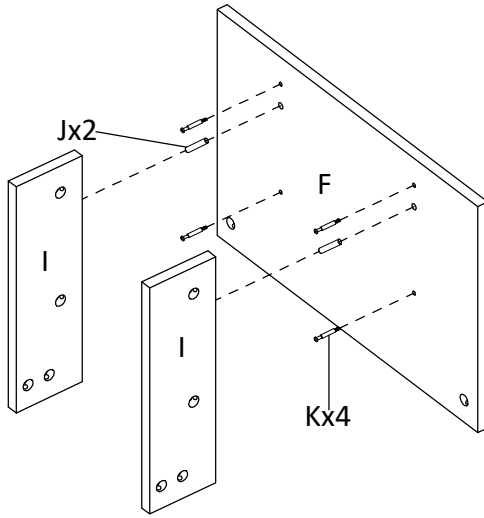


14



b

15



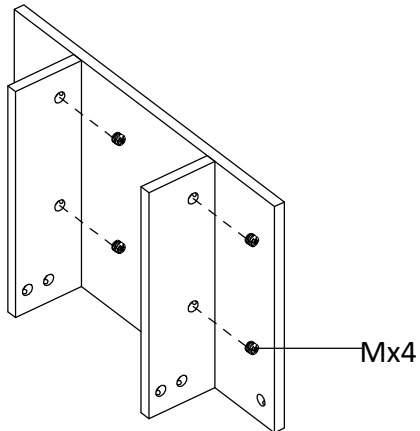
Jx2



Kx4



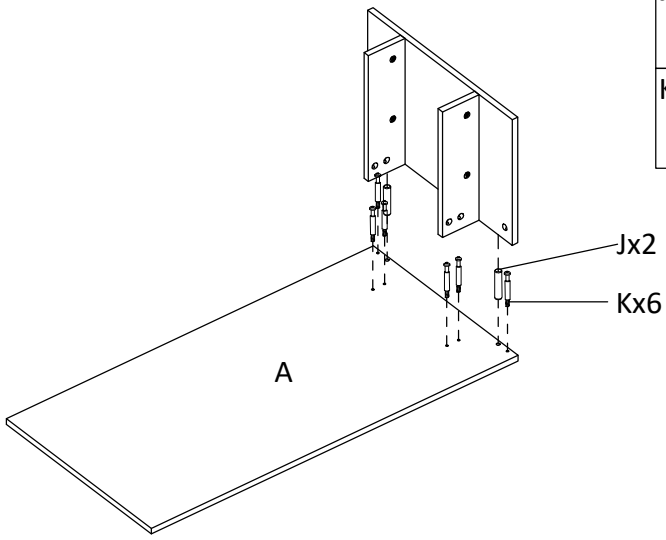
16




Mx4




17



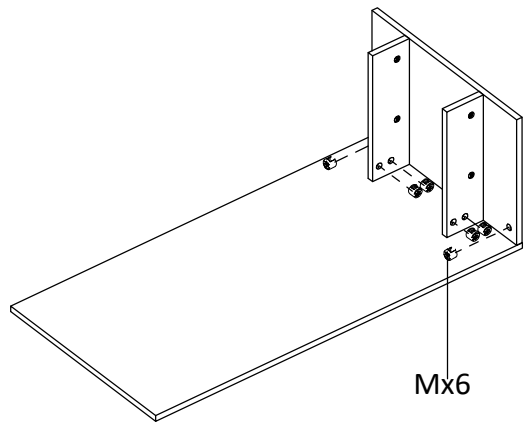
Jx2




Kx6



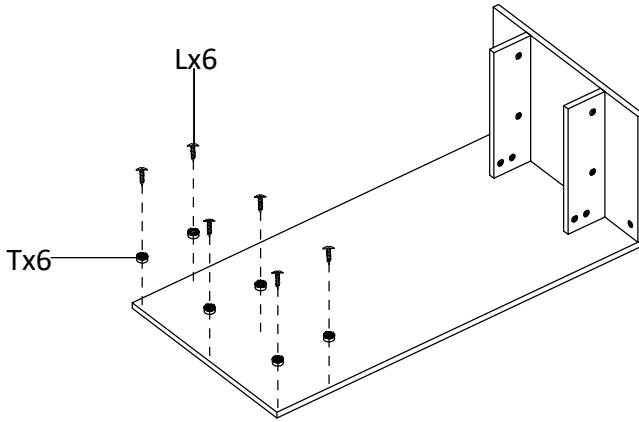
18



Mx6



19



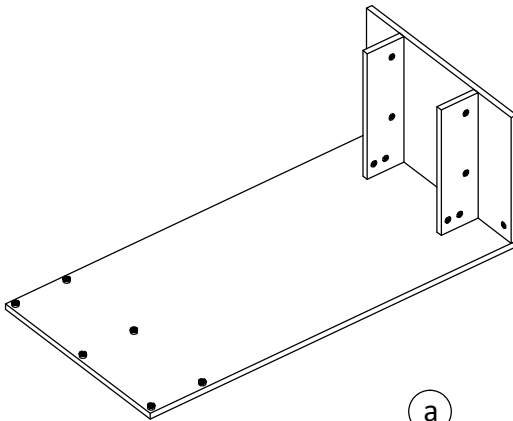
Lx6



Tx6

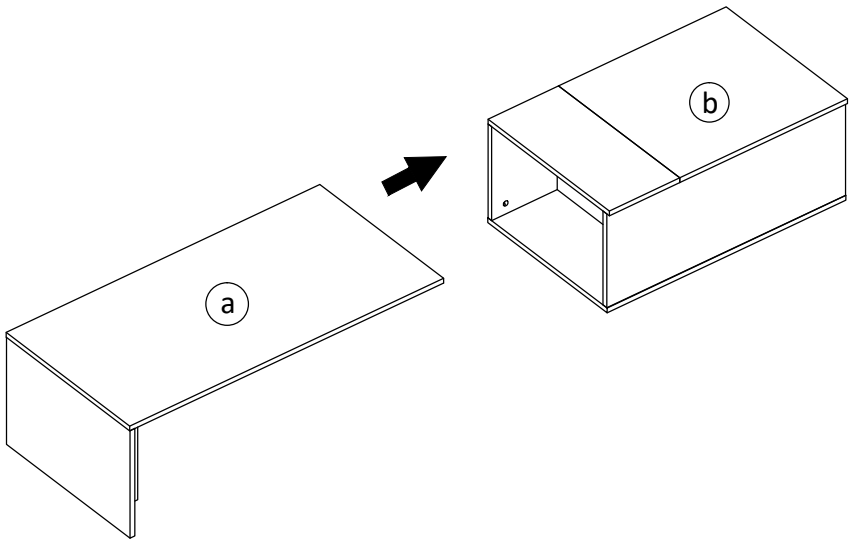


20



a

21



22

