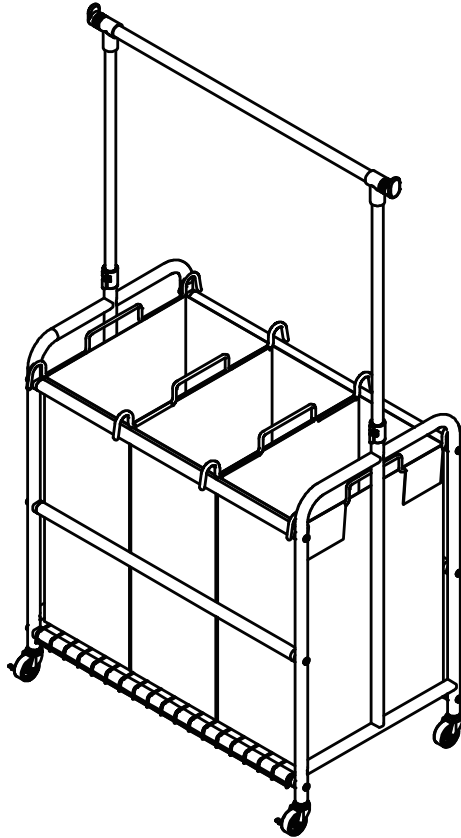


seville classics[®]

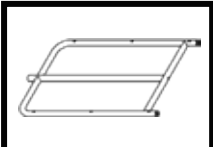

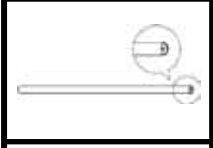


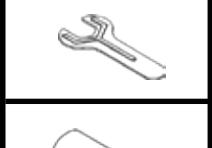
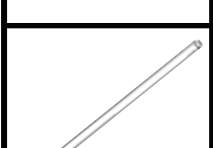
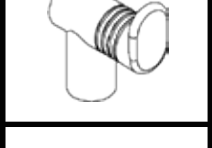
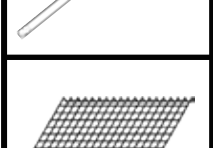
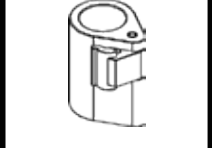
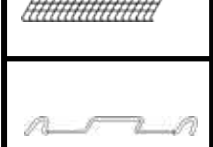
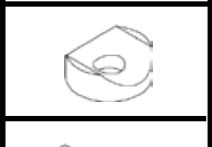
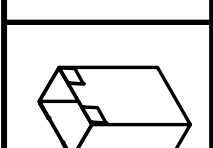
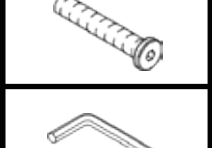

3 bag laundry sorter w/ hanging bar



Model: SHE16157B

Thank you for choosing Seville Classics! We hope that you enjoy your new laundry sorter. Please read through this user guide for parts list, assembly instructions, frequently asked questions and contact information.

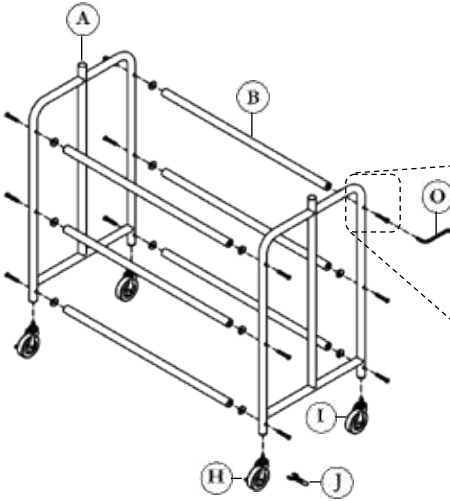
Parts List

| | | | |
|-----------------------|---|-----------------------|---|
| A. Frame (2) |  | H. Caster (2) |  |
| B. Crossbar (6) |  | I. Locking caster (2) |  |
| C. Hanger bar (1) |  | J. Wrench (1) |  |
| D. Vertical poles (2) |  | K. Cap (2) |  |
| E. Grid (1) |  | L. Connector (2) |  |
| F. Handles (6) |  | M. Washer (12) |  |
| G. Bag (3) |  | N. Screws (12) |  |
| | | O. Hex key |  |

Please make sure you have all the parts on this list.

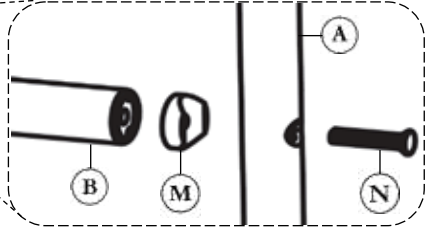
If you're missing parts, contact us for replacements at (800) 323-5565 or send an email to Support@SevilleClassics.com

Assembly Instructions



Step 1.

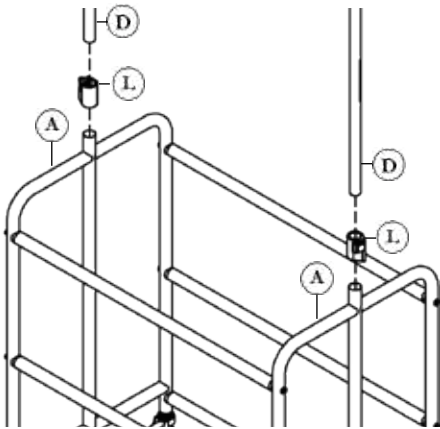
Connect **FRAMES (A)** with **CROSSBARS (B)**. Fit **WASHERS (M)** between **CROSSBARS (B)** and **FRAMES (A)**.



Flat side of washer MUST fit in end of crossbar. Curved side of washer MUST fit against side frame.

Attach with **SCREWS (N)** and through outside holes on **FRAMES (A)** using **HEX KEY (O)**.

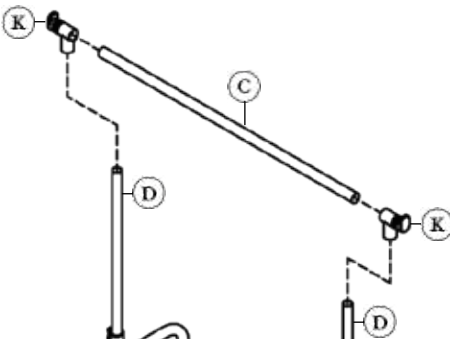
Screw **CASTERS (H)** and **LOCKING CASTERS (I)** into bottoms of **FRAMES (A)** with **WRENCH (J)**.



Step 2.

Pull out tab from **CONNECTORS (L)** and fit over the open pole on both **FRAMES (A)**.

Fully insert **VERTICAL POLES (D)** through connectors into **FRAMES (A)**.

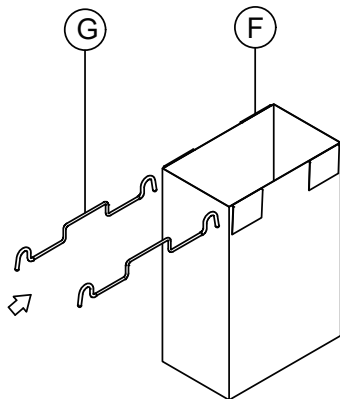


Step 3.

Press **CAPS (K)** onto both ends of **HANGER BAR (C)**.

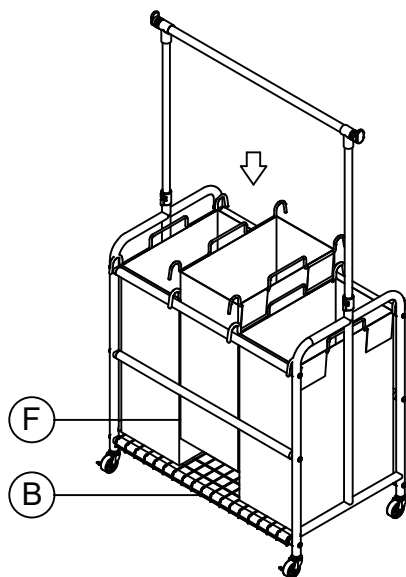
Pull out or press in **CAPS (K)** to align with **VERTICAL POLES (D)** so that there's no tension when adjusting hanger bar.

Firmly press **CAPS (K)** onto **VERTICAL POLES (D)**. Lift the hanger bar, and adjust **CAPS (K)** if not smooth.



Step 4.

Insert **HANDLES (F)** to tops of **BAGS (G)**.
Hang bags on crossbars to complete.
Remove bags and carry laundry from one place to another as needed.



Congratulations!
Enjoy your new laundry sorter with clothes hanging bar.

Specifications

Dimensions: 33.07" W x 18.11" D x 40.95" to 66.15" H

Bag dimensions: 9.45" D x 15.75" W x 23.63" H

Weight capacity (on bar): 40 lbs.

Weight capacity (on frame): 36 lbs. (12lbs./ bag)

Weight: 20.29 lbs.

Use Instructions

Pull out the tabs on the **CONNECTORS (L)** to unlock the hanging bar.

Raise to desired height and press tabs in to lock.

Move into position and lock the wheels for stability.

Machine wash **BAGS (G)** in cold water on delicate setting. Tumble dry on low.

Customer Service Information

Telephone: (800) 323-5565

Fax: (310) 533-3899

Hours: 8:30 AM – 4:30 PM (PST)

Email: Support@SevilleClassics.com

Homepage: www.SevilleClassics.com