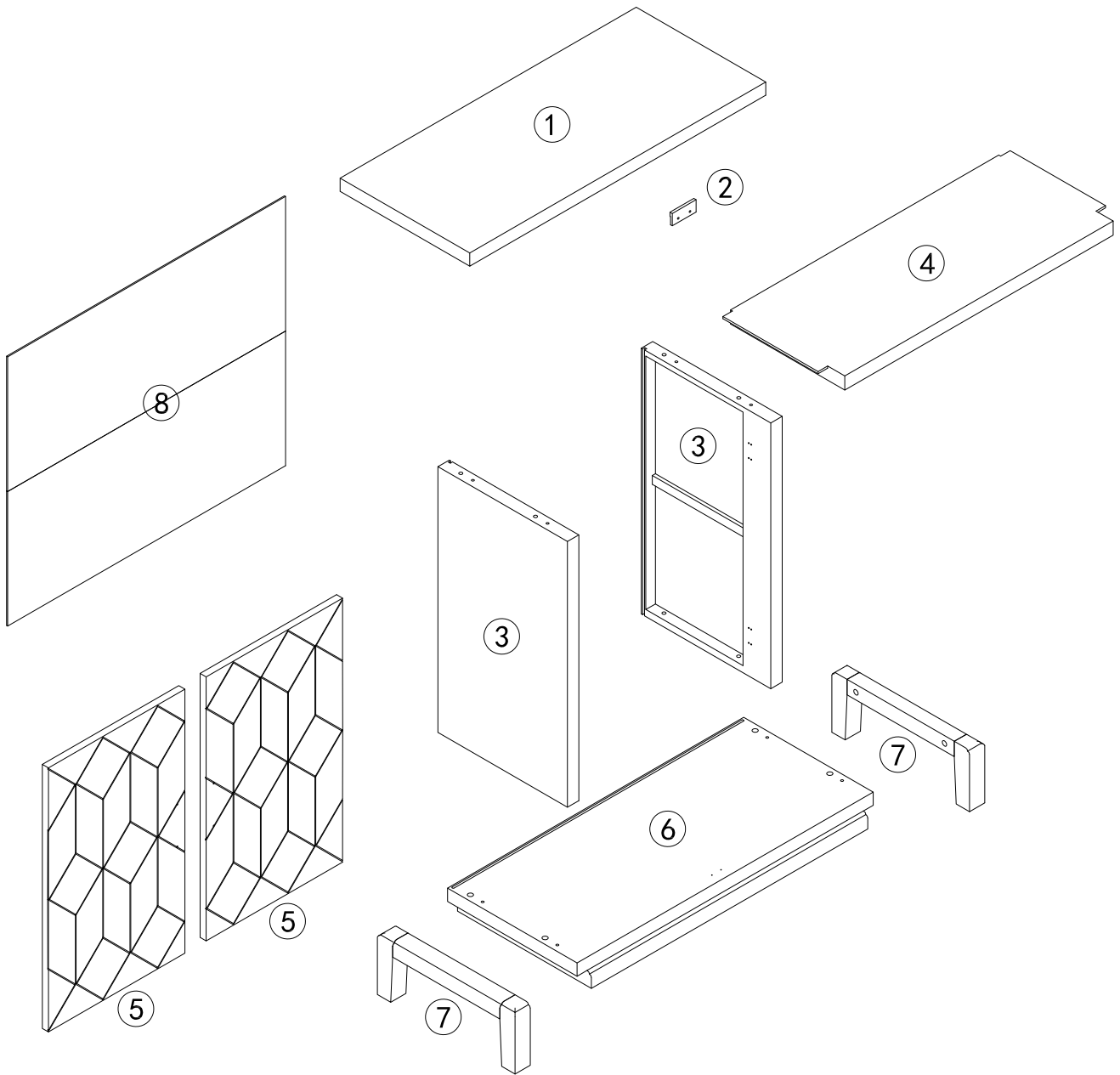



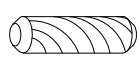
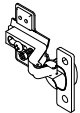

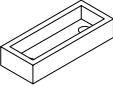
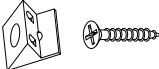
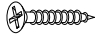
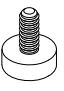

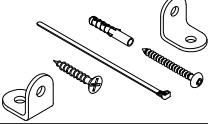

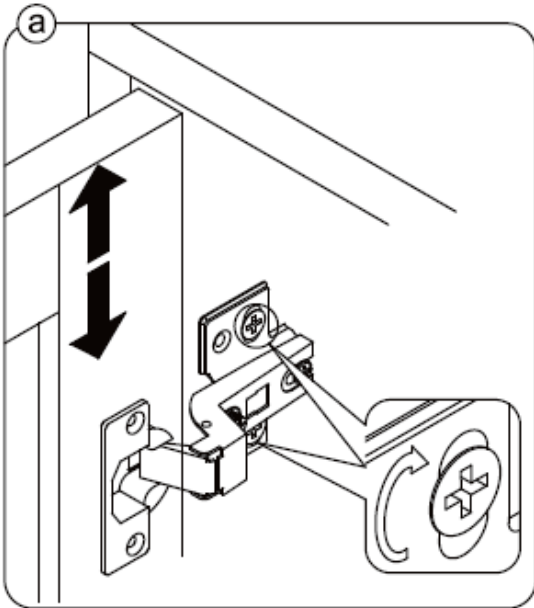


1. Please read this assembly instructions carefully before assembling the product;
2. Keep your product away from sulfuric acid and hot or burning sources; Do not expose the product directly to sunlight.

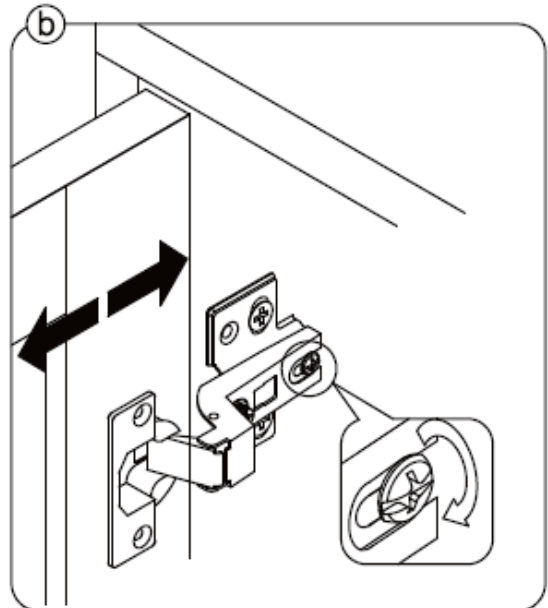


<p>A ×12</p>  <p>M6×28mm</p>	<p>B ×12</p> 	<p>C ×1</p> 	<p>D ×8</p>  <p>φ6×30mm</p>	<p>E ×4</p> 
<p>F ×2</p> 	<p>G ×1</p> 	<p>H ×4</p> 	<p>I ×24</p>  <p>FA3.5×14mm</p>	<p>J ×4</p> 
<p>K ×4</p>  <p>FA3×16mm</p>	<p>L ×2</p> 	<p>M ×4</p>  <p>M4×25mm</p>		

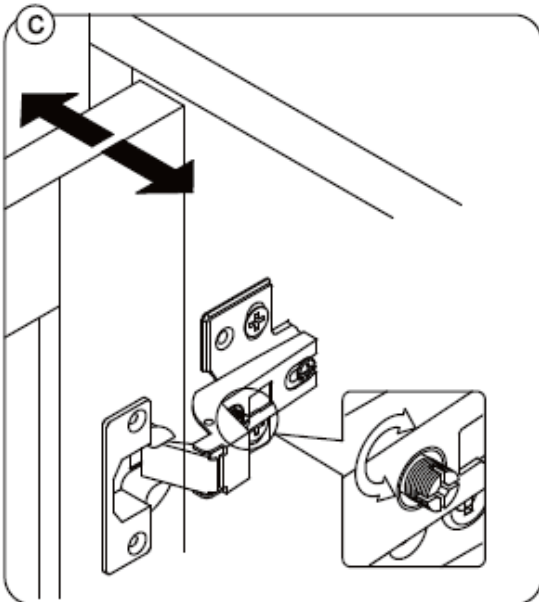
It may be necessary to adjust the hinges so that the doors align. Use the instructions below as a guide.



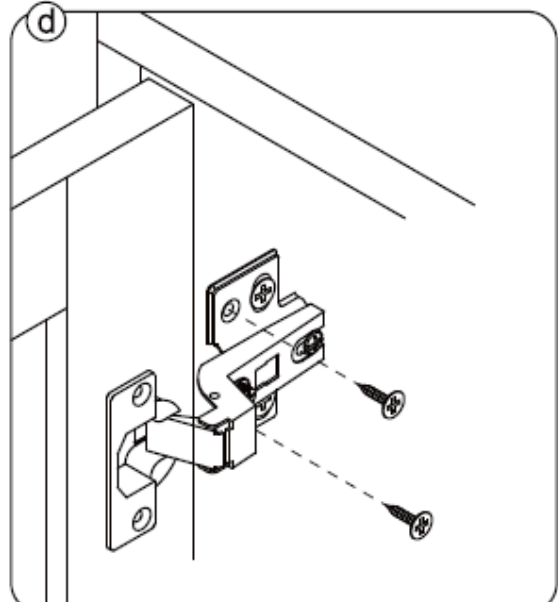
To adjust the door vertically loosen the screw as shown and move up and down as needed.



To adjust the gap from the door to the main frame turn the screw clockwise or anti-clockwise as needed.

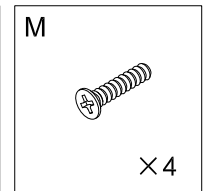
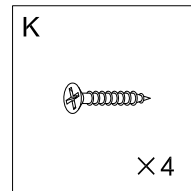
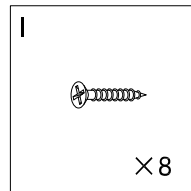
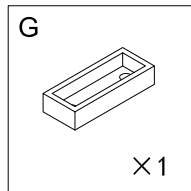
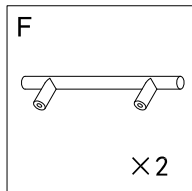
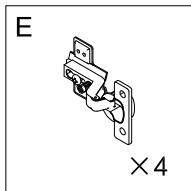
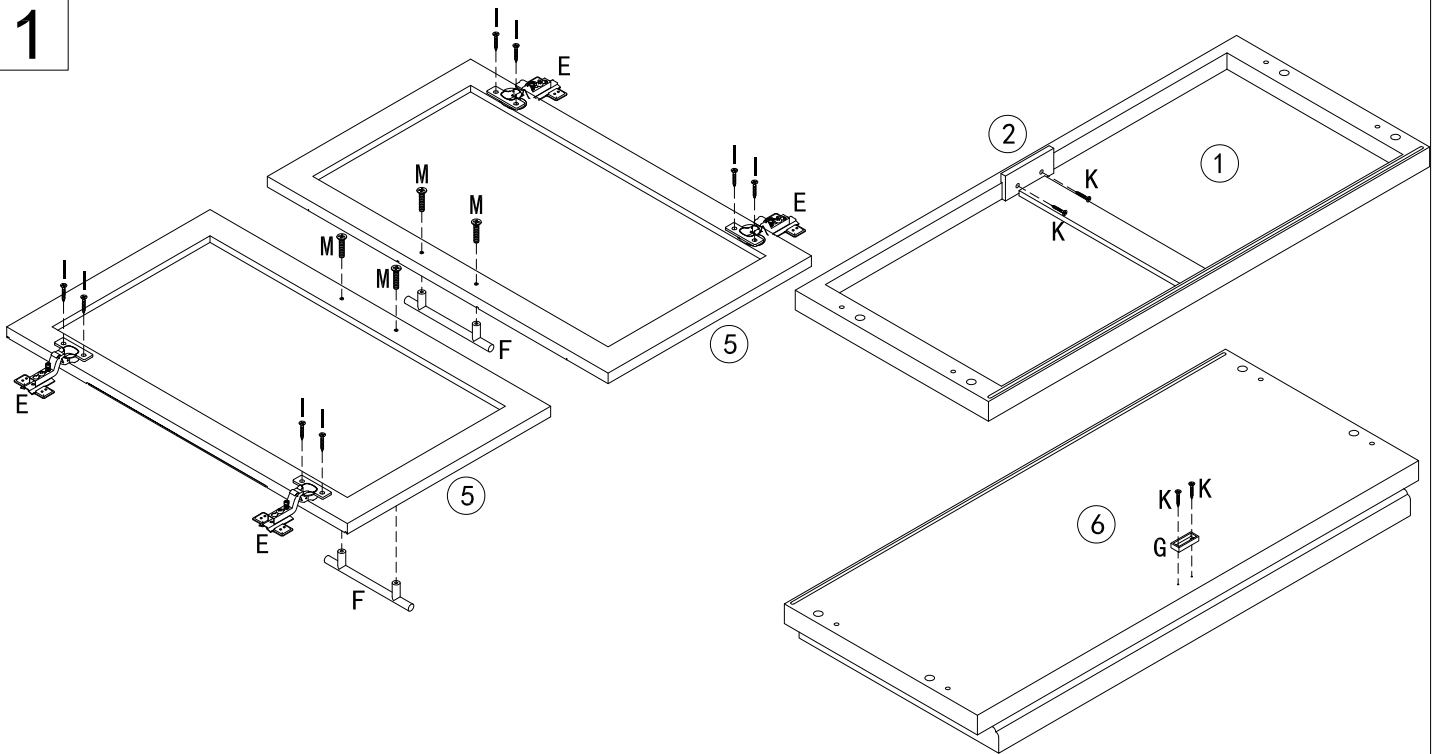


To adjust the door laterally adjust the screw as shown by turning clockwise or anti-clockwise.

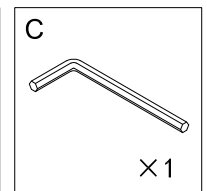
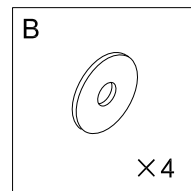
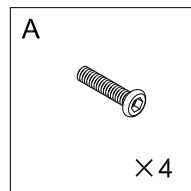
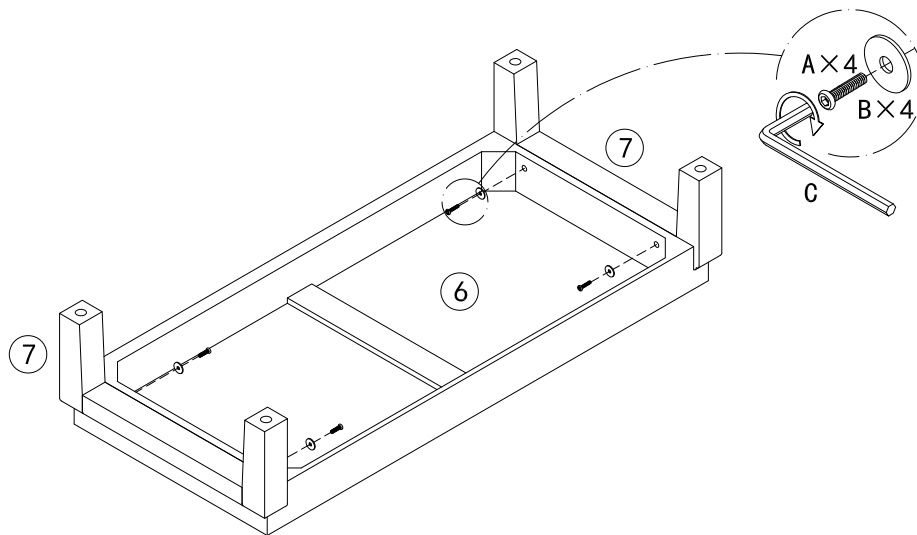


Please fix other screws.

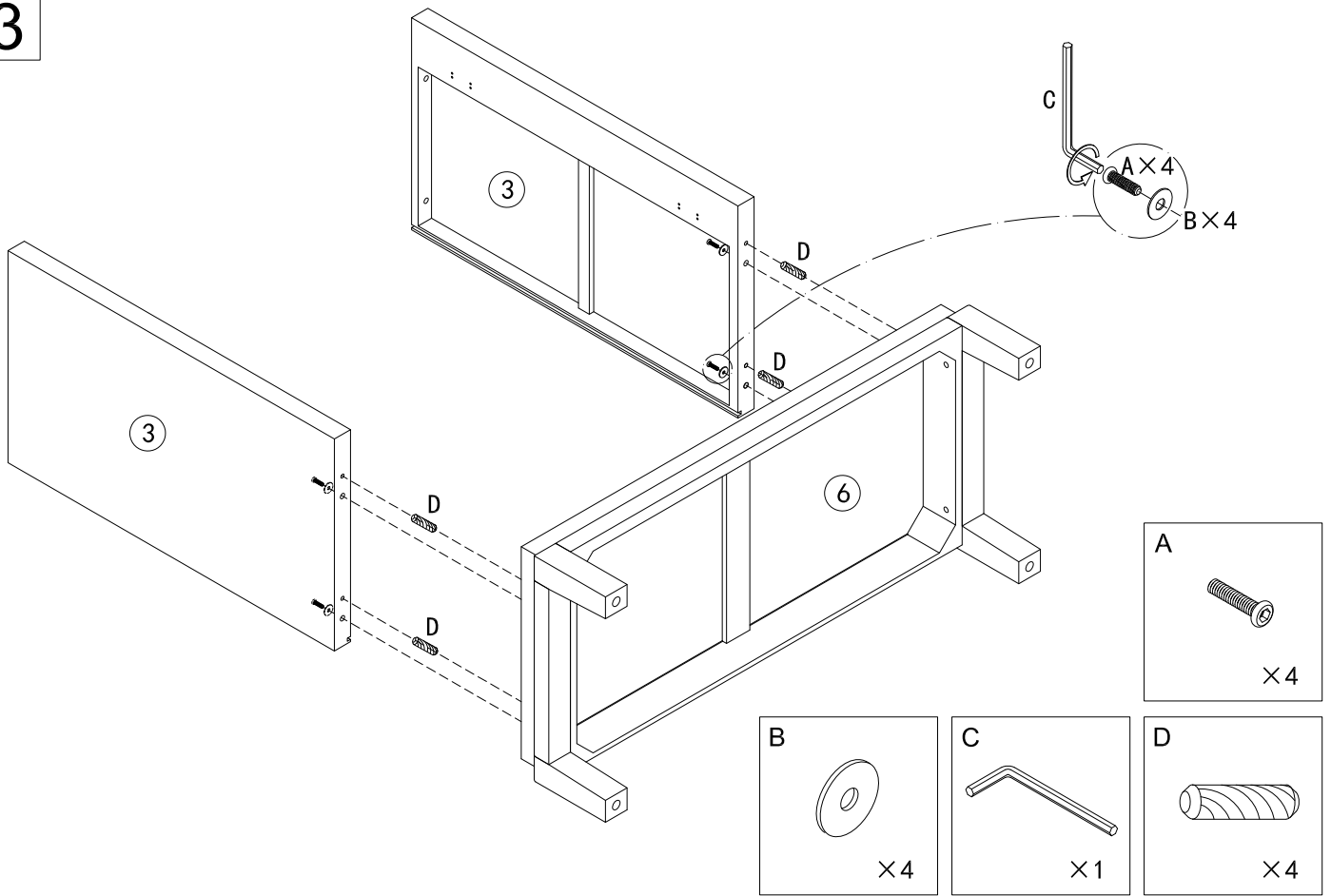
1



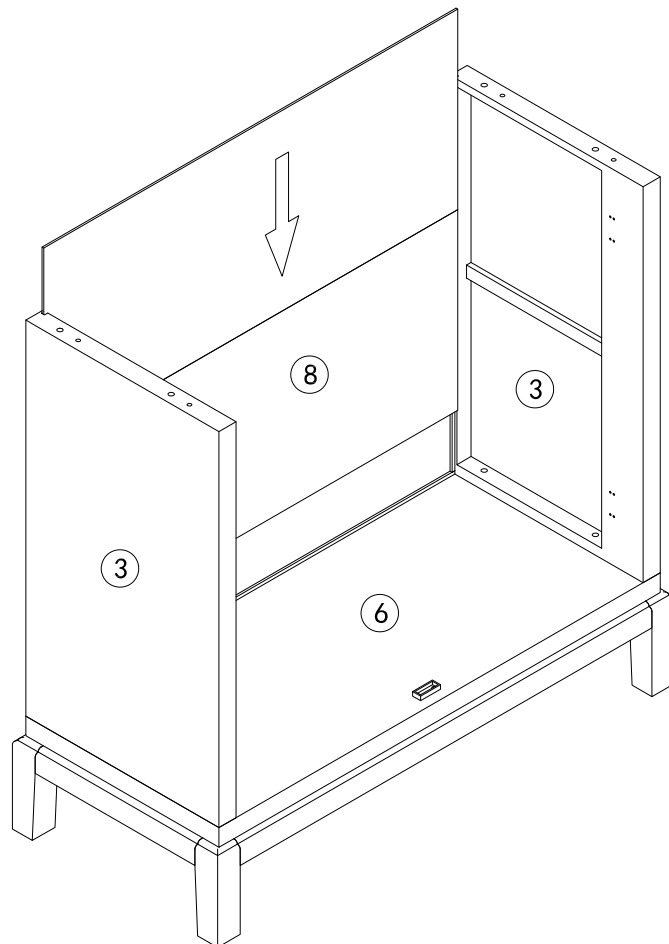
2



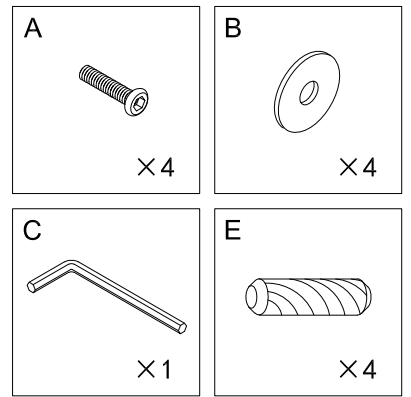
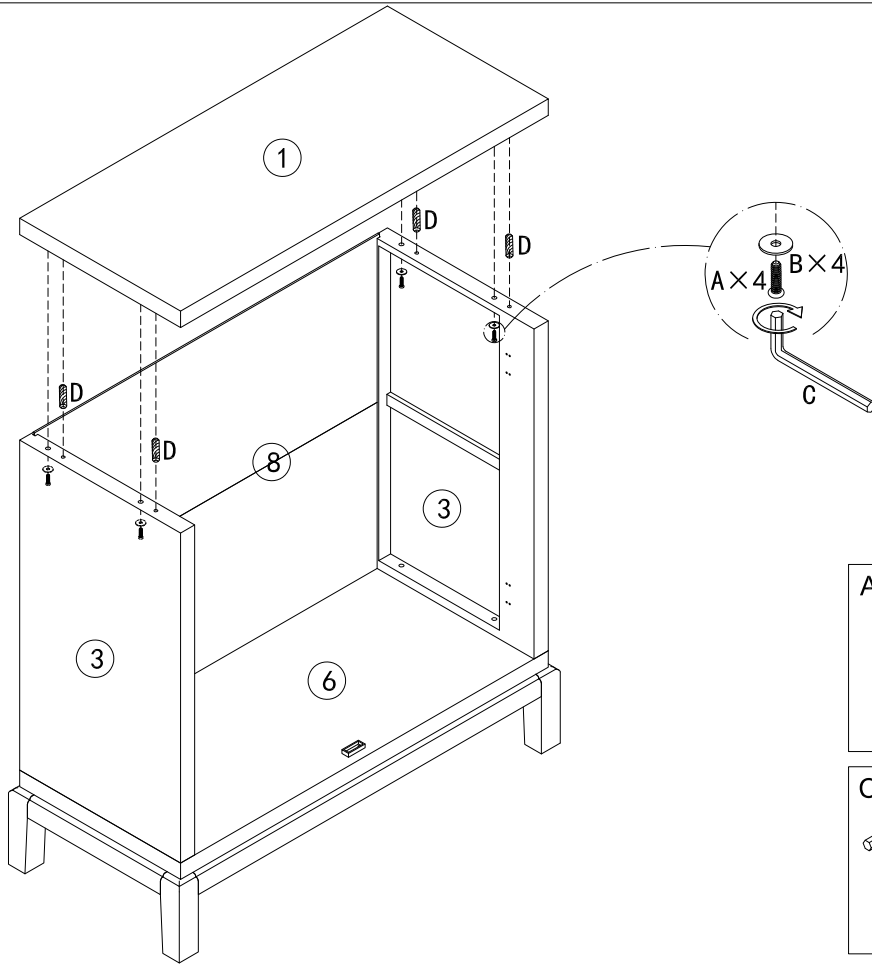
3



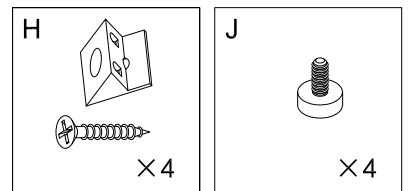
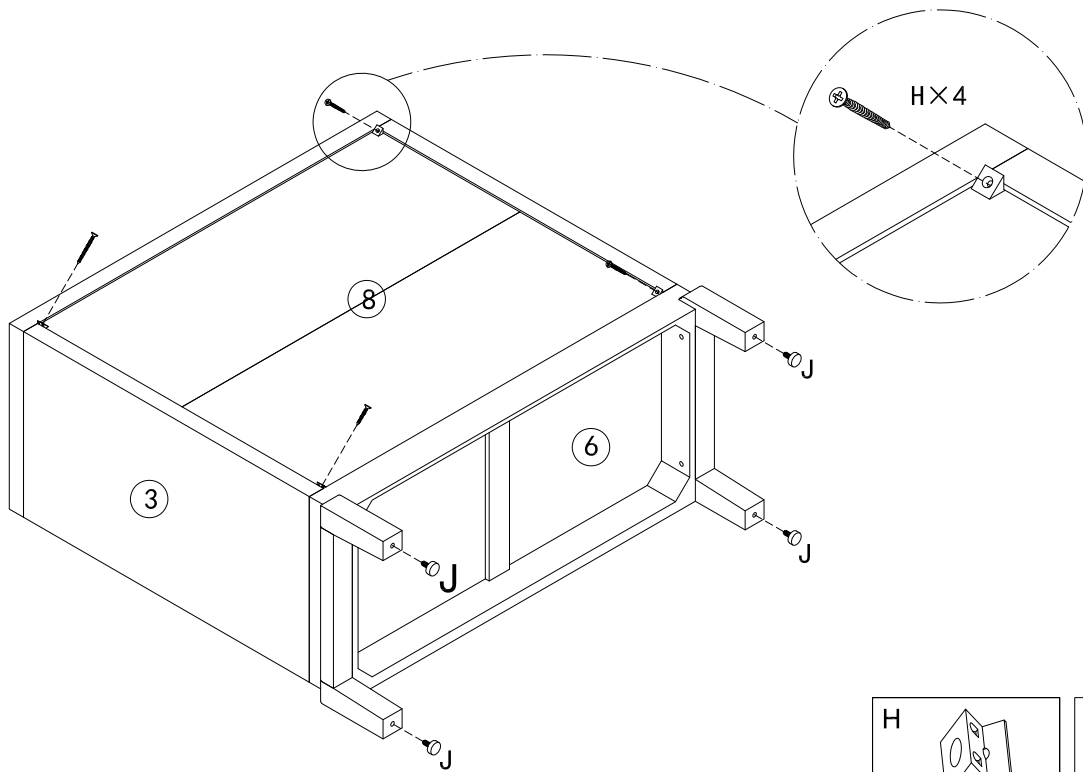
4



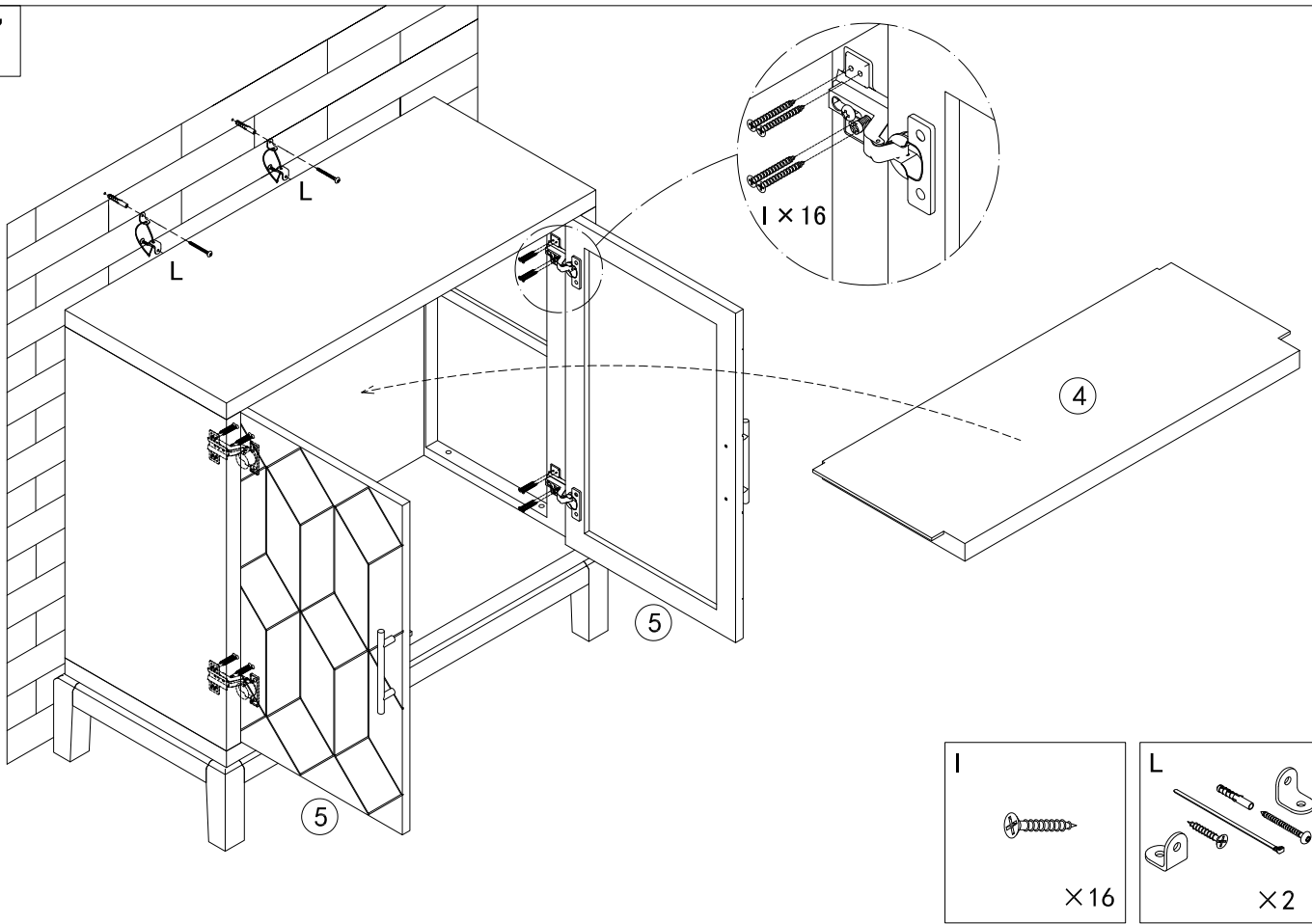
5



6



7



8

