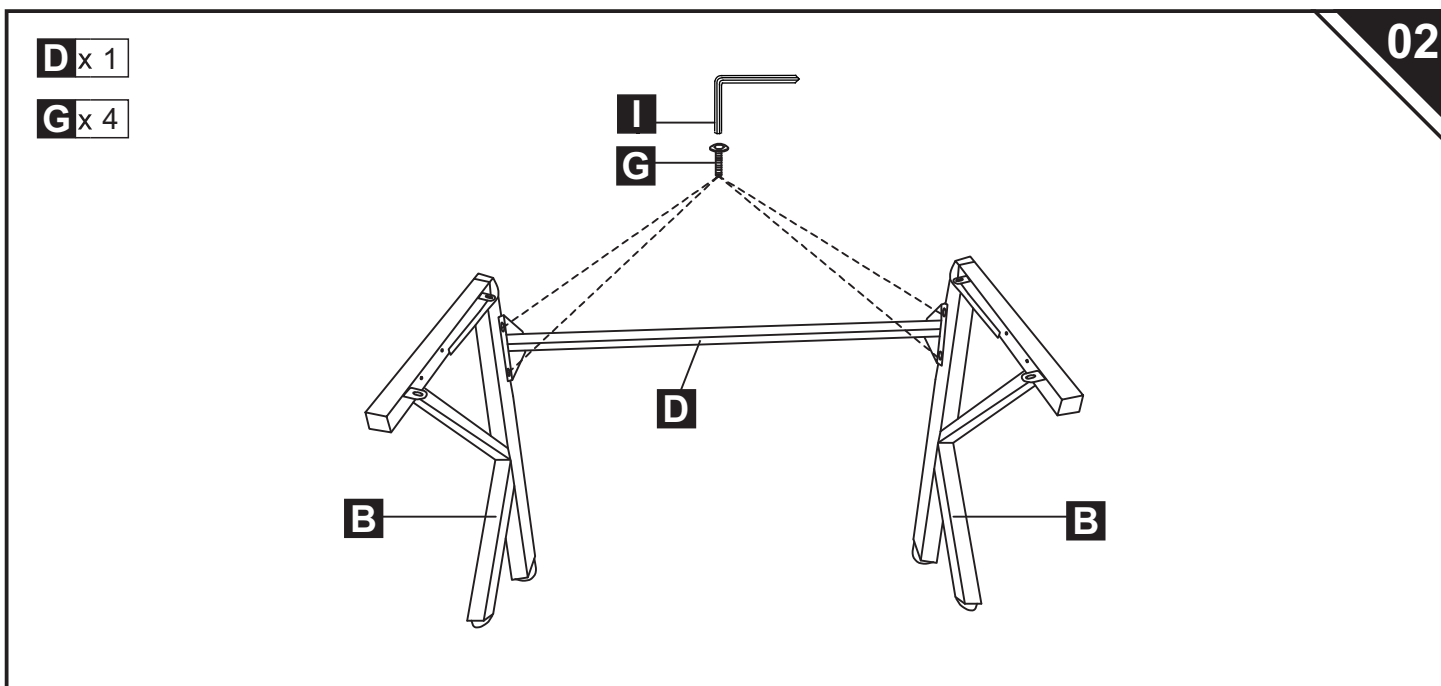
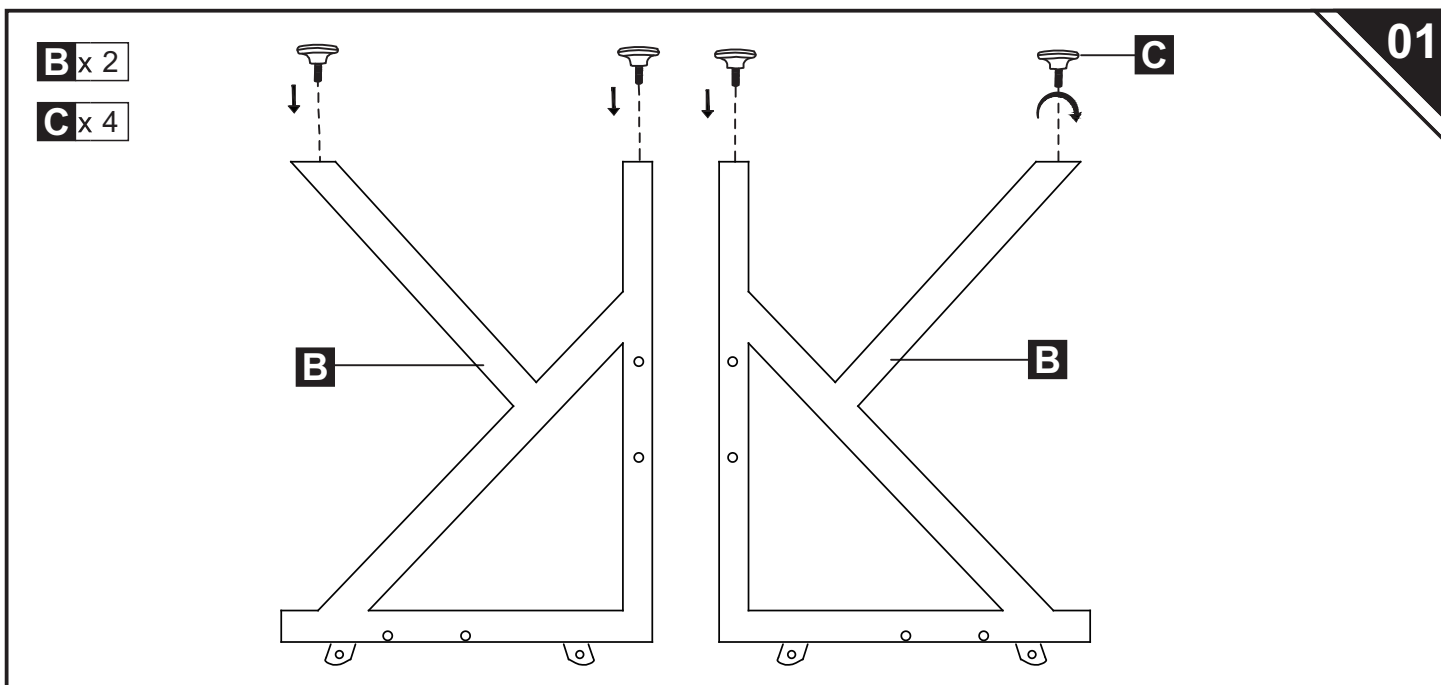
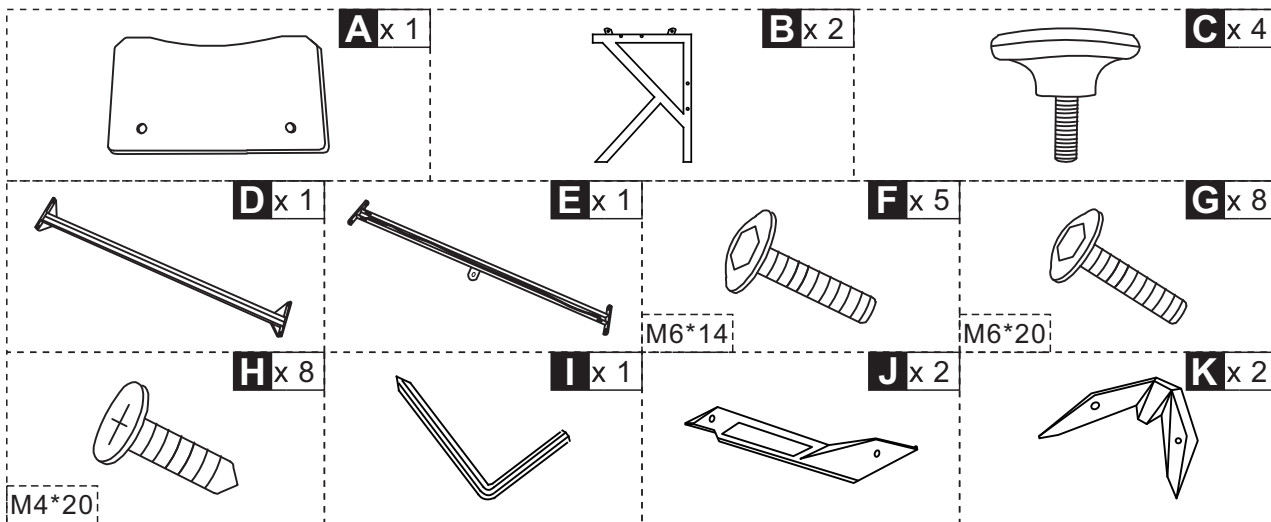


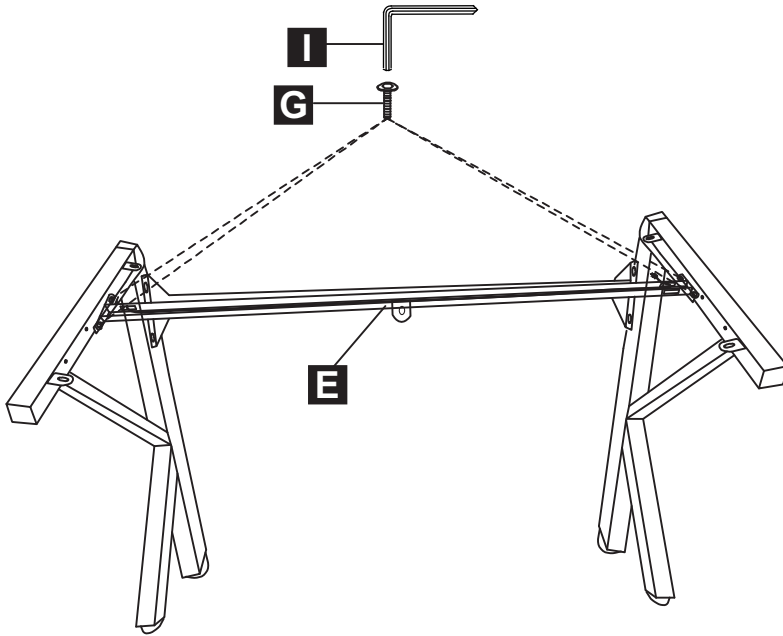
READ AND SAVE THIS INSTRUCTIONS FOR FUTURE USE

ASSEMBLY & INSTRUCTION MANUAL



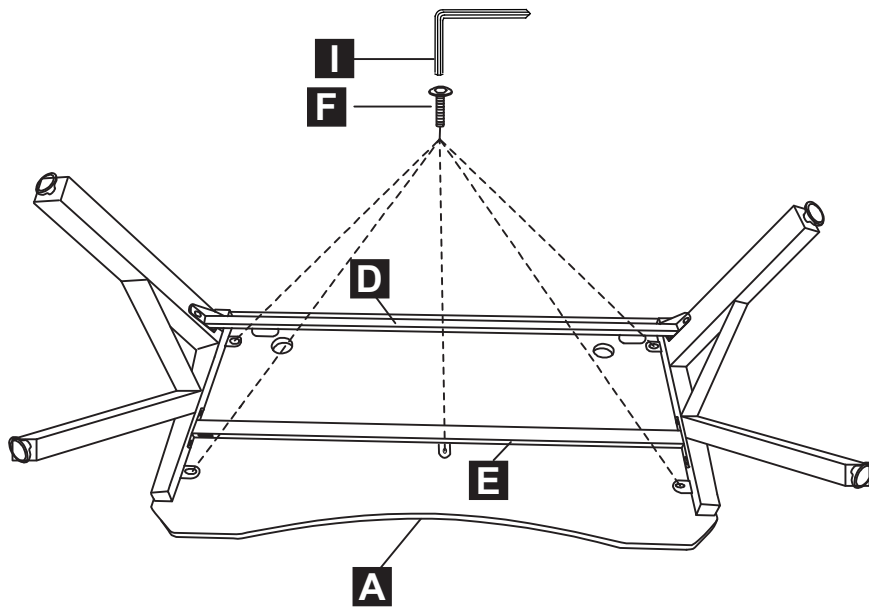
E x 1

G x 4



A x 1

F x 5



H x 8

J x 2

K x 2

