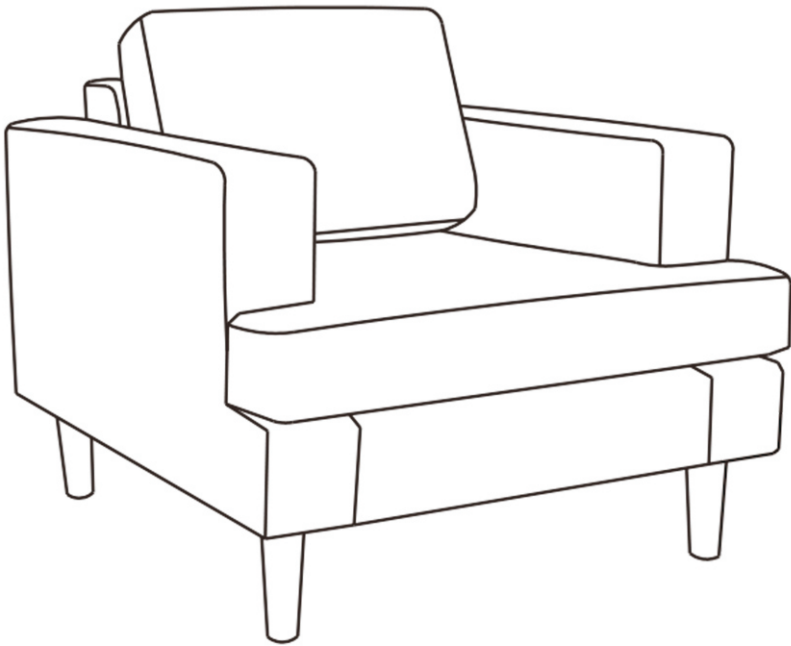
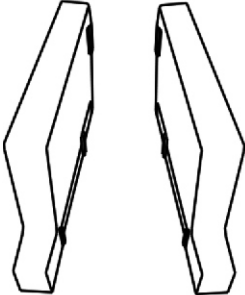


ASSEMBLING INSTRUCTION



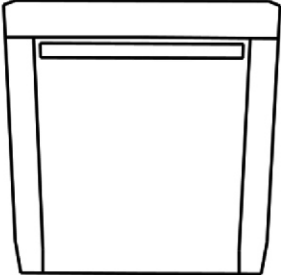
PARTS LIST

Ax2



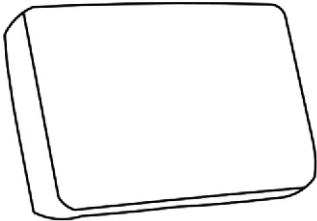
SIDES

Bx1



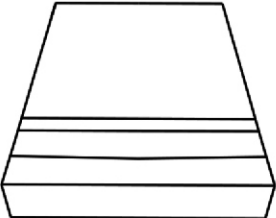
BACK

Cx1



BACK PILLOW

Dx1



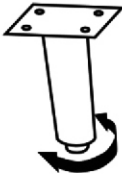
SEAT

Ex1



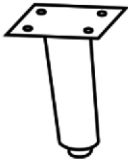
SEAT PILLOW

Fx2



Front leg
(Adjustable)

Gx2

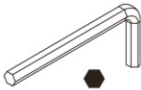


Rear leg

HARDWARE&TOOL LIST



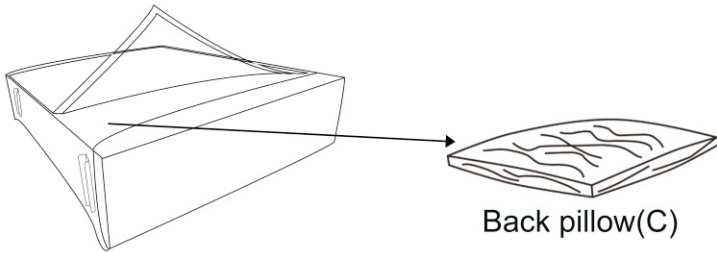
Hx16 Bolt (M6x20mm)



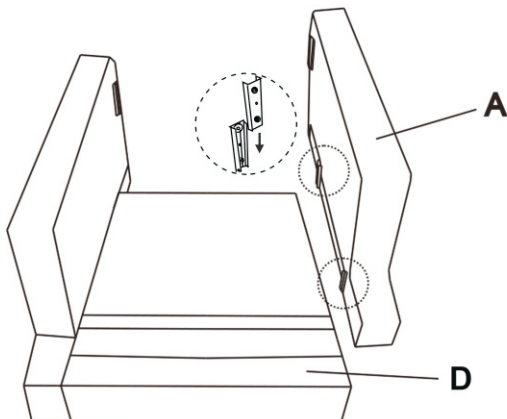
1x1 Allen key

Be sure to check all packing material fit the packing list. Carefully for small parts, which may have some loose inside the carton during shipment.

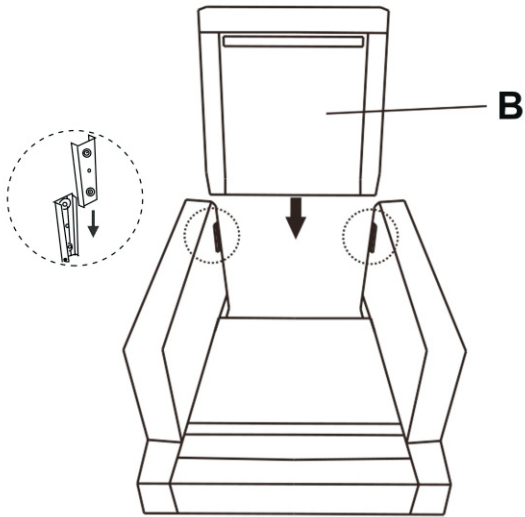
ASSEMBLY INSTRUCTIONS



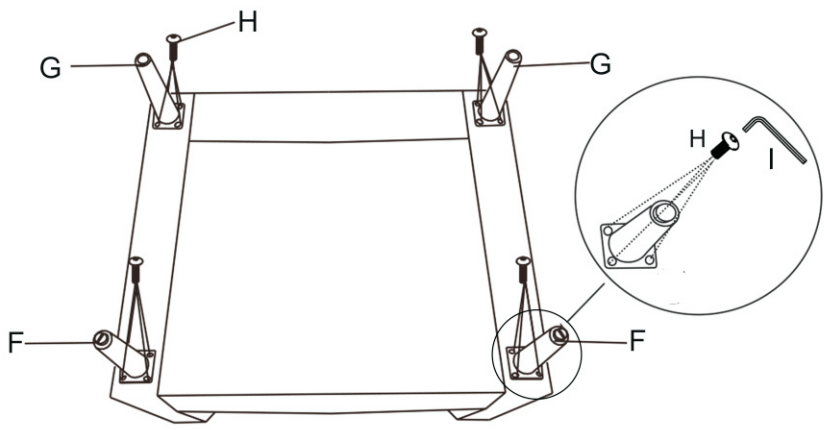
Remove the Velcro at the bottom of the seat cushion and remove the back pillow from inside.



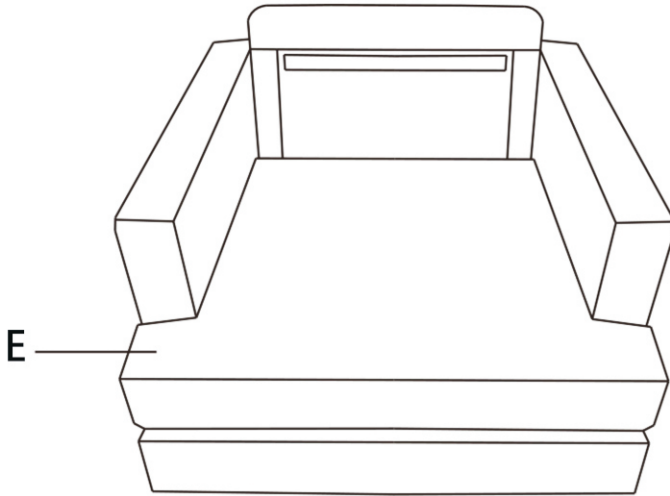
STEP 1: Attach seat(D) to sides(A) Insert both connectors at the same time, Push hard to connect fully.



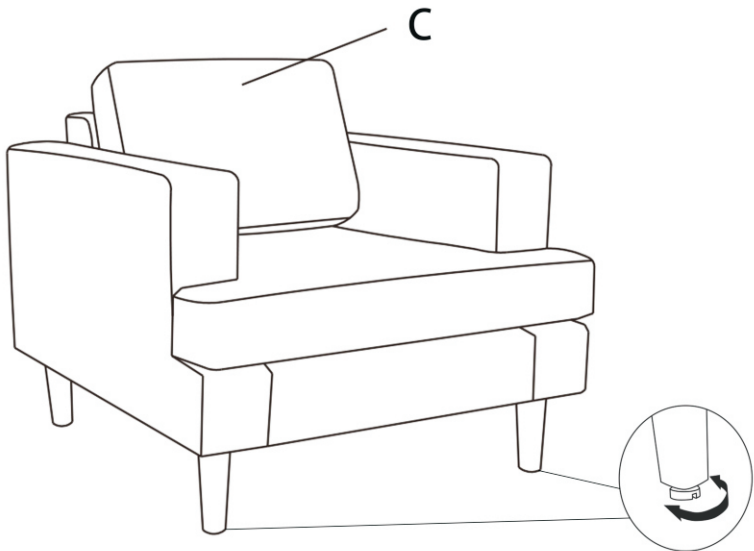
STEP 2: Attach back(B)to (A)&(D),Insert both connectors at the same time,Push hard to connect fully.



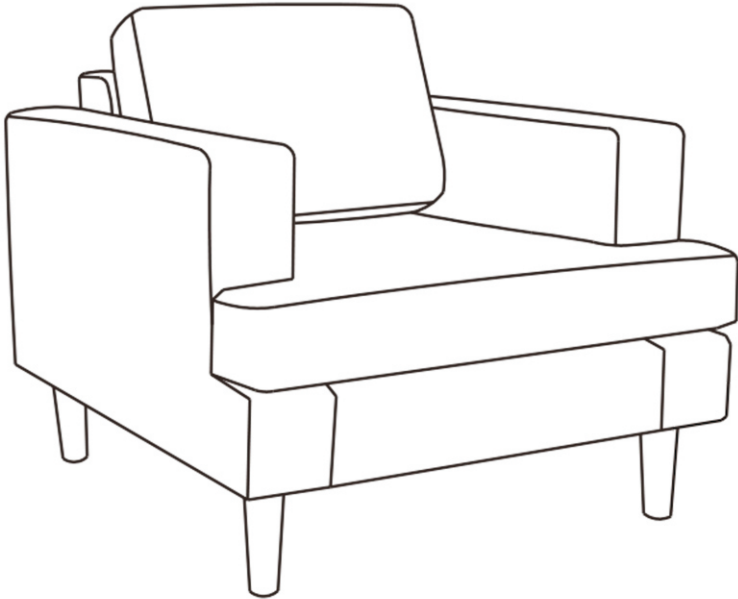
STEP 3:Attach legs(F,G)to bottom of armrests with bolts(H) and allen key(I). The foot pads on the front legs (F) are adjustable.



STEP 5 : Place seat pillow(E) on seat.



STEP 6 : Place back pillow(C) on backrest.



It will take a while for the cushions to expand. Normally it will take up to around 24 hours to expand to its full size.



If it is too wrinkled, please iron it with an ironer on low heat