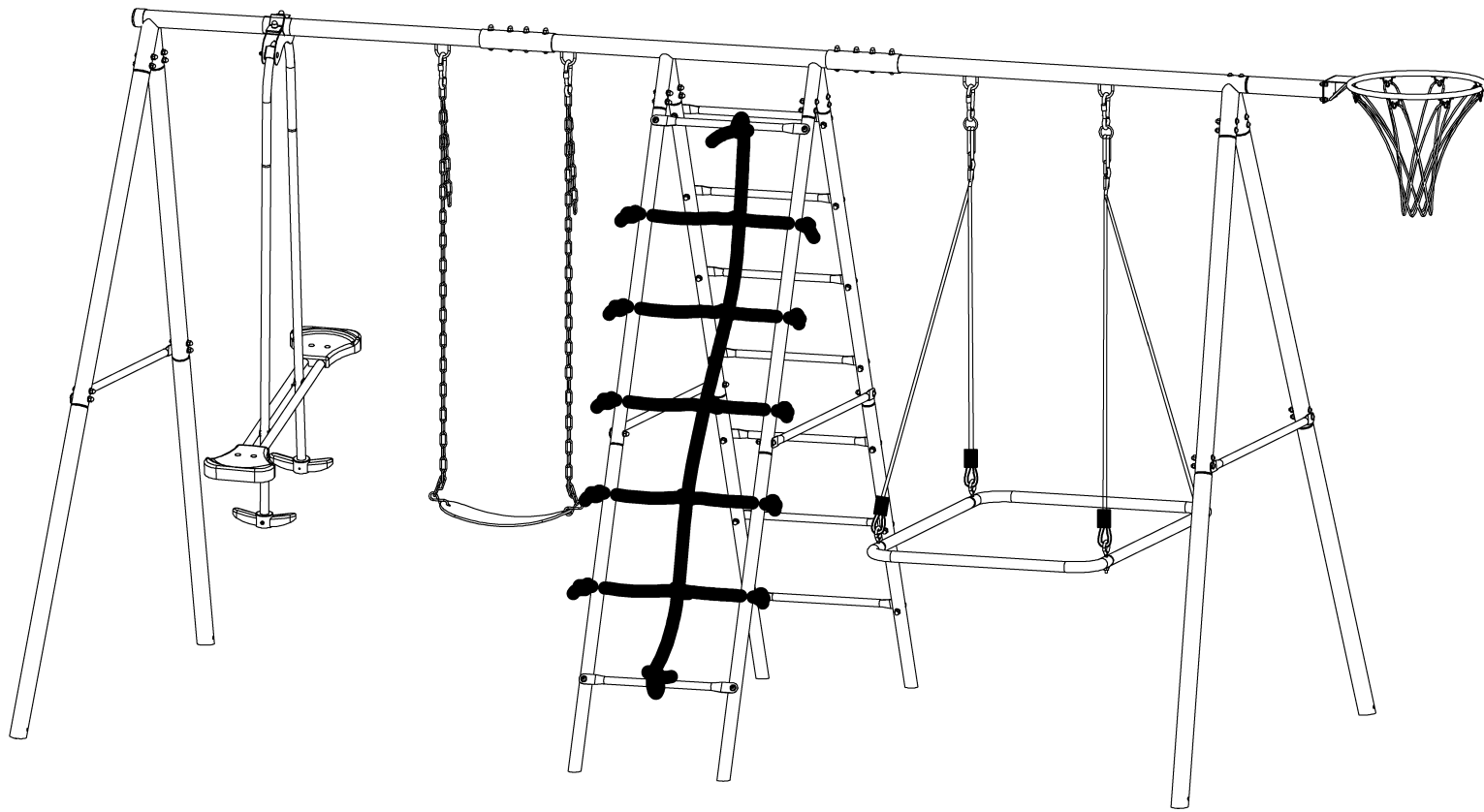







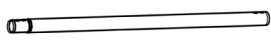
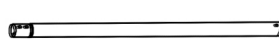

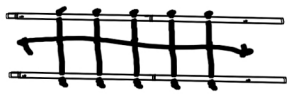
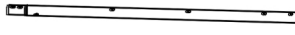
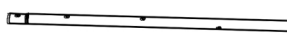
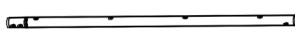
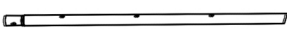
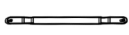
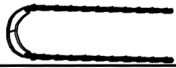






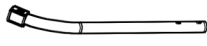
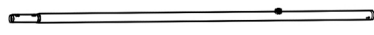
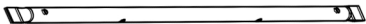





INSTALLATION MANUAL

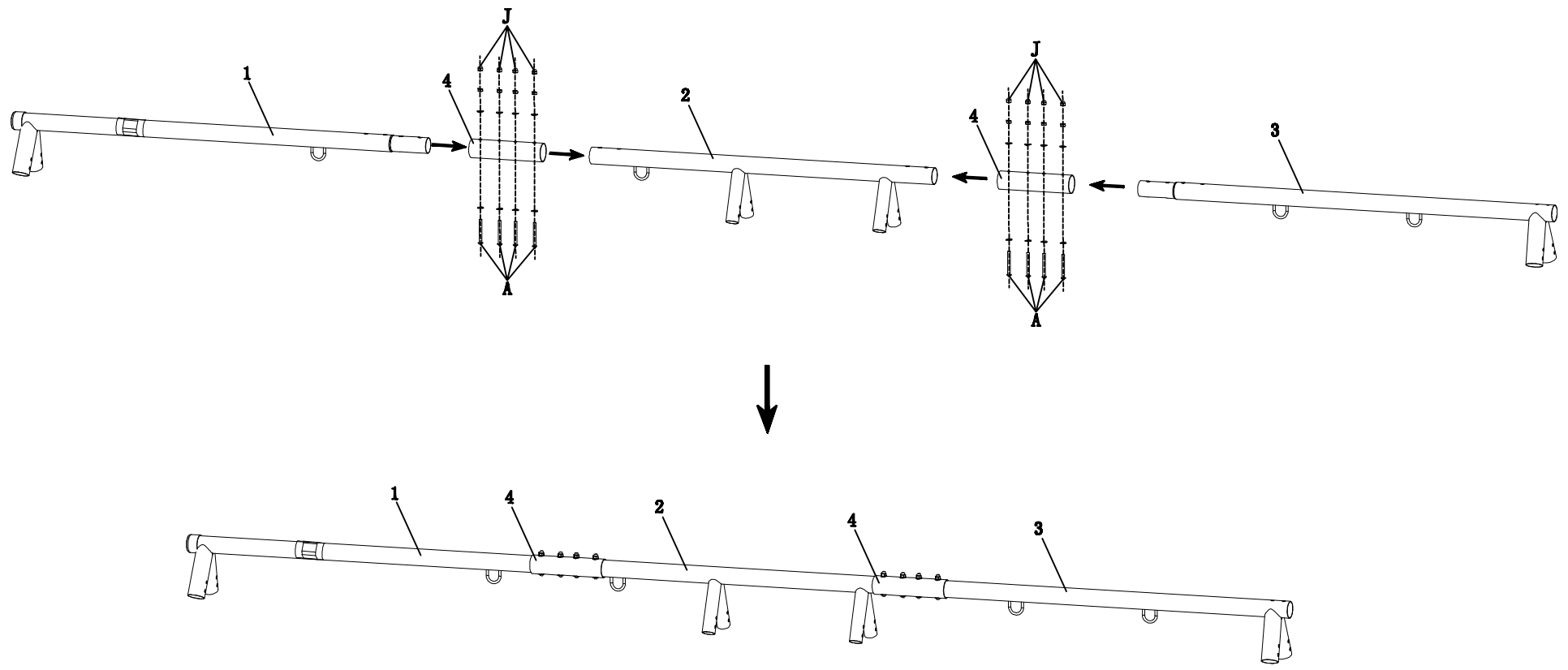
model: S026-D



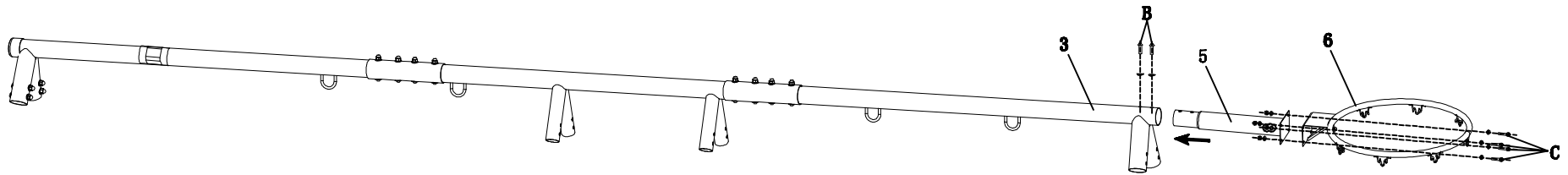
Part List

1			1	
2			1	
3			1	
4			2	
5			1	
6			1	
7			1	
8			4	
9			4	
10			4	
11	11A			2
	11B			2
12			2	
13			2	
14			9	
15			1	
16			1	
17			2	
18			2	
19			2	
20			1	
21			1	
22			1	
23			2	
24			2	
25			2	
26			2	
27			2	
28			4	

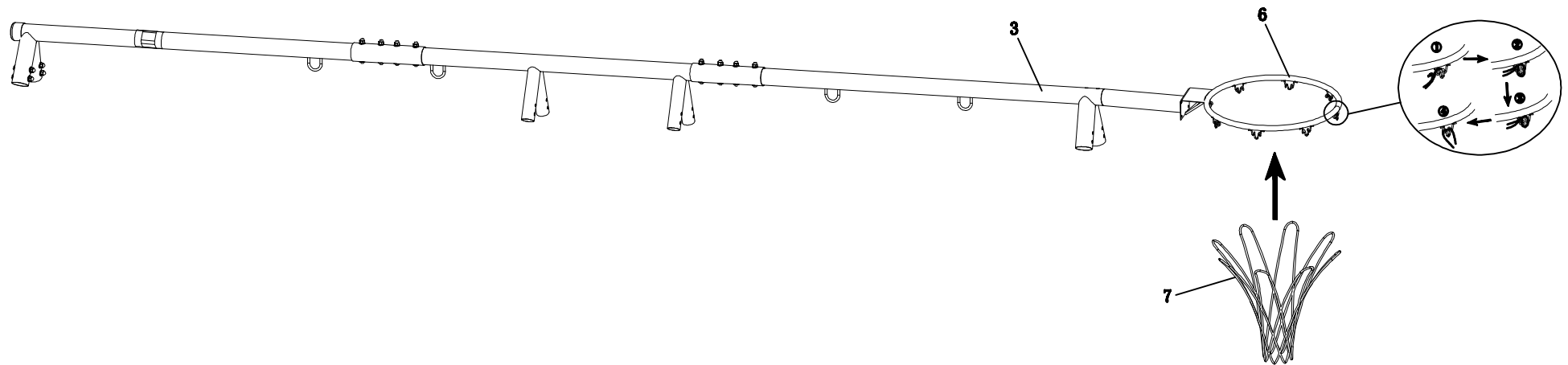
STEP1



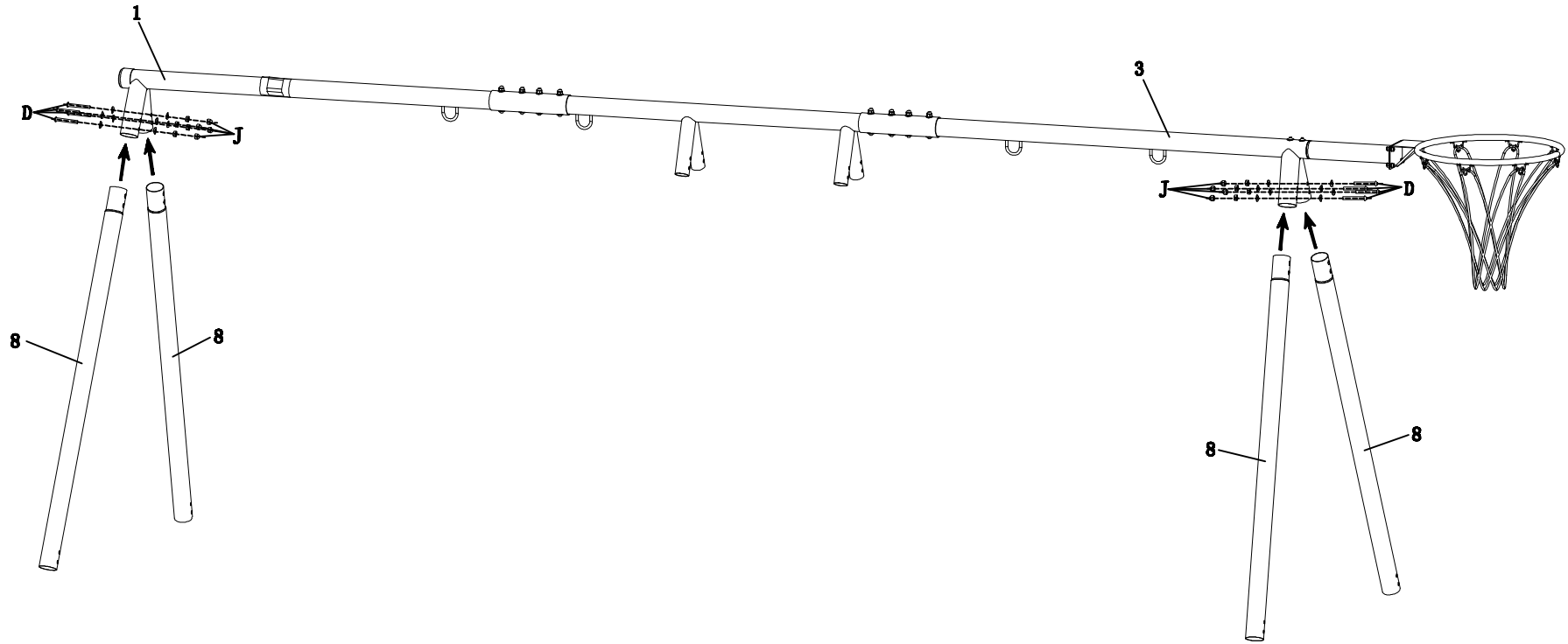
STEP 2



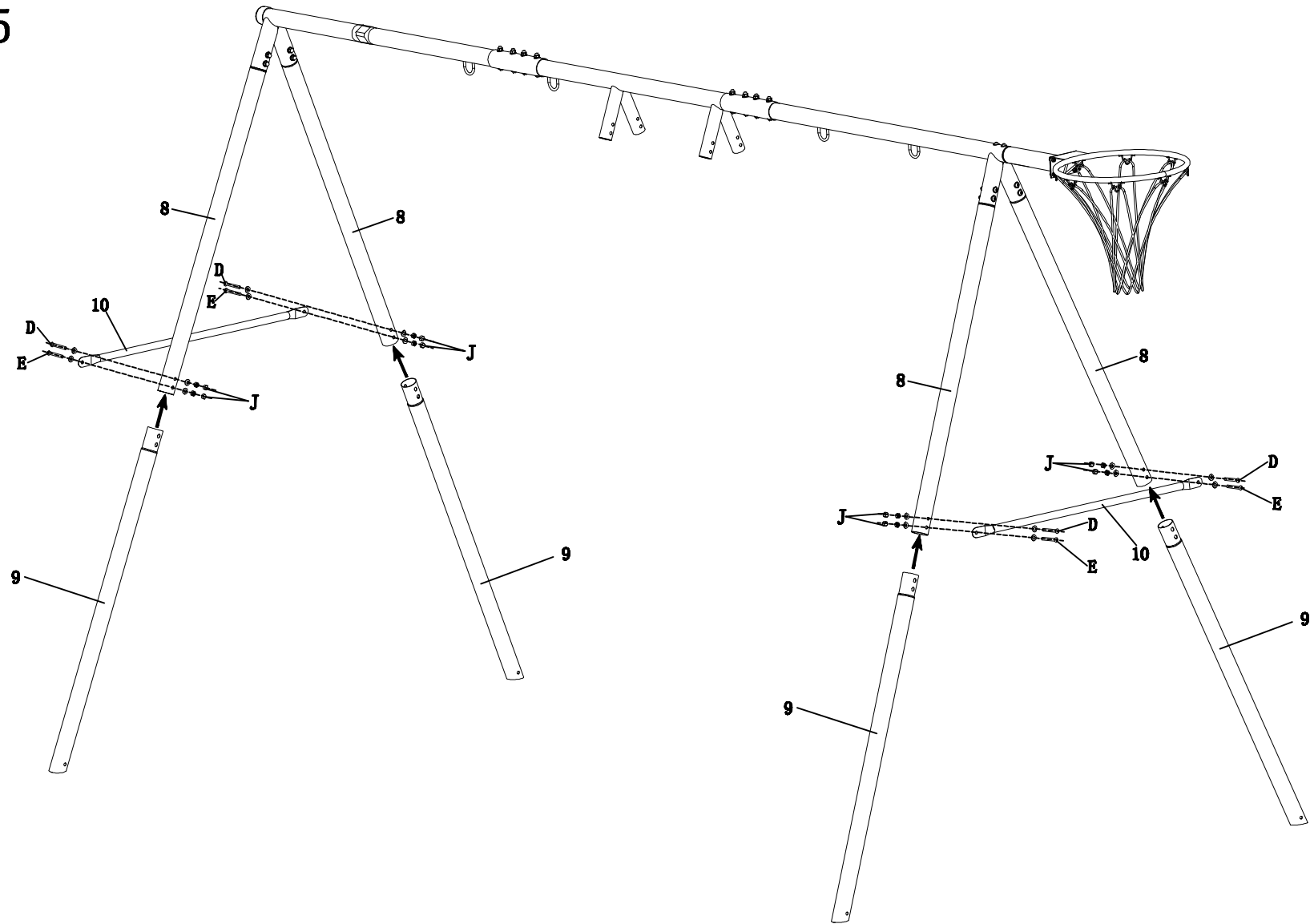
STEP 3



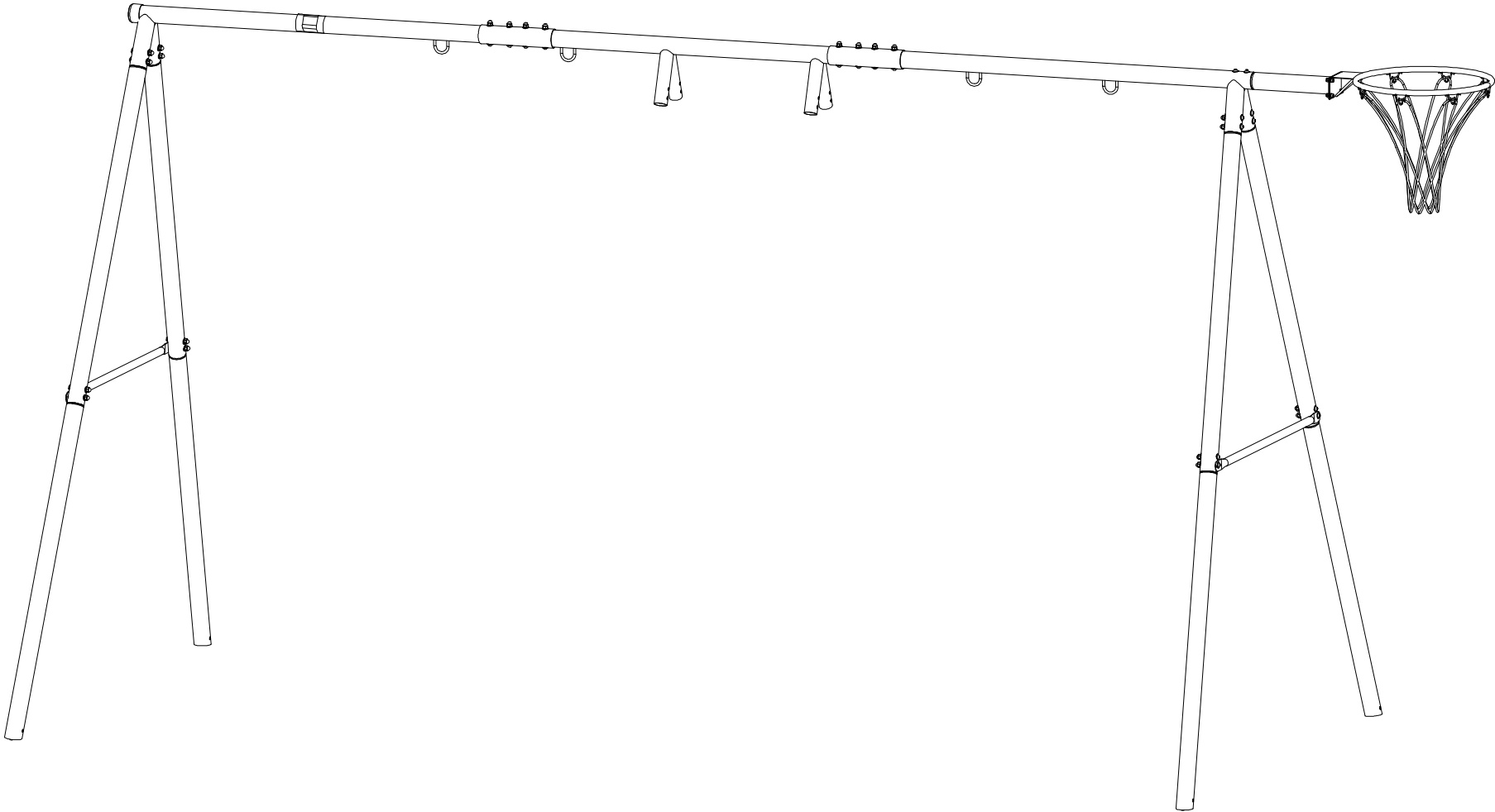
STEP 4



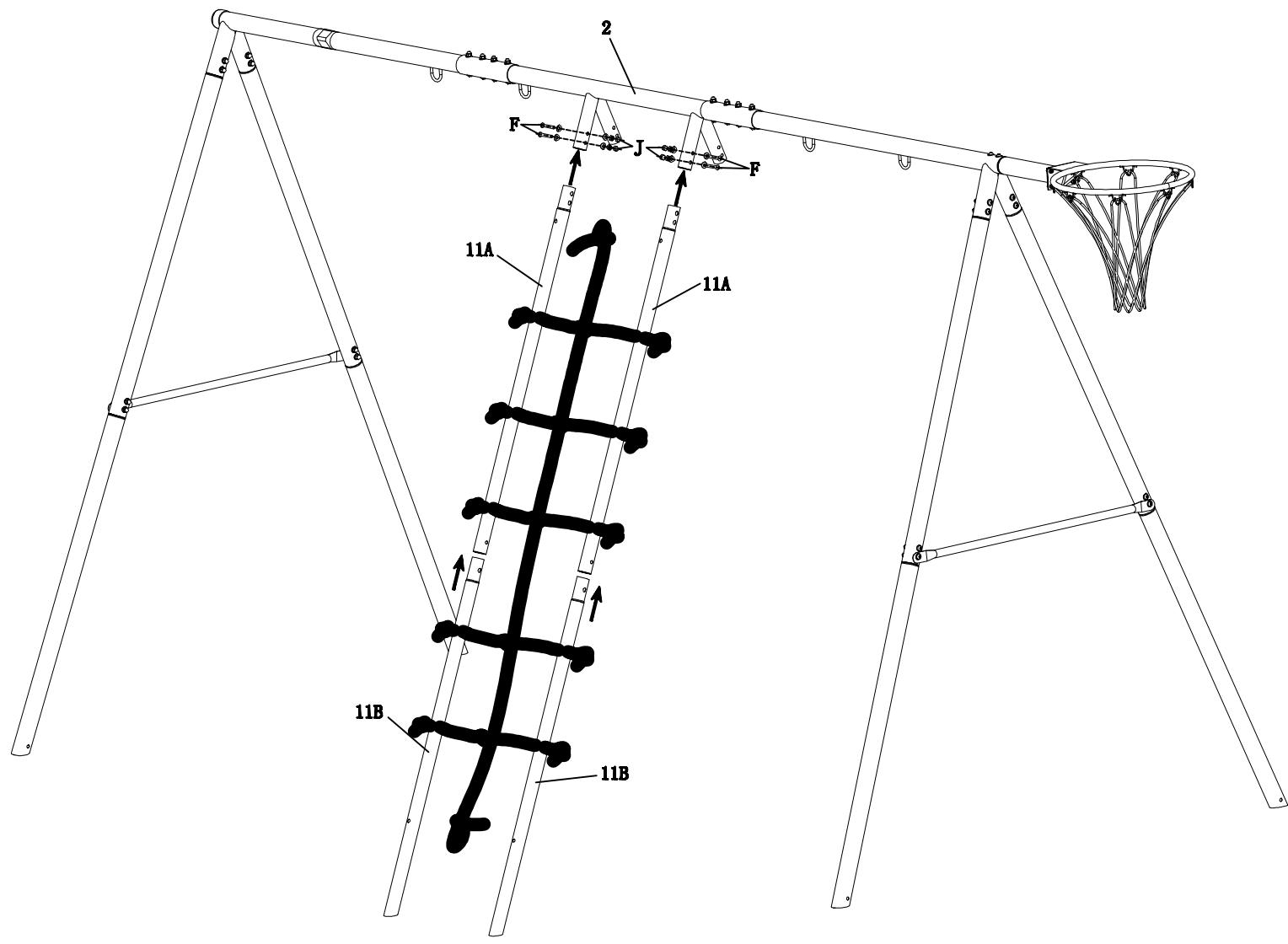
STEP 5



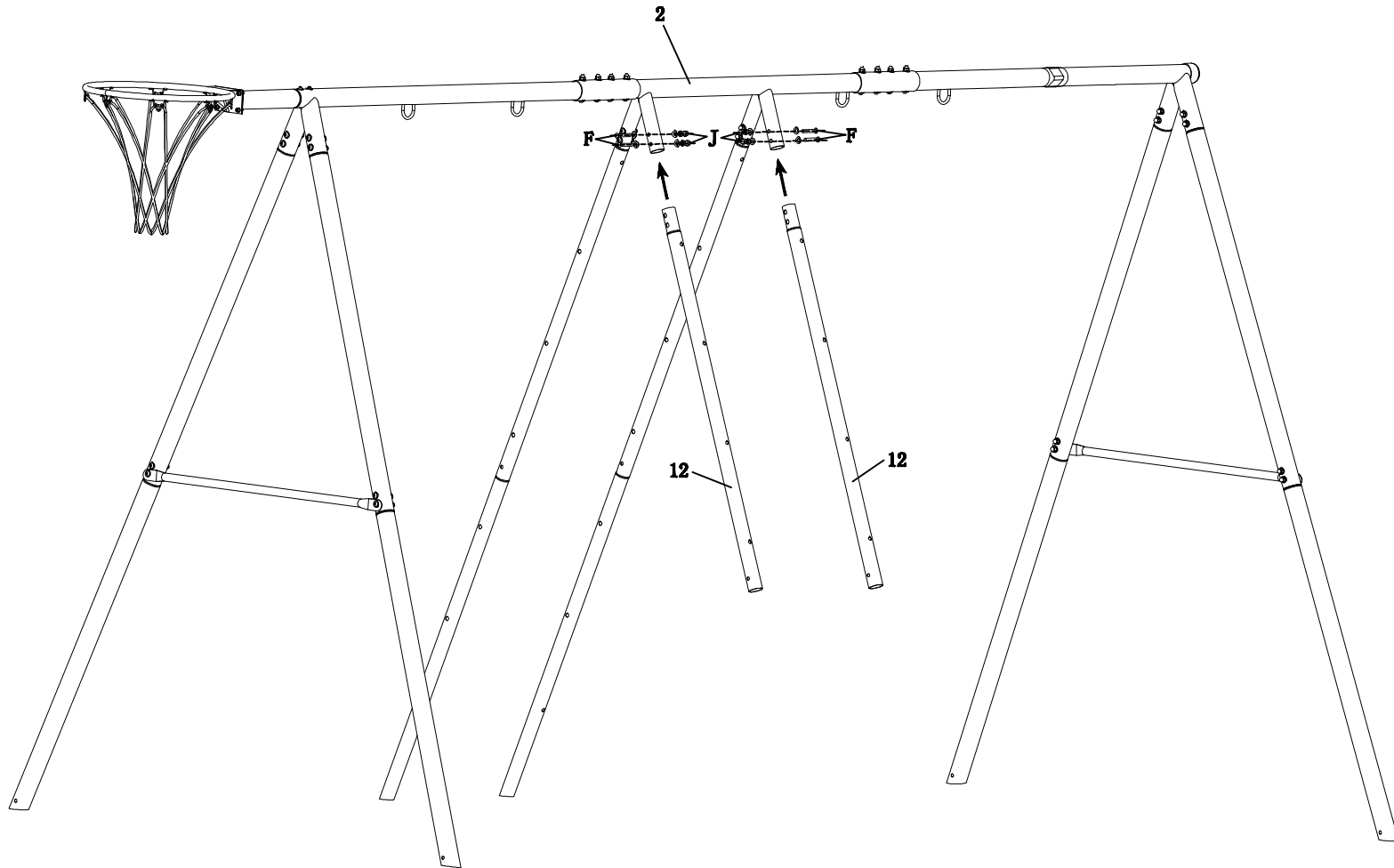
STEP 6



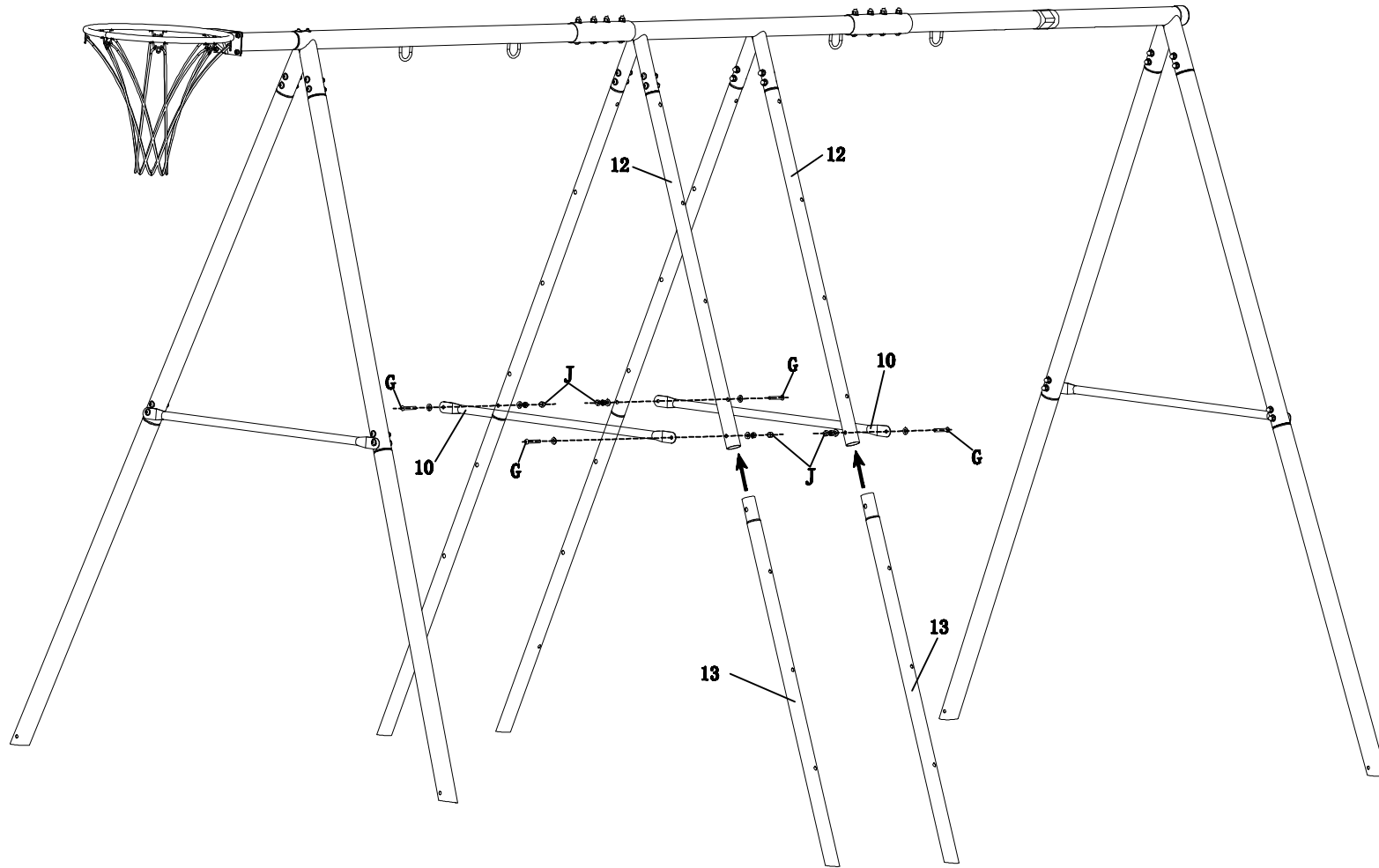
STEP 7



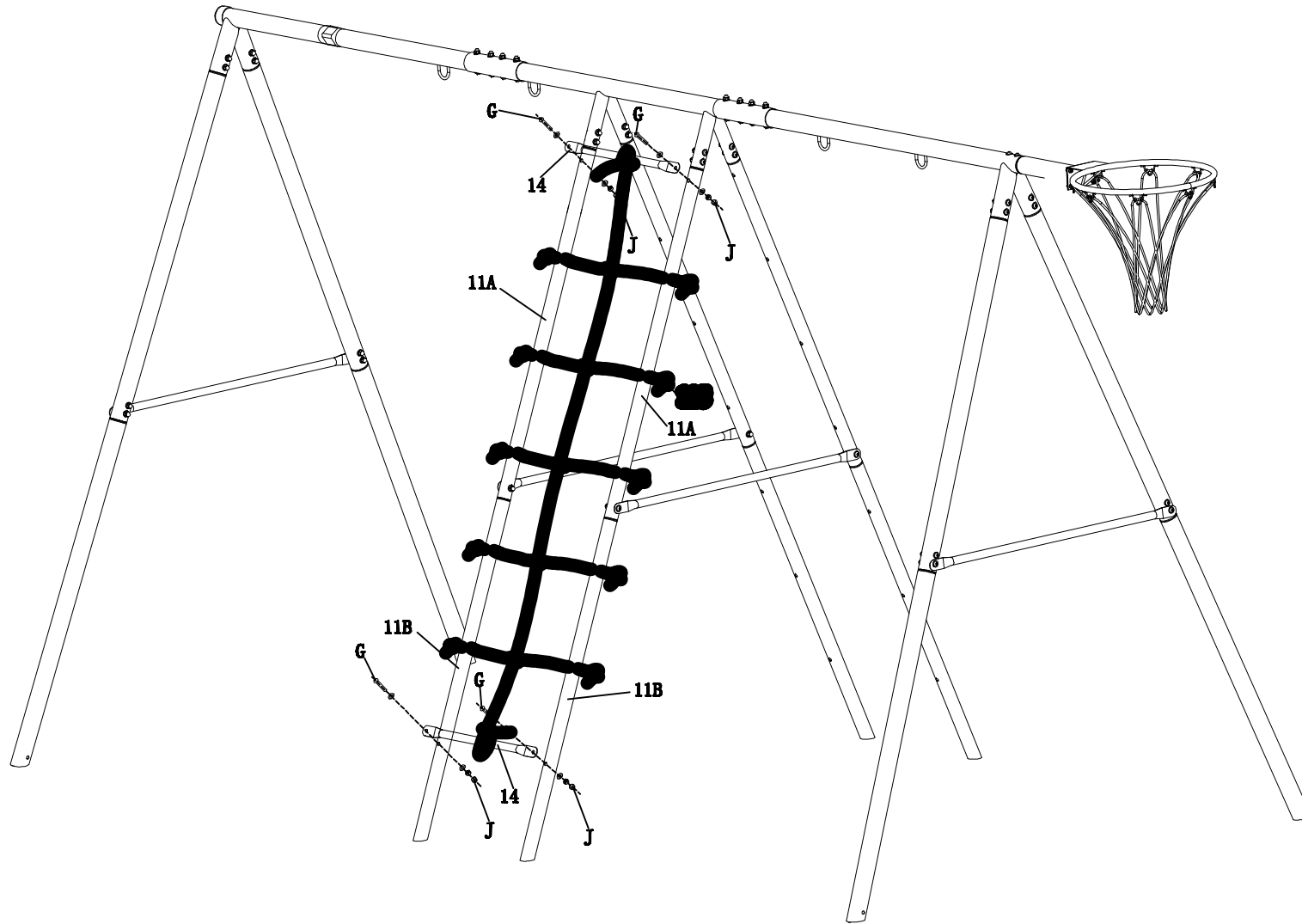
STEP 8



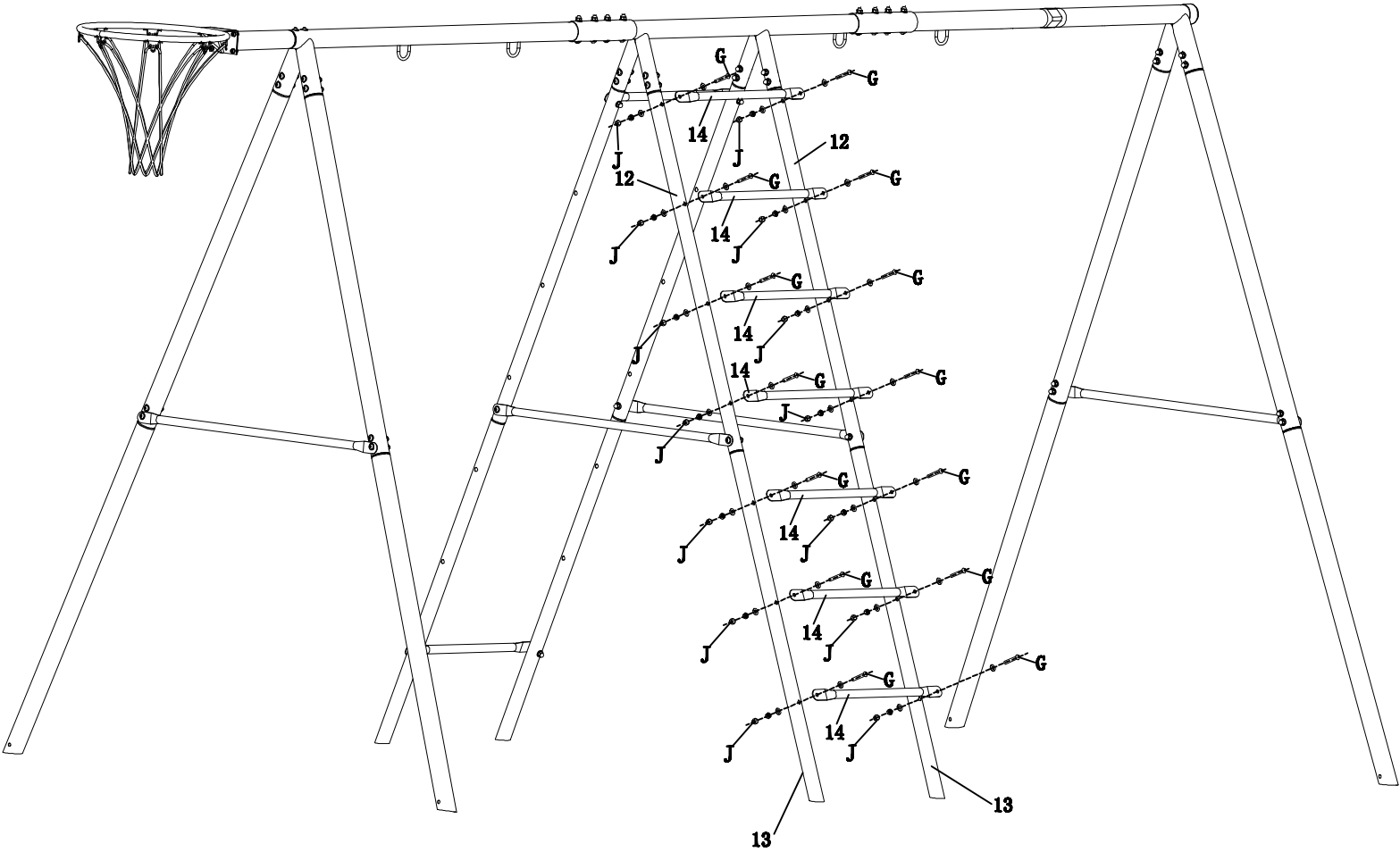
STEP 9



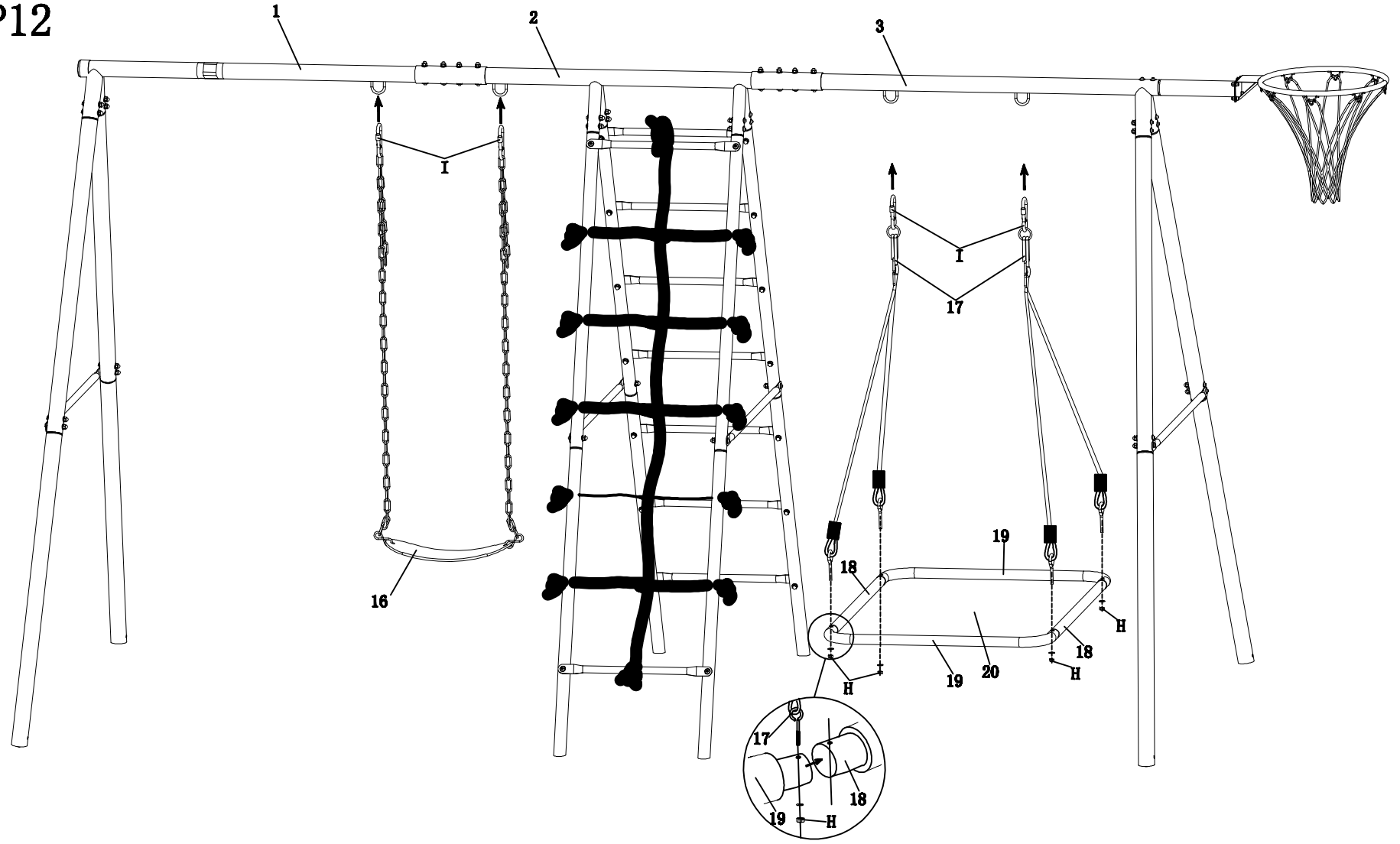
STEP10



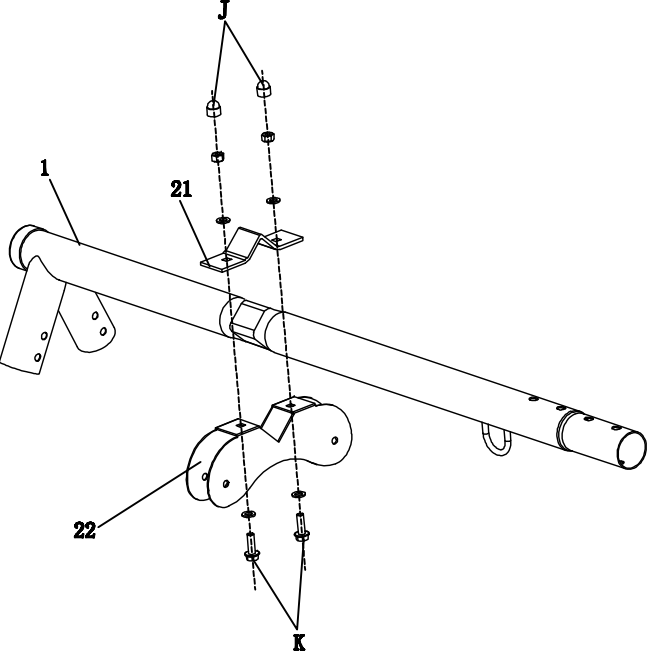
STEP 11



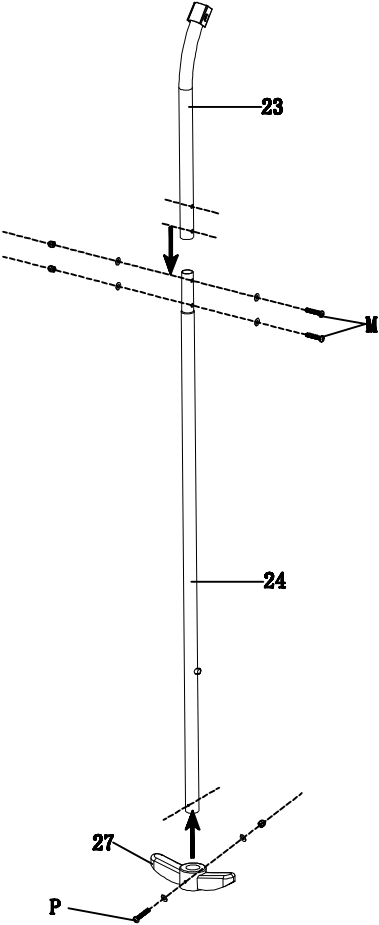
STEP 12



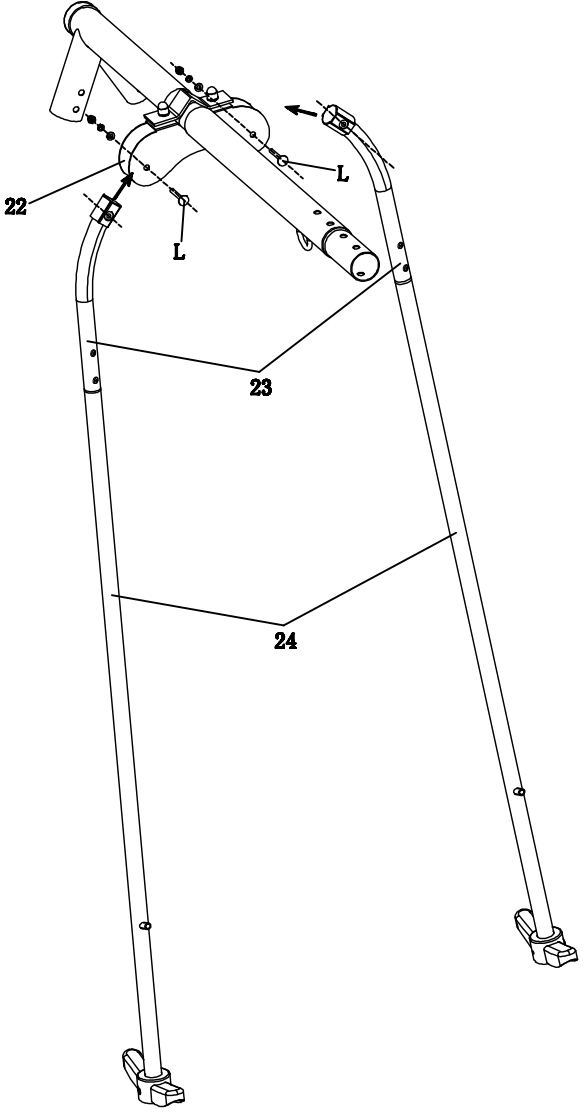
STEP13



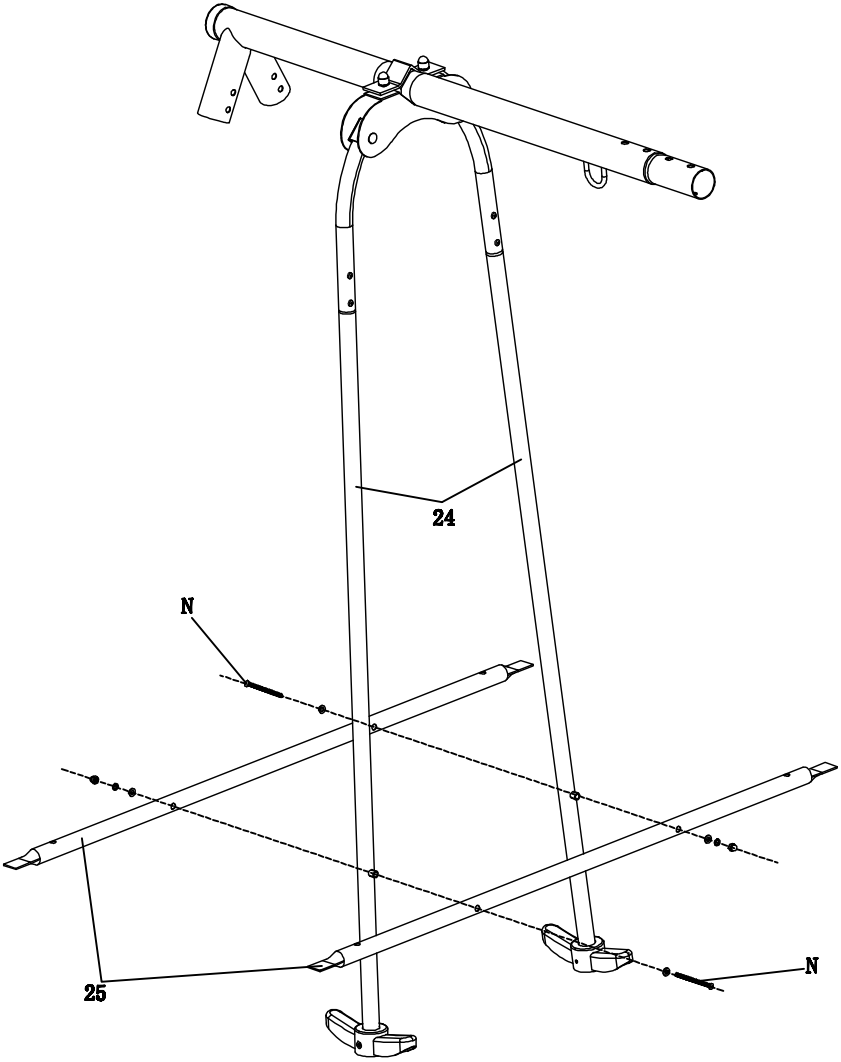
STEP14



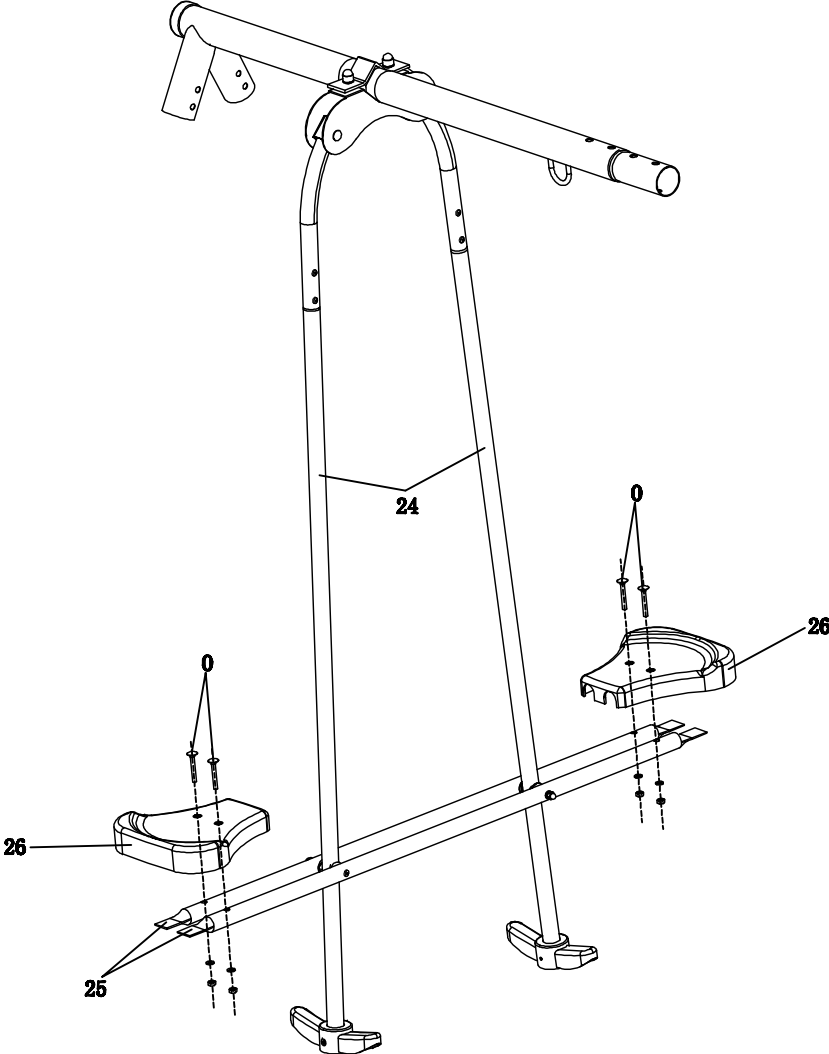
STEP15



STEP16



STEP17



STEP 18

