

WARNING!

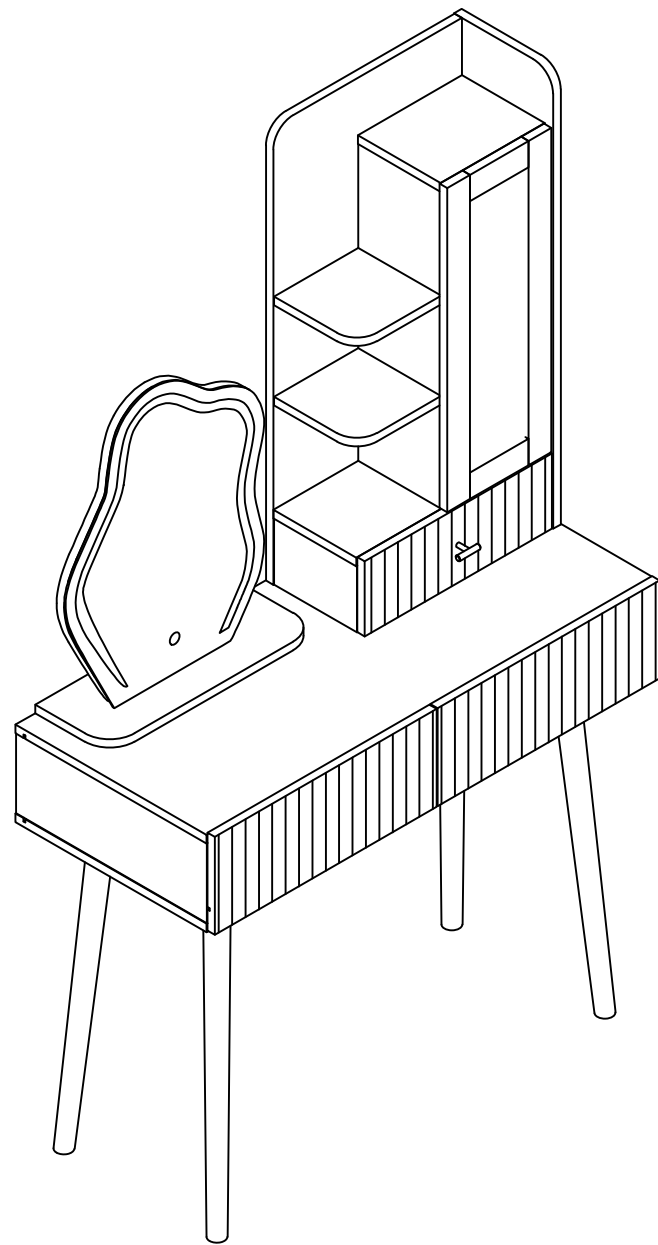
Children have died from furniture tipover. Fixed wall device have been included with this product;you must install the fixed wall device according to these instructions in order to minimize the risk of furniture.If you have any questions about this product or the Fixed wall device , please contact us immediately.

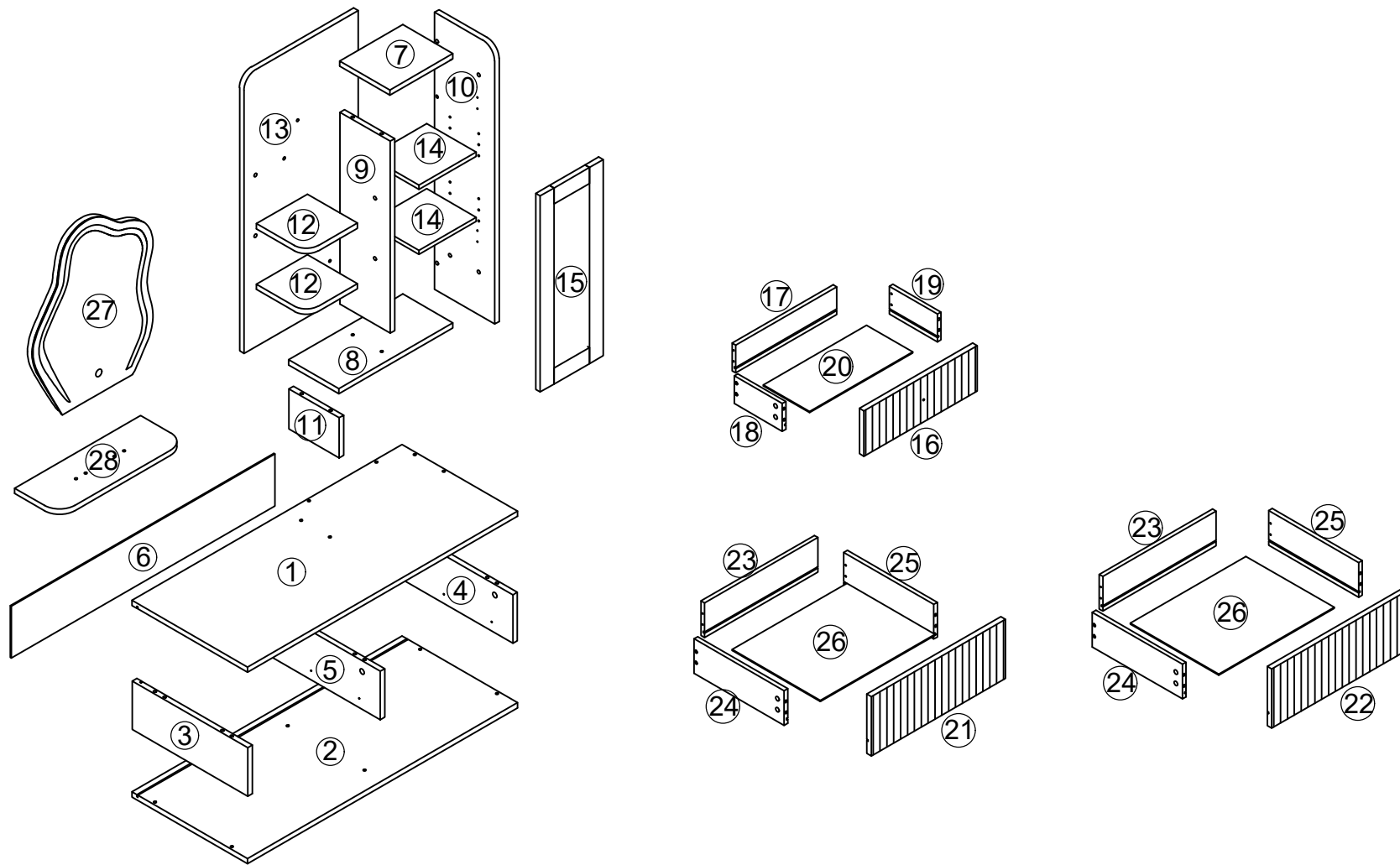
Never allow children to climb or hang on furniture,including drawers or cabiner doors.



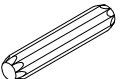

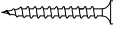





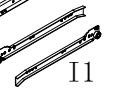

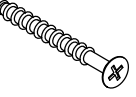


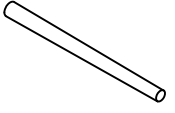

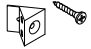
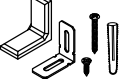
In addition to installing the restrains,to help prevent tip-over.

1. Never put a TV or other heavy objects on top of this product.
2. Do not stand on the product.

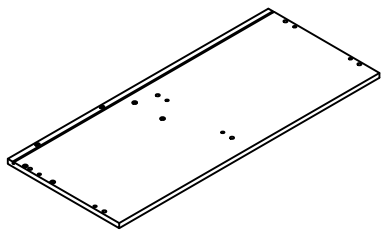
! WARNING	
	Children have died from furniture tipover. To reduce the risk of furniture tipover: <ul style="list-style-type: none">• ALWAYS install tipover restraint provided.• NEVER put a TV on this product.• NEVER allow children to stand, climb or hang on drawers, doors, or shelves.• NEVER open more than one drawer at a time.• Place heaviest items in the lowest drawers.• Do not defeat or remove the drawer interlock system. <p><i>This is a permanent label. Do not remove!</i></p>
	





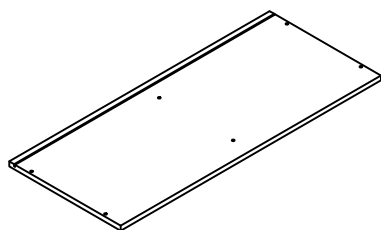
<p>A</p>  <p>21PCS</p>	<p>B</p>  <p>21PCS</p>	<p>C</p> <p>8*40</p>  <p>10PCS</p>	<p>D</p> <p>3.5*12</p>  <p>48PCS</p>	<p>E</p> <p>3.5*30</p>  <p>12PCS</p>	<p>F</p>  <p>2PCS</p>	<p>G</p> <p>G1</p>  <p>G2</p>  <p>12PCS</p>	<p>H</p>  <p>8PCS</p>	<p>I</p> <p>300mm</p> <p>I2</p>  <p>I1</p>  <p>2PCS</p>	<p>J</p> <p>7*40</p>  <p>4PCS</p>
<p>K</p> <p>7*50</p>  <p>18PCS</p>	<p>L</p>  <p>1PCS</p>	<p>M</p> <p>4*20</p>  <p>1PCS</p>	<p>N</p>  <p>4PCS</p>	<p>O</p>  <p>4PCS</p>	<p>P</p>  <p>6PCS</p>	<p>Q</p>  <p>2PCS</p>			

1



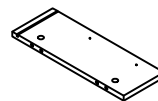
900*385 1PS

2



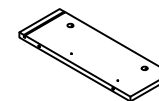
900*385 1PS

3



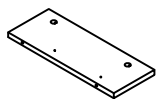
140*385 1PS

4



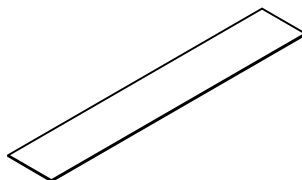
140*385 1PS

5



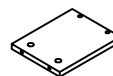
140*365 1PS

6



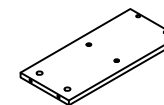
150*878 1PS

7



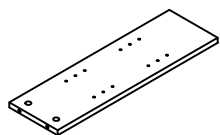
210*167 1PS

8



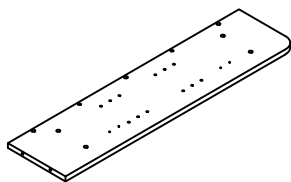
380*167 1PS

9



554*167 1PS

10



800*200 1PS

11



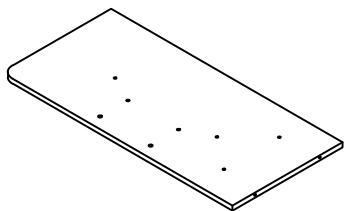
116*167 1PS

12



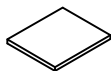
170*167 2PS

13



800*380 1PS

14



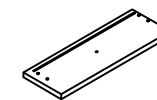
191*165 2PS

15



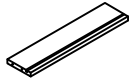
566*210 1PS

16



377*131 1PS

17



337*80 1PS

18



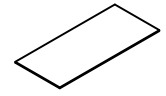
160*80 1PS

19



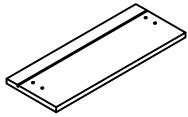
160*80 1PS

20



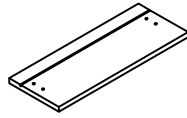
344*154 1PS

21



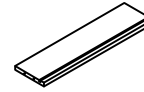
447*171 1PS

22



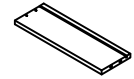
447*171 1PS

23



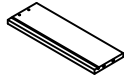
377.5*100 2PS

24



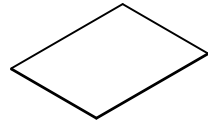
300*100 2PS

25



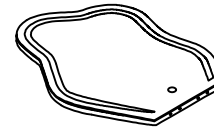
300*100 2PS

26



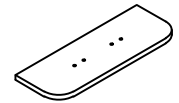
385*294 2PS

27



520*400 1PS

28



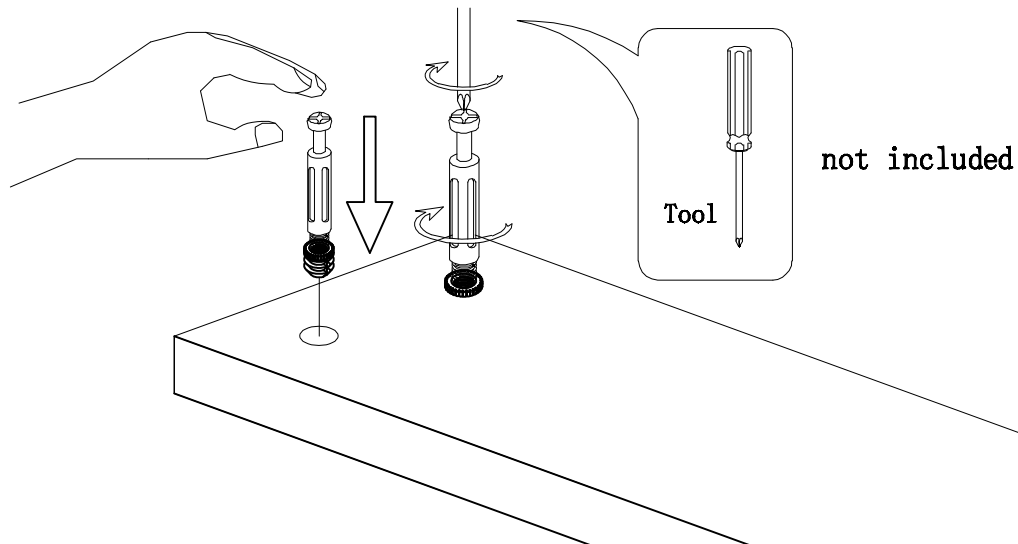
420*150 1PS



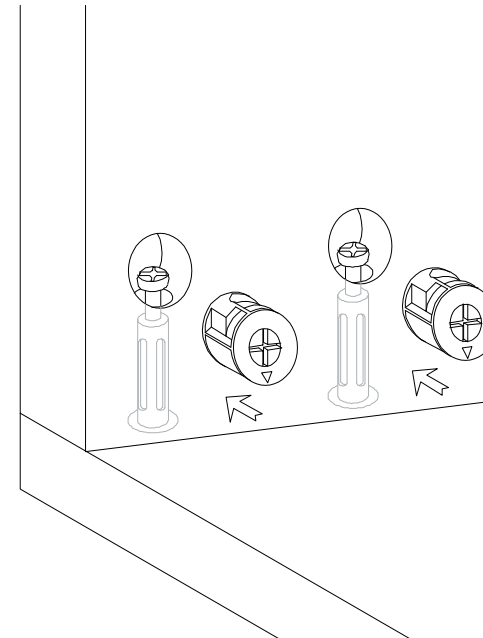
Hardware installation demonstration

NOTE: Please make sure "A" hardware tightened and can't be pulled out!

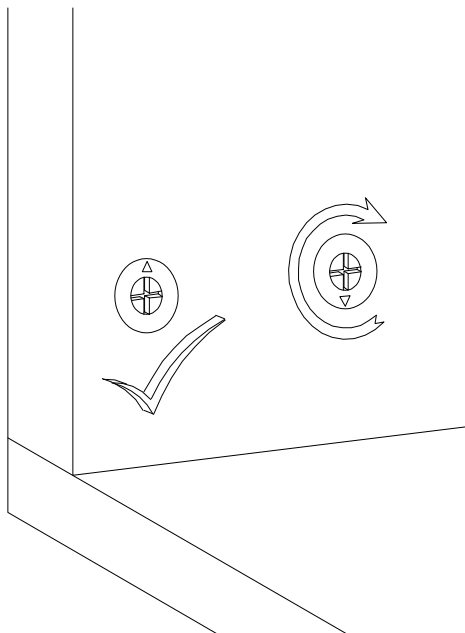
I



II



III

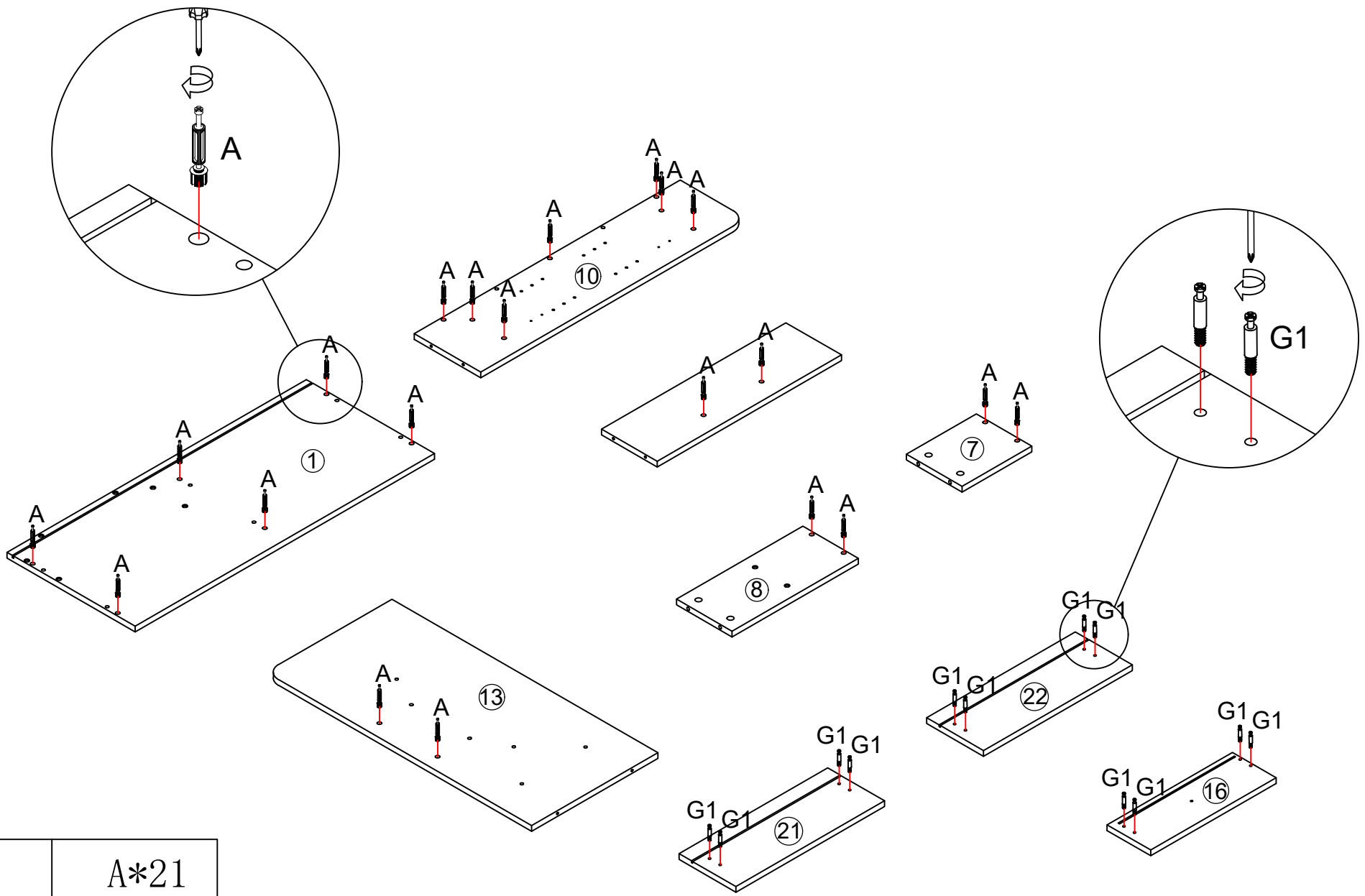




IV



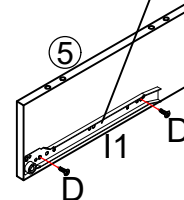
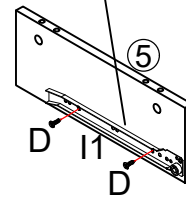
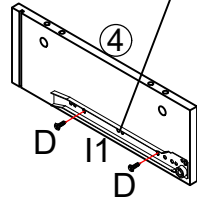
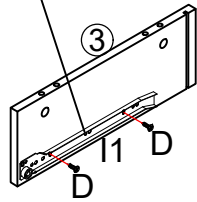
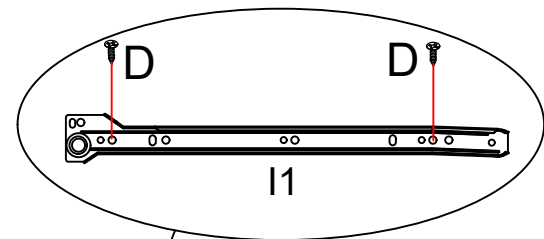
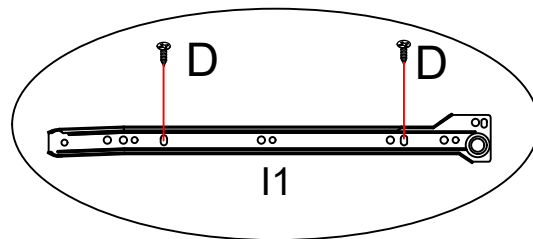
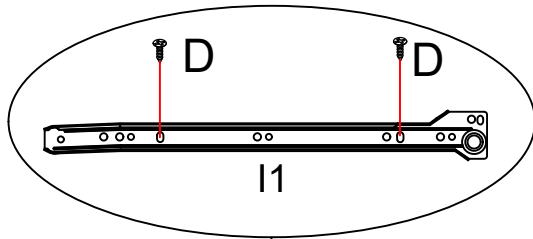
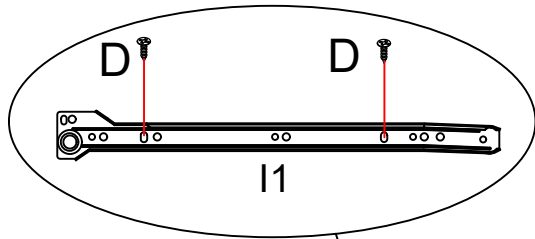
Scan QR code for assembly video

1

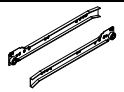


	A*21
	G1*12

2



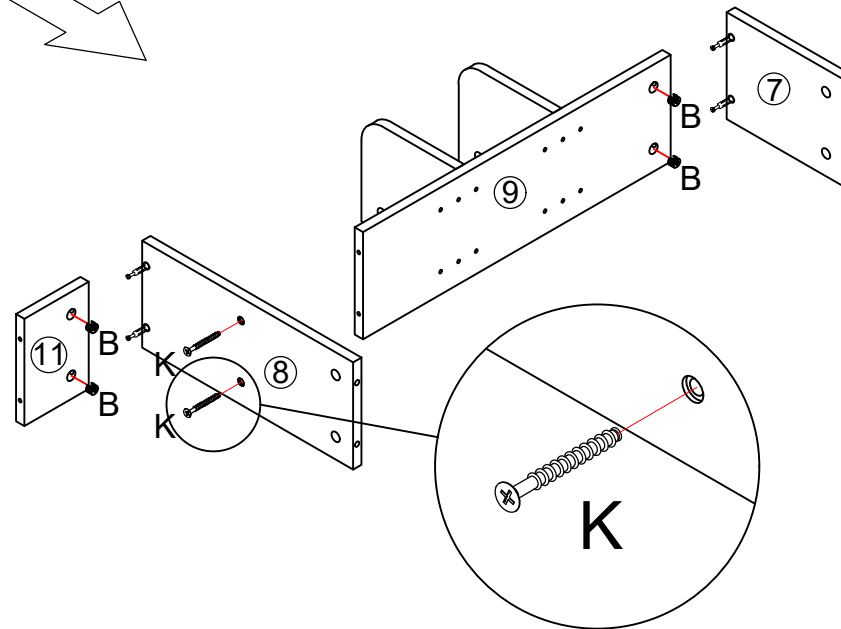
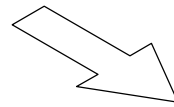
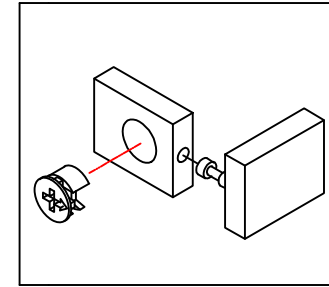
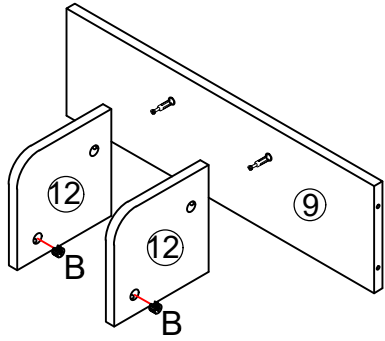
D*8



I1*2

3

Make sure the arrow on the screw align to the hole on the side.

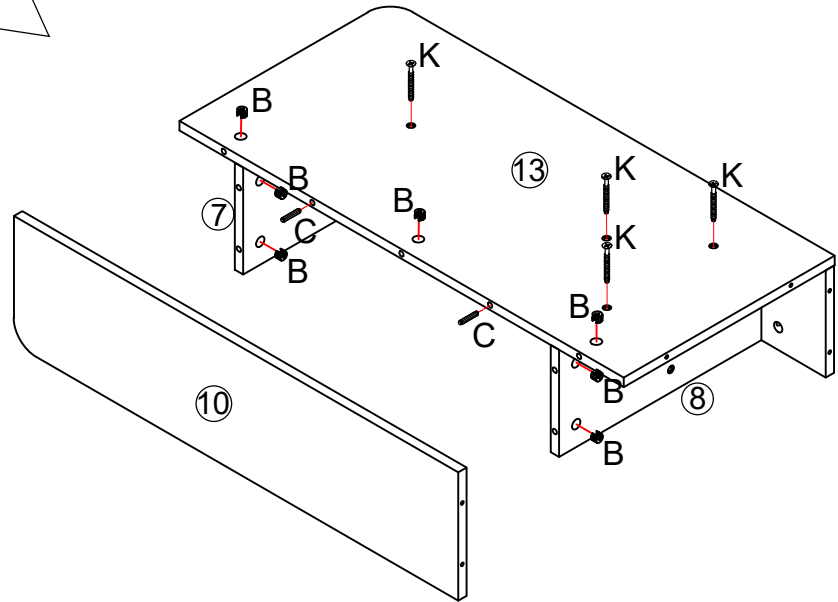
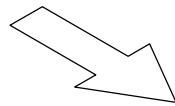
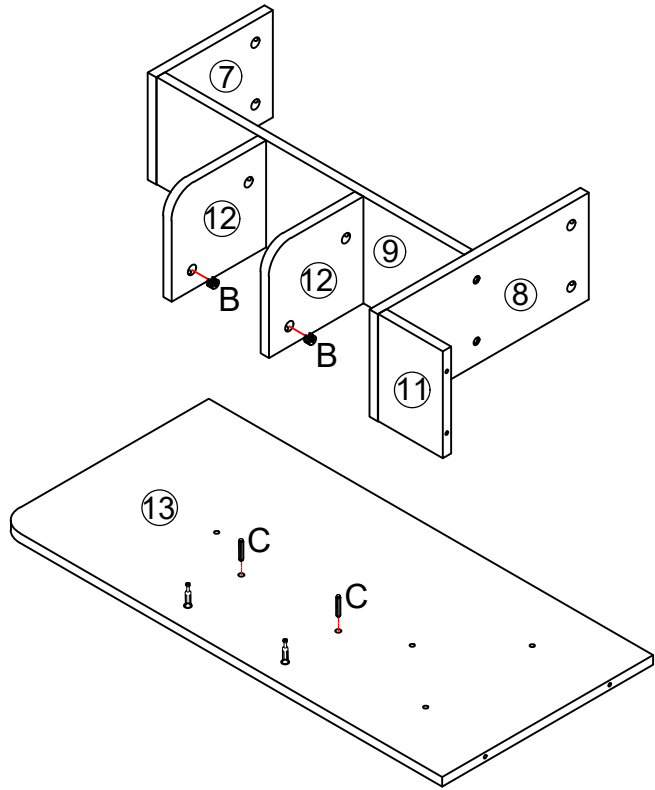


B*6



K*2

4



B*9

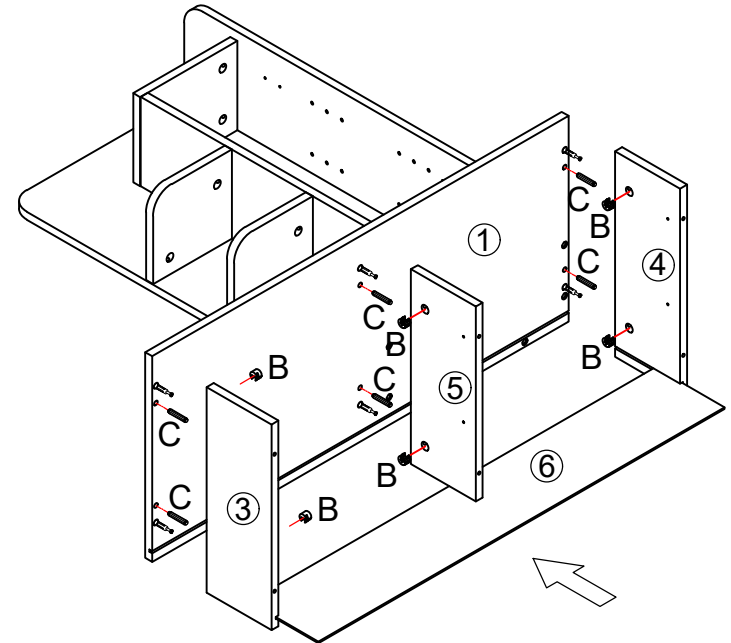
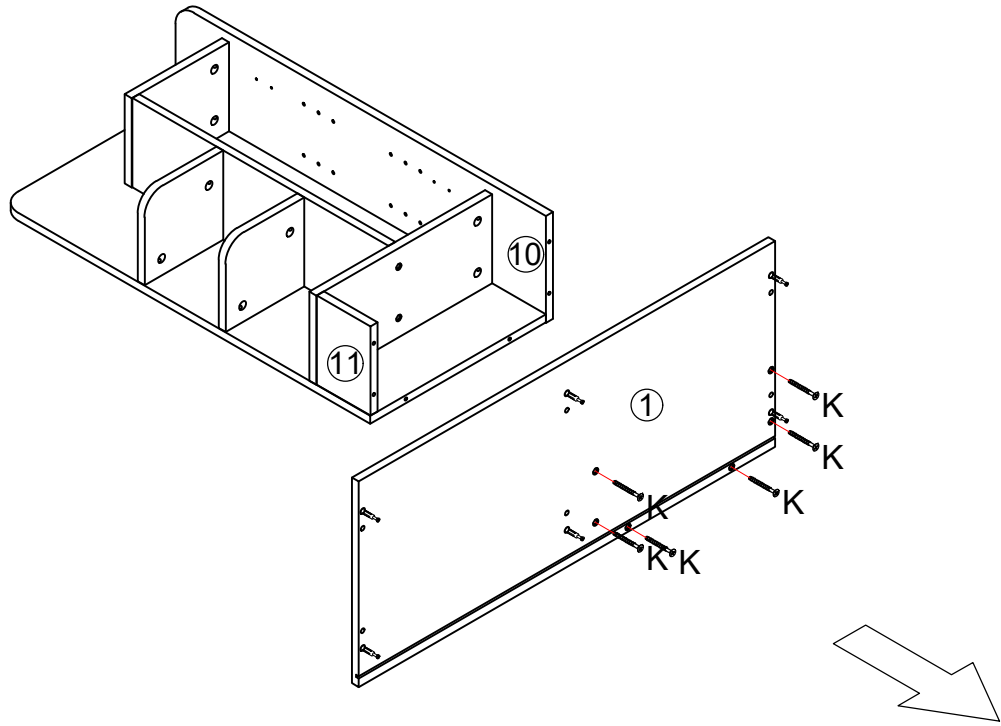



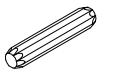

C*4



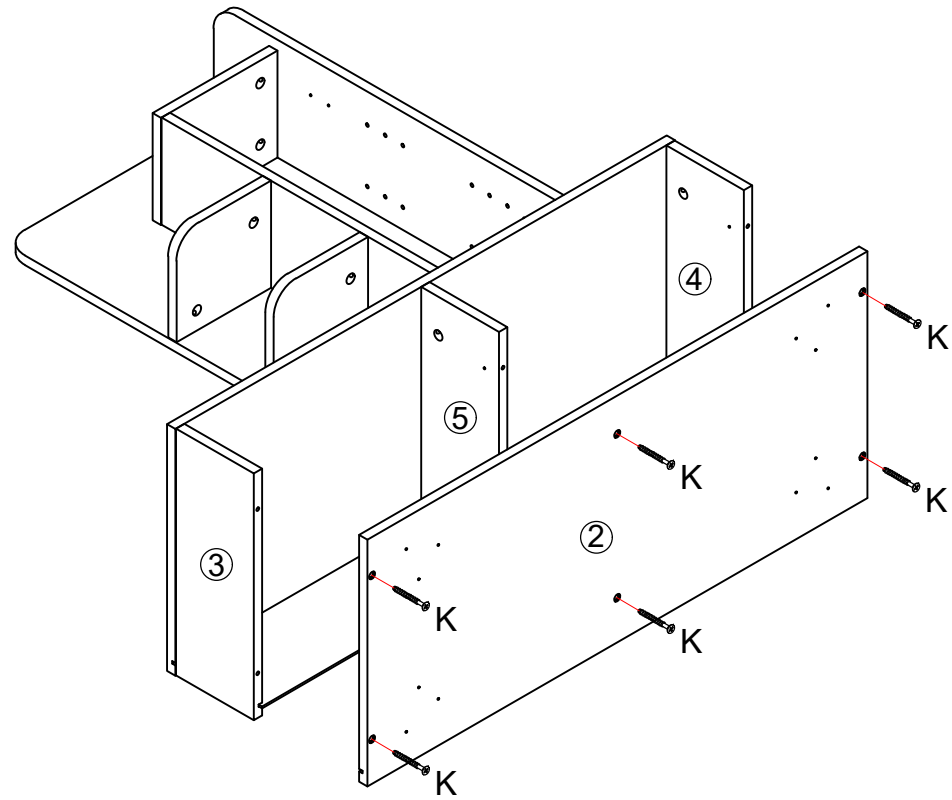
K*4

5



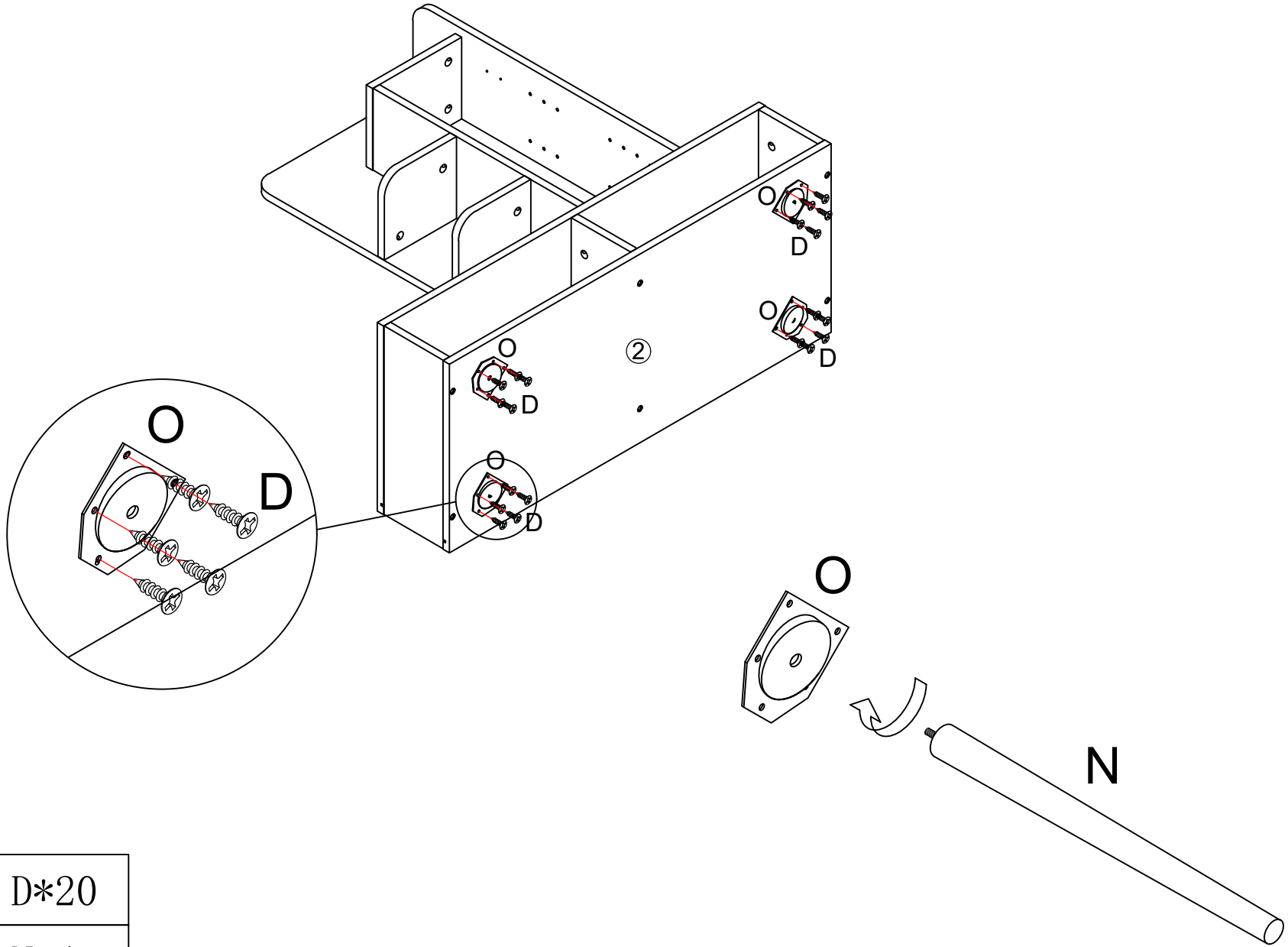
	B*6
	C*6
	K*6


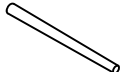

6



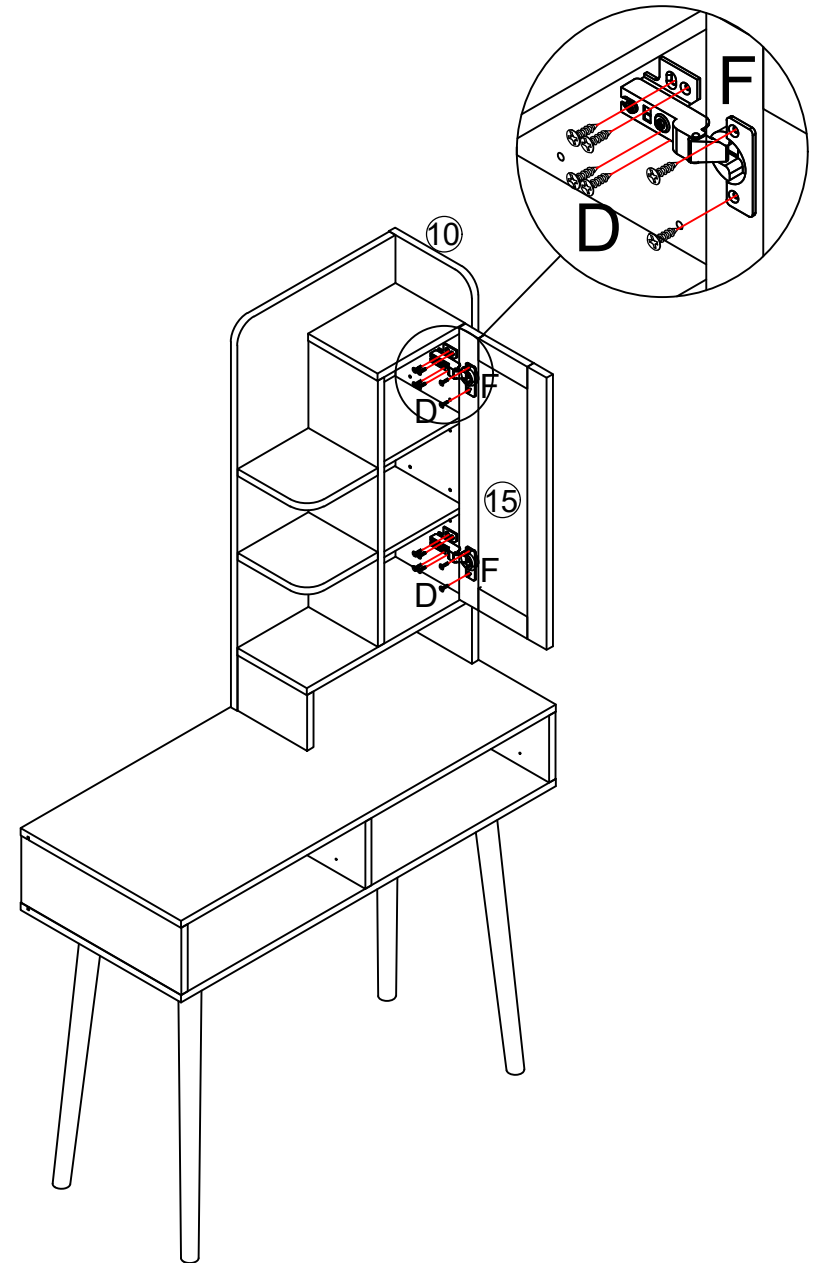
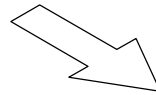
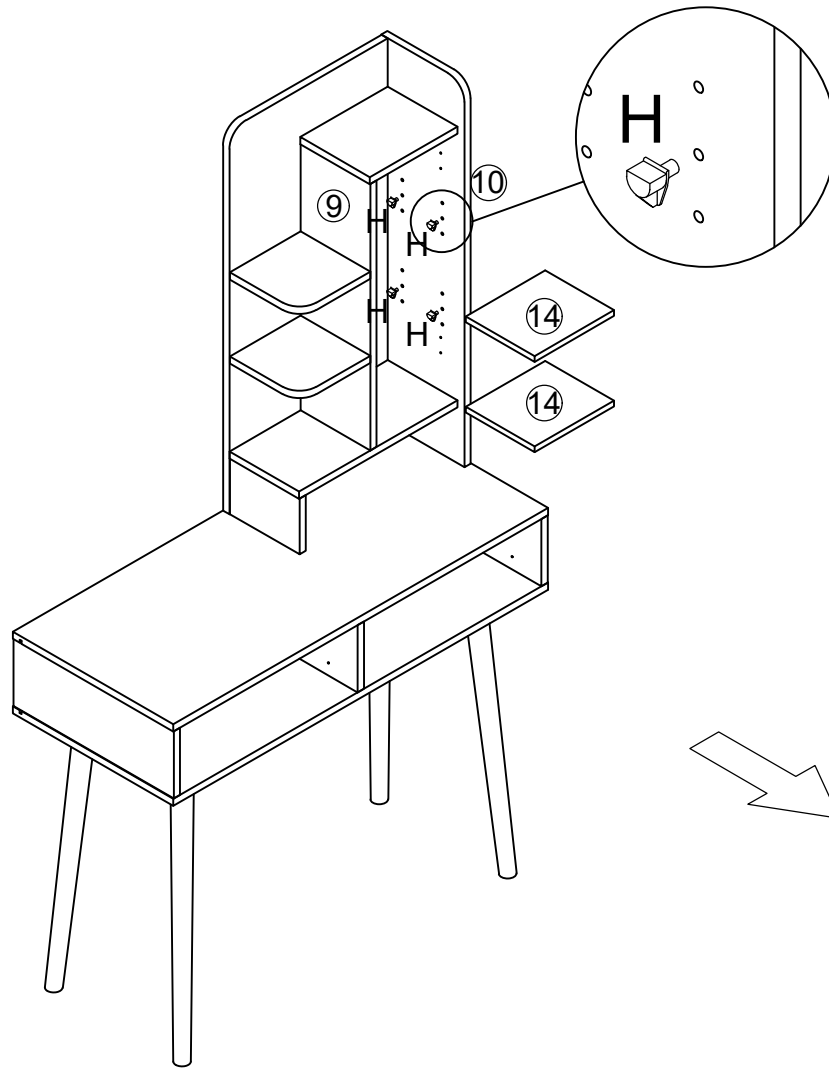
K*6

7



	D*20
	N*4
	O*4

8



D*12

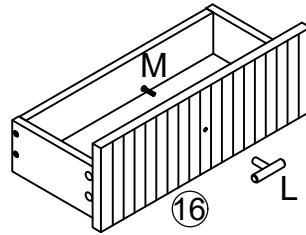
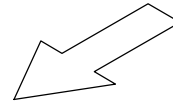
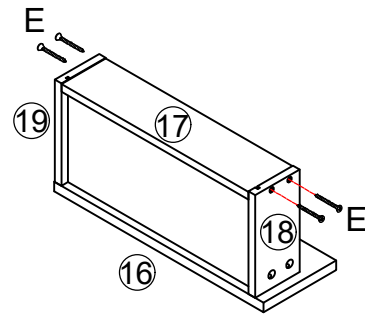
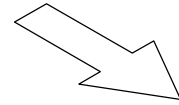
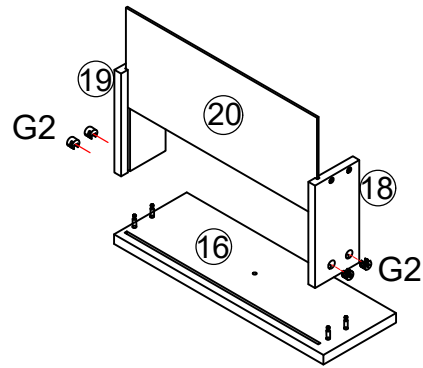


F*2

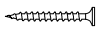


H*8

9



G2*4



E*4

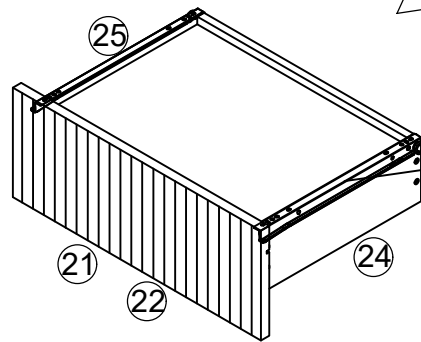
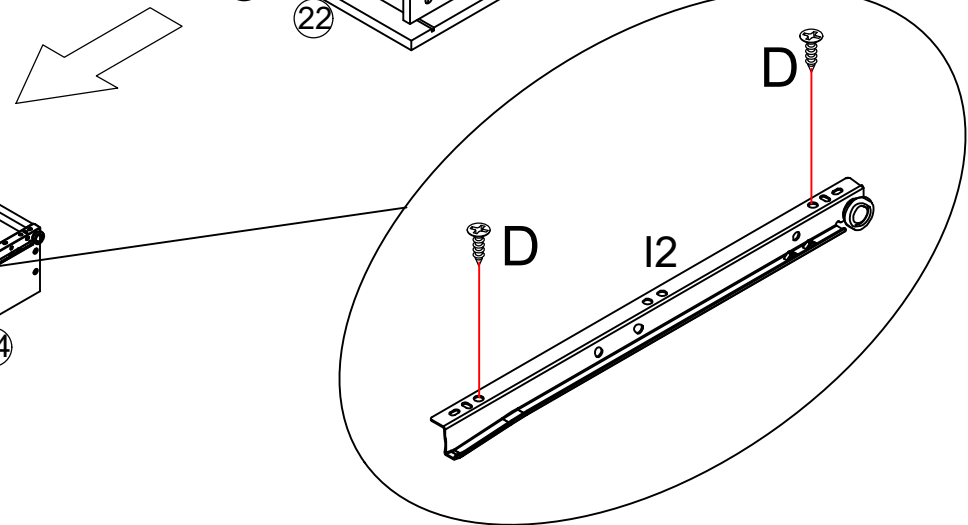
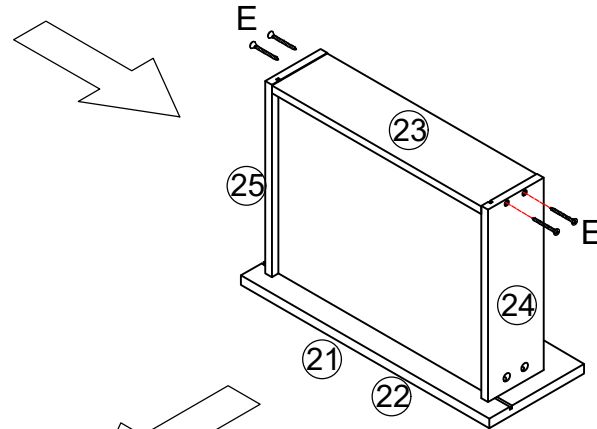
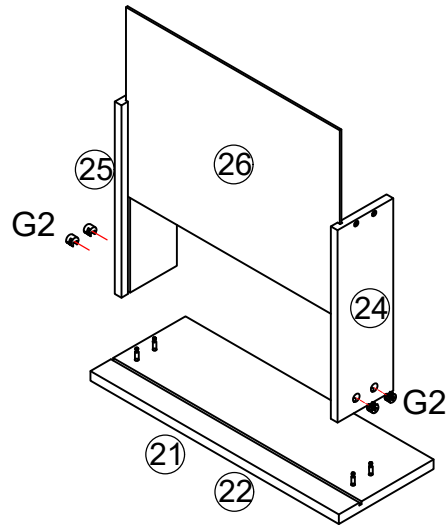


L*1



M*1

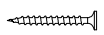
10



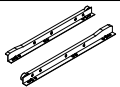
G2*8



D*8

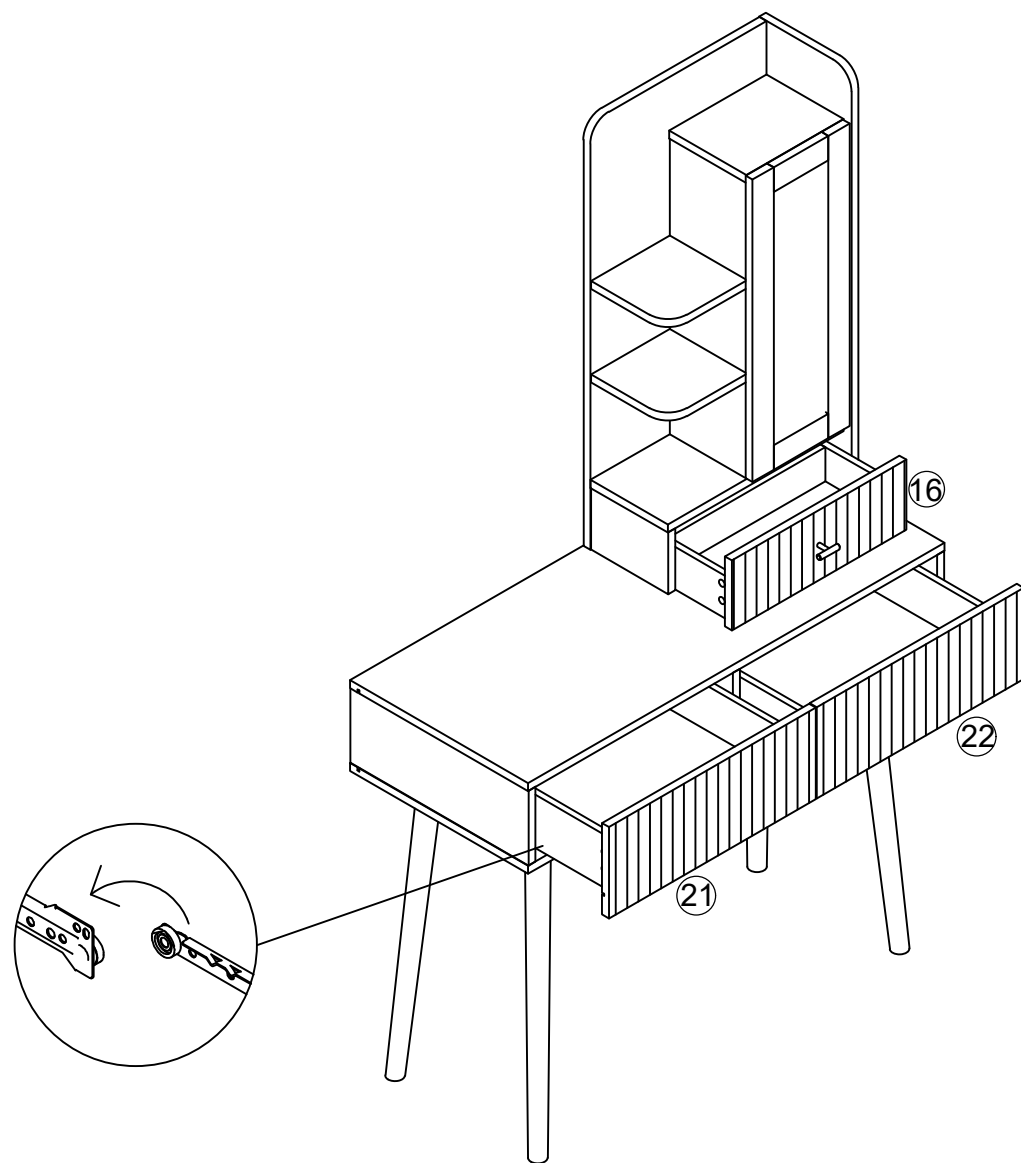


E*8

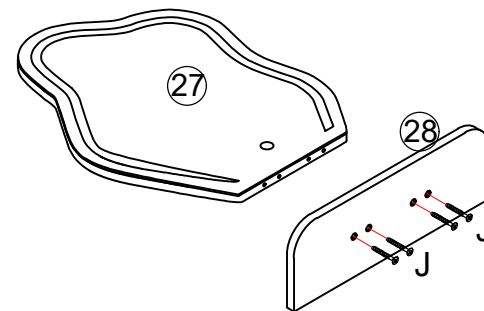
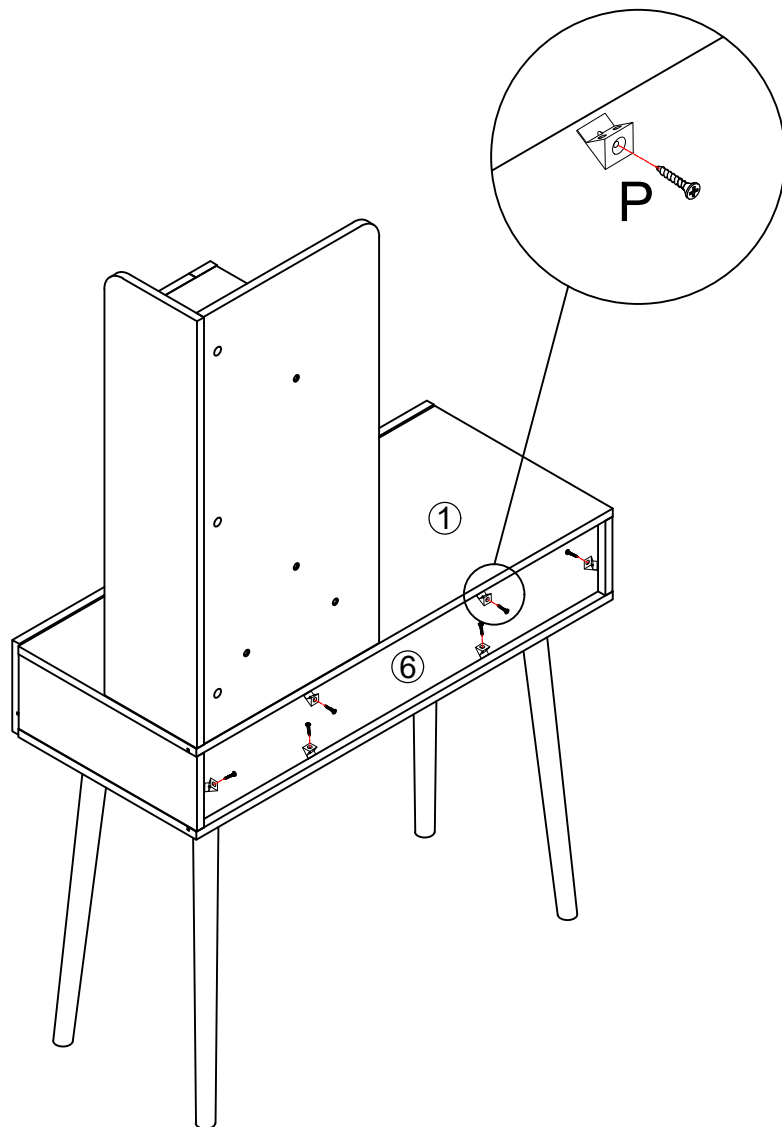



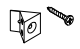
I2*2

11

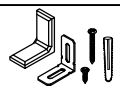
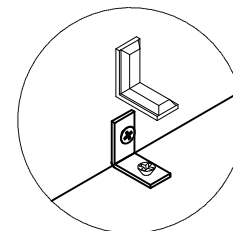
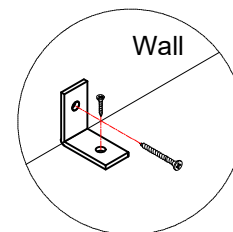
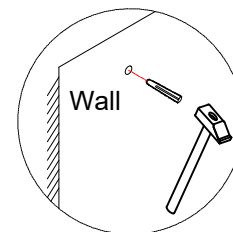
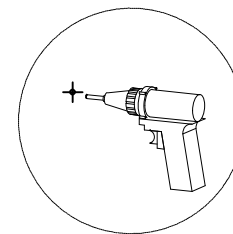
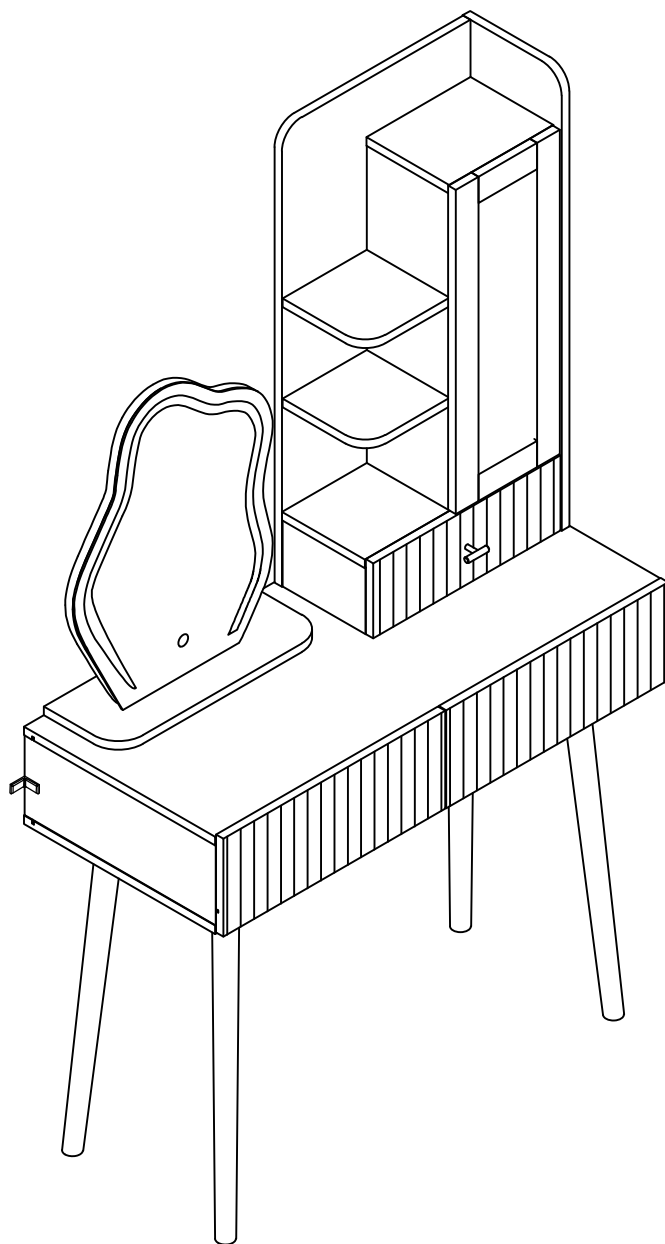


12



	J*4
	P*6

13



Q*2

Please install tip-proof fitting.