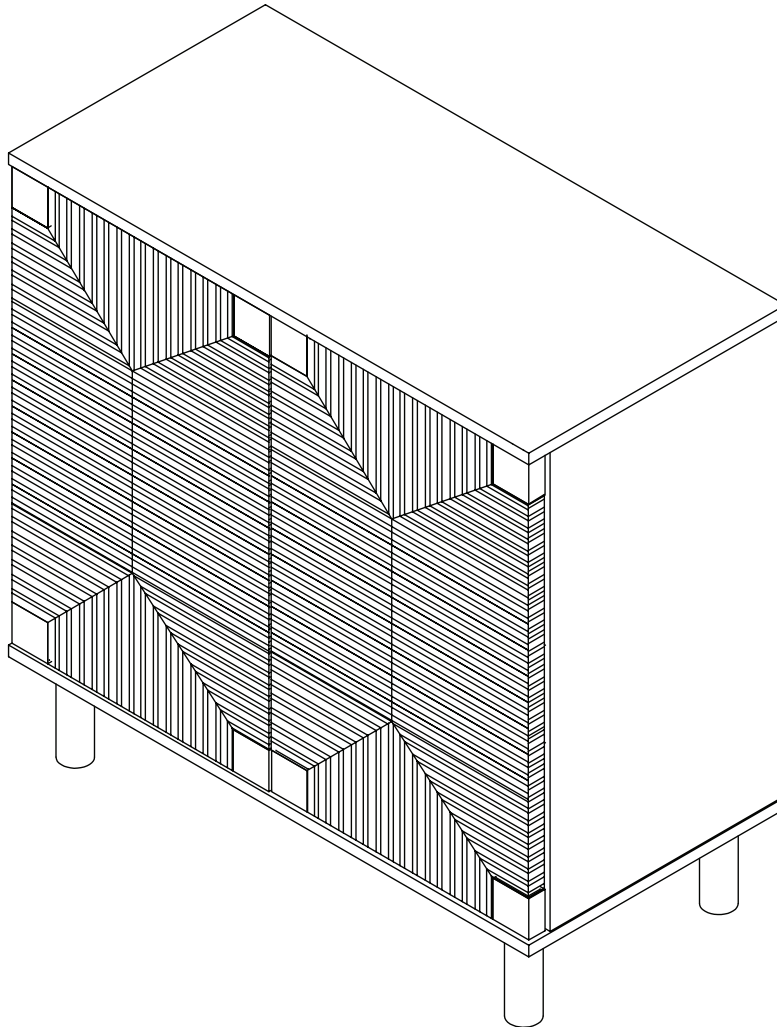


Let's build the

Beacon Storage Unit

SKU 71401



Scan me!

Free Lifetime
Warranty

nathan james

VN- 24-0321

Ok, let's get rolling

This should be easy, just follow our instructions and you will be back to Netflix in no time.

Estimated time for assembly



60:00

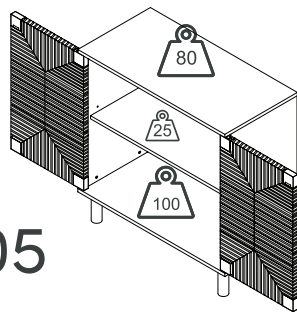
What you need

- Some of your favorite bubbly or your preferred relaxant
- Use the packaging carton as a working surface to prevent product damage during assembly
- Phillips head screwdriver
- Drill
- 1/4" Drill Bit

Weight Limitation



205 lbs



What's included

Description	Qty
A Right Side Panel	1
B Upper Back Stretcher	1
C Lower Back Stretcher	1
D Upper Front Stretcher	1
E Left Side Panel	1
F Bottom Panel	1
G Legs	2
H Center Leg	1
I Back Panel	1
K Shelf	1
L Right Door	1
M Left Door	1
N Top Panel	1

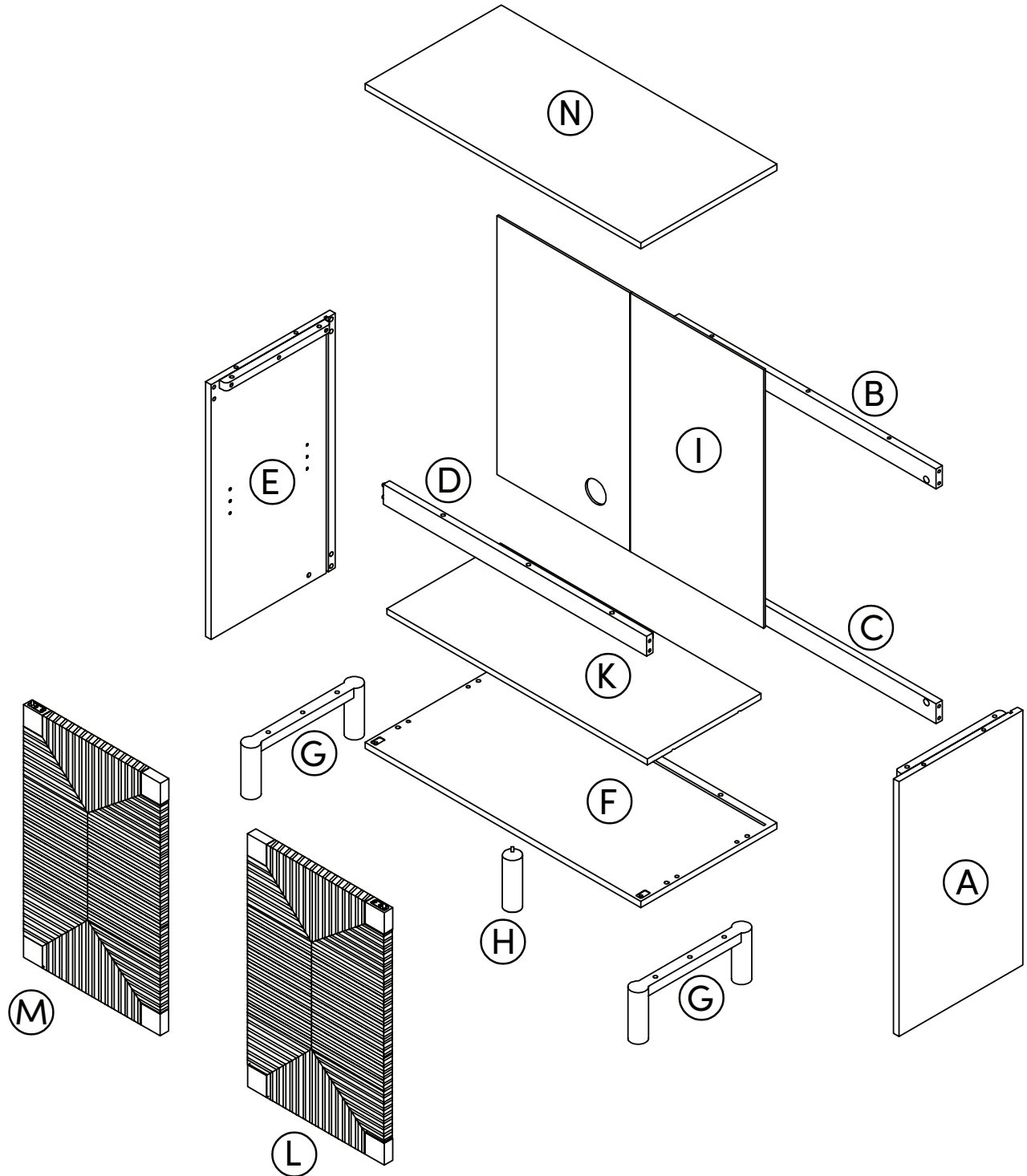
Scan me!

Free Lifetime
Warranty



Toll-free at 1-866-619-1004
Help@nathanjames.com
Nathanjames.com/help

The goods



IMPORTANT

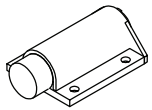
1. Do not tighten bolts / screws completely until all bolts / screws are lined up and inserted into holes.
2. Do not over tighten screws and bolts to avoid stripping.

What's included

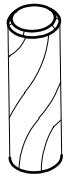
	Description	Qty
1	Magnetic Push Latch	2
2	Ø8 x 30mm Wooden Dowel	12
3	Cam Bolt	6
4	Cam Lock	6
5	Long Bolt Ø¼ x 1-¾ inch	10
6	Short Bolt Ø¼ x 1 inch	4
7	M3x15mm Screw	8
8	M4x35mm Screw	7
9	Spring Washer Ø¼ x ½ inch	14
10	Flat Washer Ø¼ x ½ inch	14
11	Sleeve	4
12	Nuts	4
13	Shelf Support Pin	4
14	Allen Key	1
15	Plastic Bracket (Anti-Tip Kit)	2
16	Plastic Anchor (Anti-Tip Kit)	2
17	M4x50mm Screw	2
18	M3.5x15mm Screw	2
19	Plastic Strap (Anti-Tip Kit)	1
20	Leveler (Extra)	3
21	Sleeve (Extra)	4

The goods

1



2



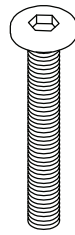
3



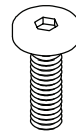
4



5



6



7



8



9



10



11



12



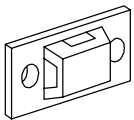
13



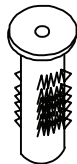
14



15



16



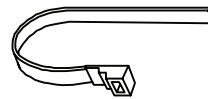
17



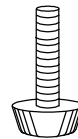
18



19



20

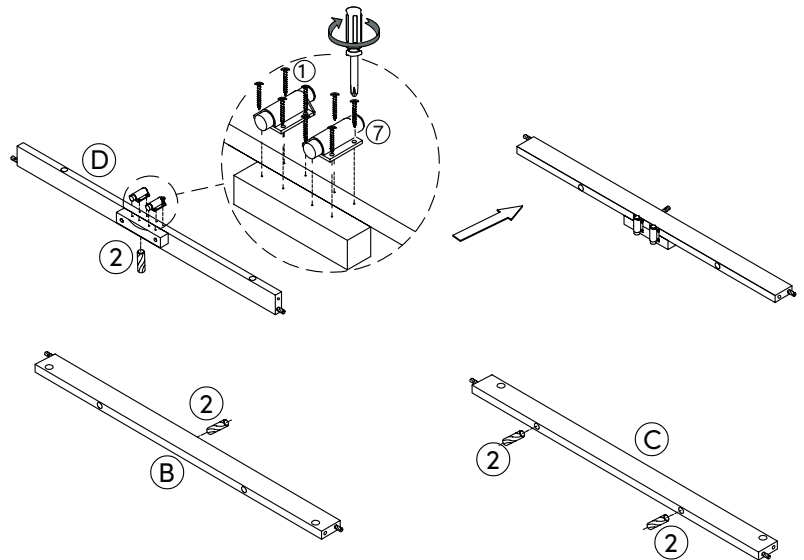
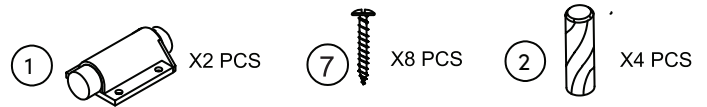


21



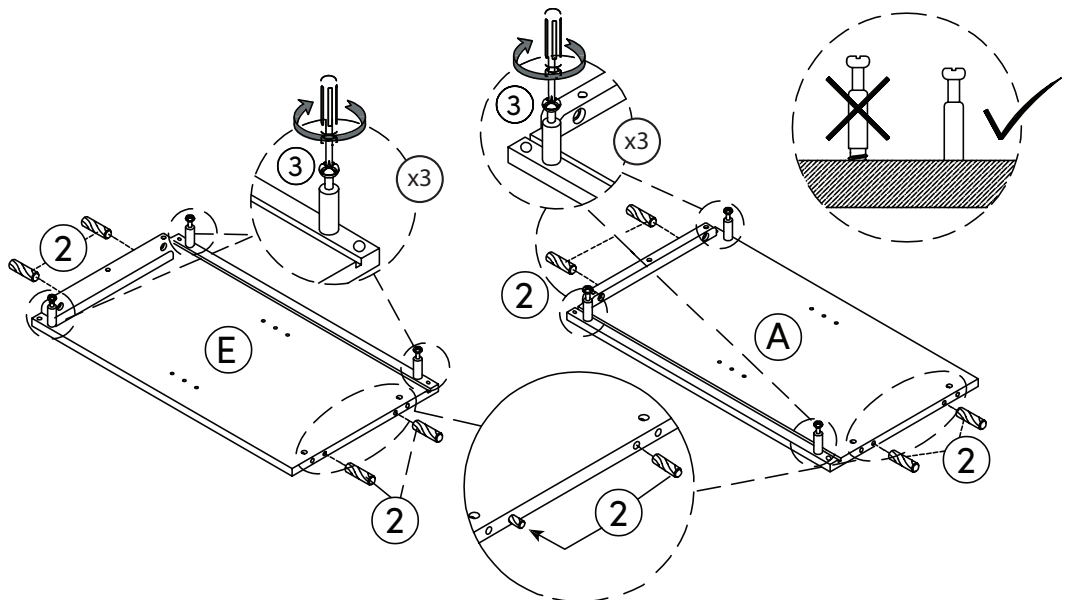
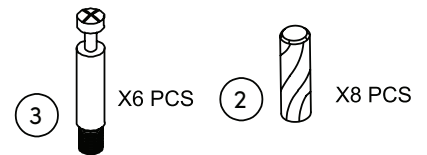
Step 1

Let's get this thing fired up!
Attach the Magnetic Push Latch (1) to the Upper Front Stretcher (D) using the M3*15mm Screws (7). Next, following the image below, insert the $\varnothing 8 \times 30$ mm Wooden Dowels (2) into their corresponding holes on each stretcher.

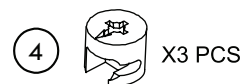


Step 2

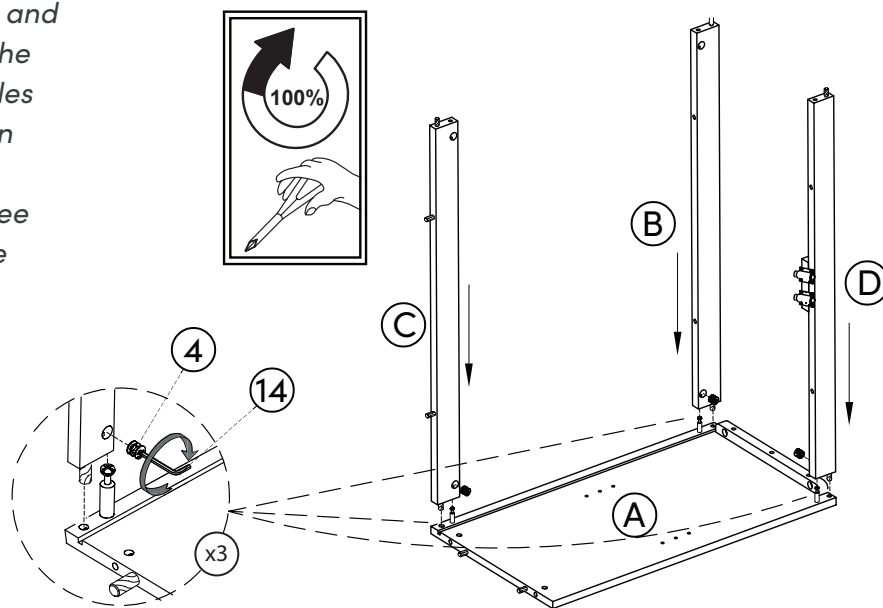
Screw the Cam Bolts (3) into the Right Side Panel (A) and Left Side Panel (E). Then insert the Dowels (2) into the Panels.



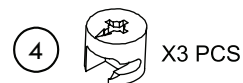
Step 3



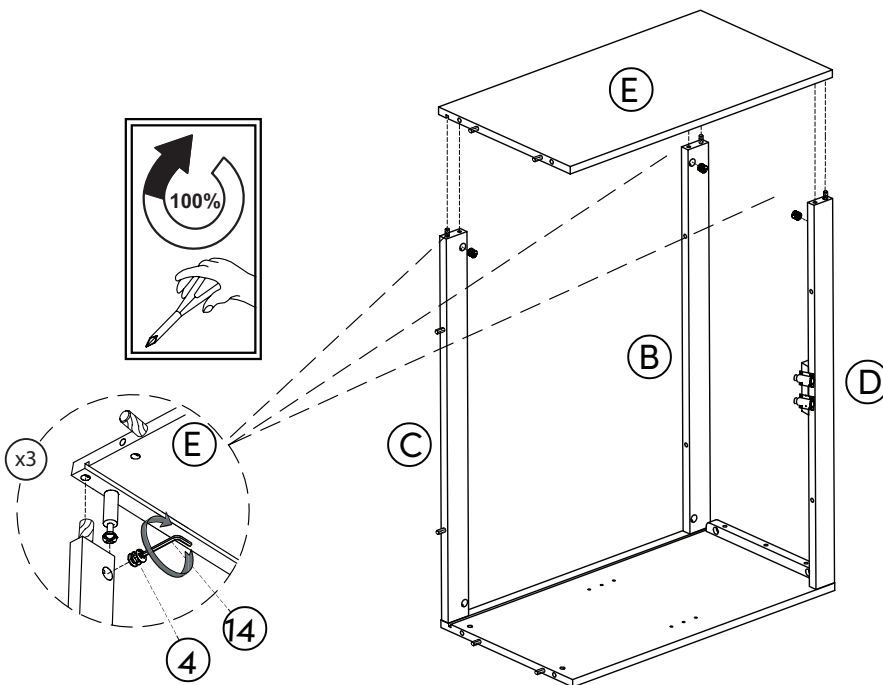
Now attach the Upper Back Stretcher (B), the Lower Back Stretcher (C), and the Upper Front Stretcher (D) to the Right Side Panel (A). Align the holes with the Cam Bolts you inserted in Step 2, then secure with the Cam Locks (4) and the Allen Key (14). See the following page for how to use cam locks.



Step 4



Next, attach the Right Side Panel (E) to the Stretchers. Align the holes with the Cam Bolts you inserted in Step 2, then secure with the Cam Locks (4) and the Allen Key (14).



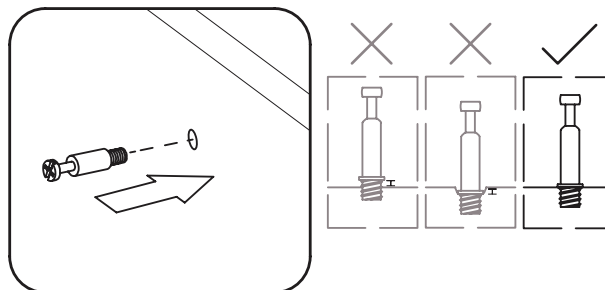
How to use cam locks

Did you know?

Cam locks are used to join two panels together, usually the edge of one to the flat side of another.

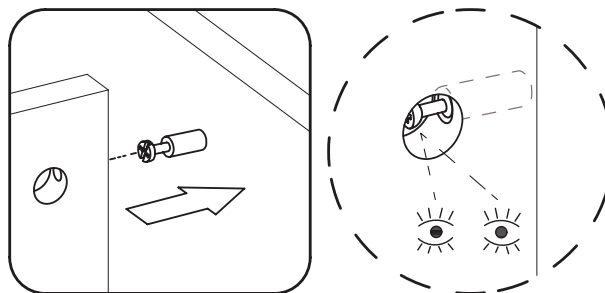
First, your cam bolt (or cam pin) will need to be properly inserted into the flat side of the board.

Important Note: Only tighten the cam bolt until it is secure. Do not over-tighten.



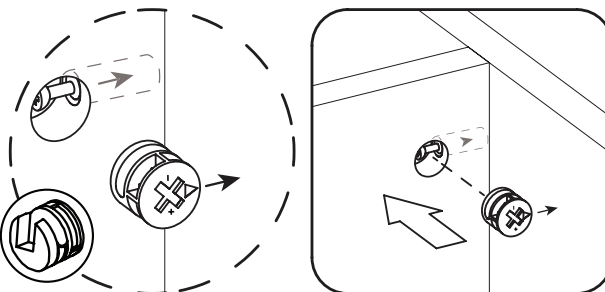
Next, you will fit the proper hole on the edge of the associated joining panel over the cam bolt.

Important Note: When installed properly, the head of the cam bolt will be visible through the larger hole on the side of the joining panel.



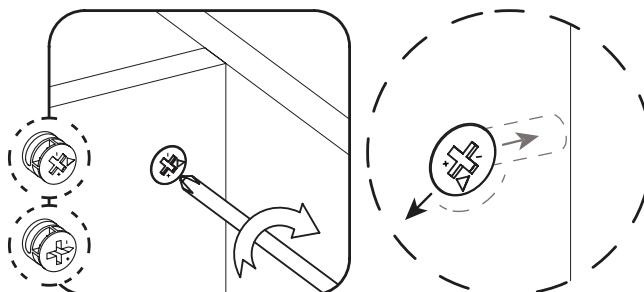
Next, you will notice the cam lock has a “C” shaped back. Commonly, an arrow on the front of the cam lock points in the same direction as the open section on back.

Using these as your cue, insert the cam lock into the large hole so the opening of the “C” fits over the head of the cam bolt.



Using a screwdriver, you will turn the cam lock until it stops, usually between 130° or 180°. You will feel the panels pulling closer until they are secured.

Important Note: Only turn the cam lock until the panels are fully engaged & feel secure. Turning too far may lead to hardware failure.



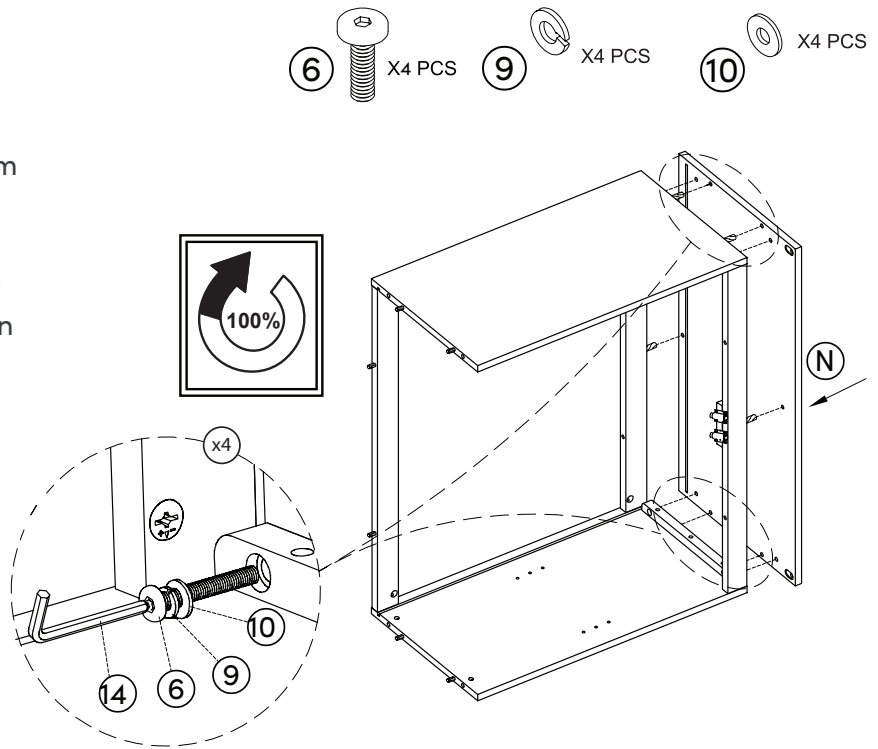
Still having issues?

If a cam lock seems to be spinning in place or is not “catching” or pulling the panels together as expected, first remove the cam lock & try again while making sure that everything is properly positioned & oriented.

If you are still having issues getting things working as expected, first remove the cam lock then unscrew the cam bolt slightly (less than 1 complete turn) to see if that helps with the alignment of the cam lock & bolt.

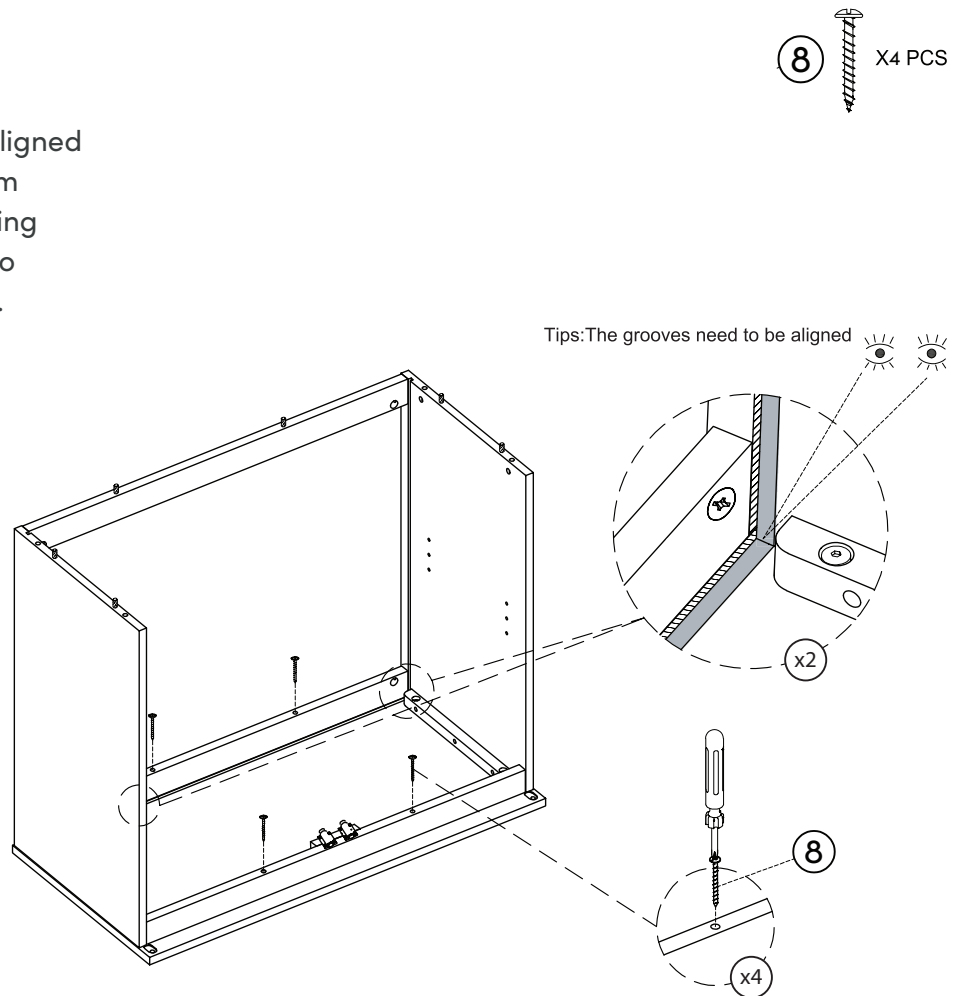
Step 5

Attach the Top Panel (N) to the cabinet. Align the holes with the Cam Bolts you inserted in Step 2, then slide the Spring Washer (9) and the Flat Washer (10) on to the Short Bolt (6) and use these parts and the Allen key (14) to secure the panel and cabinet together.



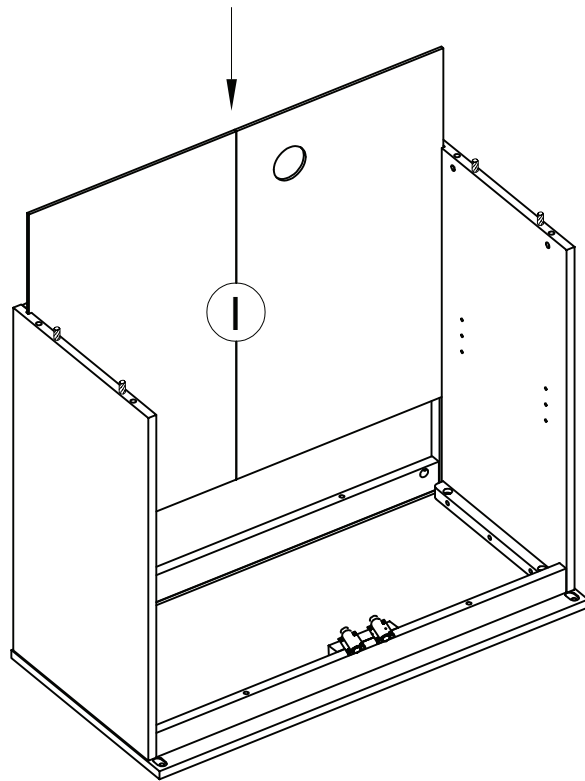
Step 6

Make sure the grooves are aligned and then insert the M4x35mm Screw (8) into its corresponding holes. Use your screwdriver to tighten the screws into place.



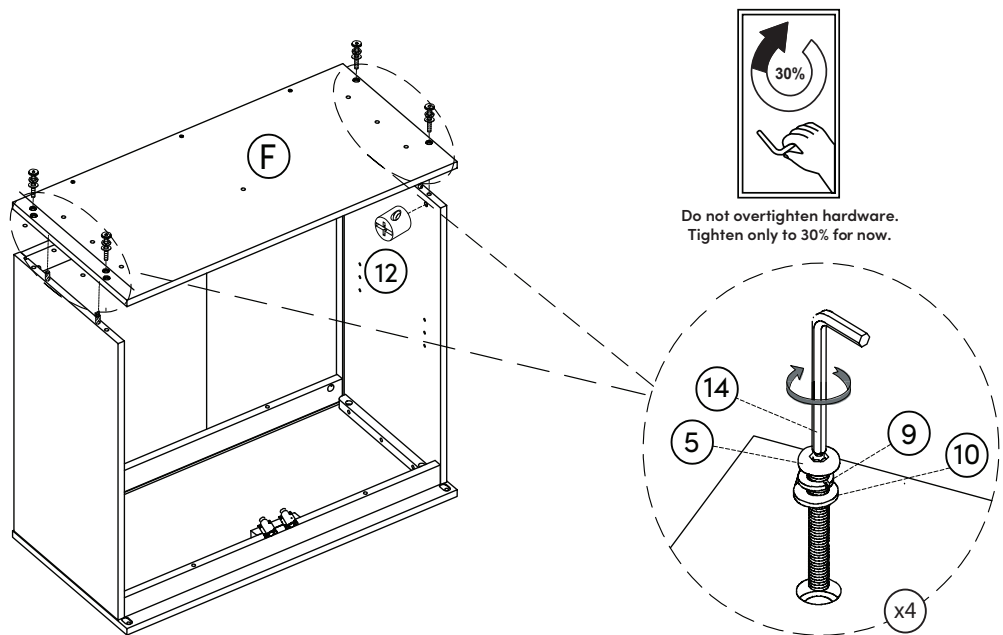
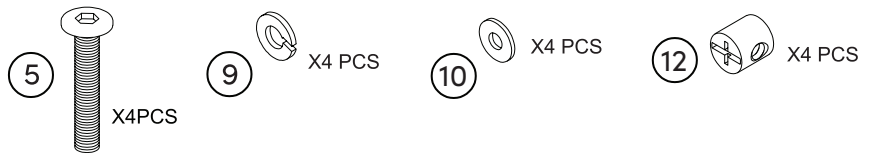
Step 7

Unfold the Back Panel (I) and slide it into place on the cabinet. It should fit smoothly into the grooves.



Step 8

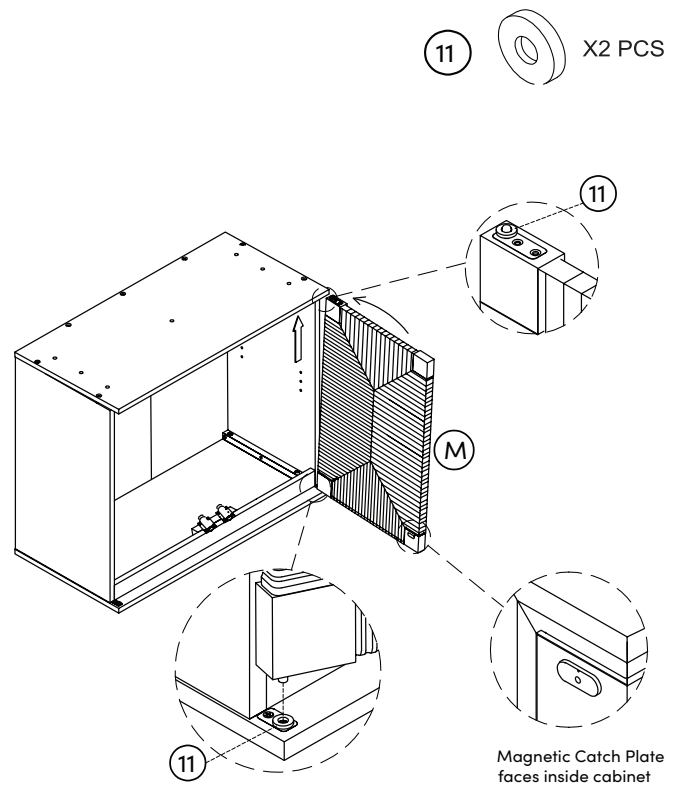
Take the Bottom Panel (F) and attach it to the cabinet you have been working on. Use the Long Bolt (5), the Spring Washer (9), and the Flat Washer (10) as well as the Allen Key to secure these components together. Tighten only to 30% for now.



Step 9

Now it's time to attach the Left Door (M) to the cabinet. Make sure the Magnetic Catch Plate faces inside. Use the Sleeves (11) to lock the door into place.

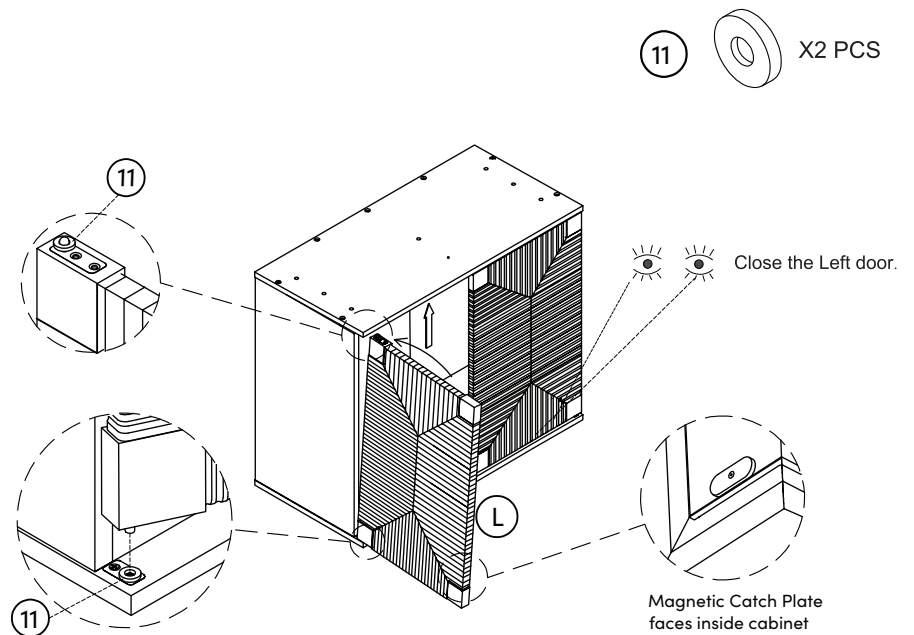
Slightly lift the Bottom Panel allows the door latch to slide into the hole.



Step 10

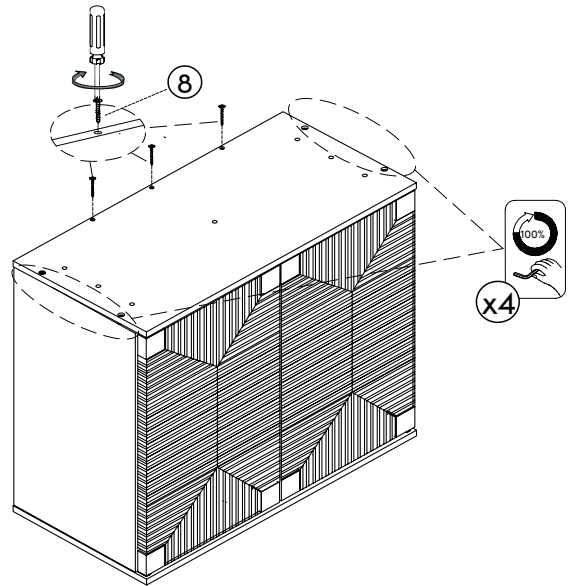
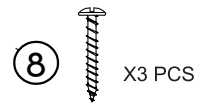
Close the Left door and repeat the step for the Right Door (L). Double check again to make sure the Magnetic Catch Plate faces inside the cabinet. Now we can start to see the vision come to life!

Slightly lift the Bottom Panel allows the door latch to slide into the hole.



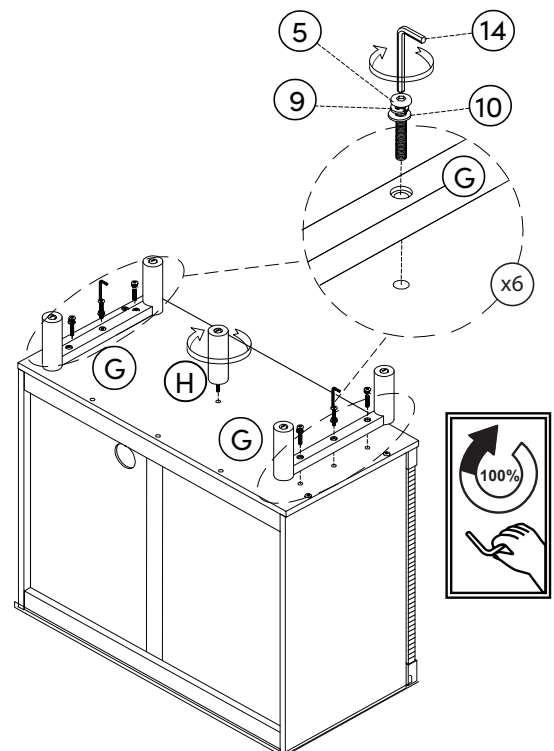
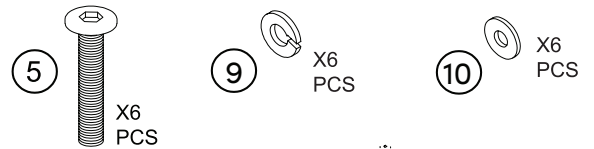
Step 11

The bottom of the cabinet should still be facing upwards. We are going to insert the M4x35mm Screw (8) into its designated holes on the panel. Tighten to 100%.

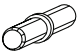


Step 12

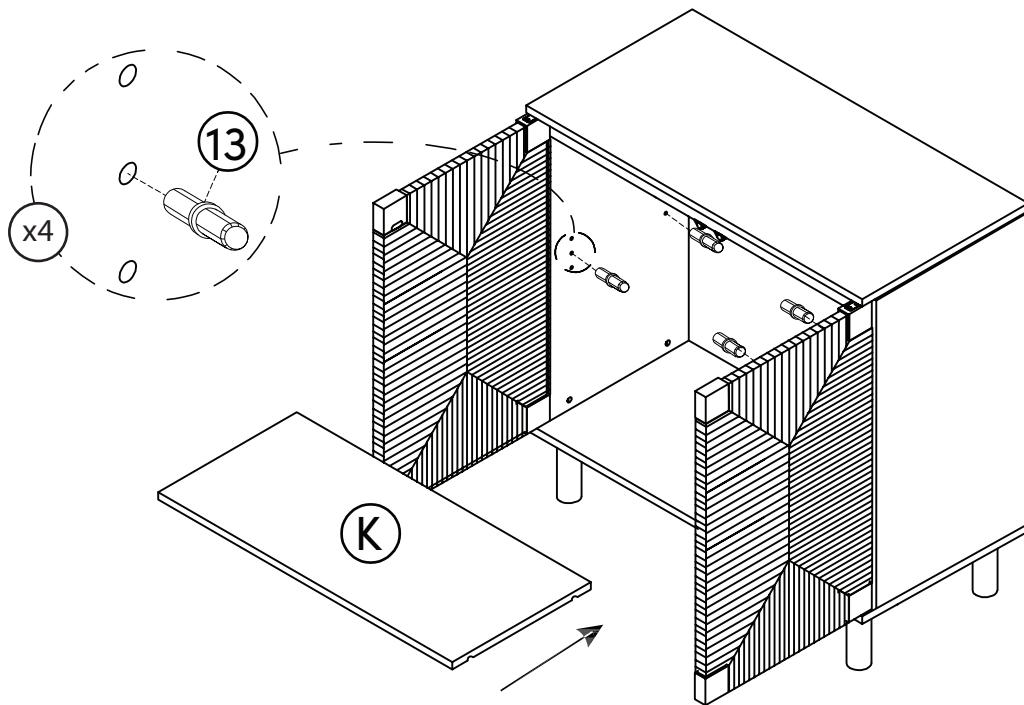
Take the Legs (G) and secure into place on the cabinet using the Long Bolt (5), the Spring Washer (9), and the Flat Washer (10). Also be sure to attach the Center Leg (H) by twisting clockwise.



Step 13

13  X4 PCS

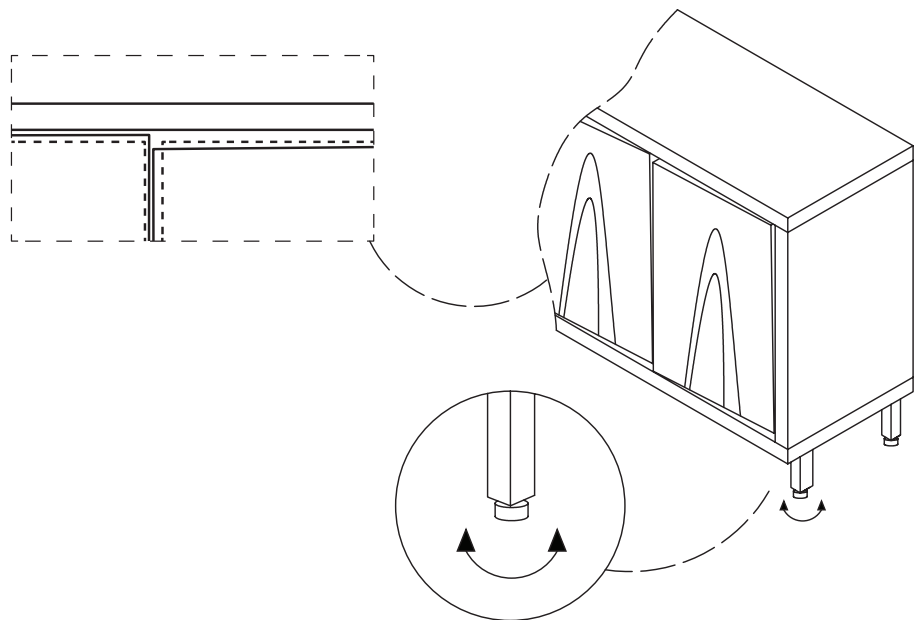
Now grab a friend and turn the cabinet upright. Insert the Shelf Support Pins (13). Then slide the Shelf Panel (K) into the cabinet.



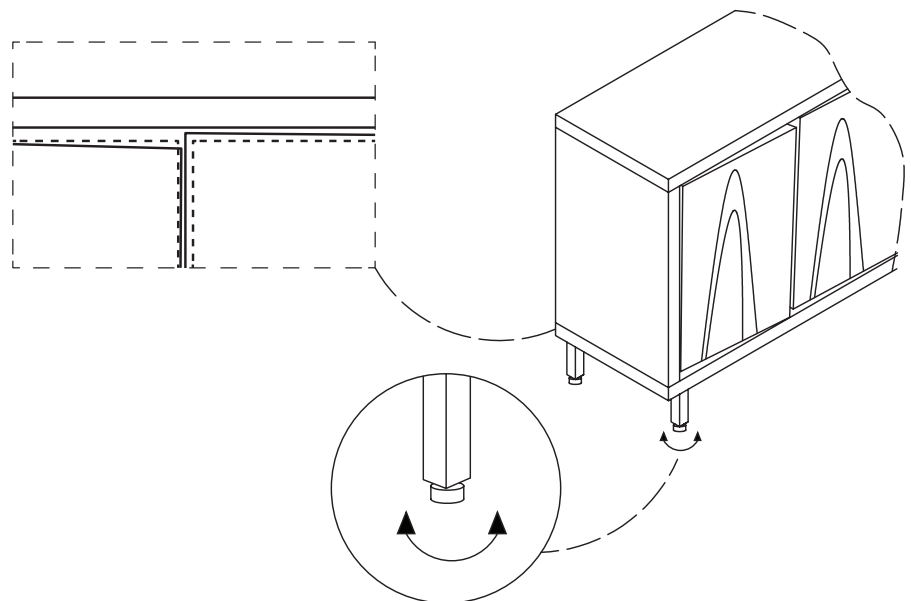
Is your cabinet door looking crooked or unevenly spaced?

If you're still having trouble lining everything up, your next step should be to try to adjust the feet slightly to square up the cabinet and doors. Follow the instructions below:

If the right door appears to be hanging low, you can adjust the adjustable leveler on the front right until the door is better aligned.



If the left door appears to be hanging low, you can adjust the adjustable leveler on the front left until the door is better aligned.

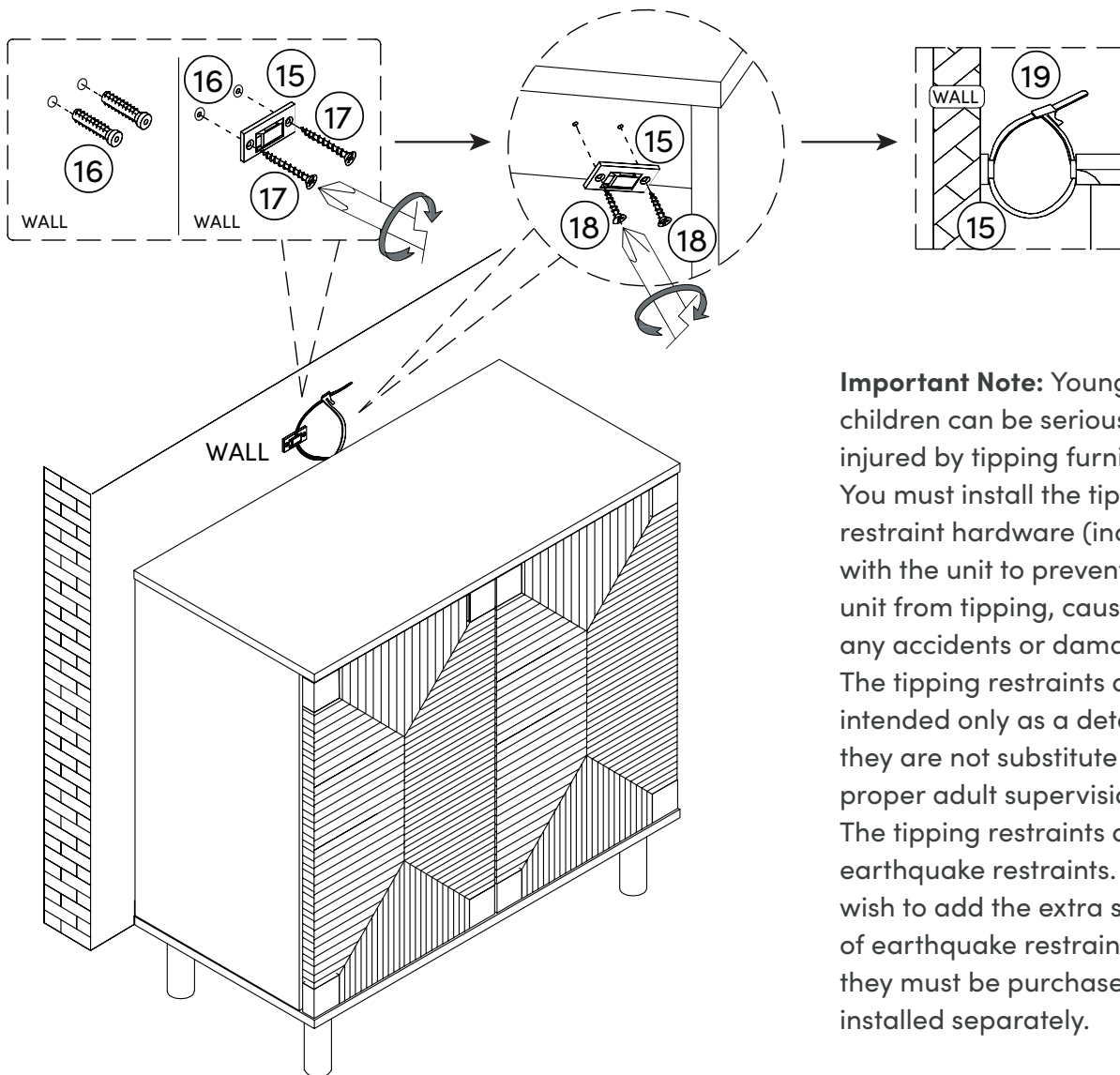


Step 14



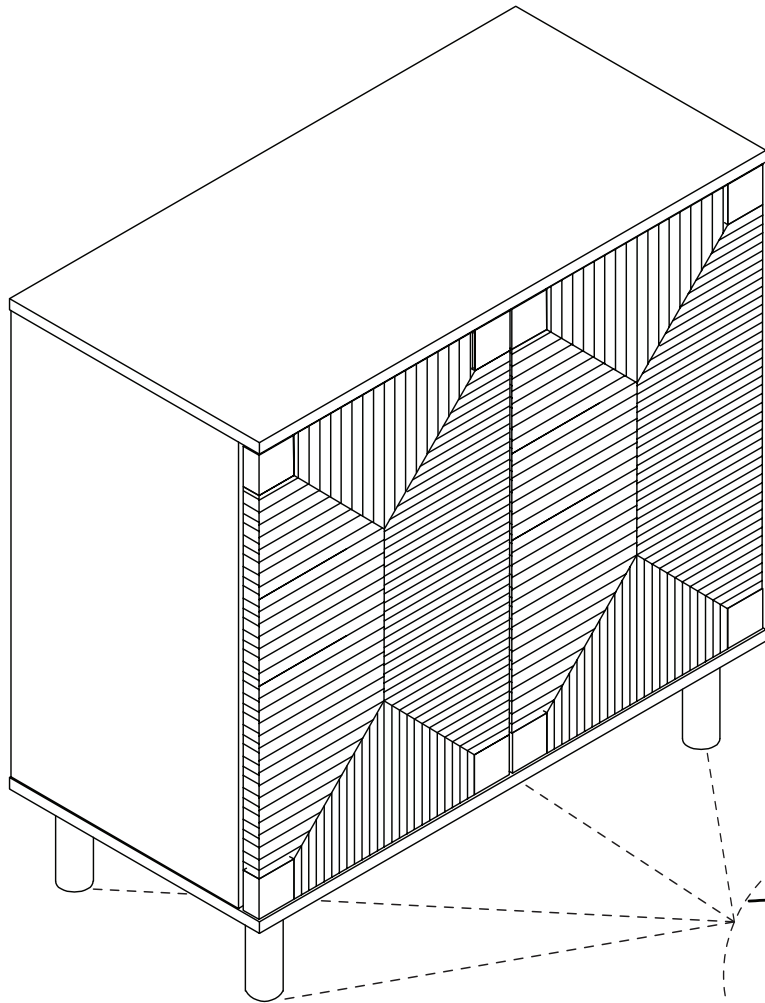
And now for the final step! Time to install the tipping restraint hardware. First, use 1/4" drill bit to drill holes in the wall and insert the Plastic Anchors (16) into the wall. Next, attach the Plastic Bracket (15) to the Plastic Anchors (16) using M4x50mm Screws (17).

Next, attach the Plastic Bracket (15) to the cabinet using the M3.5x15mm Screws(18). Finally, thread the Plastic Strap (19) through the Plastic Brackets (15) to secure the cabinet to the wall.

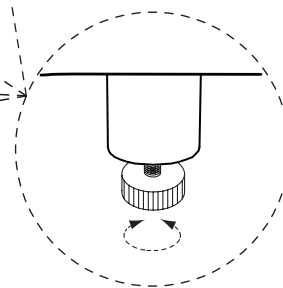


Important Note: Young children can be seriously injured by tipping furniture. You must install the tipping restraint hardware (included) with the unit to prevent the unit from tipping, causing any accidents or damage. The tipping restraints are intended only as a deterrent, they are not substitute for proper adult supervision. The tipping restraints are not earthquake restraints. If you wish to add the extra security of earthquake restraints, they must be purchased and installed separately.

Step 15



Wobbly or unlevel? Adjust levelers on all of the front legs until stable, and make the leveler of the center leg touch the ground.



No heartburn, when we handle the return

Give us a call **1-866-619-1004** or shoot us a message at **help@nathanjames.com** we will issue you a free replacement with **zero hassle**.

Our way



Give us a call



Replacement



You

Their way



Re-package item



Schedule pick up



Track package



Replacement



You

We really don't want you to go through the hassle of re-packaging your item and sending it back, because let's be honest...nobody has time for that.

Safety first, fun later

We want your Beacon Storage Unit to last as long as possible, so we recommend that you tighten the screws 2 weeks after assembly and for added safety check the tightness of all screws every 2 months.

For proper care and treatment please check our website at NathanJames.com/products

Safe use of this product starts with you.

Use this Beacon Storage Unit responsibly with the primary concern for your safety. Follow assembly instructions carefully and inspect product upon receipt and each use.

Nathan James and its parent companies cannot be held legally responsible for any injuries or death resulted from failure to follow instructions or improper use of this product.

Do not modify the structure of this product in any way.

Our products have been tested to meet specific safety measures as they were originally intended to be sold. Any modifications will present the risk of creating significant safety issues which NJ will not be responsible for.

Proper use

- DO NOT** use for commercial purposes
- DO NOT** frolic on storage unit
- DO NOT** use storage unit as foot stool
- DO NOT** leave spilled liquid on storage unit
- DO NOT** use storage unit if damaged
- DO NOT** make temporary repairs
- DO NOT** use outdoors

We are only in business if you're happy

For starters, thanks for being you.

☎ Toll-free at 1-866-619-1004

✉ Help@nathanjames.com

🌐 NathanJames.com/help

We do our best to ensure your furniture arrives without any problems, but occasionally mistakes happen—as humans we are imperfect beings. In the event that a part is damaged or missing, we will be more than happy to provide you with replacement part(s) for free.

Warranty

This product comes with a lifetime warranty from the date of purchase. Please use your phone to scan the QR code to register your product or visit <https://goo.gl/i9dk3q>



Did we do alright? Please spread the love!

If you are happy with your product, tell your friends and family about us or even better leave us a review online. Spreading the word gives us the opportunity to make more people happy and keep our prices low for your next purchase.

Brooklyn Burden

Founder, Nathan James