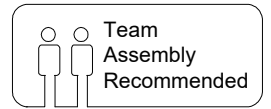
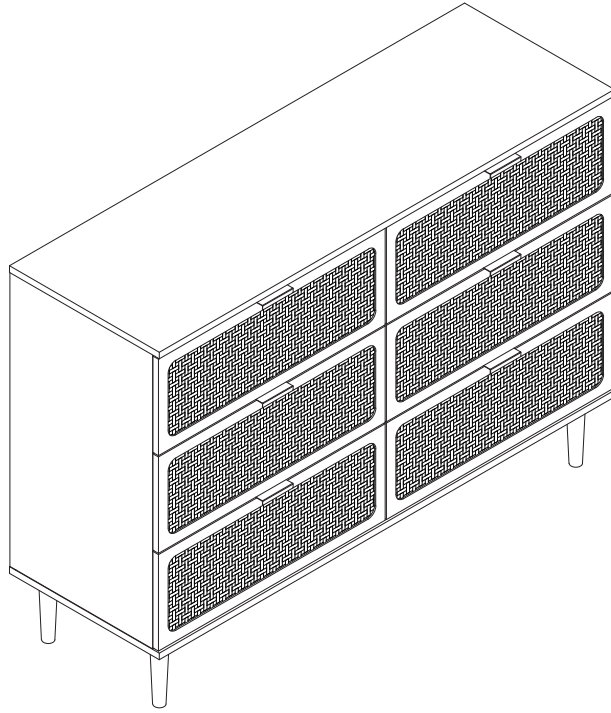
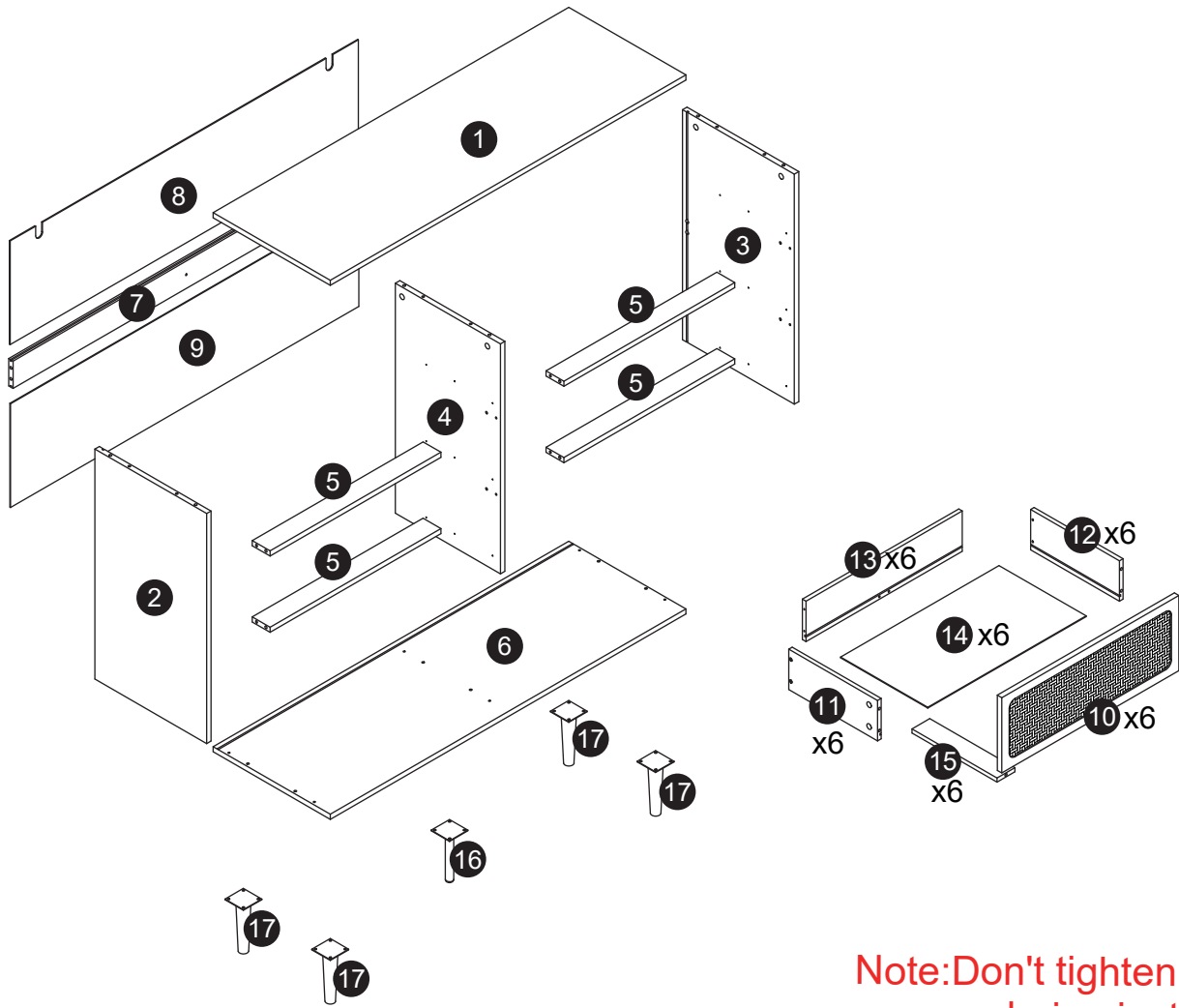


Assembly Instruction





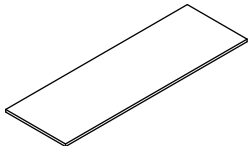
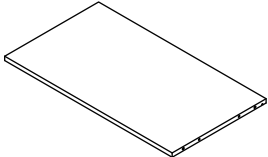
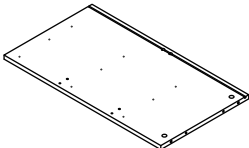
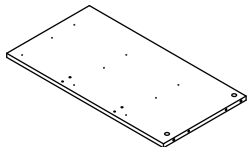
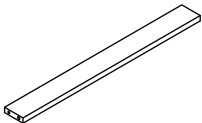
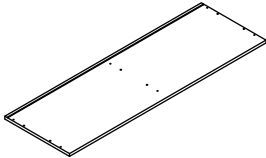
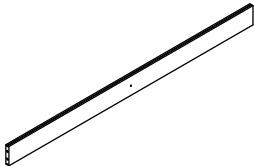
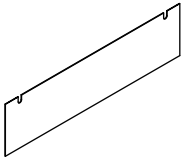
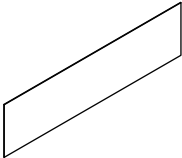
Note: Don't tighten all screws during installation.

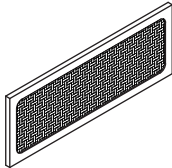
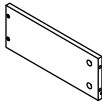
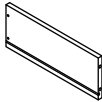
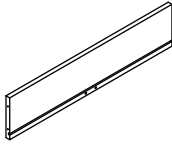
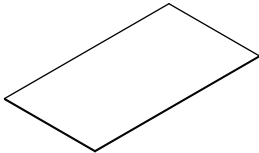
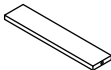
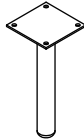

Screws & Tools

(A)		Ø6x35mm	x48
(B)		Ø15x9.5mm	x48
(C)		Ø6x30mm	x16
(D)		Ø4x35mm	x45
(E)		Ø3.5x14mm	x12
(F)			x6
(G)		Ø3x12mm	x72
(H)		Ø4x14mm	x24

(I)			x12
(J)			x2
(K)			x2
(L)		300mm	x6
(CL)		300mm	x6
(CR)		300mm	x6
(DL)		300mm	x6
(DR)		300mm	x6

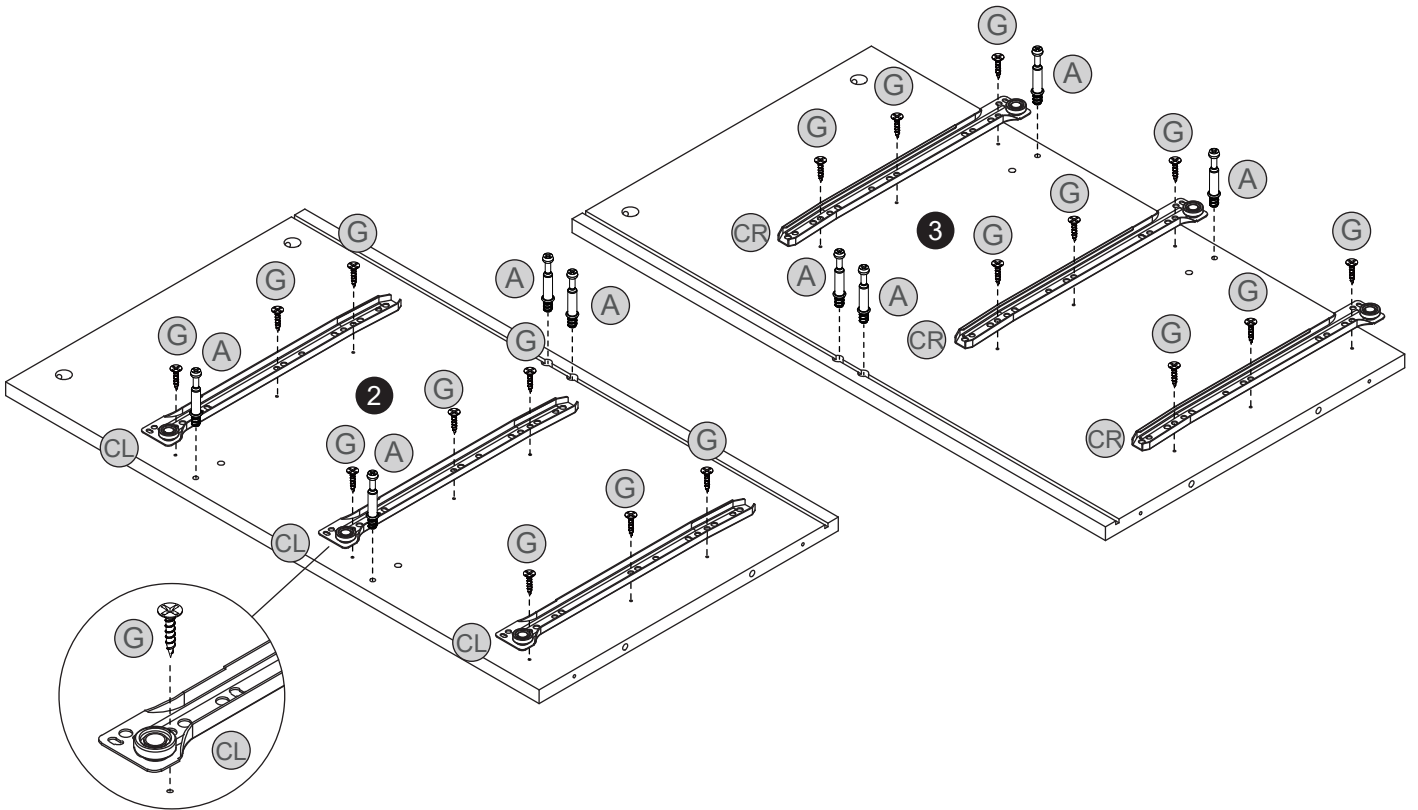
Componets

1		x1
2		x1
3		x1
4		x1
5		x4
6		x1
7		x1
8		x1
9		x1

10		x6
11		x6
12		x6
13		x6
14		x6
15		x6
16		x1
17		x4

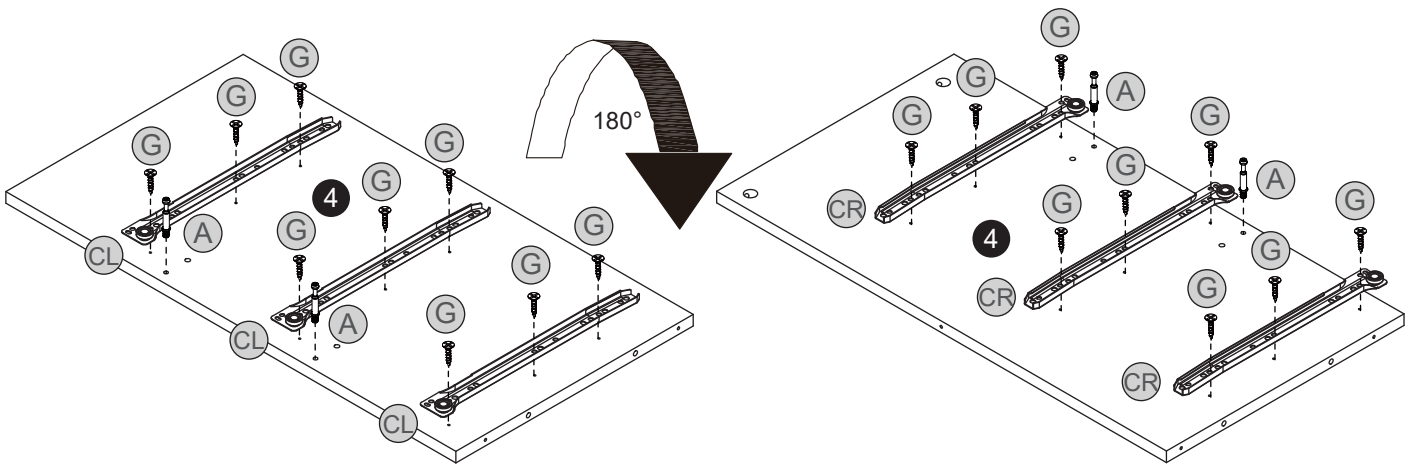
Step 1

A M6x35mm 8pcs	G Ø3x12mm 18pcs	CL 300mm 3pcs	CR 300mm 3pcs
--------------------------	---------------------------	-------------------------	-------------------------

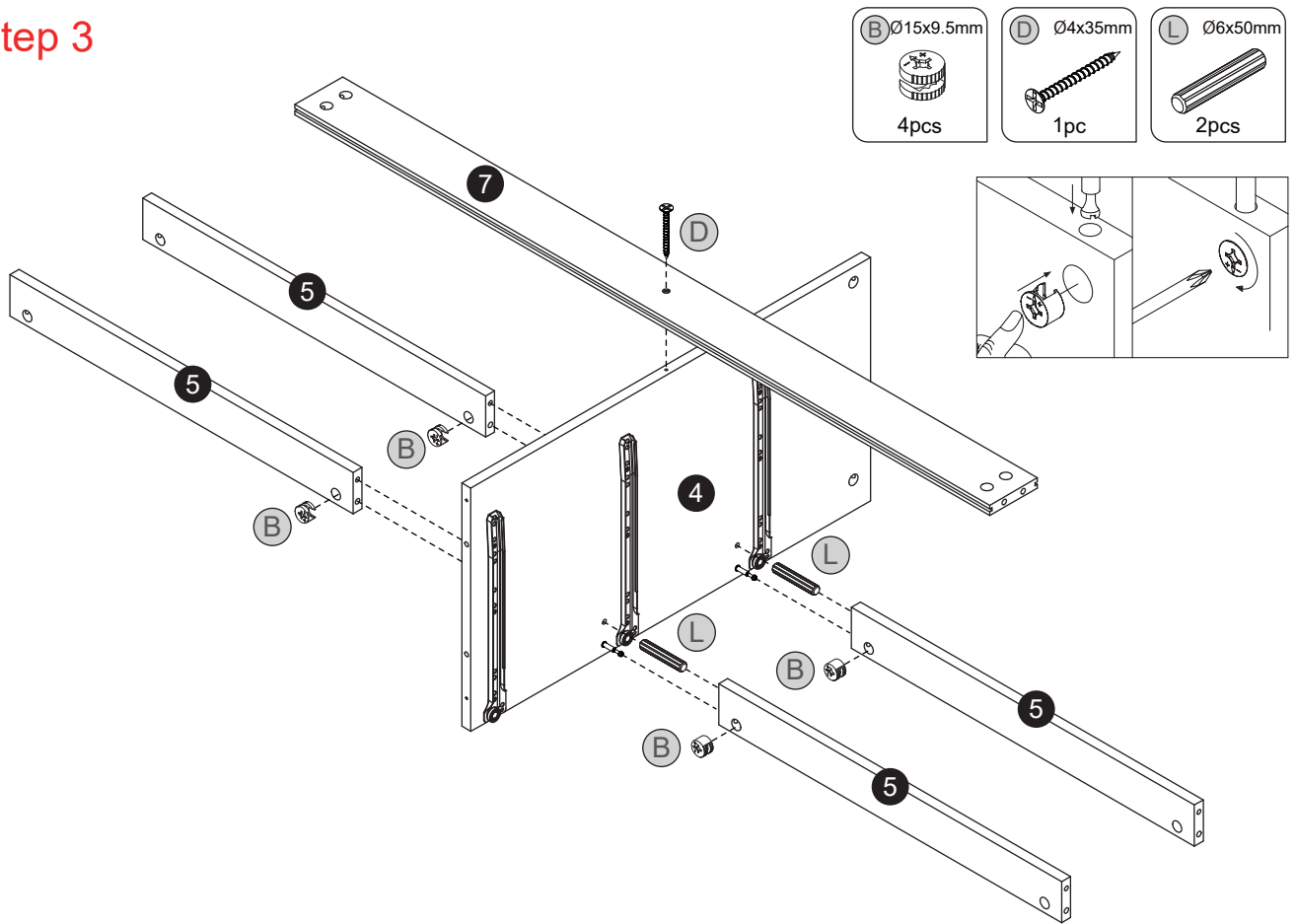


Step 2

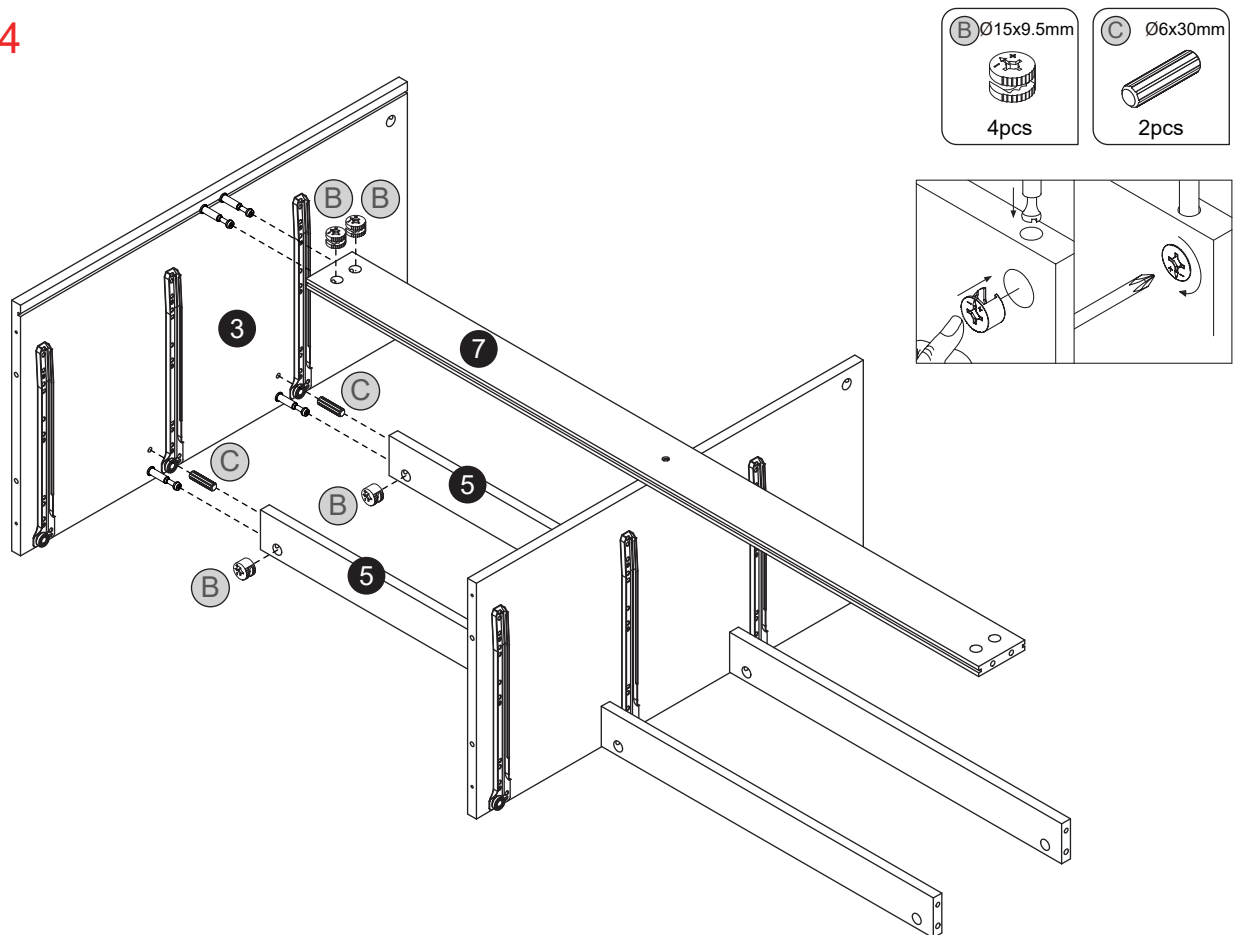
A M6x35mm 4pcs	G Ø3x12mm 18pcs	CL 300mm 3pcs	CR 300mm 3pcs
--------------------------	---------------------------	-------------------------	-------------------------




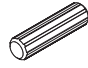
Step 3

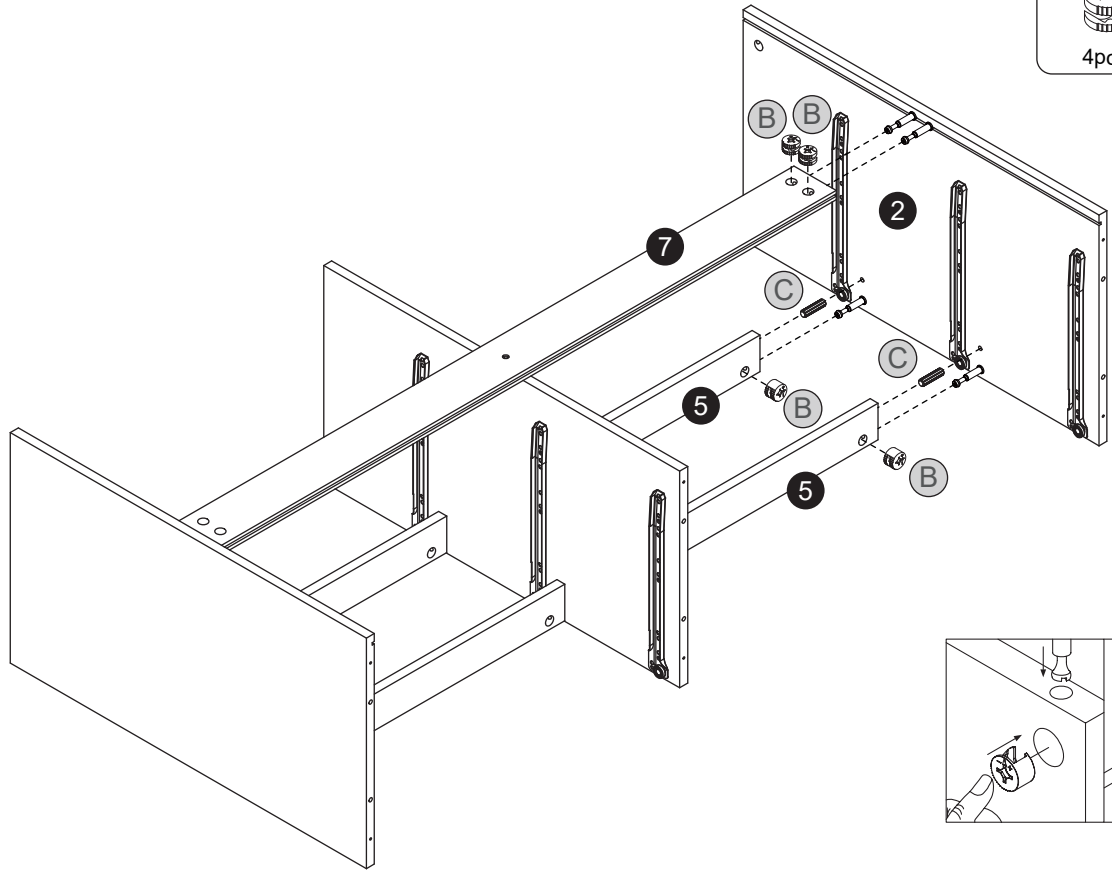


Step 4

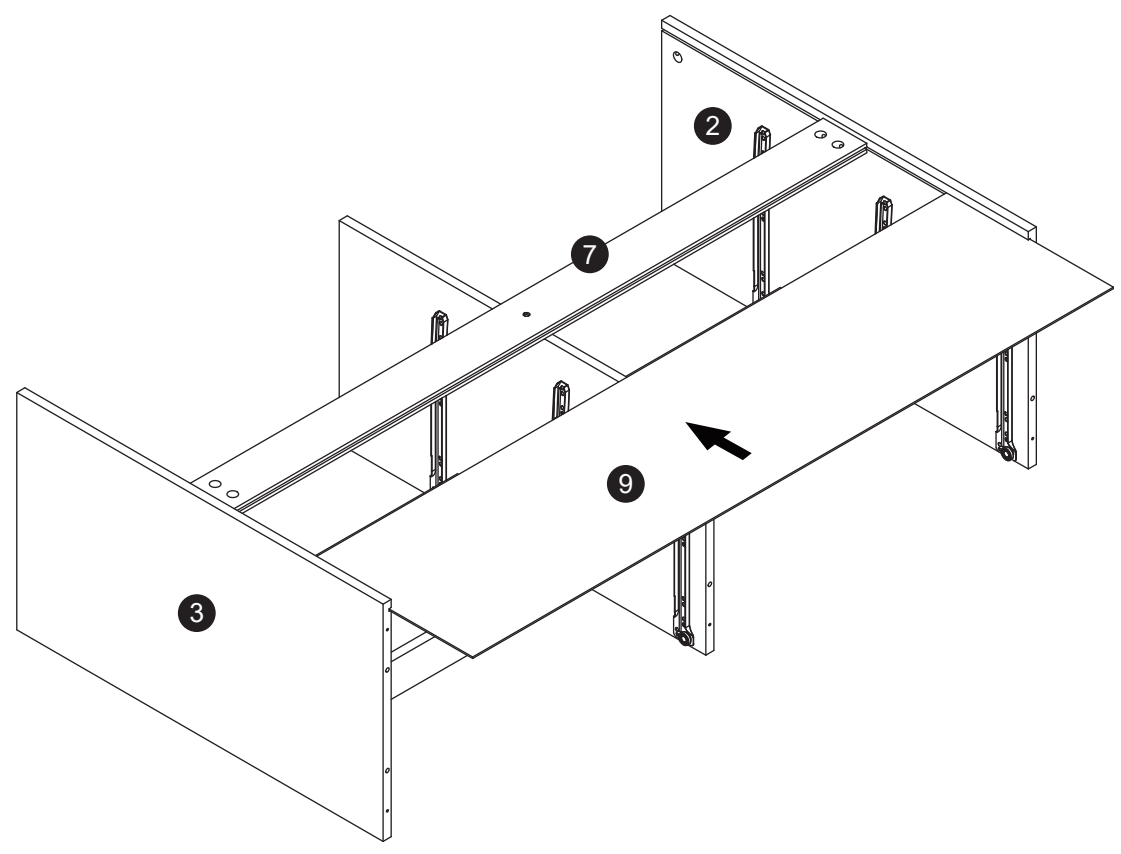


Step 5

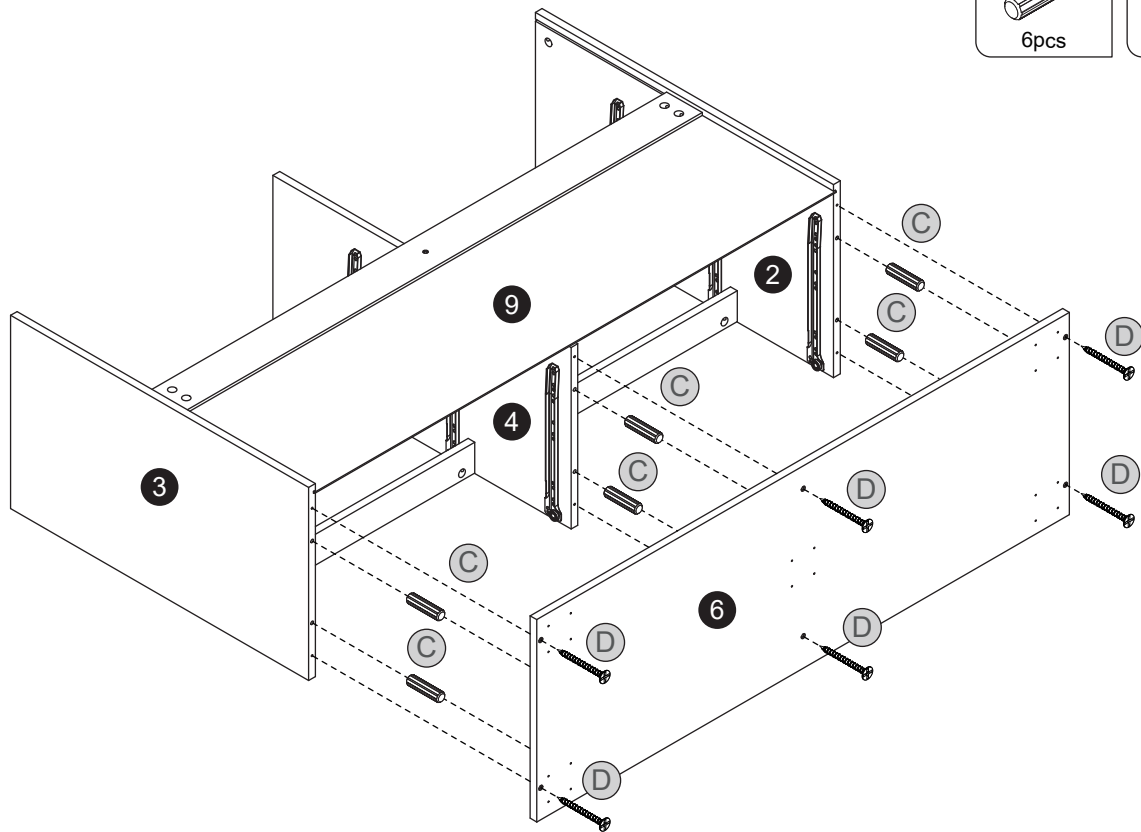
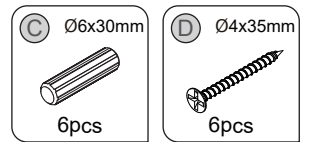
B Ø15x9.5mm  4pcs	C Ø6x30mm  2pcs
---	---



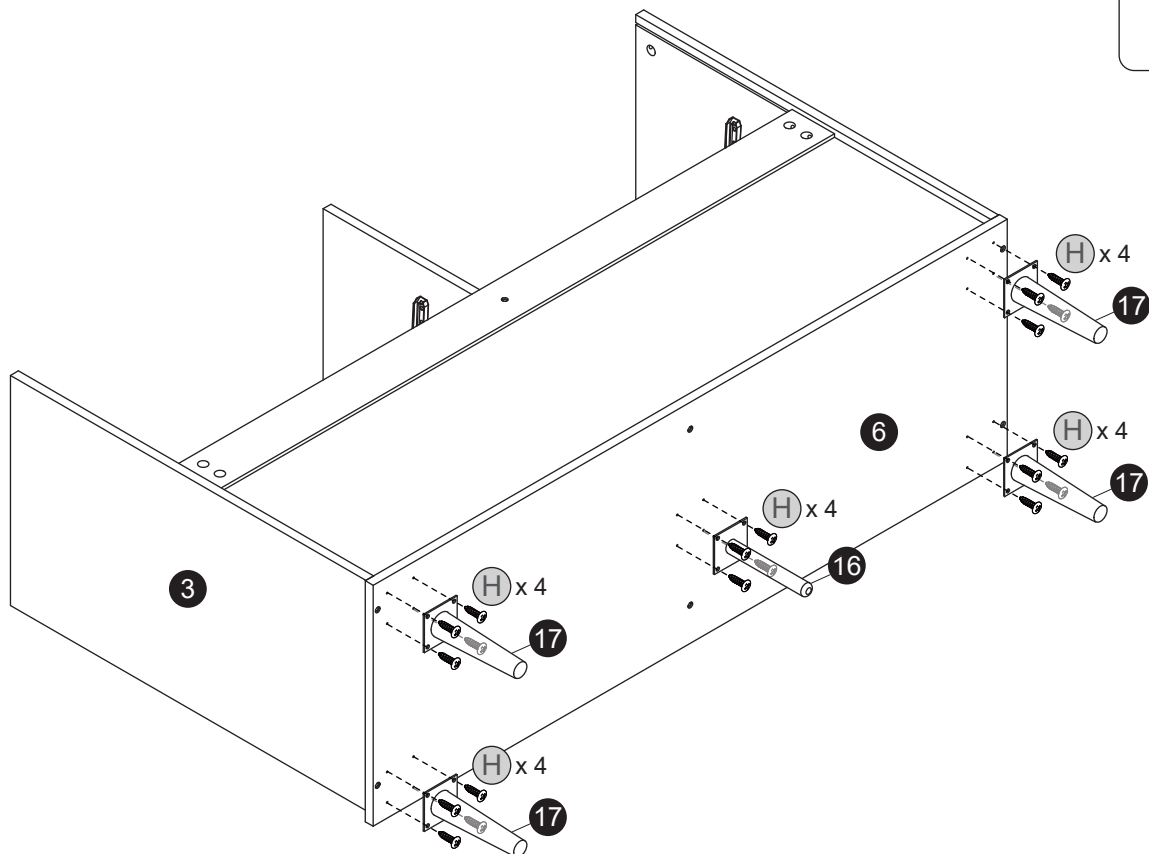
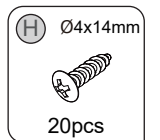
Step 6



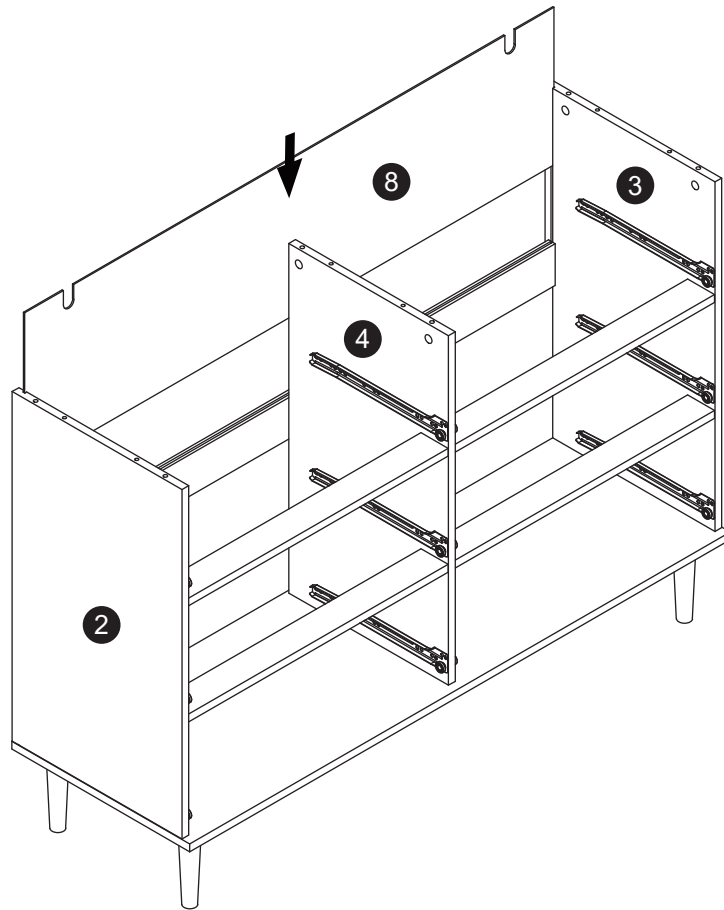
Step 7



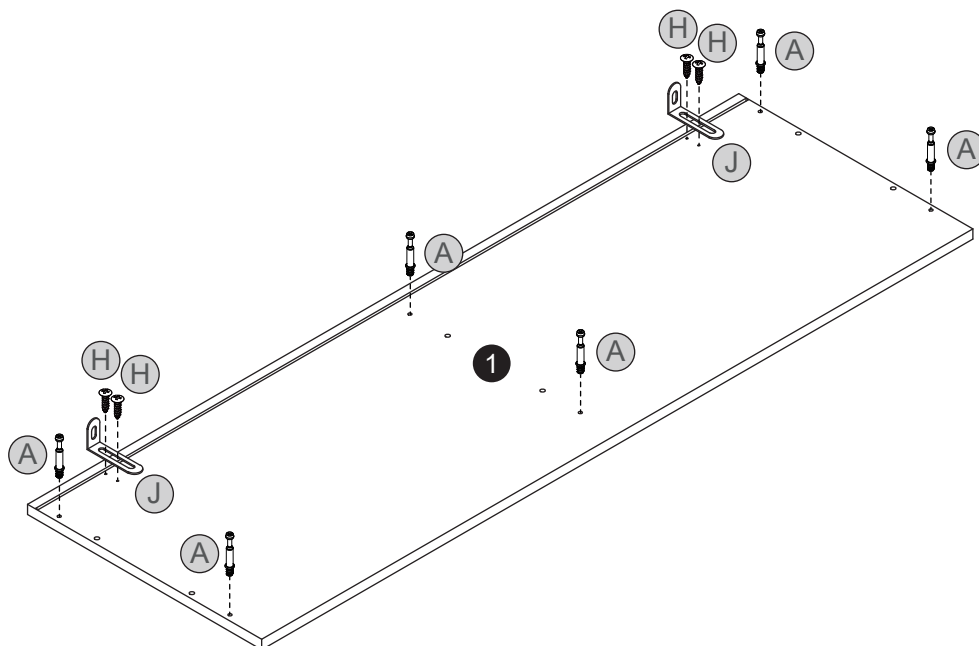
Step 8



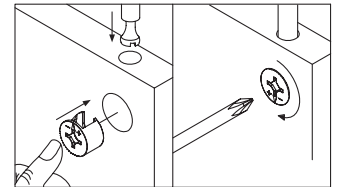
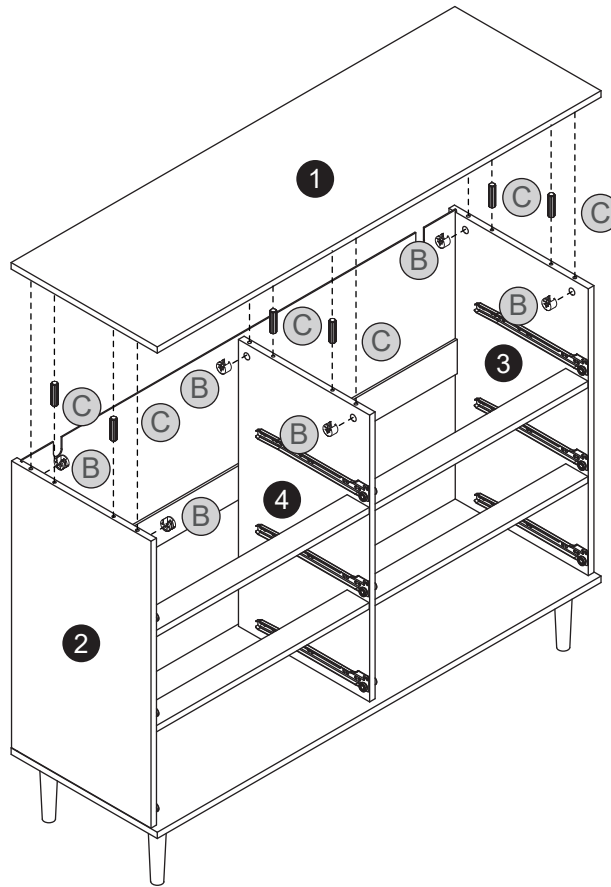
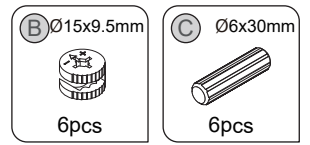
Step 9



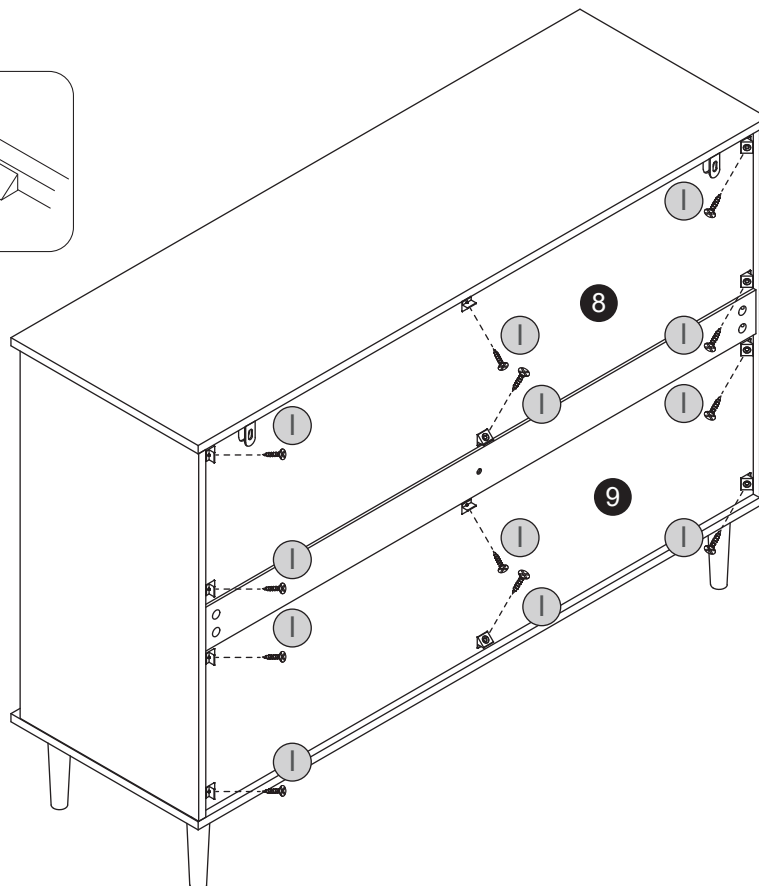
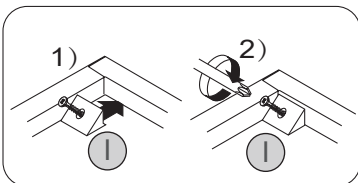
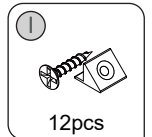
Step 10



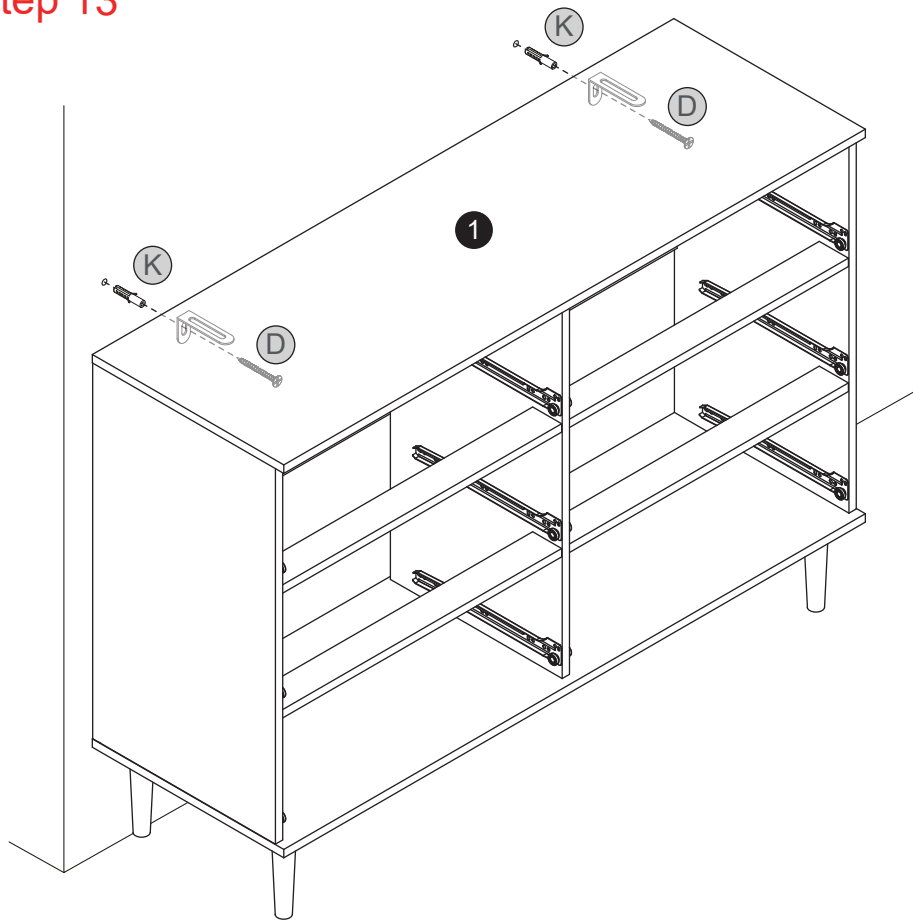
Step 11



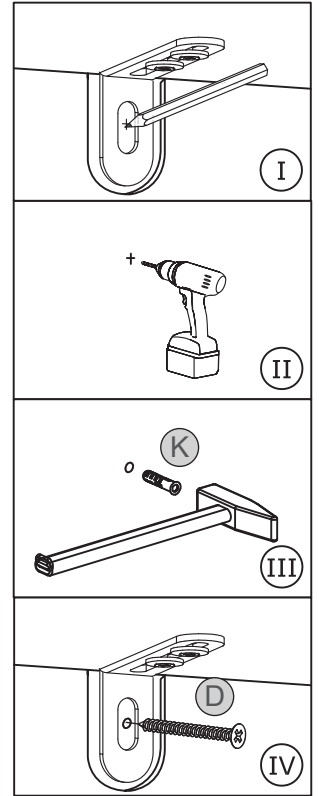
Step 12



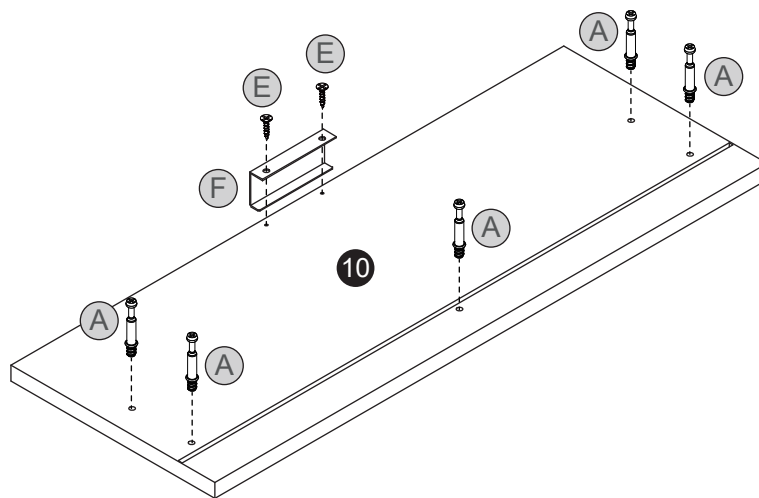
Step 13



- D** Ø4x35mm
2pcs
- K**
2pcs



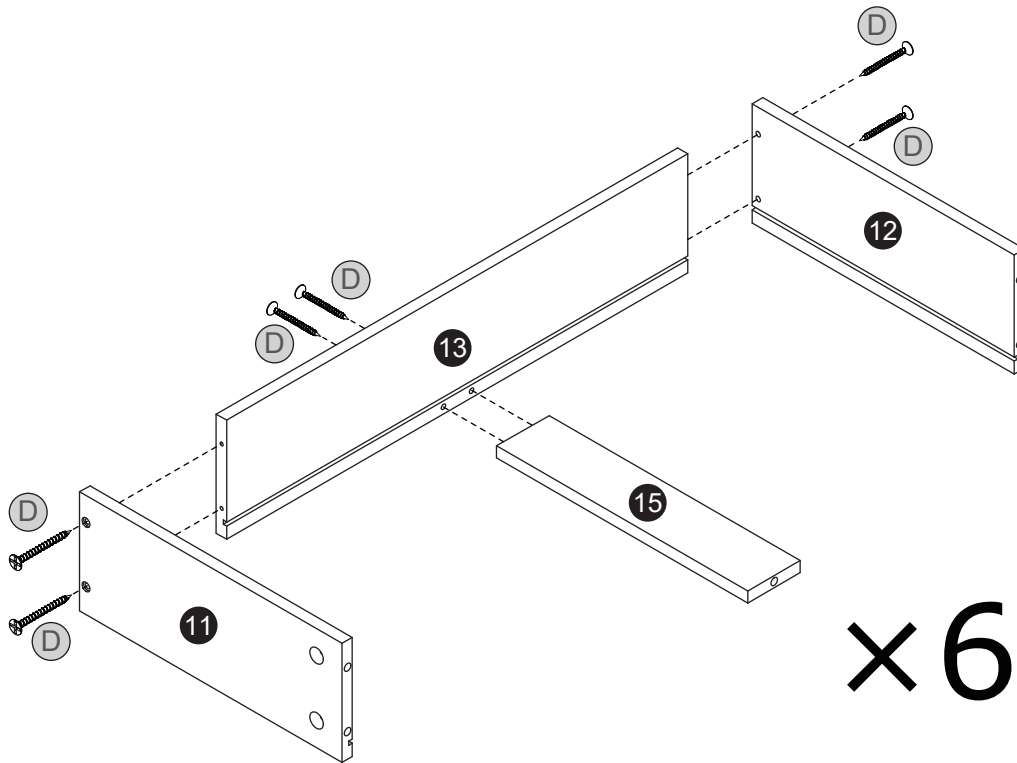
Step 14



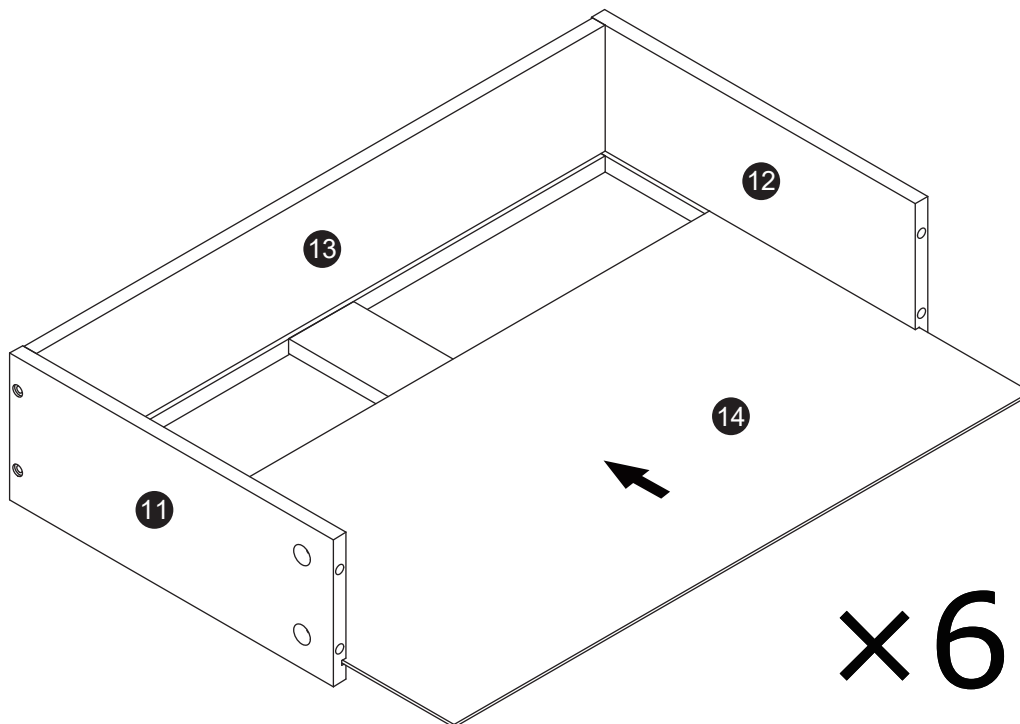
- A** M6x35mm
30pcs
- E** Ø3.5x14mm
12pcs
- F**
6pcs

× 6

Step 15

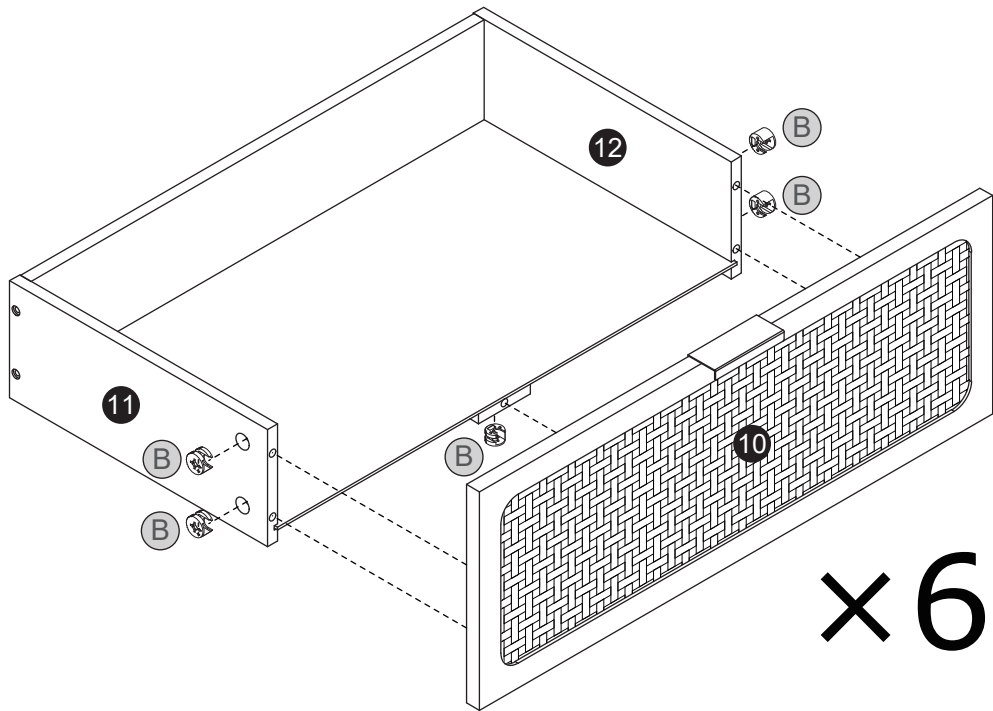


Step 16



Step 17

B $\varnothing 15 \times 9.5 \text{mm}$
30pcs

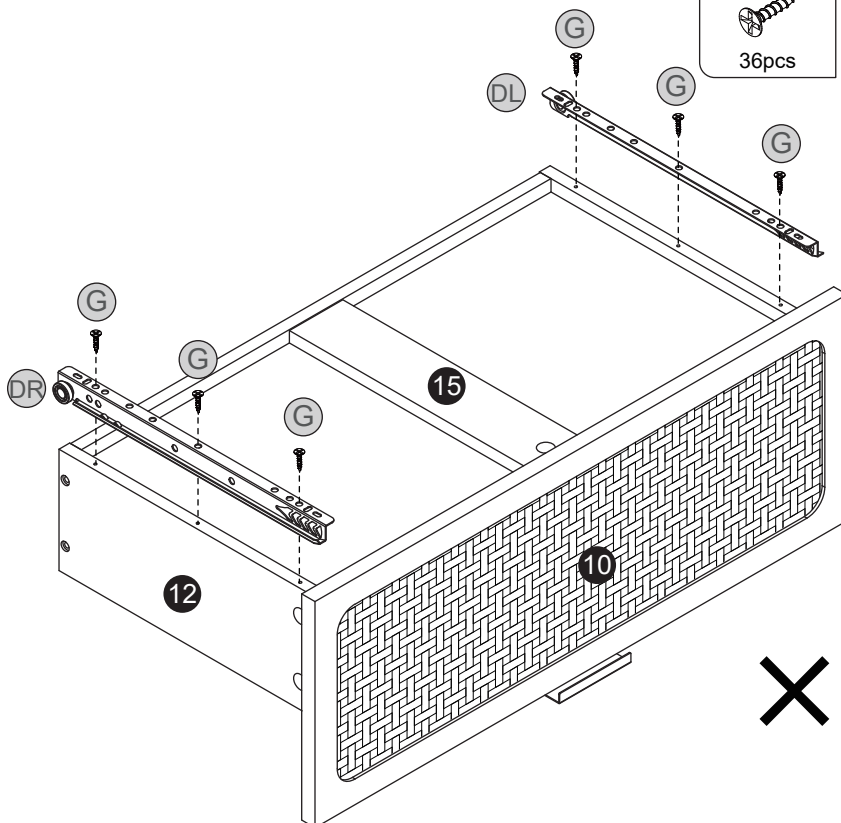


Step 18

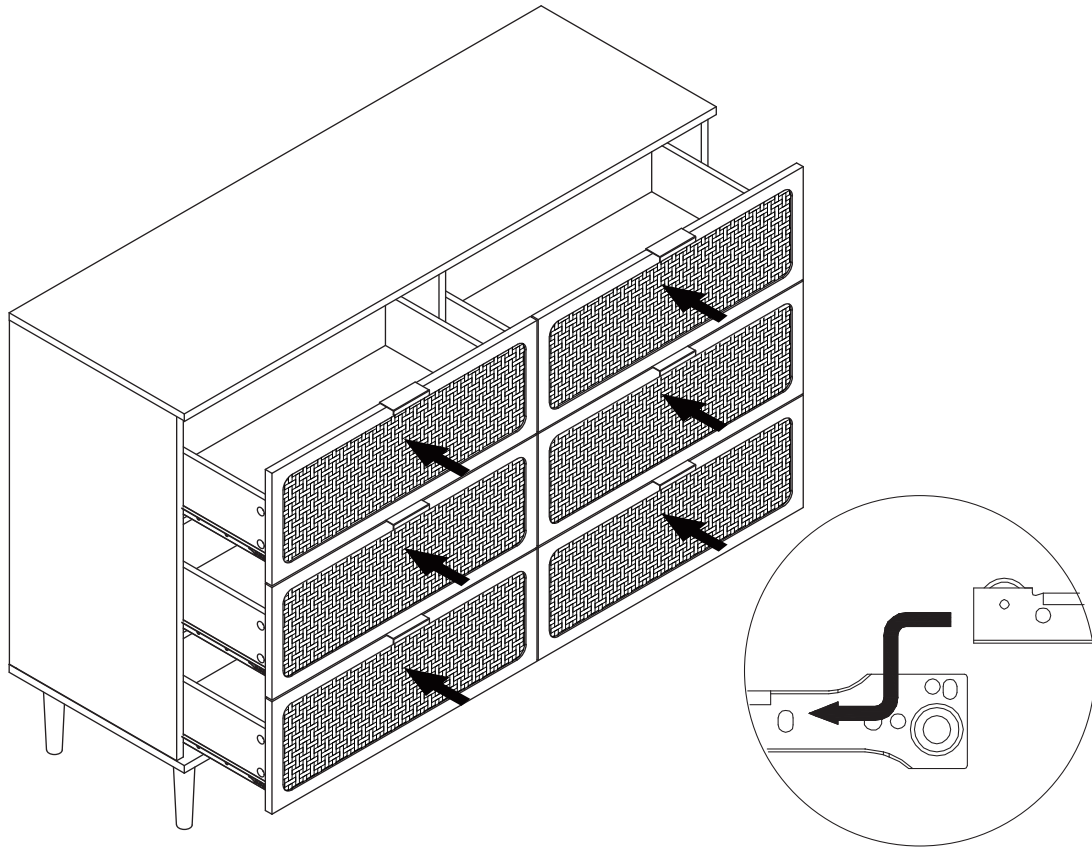
G $\varnothing 3 \times 12 \text{mm}$
36pcs

DL 300mm
6pcs

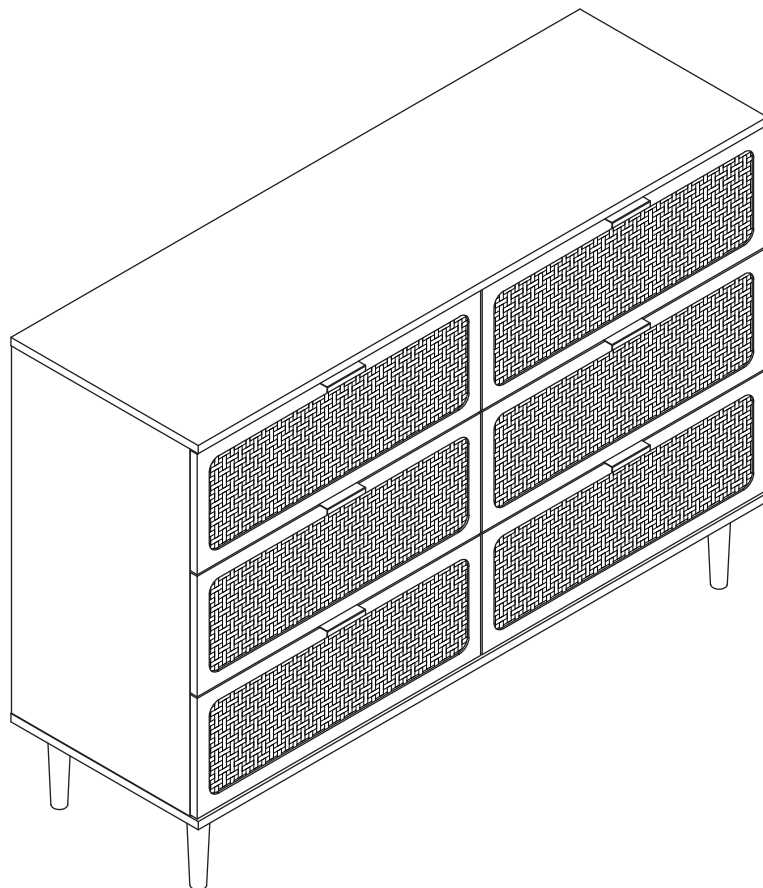
DR 300mm
6pcs



Step 19



Step 20



IMPORTANT SAFETY INFORMATION

Please carefully read the instructions and caution warnings below before assembling the product. Following this guide will ensure that you install, use and maintain the product properly.

- Please keep this installation and user manual/instructions for future reference in case you need to assemble the product.
- Do not assemble if you notice serious damage such as cracks or bends.
- During installation, please use work gloves for hand safety.
- Please assemble the unit on carpeted floor or the flat cardboard box to avoid scratching the surface or your floor while assembling on the floor.
- To assemble, please use the complimentary installation tools (Allen Wrench). Pay more attention to the direction of components at each steps.
- It is recommended that two people work together to assemble the product.
- Please do not tighten the screws up too much, just to 80% before you finish to make the installation go on successfully.

RETURN POLICY

We believe you will absolutely love your new product. But for some reason you want to return your item, please contact us within 30 days after receiving and ensure that the product which you want to return is in a good condition in the original box with all original certificates of purchase, manuals and accessories attached.

HOW TO MAINTAIN YOUR PRODUCT:

- Check the screws of the product are not loose from regular use.
- Do not use sharp instruments, rubbing alcohol, corrosive chemicals, or abrasive cleaners to clean the product.
- Do not keep the product in a damp environment for a long period of time. The damp environment may cause the iron components to rust and the plates to bulge and crack.

CAUTIONS!

