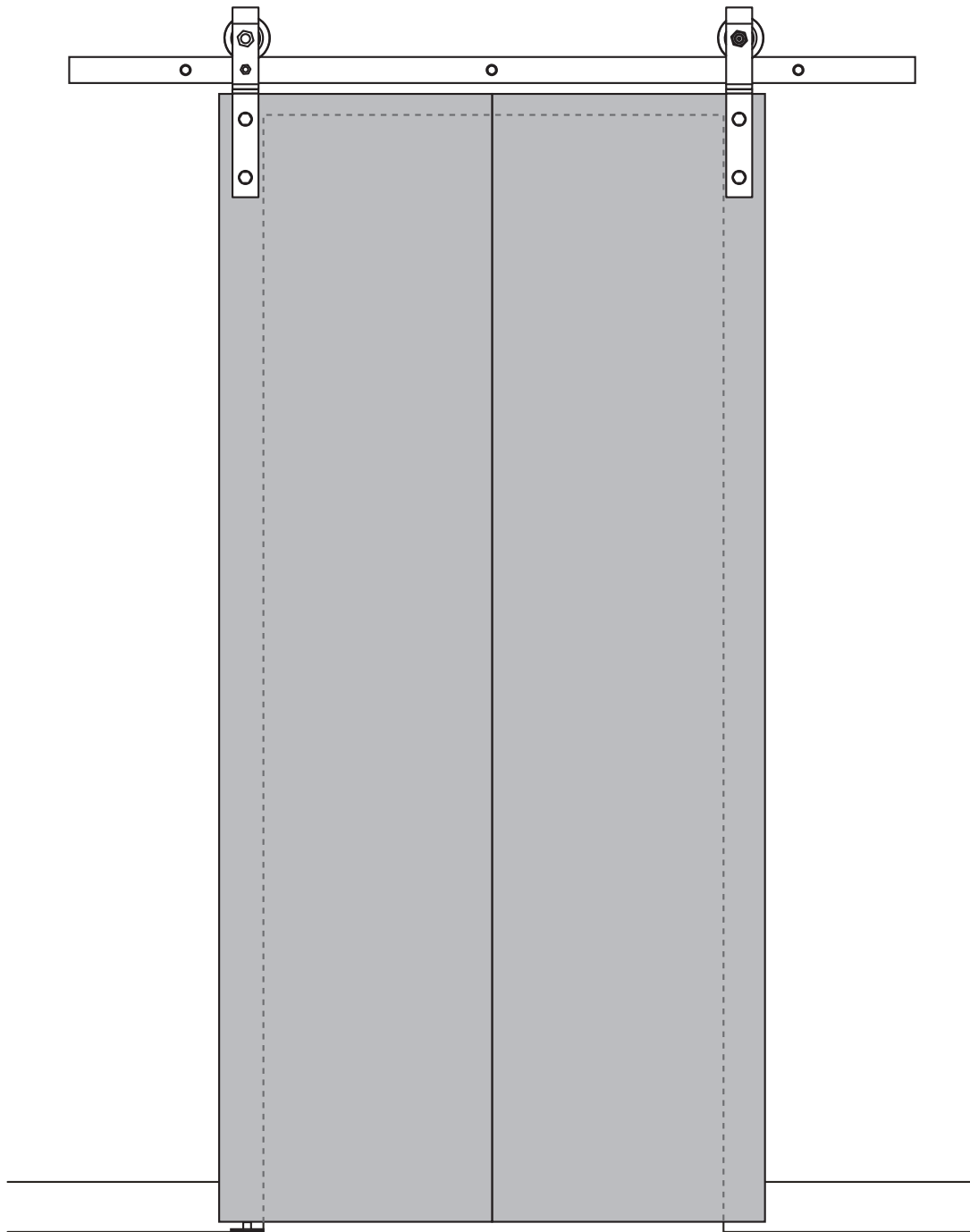


# Bifold Barn Door Hardware Kit

## INSTRUCTION MANUAL



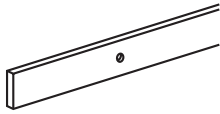
### OPERATION CAUTIONS:

Please read this installation guide carefully before installation.  
Please refer to the relevant content of this store for more product use.

# Hardware

1

Rail



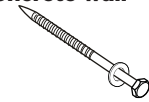
Ø10mm  
Anchor  
Just for concrete wall



Wall Spacer



M8x90mm  
Screw  
For wood stud and  
concrete wall



2

Fixed Roller(x1)



M5x26(x1)



(x1)



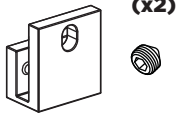
3

Adjustable Roller(x1)



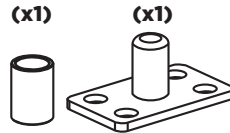
4

Fixed Roller Lock  
Bracket(x1)



5

Bottom Pivot Plate  
& Sleeve



Ø8(x4)



ST4.2X32(x4)



6

Bi-Fold Door Butt  
Hinges(x3)



7

Front-Mount Top  
Connector Plates(x2)



M10x60 (x 4)  
bolts for 40-45mm door



M10x55 (x 4)  
bolts for 35-40mm door

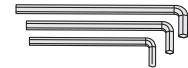


ST4.8X32(x4)



8

Hex Key(x3)



# Tools required



Speed Square



Pencil



Phillips  
Screwdriver



Tape



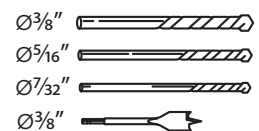
Wrench



Level

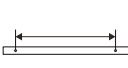
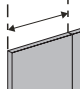
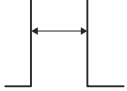
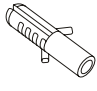
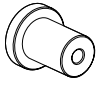
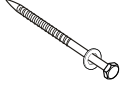
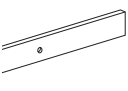
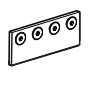


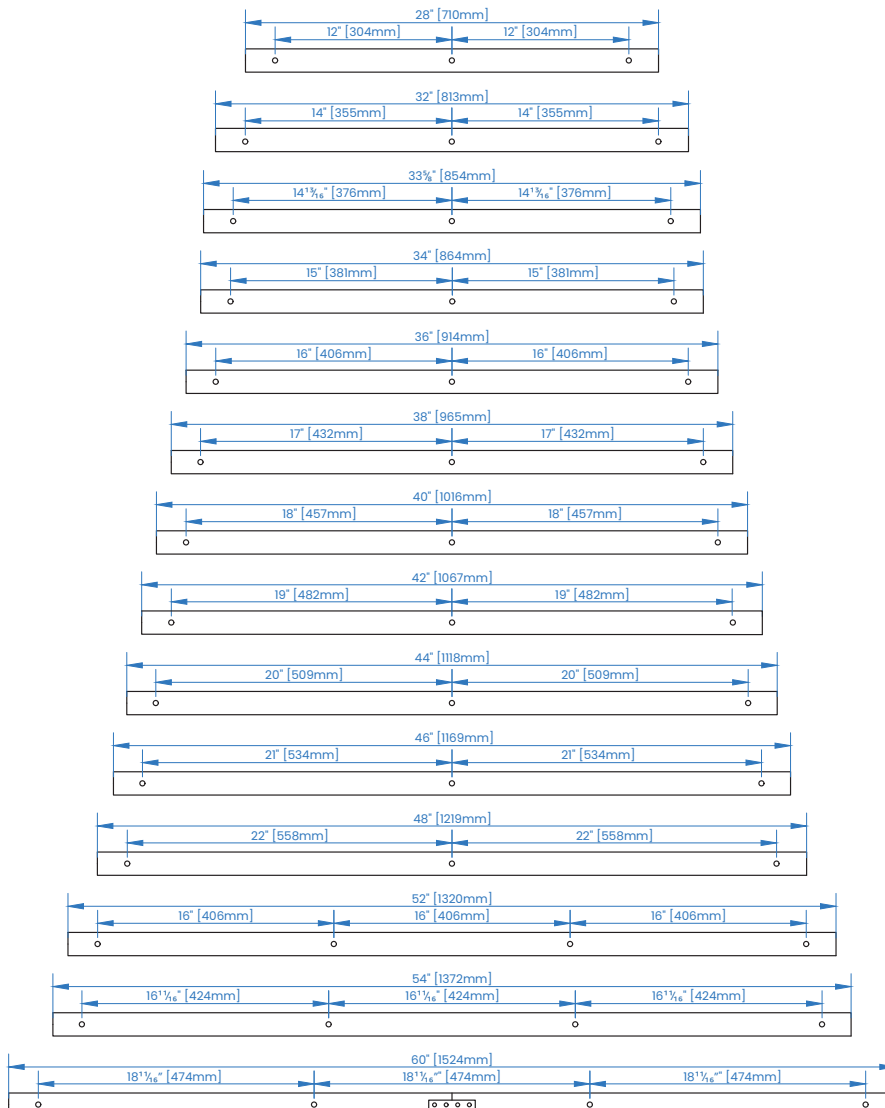
Drill



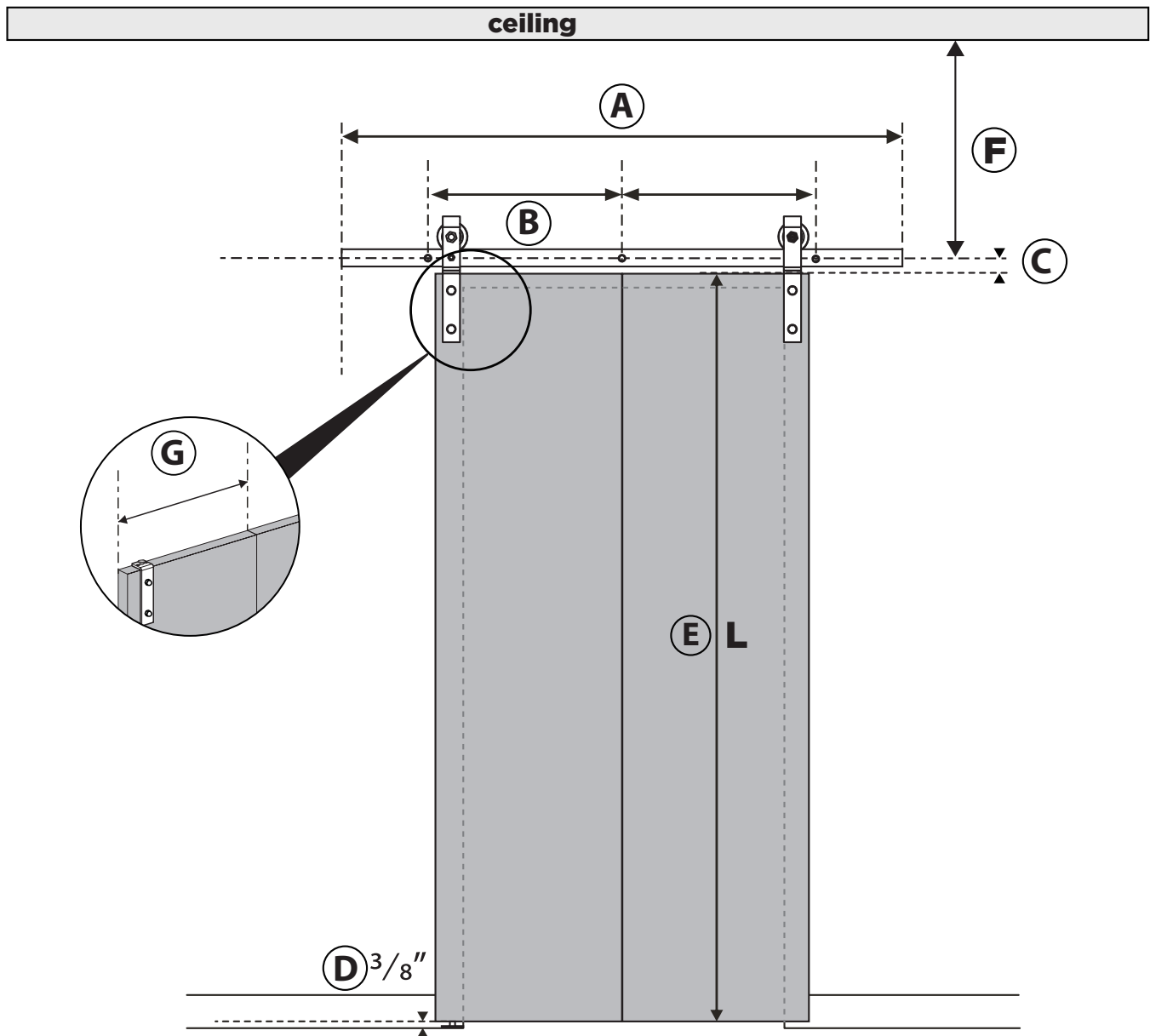
Drill Bit

## Number of Parts in Different Sizes

								
Size / Part Name	Spacing of holes on the track	Maximum Single Door Width	Maximum Door Opening Width	Ø10mm Anchor	Wall Spacer	M8x90mm Screw	Rail	Connector
28inch	12"	13"	26"	3	3	3	1	—
32inch	14"	15"	30"	3	3	3	1	—
33 <sup>5</sup> / <sub>8</sub> inch	14 <sup>13</sup> / <sub>16</sub> "	15 <sup>13</sup> / <sub>16</sub> "	31 <sup>5</sup> / <sub>8</sub> "	3	3	3	1	—
34inch	15"	16"	32"	3	3	3	1	—
36inch	16"	17"	34"	3	3	3	1	—
38inch	17"	18"	36"	3	3	3	1	—
40inch	18"	19"	38"	3	3	3	1	—
42inch	19"	20"	40"	3	3	3	1	—
44inch	20"	21"	42"	3	3	3	1	—
46inch	21"	22"	44"	3	3	3	1	—
48inch	22"	23"	46"	3	3	3	1	—
52inch	16"	25"	50"	4	4	4	1	—
54inch	16 <sup>1</sup> / <sub>16</sub> "	26"	52"	4	4	4	1	—
60inch	18 <sup>1</sup> / <sub>16</sub> "	29"	58"	4	4	4	2	1



## Measurements



- A** Overall Rail length is 28inch,32inch,**33<sup>5</sup>/<sub>8</sub>**inch,34inch,36inch,38inch,40inch,42inch,44inch,46inch,48inch,52inch,54inch,60inch.
- B** The gap between each pre-drilled hole is detailed in **Number of Parts and Information of Different Sizes.**
- C** Distance from door top side to holes on the wall is 1<sup>9</sup>/<sub>16</sub>".
- D** Distance from the bottom of the door to the floor is <sup>3</sup>/<sub>8</sub>".
- E** **Door height is L.**
- F** **Minimum distance from the rail hole to the ceiling is 6".**
- G** The maximum width for single door is detailed in **Number of Parts and Information of Different Sizes.**

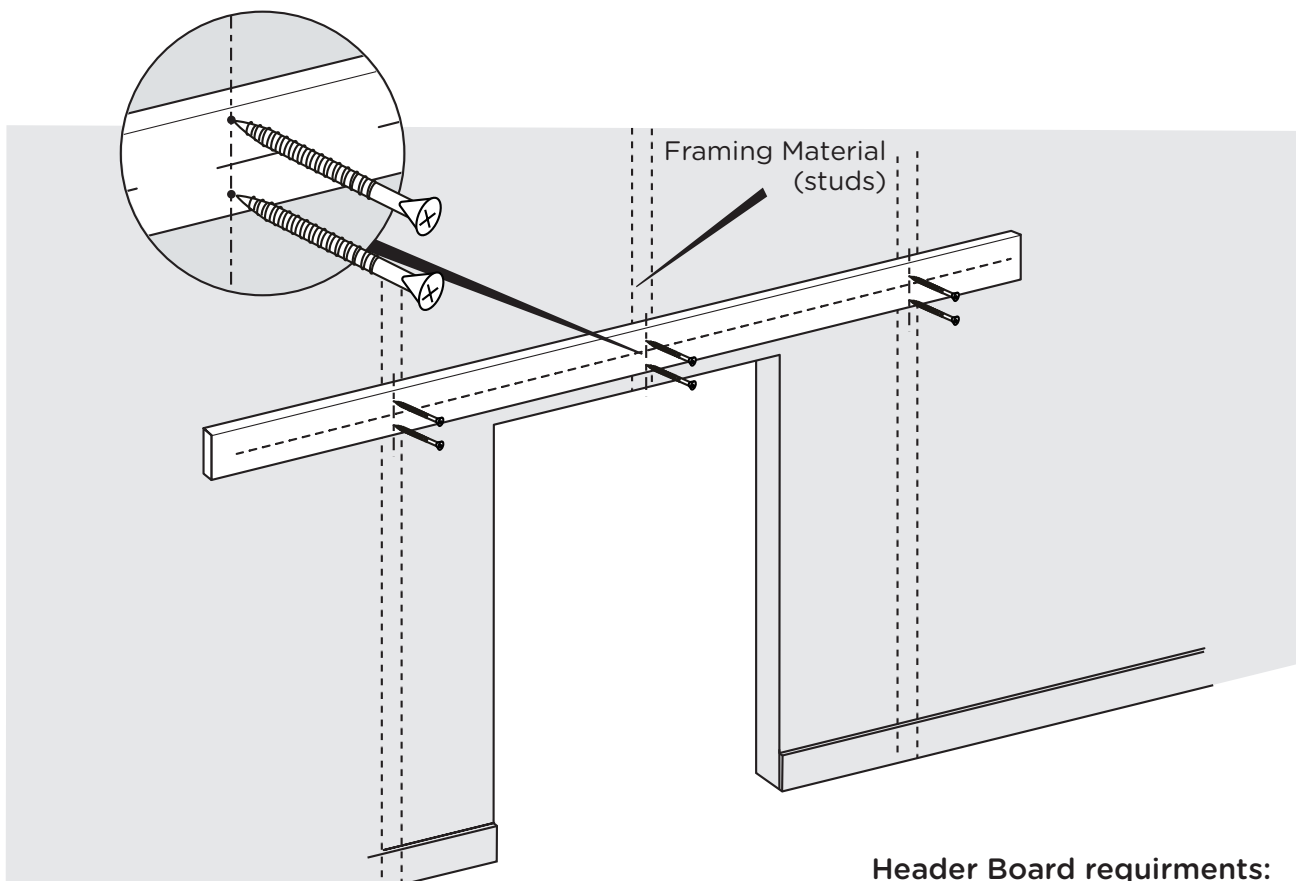
## Important Notes

The following installation steps take a **38inch** track as an example. Please refer to the **[Number of Parts in Different Track Sizes]** for the quantity of accessories for different sizes of tracks

### **It is very important to determine whether you need to install a Header Board before you install the track.**

IF you meet the following situations, we highly recommend you using a Header Board.

- If the gap between each pre-drilled holes of the track you purchased is not 16" (you can read the information about the gap between pre drilled holes in the **Number of Parts and Information of Different Sizes**).
- IF your wall studs are not 16" on center which won't line up with our rail
- IF your wall type is non-concrete wall, is drywall or other wall type(as this may not support the weight of the track and mounted door)
- IF there is a doorway trim



**Header Board requirements:**  
1"x 4" or 1" x 6" Size  
Made of solid wood  
Same length as your track length or longer

**Attention: Header Board & the screws to install header board are not included. You can buy them online or offline.**

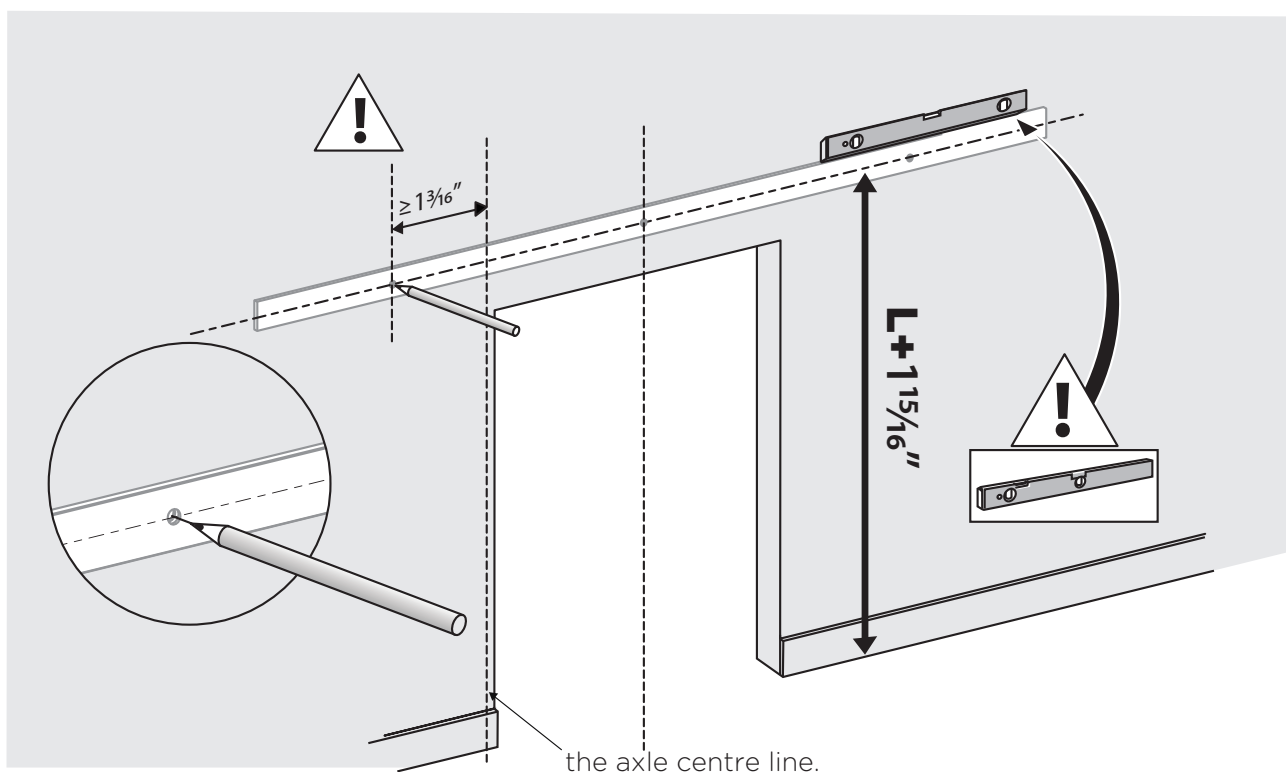
## Product Assembly

### Step-1

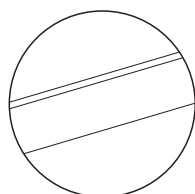
- Use a Level and Tape Measure to mark the center line of the track. As is shown in part in the picture above, the height of the center line (measuring up from the floor) is the height of your door PLUS  $1\frac{15}{16}$ ".
- Position the track in place by the marked center line, ensuring it is level, and use the track as a template to mark mounting holes location for the track with a pencil.
- According to the marked track position, perpendicular to the track horizontal line, mark the position of the axle centre line of the fixed axis with a pencil. It is necessary that the distance from the axis line to the first hole position shall more than  $1\frac{3}{16}$ " to ensure that the hole positions of the axle centre line and the holes of rail will not interfere with each other.

### See installation tip below.

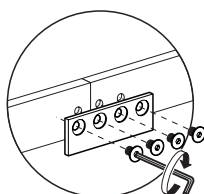
Make sure that the door can cover the door opening during rotation before you mark the axle centre line.



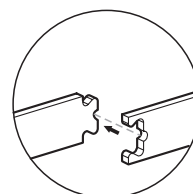
Please choose the installation method for the track based on the type of your track accessories.



One-Piece Track



Connector connection method



Wedge embedded connection method

### INSTALLATION TIP:

To mark the holes more conveniently, you could install track with one end bolt without spacer, which helps fix one end of the track. And then you can move the free end to ensure the track level to mark mounting holes.

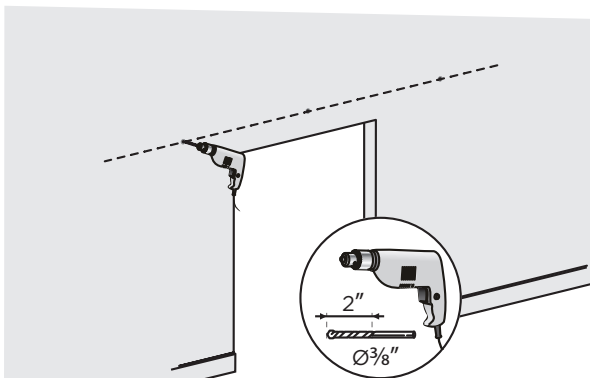
## Product Assembly

### Step-2

Drill the marked holes with drill bits. Notice: The hole sizes of the 2 walls are different.

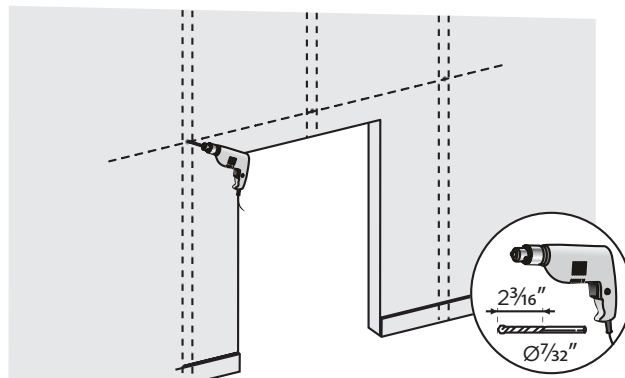
#### A Concrete Wall

Drill the holes with  $\frac{3}{8}$ " drill bit



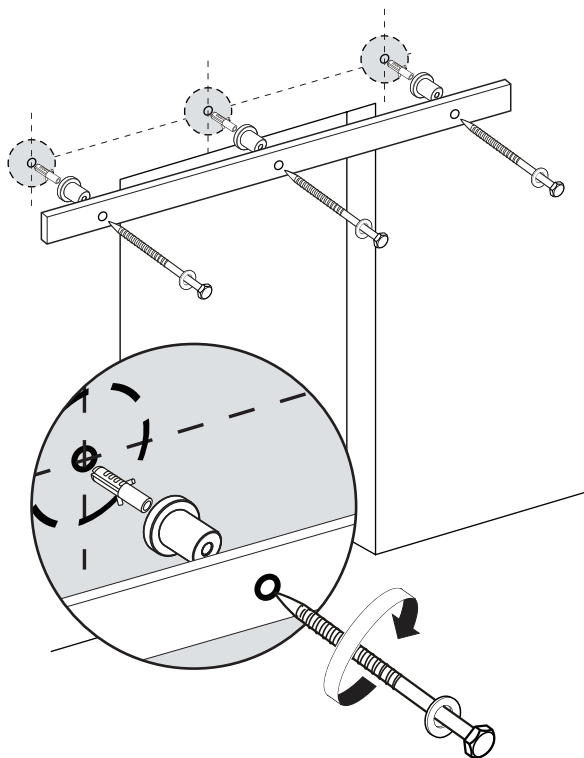
#### B Drywall & Other Wall Type

Drill the pilot holes directly with the drill bit which is smaller than  $\frac{7}{32}$ "



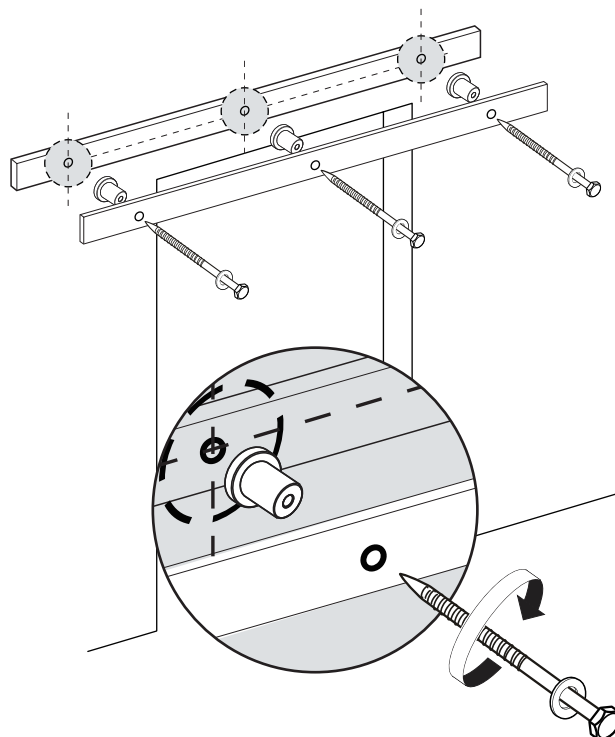
### Step-3

We provide 2 kinds of screws for you to install rail onto concrete wall or drywall.



#### A Concrete wall Installation.

Install the anchor to holes on the concrete wall first, then insert lag bolt to wall spacer and anchor.



#### B Drywall Installation.

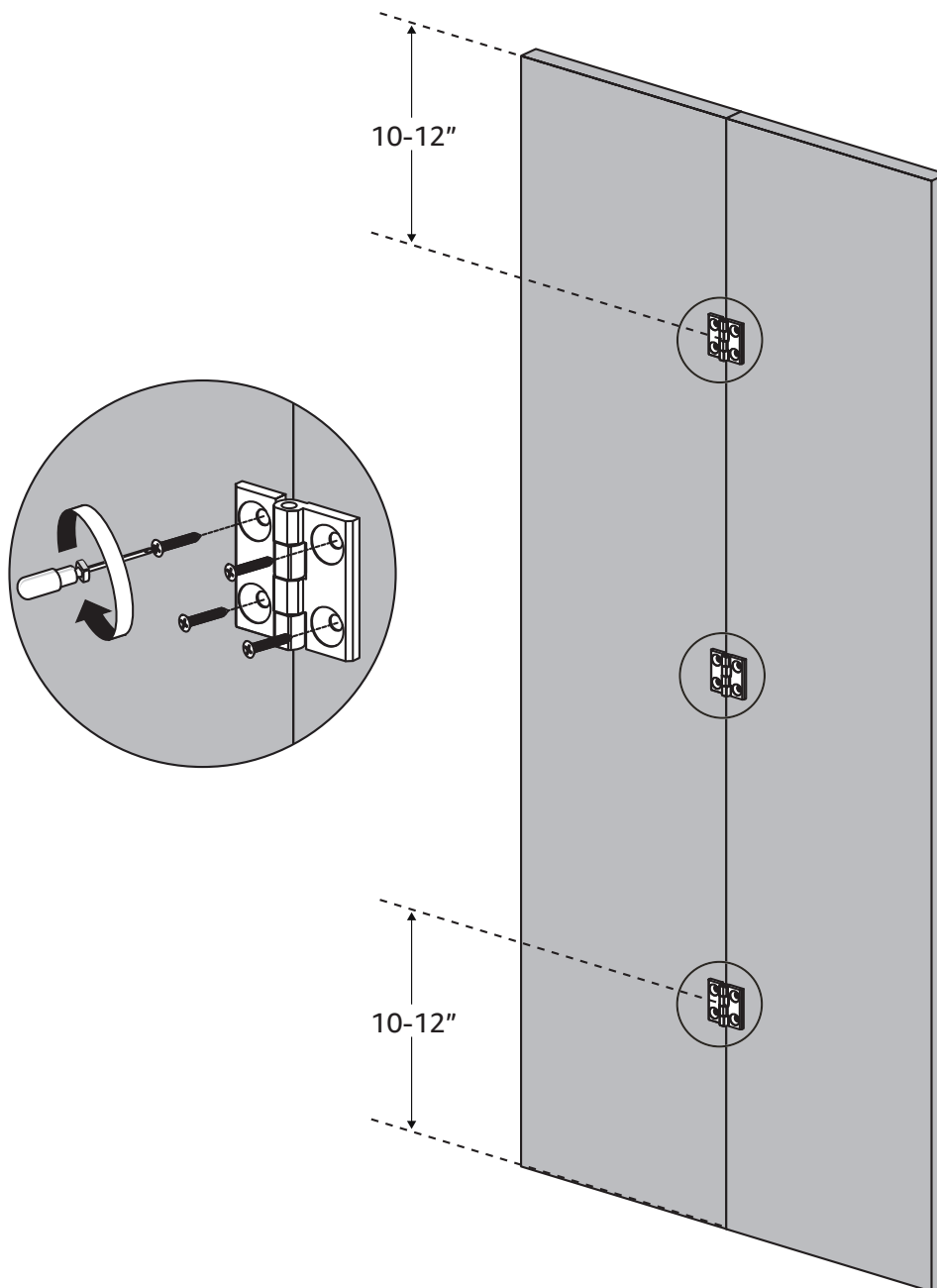
Insert the lag bolt to wall spacer and holes directly.

## Product Assembly

### STEP-4

Installing BiFold butt hinges on the back for the doors

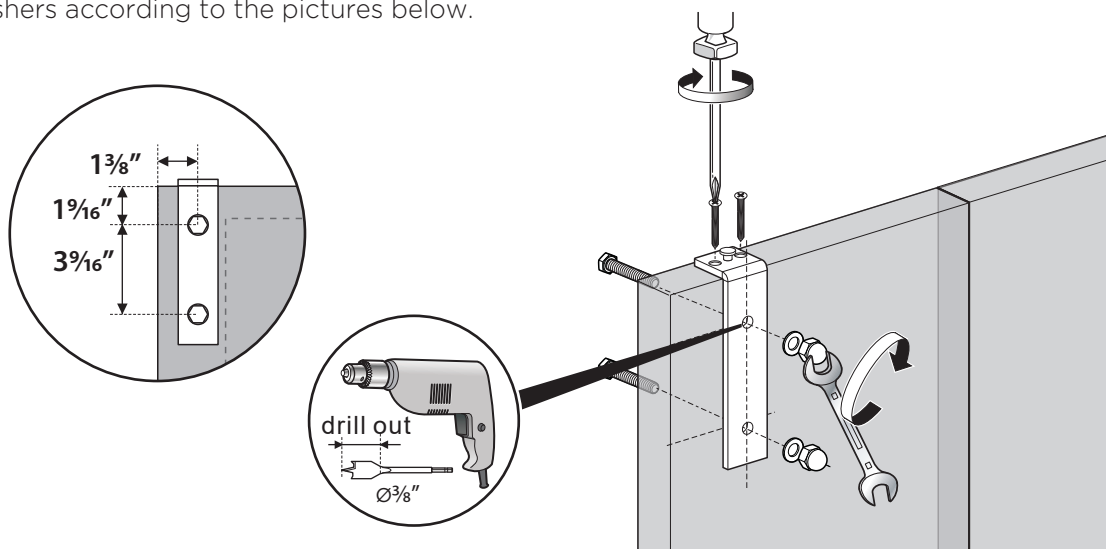
- Lay the doors to be joined together face down on a flat surface.
- Space the hinges approximately 10"-12" down from the top and up from the bottom of the doors. Install a hinge in the middle of the door.
- Align the hinge knuckle parallel and directly over the joint between the two doors. Using a drill bit, predrill the fastener holes.
- Secure the hinges to the door with the supplied flathead screws



## Product Assembly

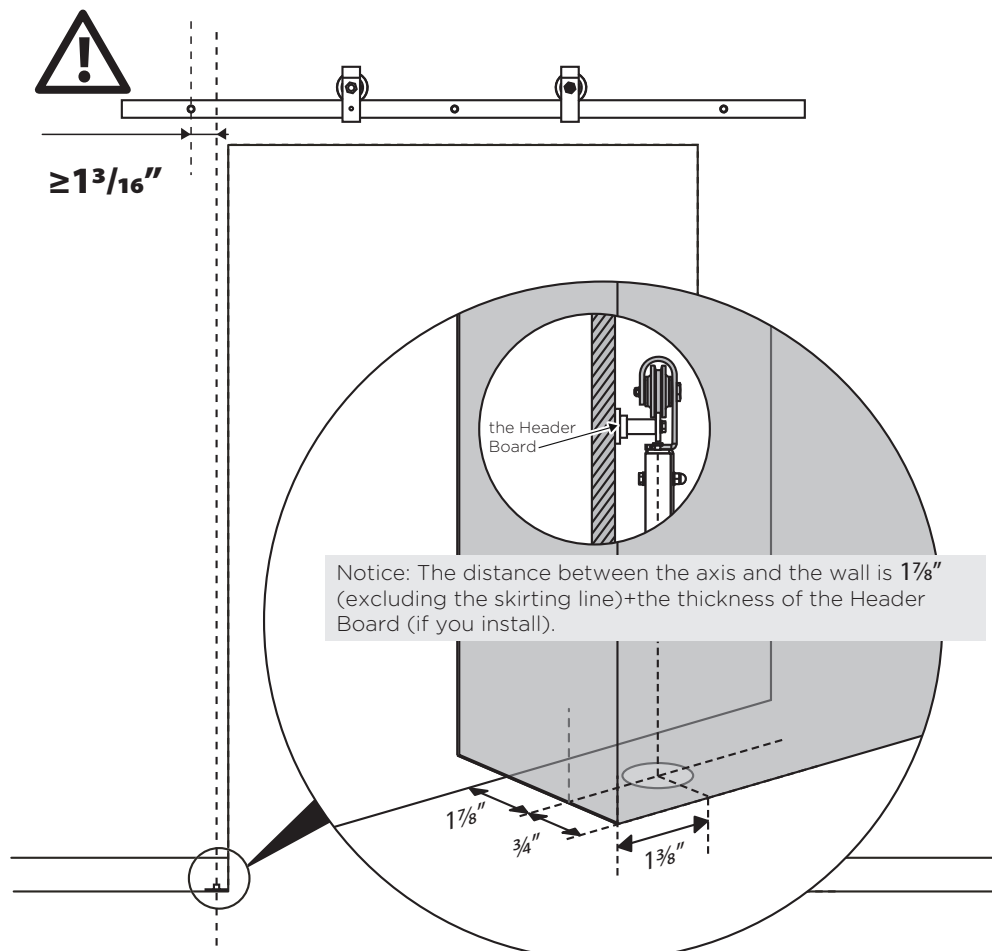
### STEP-5

- Measure  $1\frac{3}{8}$ " from the front edge of the door and scribe an intersecting line  $1\frac{9}{16}$ " and  $5\frac{1}{8}$ " ( $=1\frac{9}{16}" + 3\frac{9}{16}"$ ) down from the top of the door for the center hole position of the fasteners.
- Drill  $\frac{3}{8}$ " through holes in the door for the fasteners and drill  $\frac{1}{8}$ " holes on the top of the door for the top plate.
- Mount the front mount top connector plates to the door with the supplied screws, lag bolts and washers according to the pictures below.



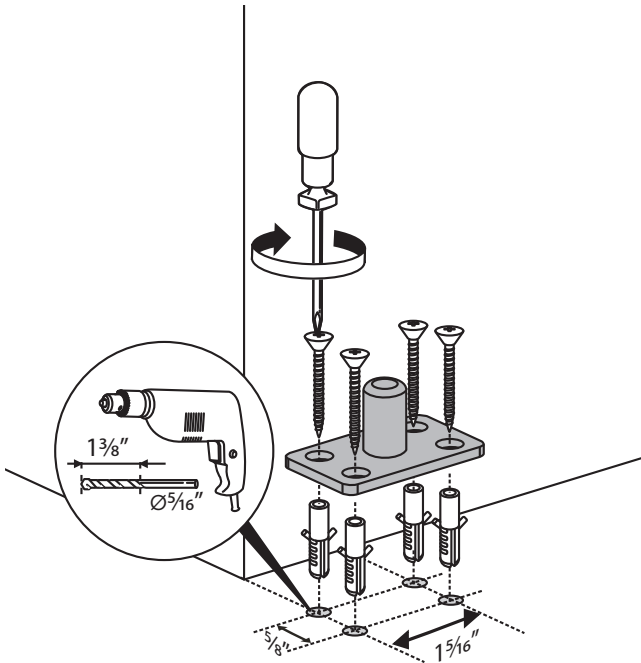
### STEP-6

- Determine pivot of the position of the Bottom Pivot Plate according to the marked axle centre line in the Step-1

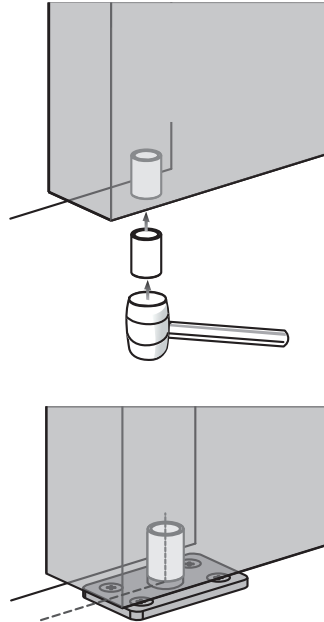


# Product Assembly

**B** Install the Bottom Pivot Plate according to the pictures below.

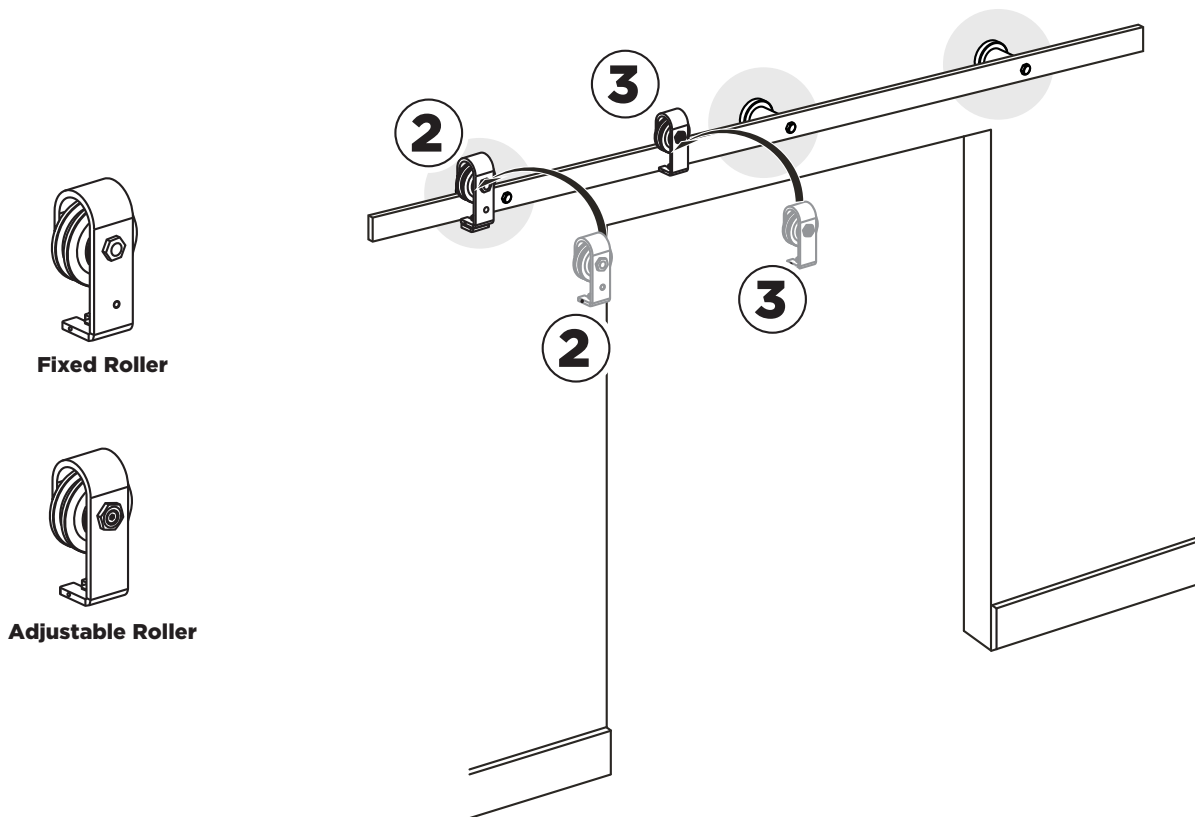


**C** Using a bit, drill a hole and insert the brass sleeve. The brass sleeve needs to align with the center of the top connector plate used with the fixed roller.



## STEP-7

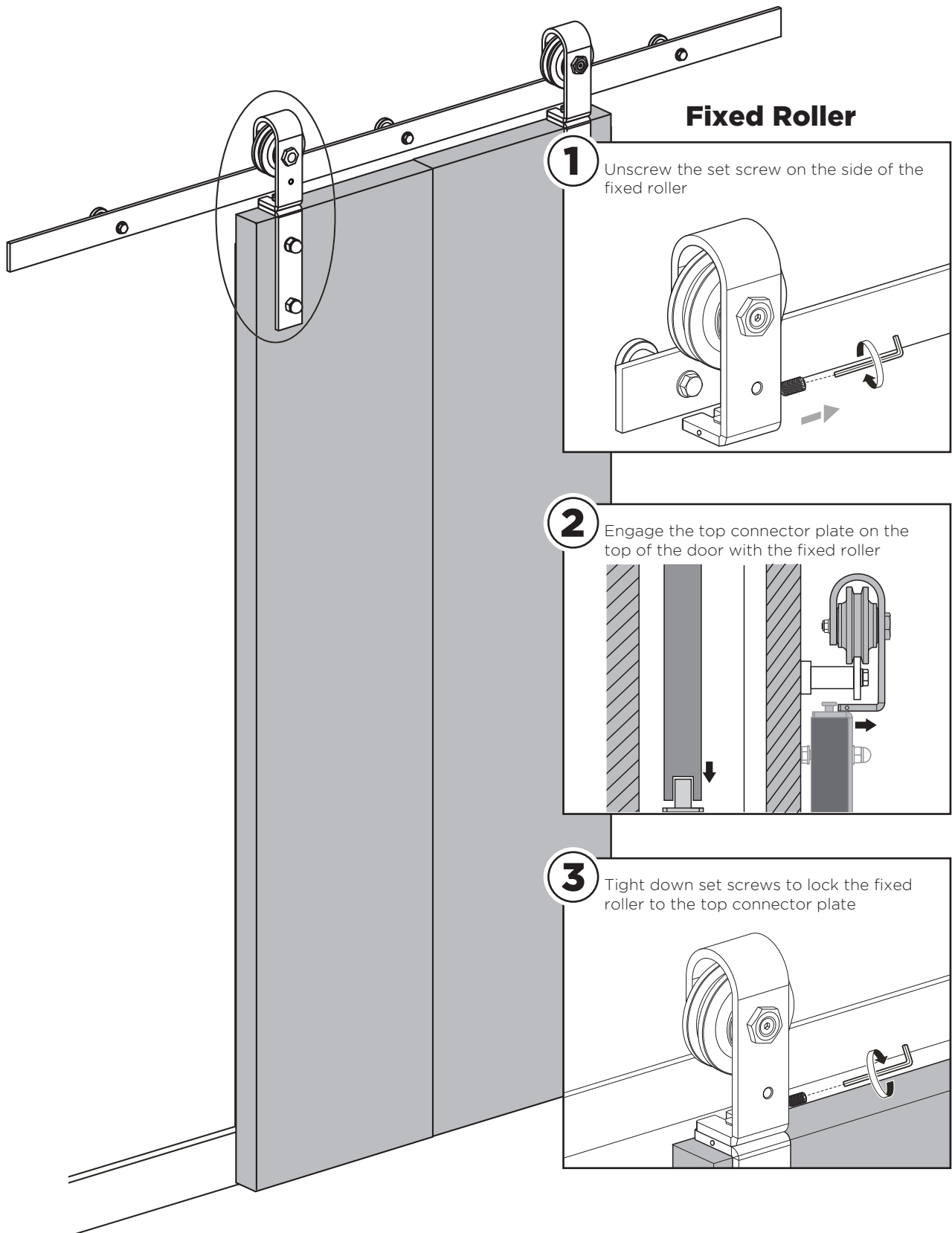
Hang the fixed roller and the adjustable roller in the correct positions on the rail



## Product Assembly

### STEP-8

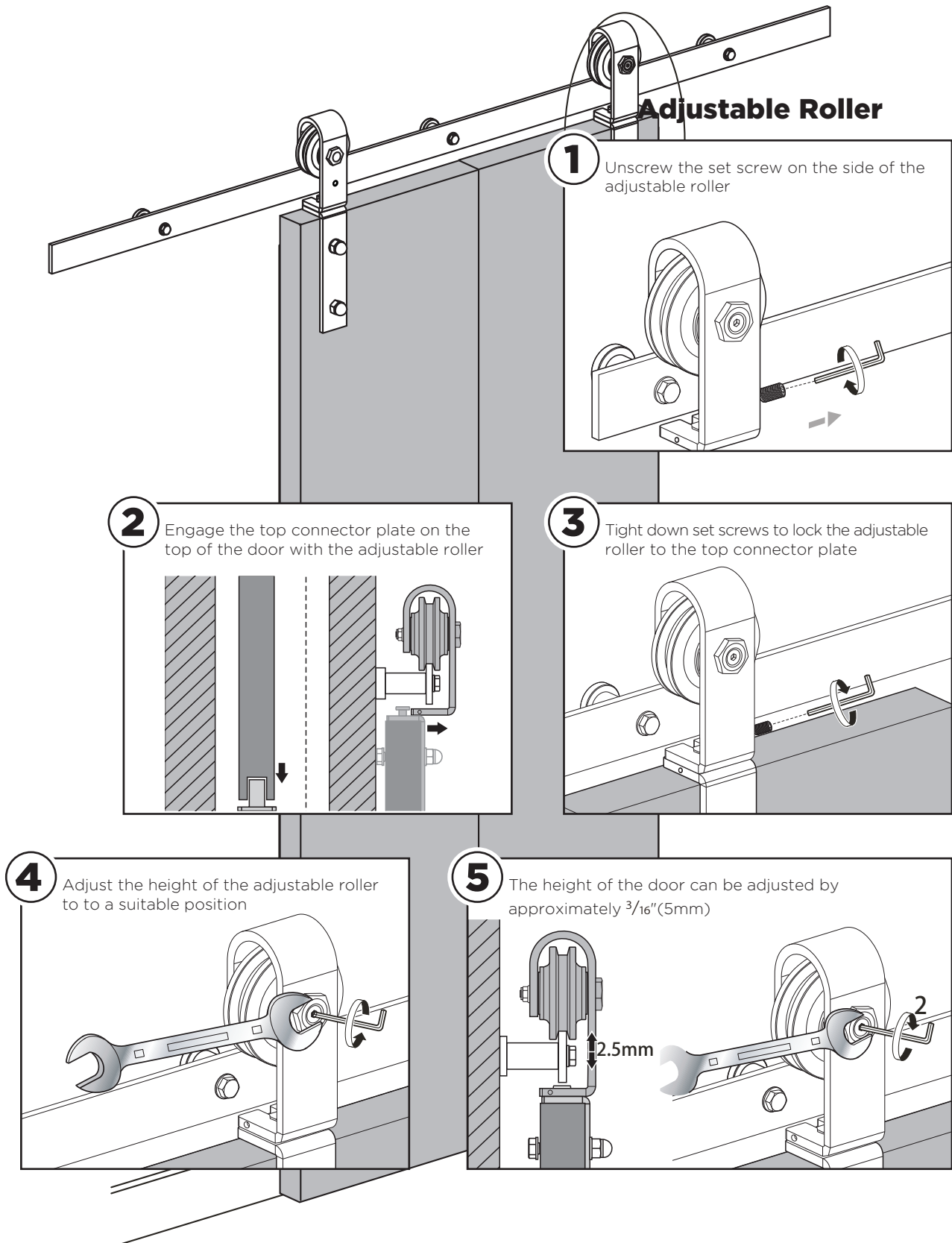
Using the set screws to lock the fixed roller assemblies to the top connector plates.



## Product Assembly

### STEP-9

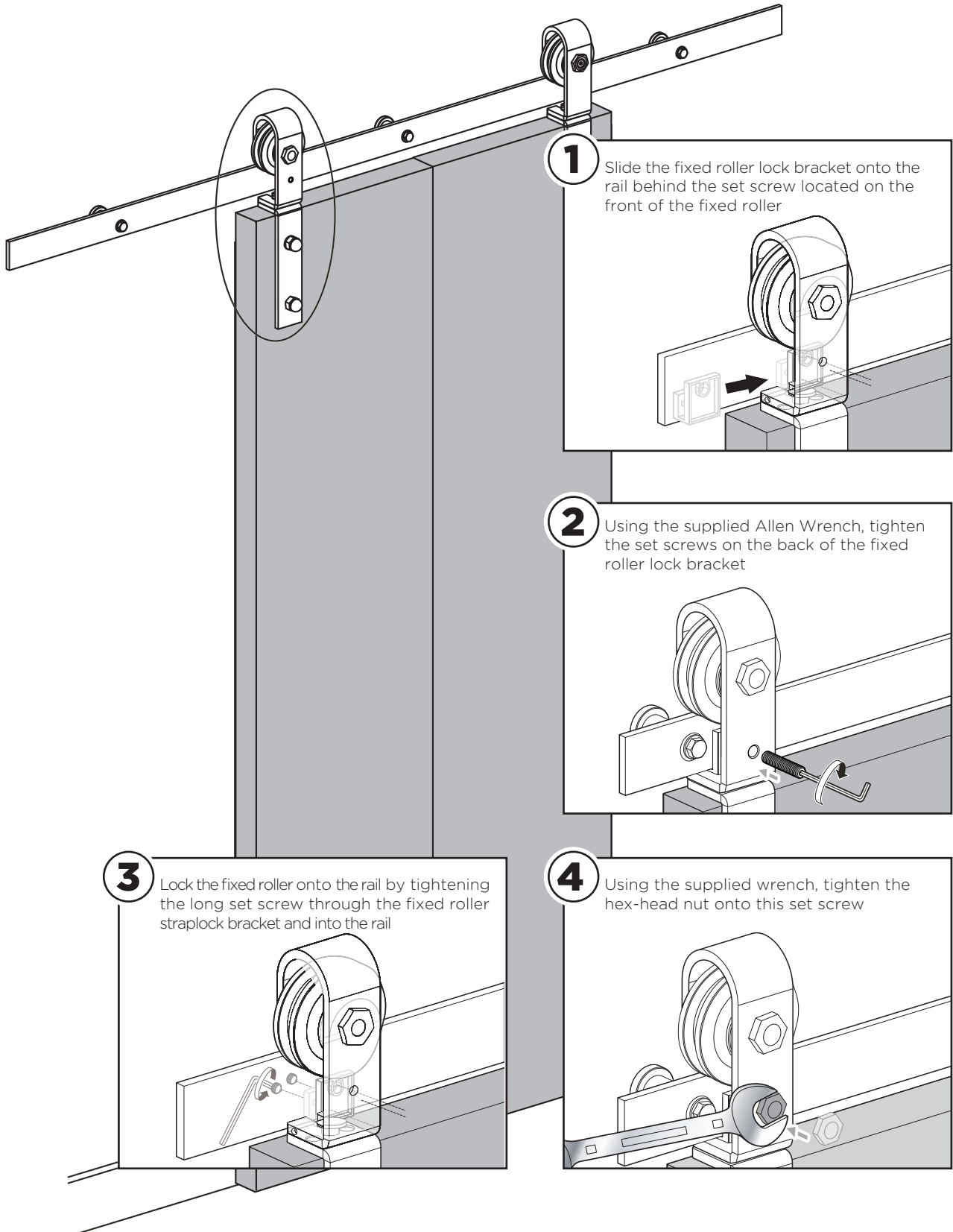
1. Use the set screws to lock the adjustable roller assemblies to the top connector plate.
2. Use an allen wrench to adjust the height of the adjustable roller to help level the door parallel to the horizontal position of the rail.



## Product Assembly

### STEP-10

Lock the fixed roller onto the rail by tightening the long set screw. Use the supplied wrench to tight the hex-head nut onto this set screw



Question about your product? We're here to help. Visit us at:

————— **Email: [help@smartstandard.com](mailto:help@smartstandard.com)** —————

## **WARNING**

Read instruction fully before starting the installation. Not following the installation instructions may cause the unit to work in unsafe manner and cause injury.

The barn door kit has been designed to work as a total system. Any modification to the door or the hardware will void the warranty and may cause the unit to work improperly.

Always wear appropriate personal protection equipment when using tools and follow manufacturer's operating instructions.

The weight of the barn door requires 2 people during installation.



## **CAUTION**

Mishandling of heavy objects (i.e., doors) may cause a loss of balance and serious injury. Always be sure you have a secure hold on the object and are balanced before moving the object. Always wear safety shoes when lifting heavy objects.

Getting body parts (i.e., hair, fingers) caught in moving parts may cause pinching and serious injury. Do not put fingers in parts that may move and always remove or contain anything on your body that may become entangled with a moving part.

Closing sliding doors with your hand on the end of the door may result in your hand, or fingers, getting caught between the door and other solid objects (i.e., another door, molding) causing serious injury. Always use the door handle to close doors.

## **Usage Statement**

Use of excessive force when opening and closing the door(s) may result in damage to the hardware. Always hold the handle to gently move the door(s).