

IMPORTANT SAFETY INSTRUCTIONS

When using an electrical furnishing, basic precautions should always be followed, including the following:

⚠ WARNING: To reduce the risk of burns, fire, electric shock or injury to persons. Use this furnishing only for its intended use as described in these instructions. Do not use attachments not recommended by the manufacturer. Never drop or insert any object into any opening. Do not use outdoors.

⚠ WARNING: Risk of electric shock. Connect this furnishing to a properly grounded circuit only. See grounding instructions.

ELECTRIC CONNECTIONS

ALL WIRING SHOULD BE DONE BY A QUALIFIED LICENCED ELECTRICIAN.

⚠ WARNING: Shut off power before wiring.
Requires 120 VAC 20 Amp GFI protected Circuit.

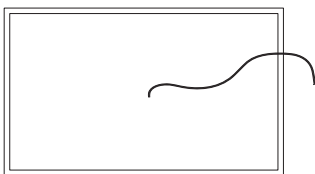
GROUNDING INSTRUCTIONS:

⚠ CAUTION: This product must be connected to a grounded metal permanent wiring system or an equipment-grounding conductor must be run with the circuit conductors and connected to the equipment grounding terminal or lead on the product.

⚠ WARNING: An Electrical option mirror must be wired to a 20 Amp GFI (Ground Fault Interrupter) protected circuit when used in bathrooms and all other locations required by the National Electric Code.

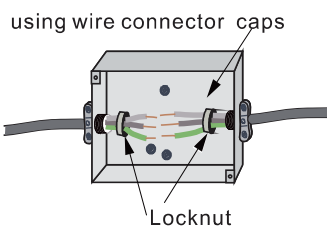
HOW TO CONNECTIONS

The electric wire comes through the access hole on the back of the cabinet, exact location of access hole varies depending on the product models. Please refer to the actual product for the exact location.

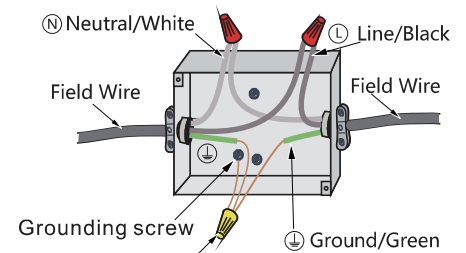


Make connection with Junction box

Neutral to white.
Line to black.
Ground to green.

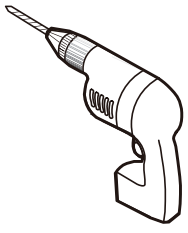


★ junction box is not included ★



wire connector caps
★ (not included) ★

HARDWARE AND TOOLS



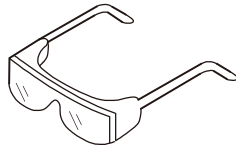
Power Drill



Mallet



Tape Measure



Safety Goggles



1/4" & 1/8" Drill Bits



Pencil

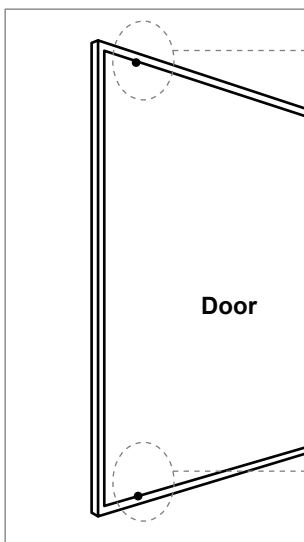


Level

HARDWARE LISTS

ITEM	IMAGE	NAME
1		Screw ST4*35
2		Wall Anchor
3		Aluminum Alloy Plate

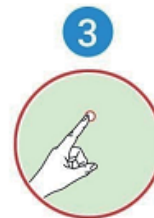
HOW TO USE DOOR BUMPER



1
Surface needs to be clean, dry and free of debris



2
Hold the bumper on the sides without touching the adhesive



3
Place the bumper firmly into place on application surface



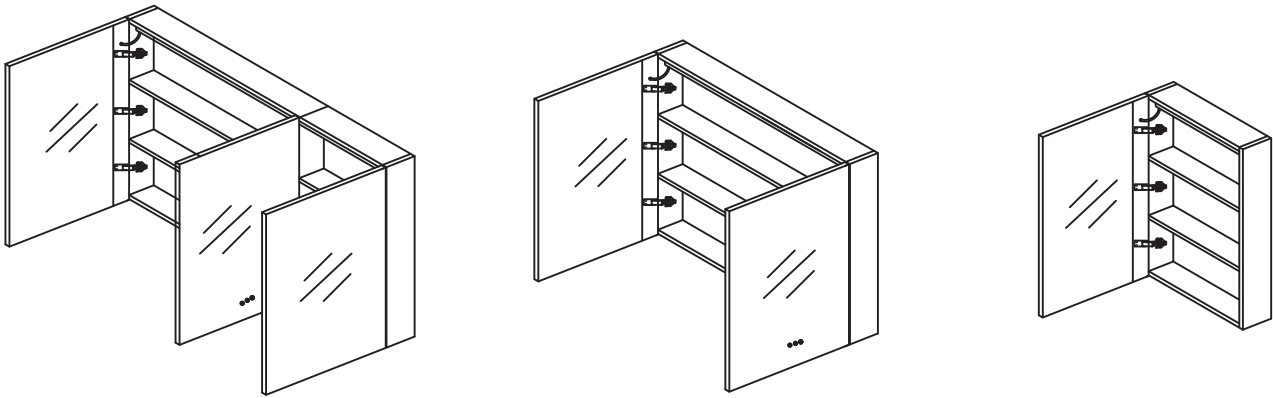
DO NOT REPOSITION OR REUSE
One time use is recommended



PLEASE KEEP AWAY FROM CHILDREN
3 years and under for safety

INSTALLATION INSTRUCTIONS

APPLY TO THE BELOW STYLE OF LED MEDICINE CABINET



Please read carefully and save these instructions

Don't discard any of the packaging until you are sure that you have all of the parts and the fittings
Make sure power to the junction box is off before commencing installation.

IMPORTANT

1. Unpack LED cabinet. DO NOT lay cabinet on tiled or concrete surface prior to installation
Cabinet must be on protected surface to prevent chipping of the corners
2. Care must be taken before drilling pilot holes to avoid any existing wiring or pipe work that may be concealed.
3. A certified electrician must perform all work. The mirror must be connected to a GFI

INSTALLATION

Please refer the installation diagram on next two installations manual.

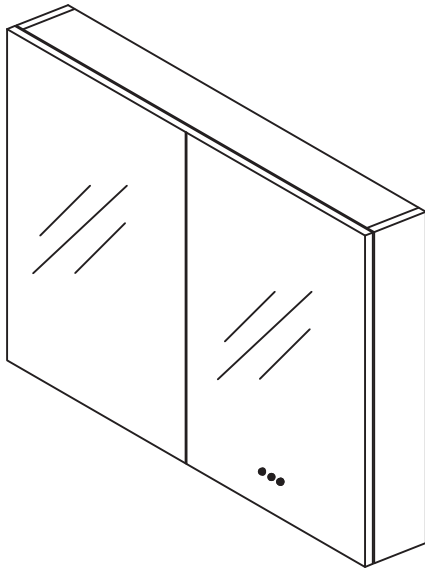
- 1) Unpack the LED medicine mirror and prepare tools needed. (See Pic.1)
- 2) Use the tape measure the height, and draw the horizontal. Measure the distance of the mirror hole, and mark the hole place on the wall. (See Pic.2)
- 3) Drill holes, and put in the plastic expansion bolt, then fix the aluminum bar by screws (See Pic.3&Pic.4);
- 4) Connect hardwire to power line. Make sure the power off (Voltage: AC110-12V, 50/60Hz) (See Pic.5)
- 5) Hang the cabinet on the wall; don't remove your hands until its safety. (See Pic.6)
- 6) Connect the lower end of wall with the cabinet body by using the coner brace. (Pic.7)

MAINTENANCE

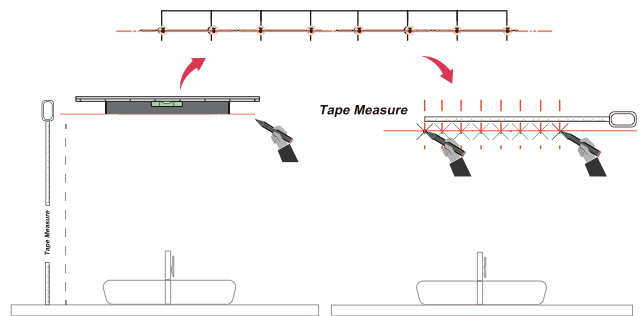
Wipe clean with a soft damp cloth. Apply glass cleaner to cloth and do not apply directly to mirror
Never use abrasive cleaners as these could damage the finish or exposed LEDstrip 2

INSTALLATION DIAGRAM

- 1 Unpack the LED medicine mirror and prepare tools needed.

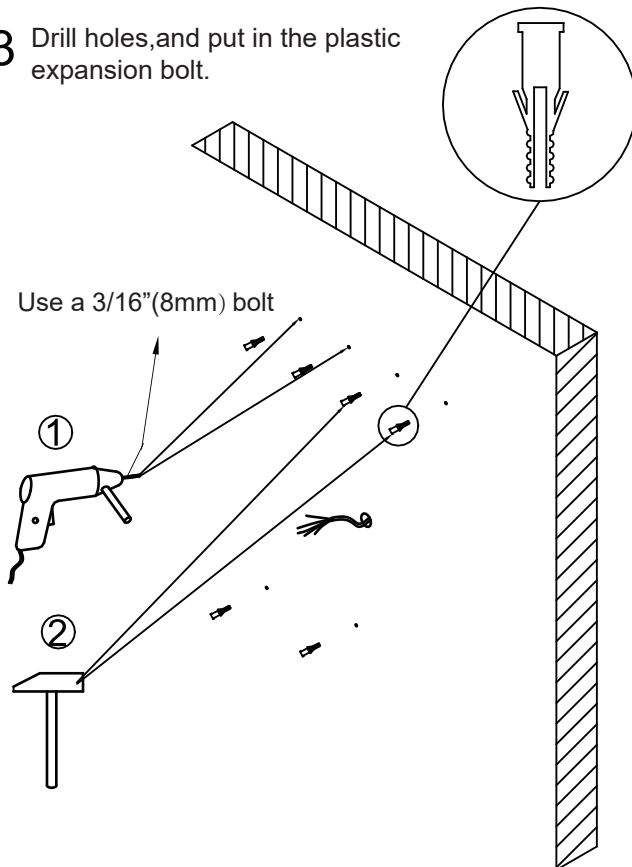


- 2 Measure and mark the back mounting holes on the wall.

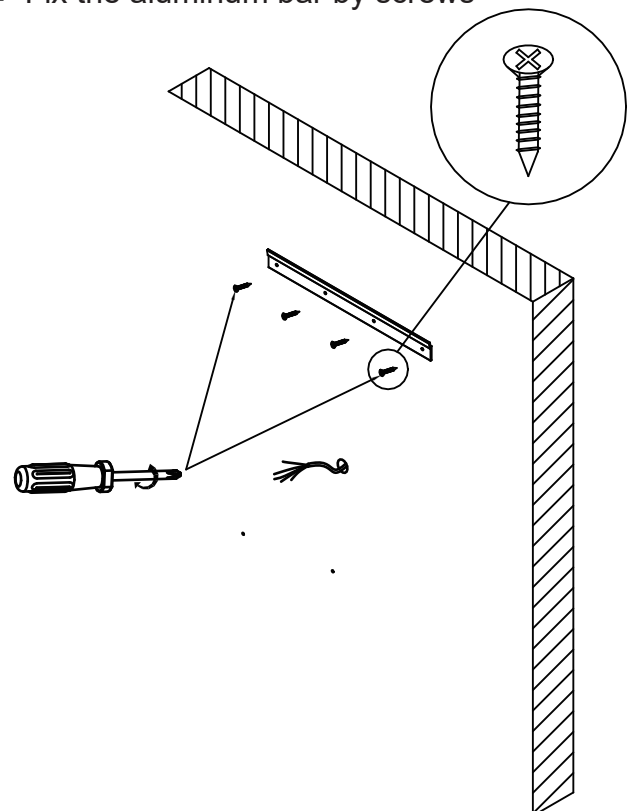


Draw horizontal line connecting the marked location. The line should be level. Adjust to level if necessary.

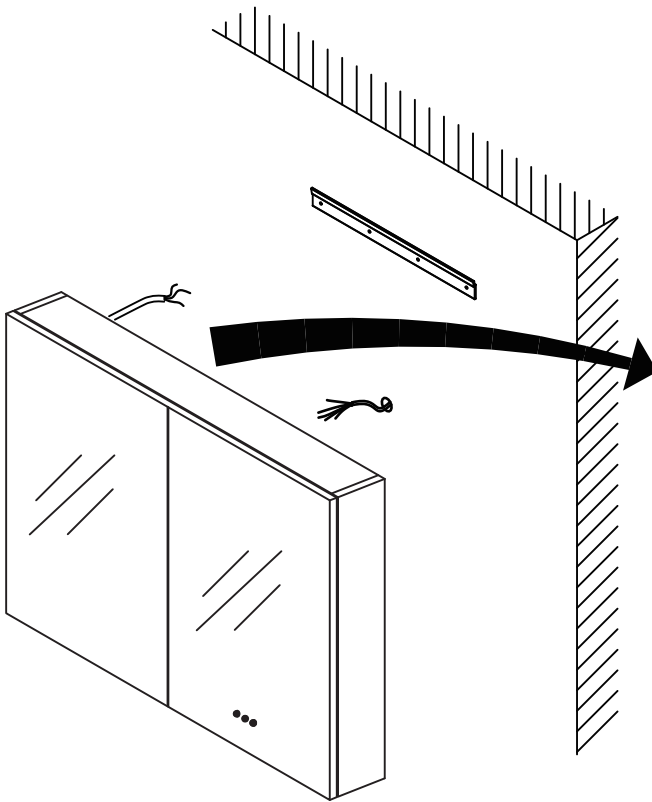
- 3 Drill holes, and put in the plastic expansion bolt.



- 4 Fix the aluminum bar by screws



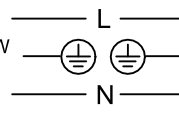
- 5 Connect hardwire to power line.
 Make sure the power off
 (Voltage:AC110-12V,50/60Hz)



WIRING DETAILS

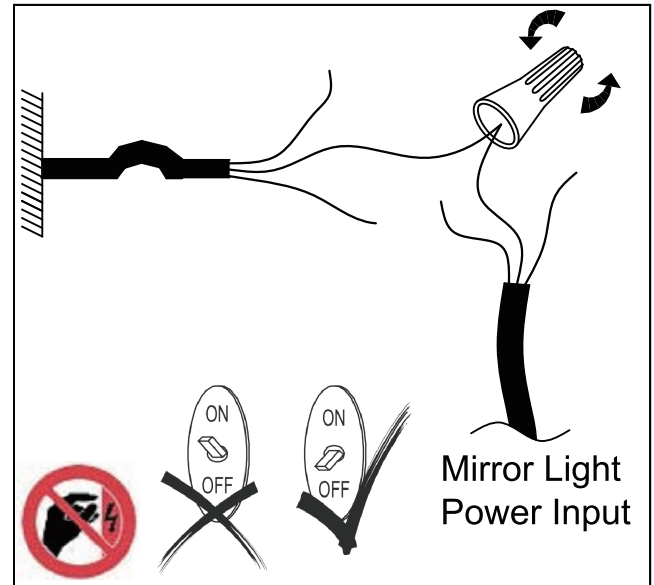
INCOMING SUPPLY

SWITCHED LIVE
 EARTH(GREEN/YELLOW
 SLEEVED COPPER)
 NEUTRAL

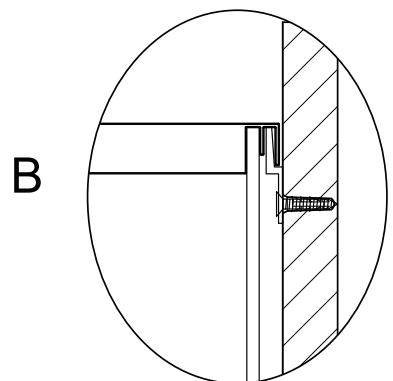
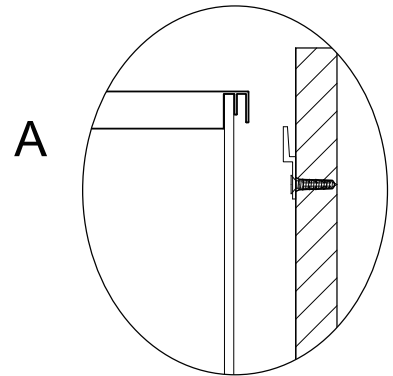
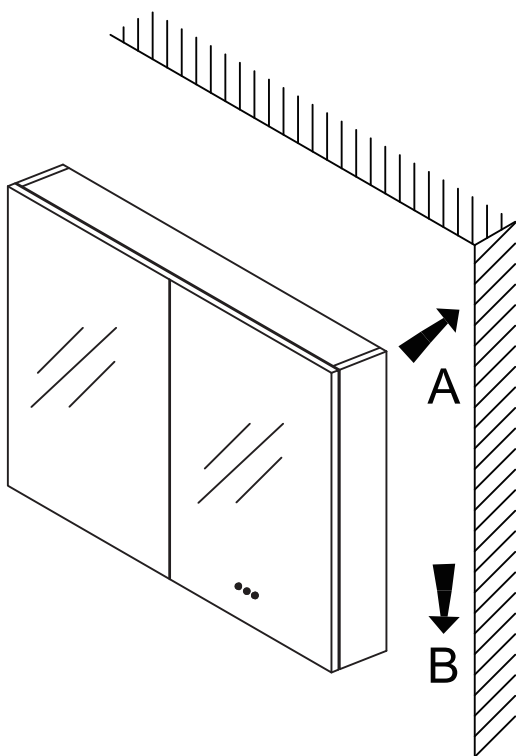


MIRROR WIRING

BLACK or LABELED - L
 GREEN - E
 WHITE or LABELED - N

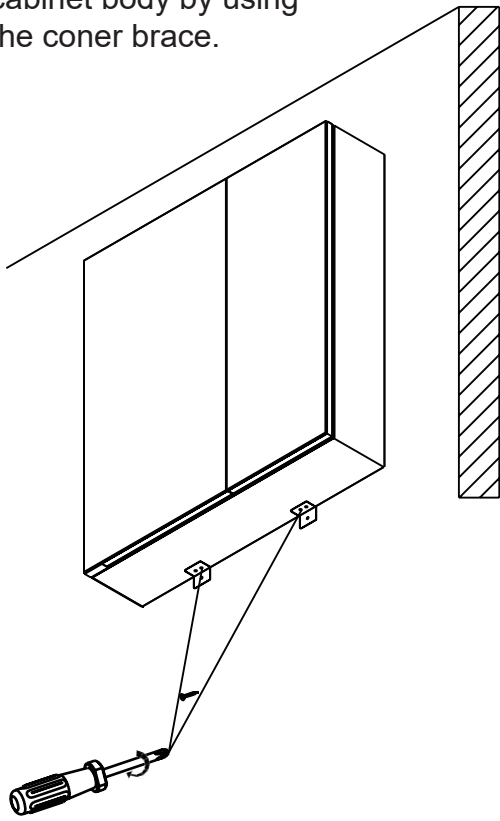


- 6

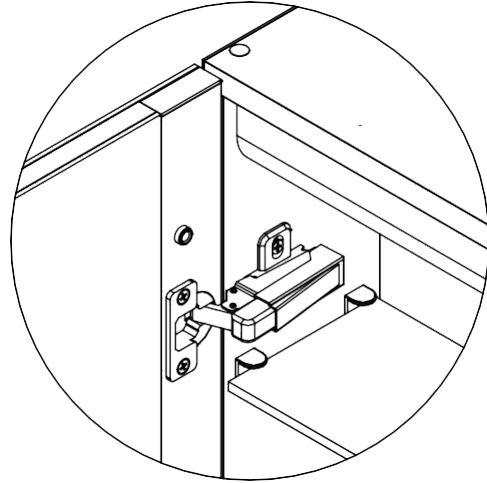


Hang the cabinet on the wall; don't remove your hands until its safety.

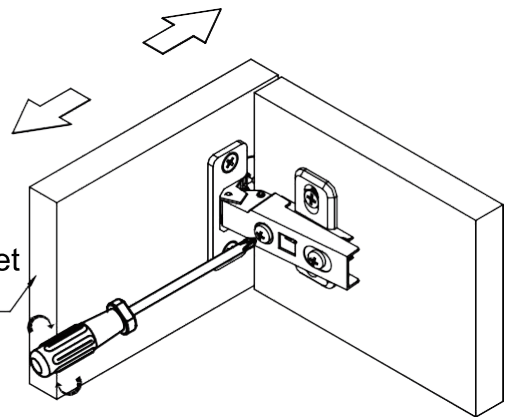
7 Connect the lower end of wall with the cabinet body by using the coner brace.



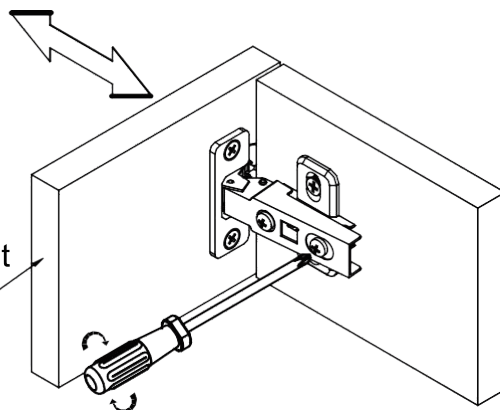
8 Hinge adjustment



Mirror Cabinet Door

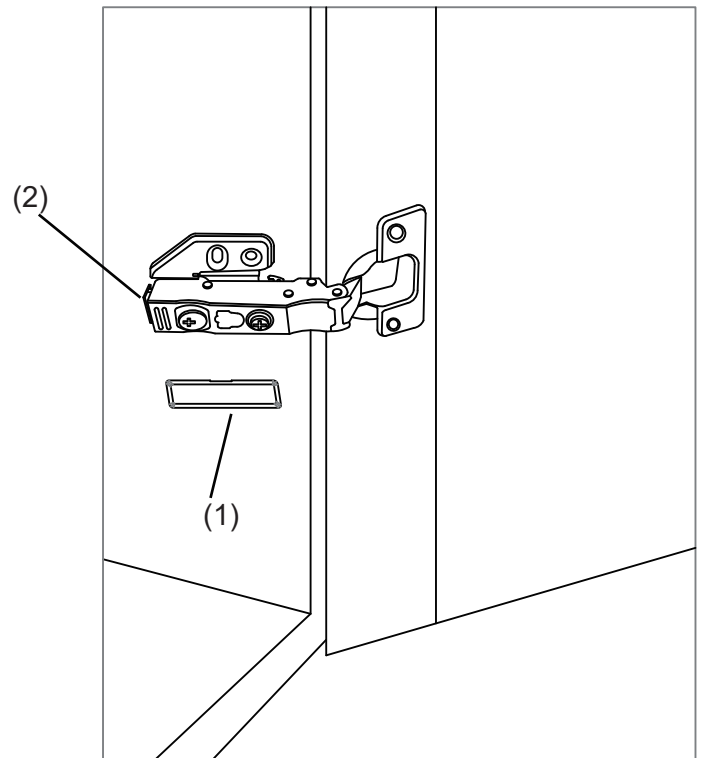
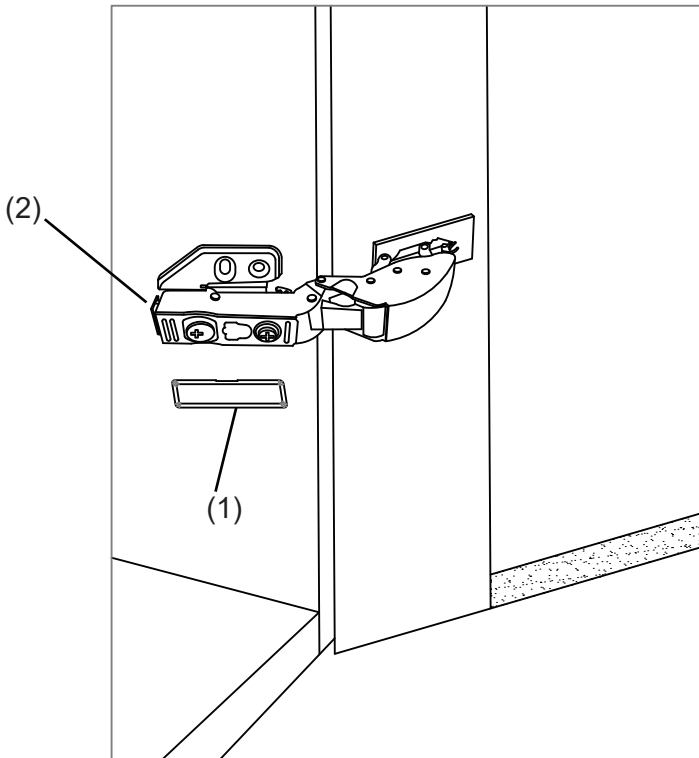


Mirror Cabinet Door



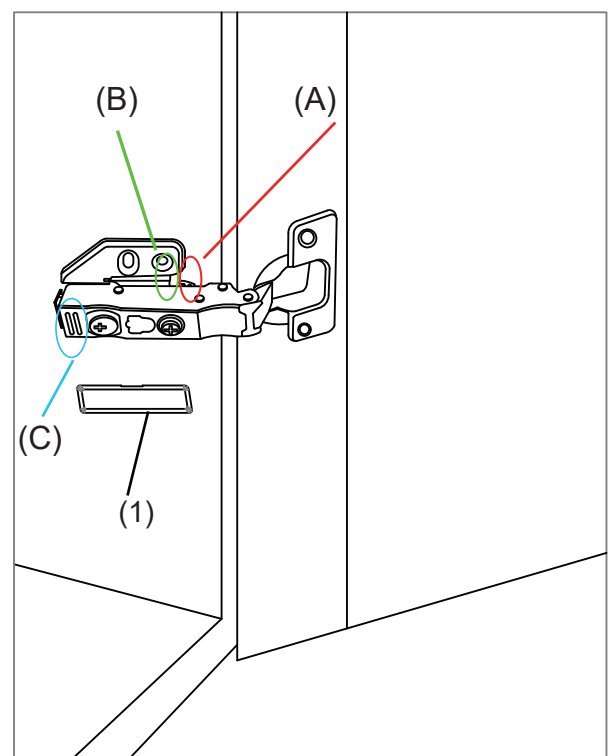
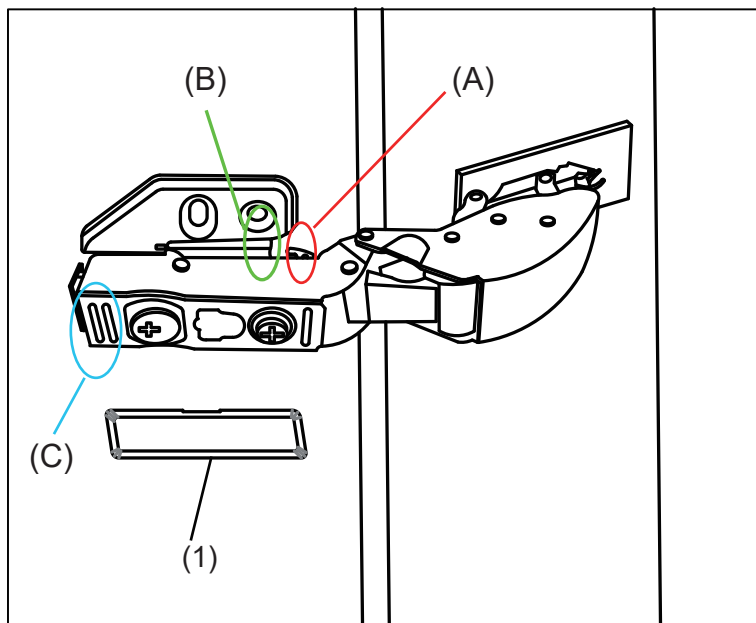
Removing door latch:

1. Take off the hinge cover(1).
2. Press down forcefully on the rear end of the hinge chain arm(2).

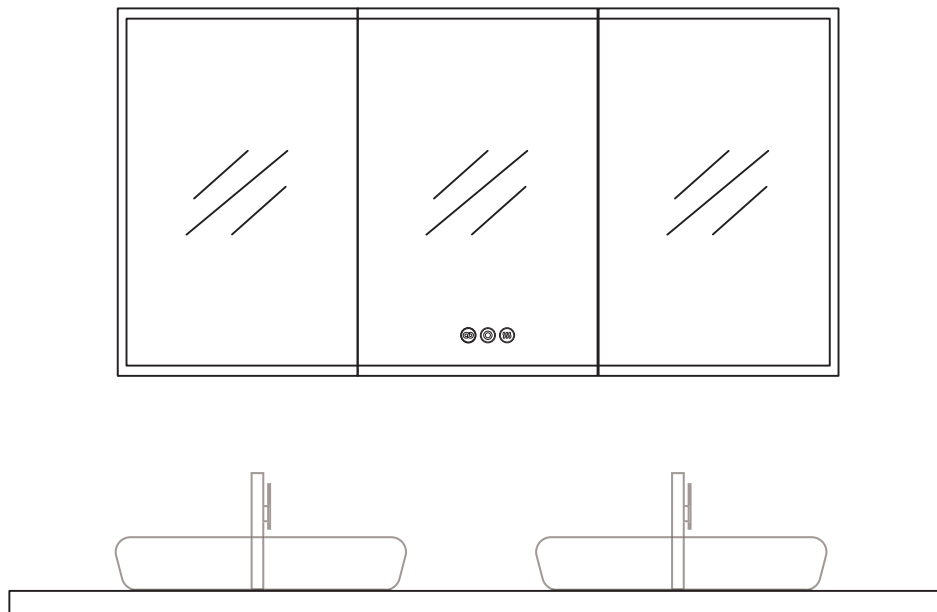


Installing door latch:

1. Attach the hook of the hinge arm to the hinge base. (Red hook(A) onto green catch(B))
2. Press down firmly on the rear end of the hinge arm.
(Using strong force, push down on the blue section(C))
3. Put on the hinge cover(1).



INTRODUCTION OF TOUCH FUNCTION



After power on, the button shows white and it is in waiting stage, click to turn on the light function and the button turn on yellow. Click again to turn off the light function and the button to turn to white.

LED



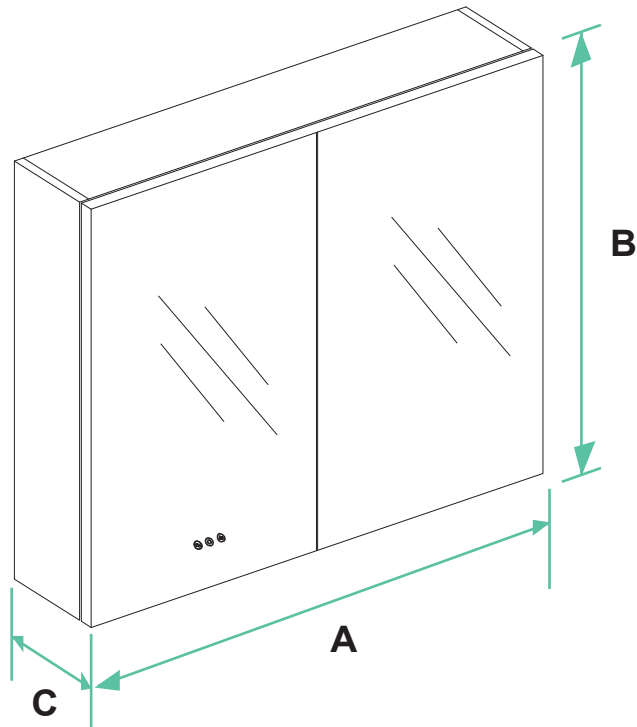
Long click the button to make the light gradually dims
Click the button again and the light gradually brightens



After power on, the button shows white and it is in waiting state, click to turn on the defogging function and the button turn on yellow. Click again to turn off the defogging function and the button to turn to white.



After power on, the button shows white and it is in waiting state, click to turn on the light function and the white turn on yellow. Press to switch the color temperature of light by 3k-yellow, 4k-natural or 6k-cold white



A - Width
B - Height
C - Depth

Unit: Inch

MODELS	A	B	C
TH21-1	24	30	5.5
TH21-3	48	30	5.5
TH21-6	60	36	5.5
TH21-DR1	24	30	5.5
TH23-60WS	60	36	5.5
TH23-42WS	42	36	5.5

Note: All dimensions & specifications are approximate and subject to change without notice.

Customer Service:

For any questions or queries regarding our products, please contact our support team: