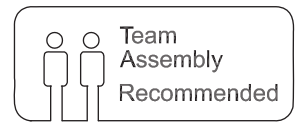
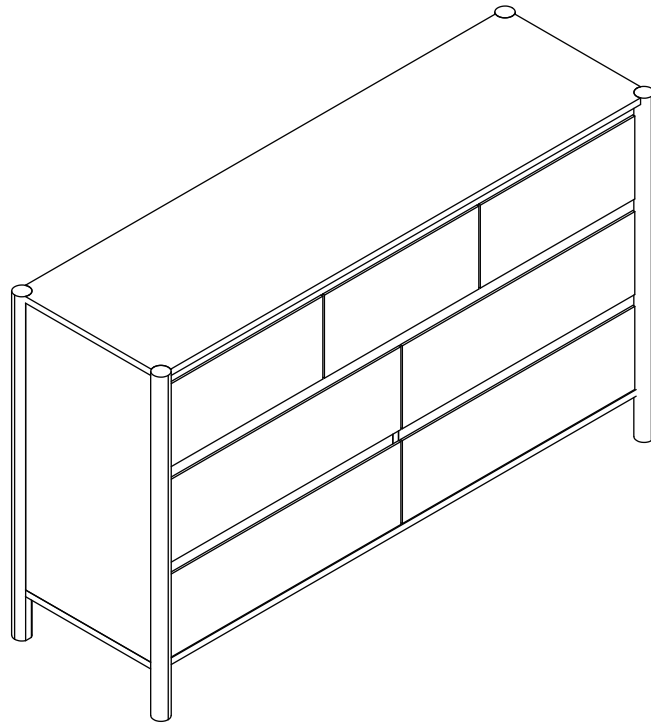


Assembly Instruction



Trouble shooting:

Missing / Wrong / Broken parts and installation issues



Send email with your question pic, order NO. and screenshot of order details to:
support@homejoyee.com



Respond within 24 hours



Issue resolved

Tips!



1. Check all the components & screws are intact before assembling .
 2. If you notice any pieces are missing or damaged please do not assemble and contact us immediately .
 3. **Please send an email with you order number and issues, we will respond within 24 hours.**
- Customer Service Team:** support@homejoyee.com

IMPORTANT SAFETY INFORMATION

Please carefully read the following instructions and caution warnings before assembling the product.

Following this guide will ensure that you install, use and maintain the product properly.

Please keep this installation and user manual/instructions for future reference in case you need to disassemble the product.

Never allow children to climb onto the product. Ensure that you have special safety measures when children are around on their own.

Be sure to check that all parts of the product are intact after you open the package.

Do not assemble if you notice serious damage such as cracks or bends.

During installation, please use work gloves for hand safety.

Please assemble the unit on carpeted floor or the flat cardboard box to avoid scratching the surface or your floor while assembling on the floor.

To assemble, please use the complimentary installation tools (Phillips screwdriver). Pay more attention to the direction of components at each steps.

It is recommended that two people work together to assemble the product.

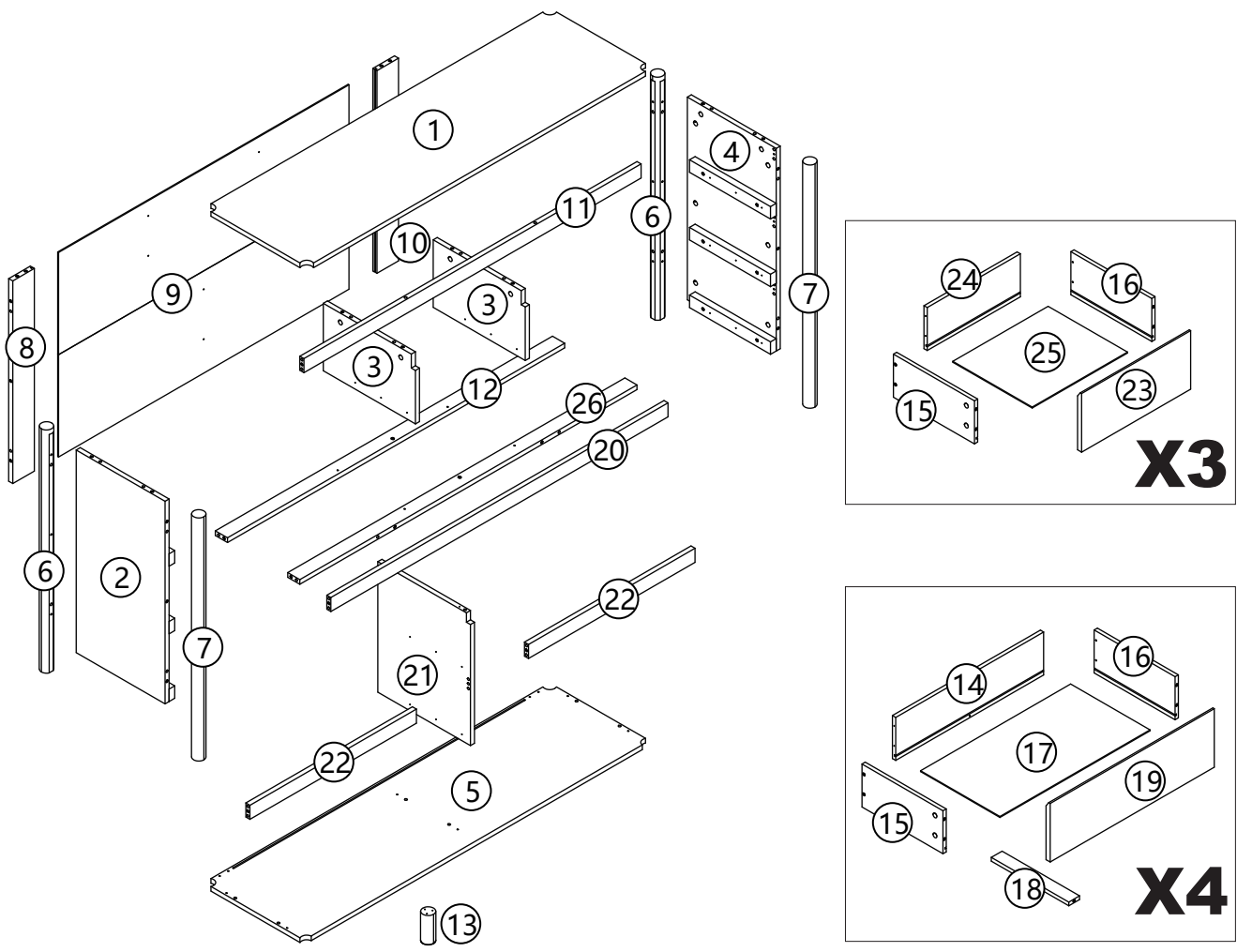
RETURN POLICY



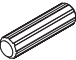


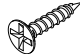


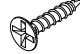








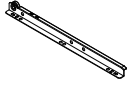
Please contact us directly within 30 days after receiving.

Please ensure the product is in a good condition with the original box and all original certificates of purchase, manuals, and accessories attached.


HOW TO MAINTAIN YOUR PRODUCT:

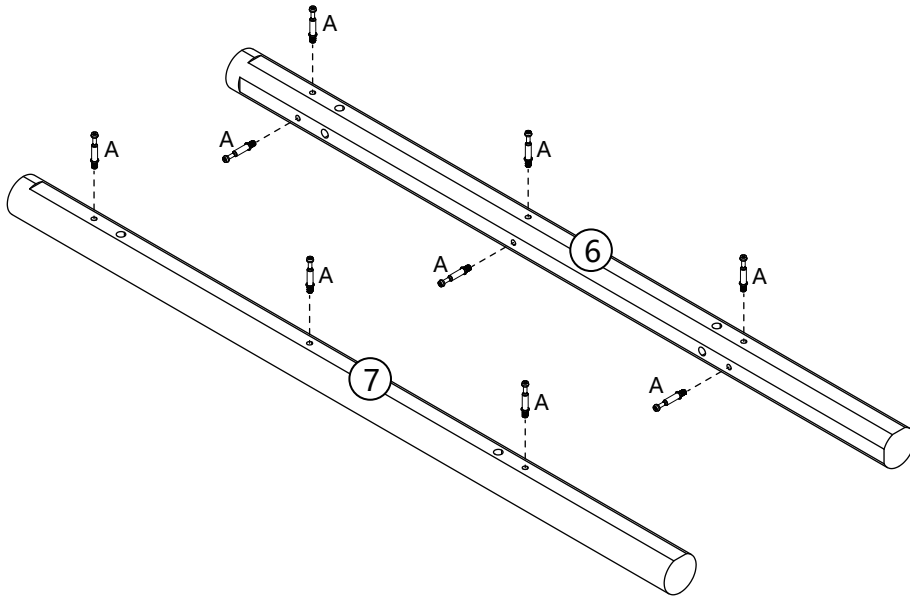
- Check the screws of the product are not loose from regular use.
- Do not use sharp instruments, rubbing alcohol, corrosive chemicals, or abrasive cleaners to clean the product.
- Do not keep the product in a damp environment for a long period of time.
The damp environment may cause the iron components to rust and the plates to bulge and crack.



A	X 76	B	X 76	C	X 48	D	X 53	E	X 4	F	X 8	G	X 8
													
M6*35		Φ15*10		Φ6*30		M4*35		Φ25*3		M3*14			
H	X 6	I	X 84	J	X 2	K	X 1	L	X 6	M	X 1	N	X 2
													
M3*14		M3*12		Φ6*50		DR		M4*12					
CL	X 7	CR	X 7	DL	X 7		X 7						
													
300		300		300		300							


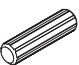
STEP1

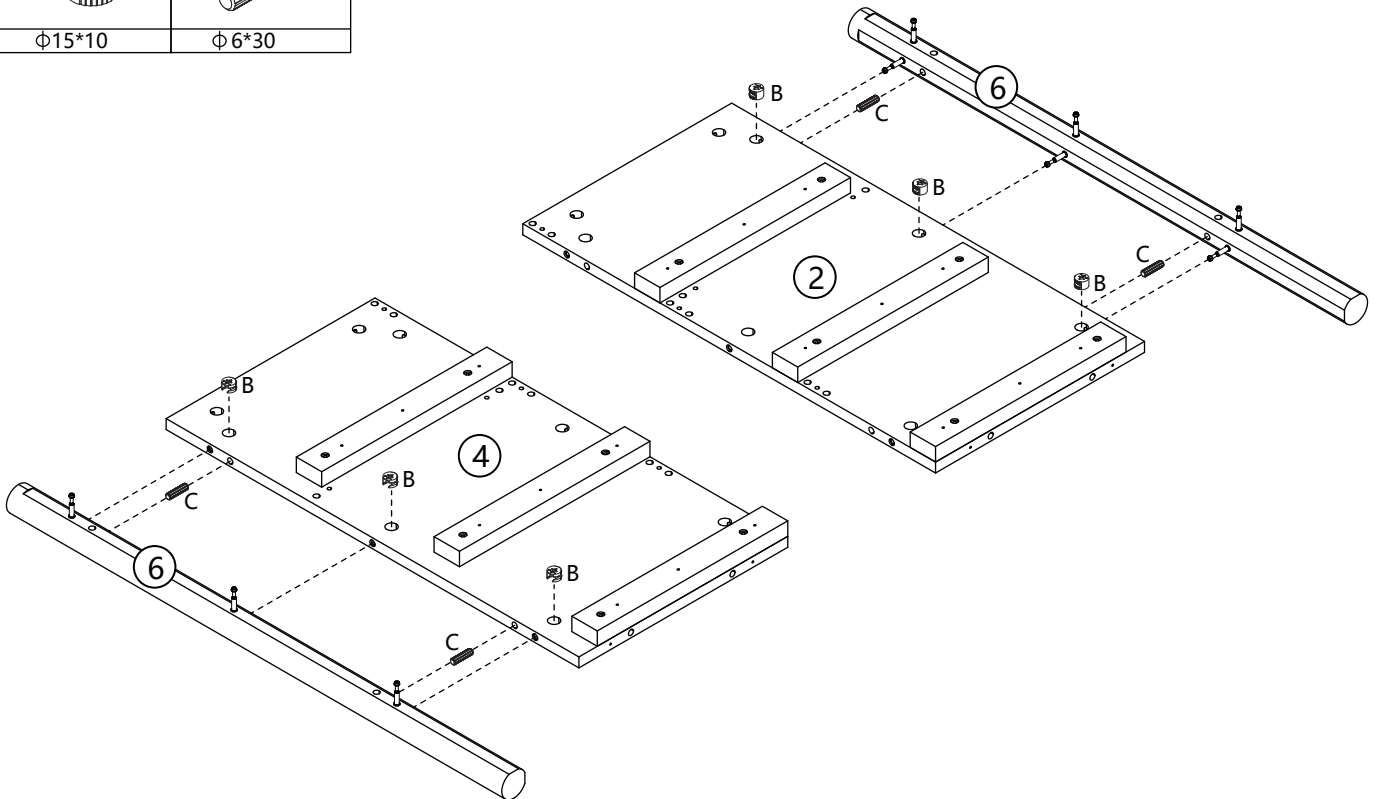
A	X 18
	
M6*35	



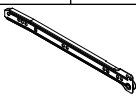
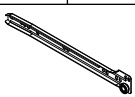
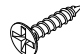
X2

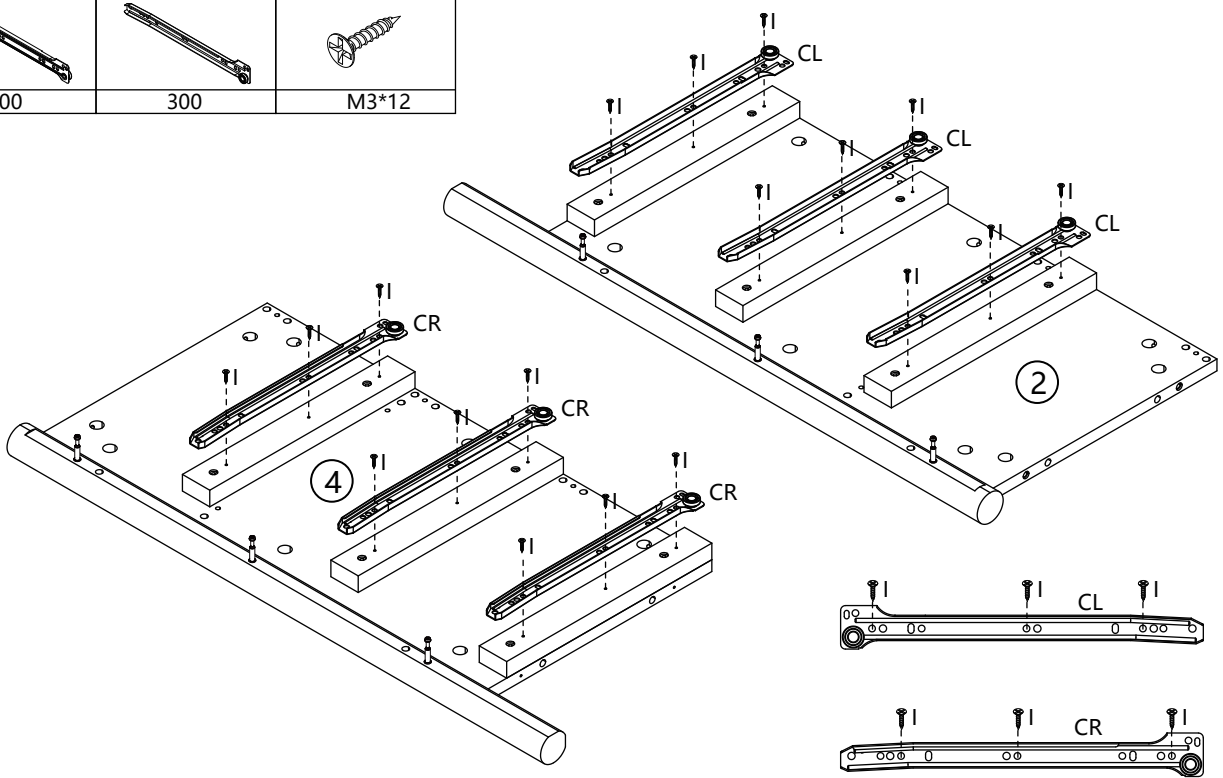
STEP2

B	X 6	C	X 4
			
Φ15*10		Φ6*30	




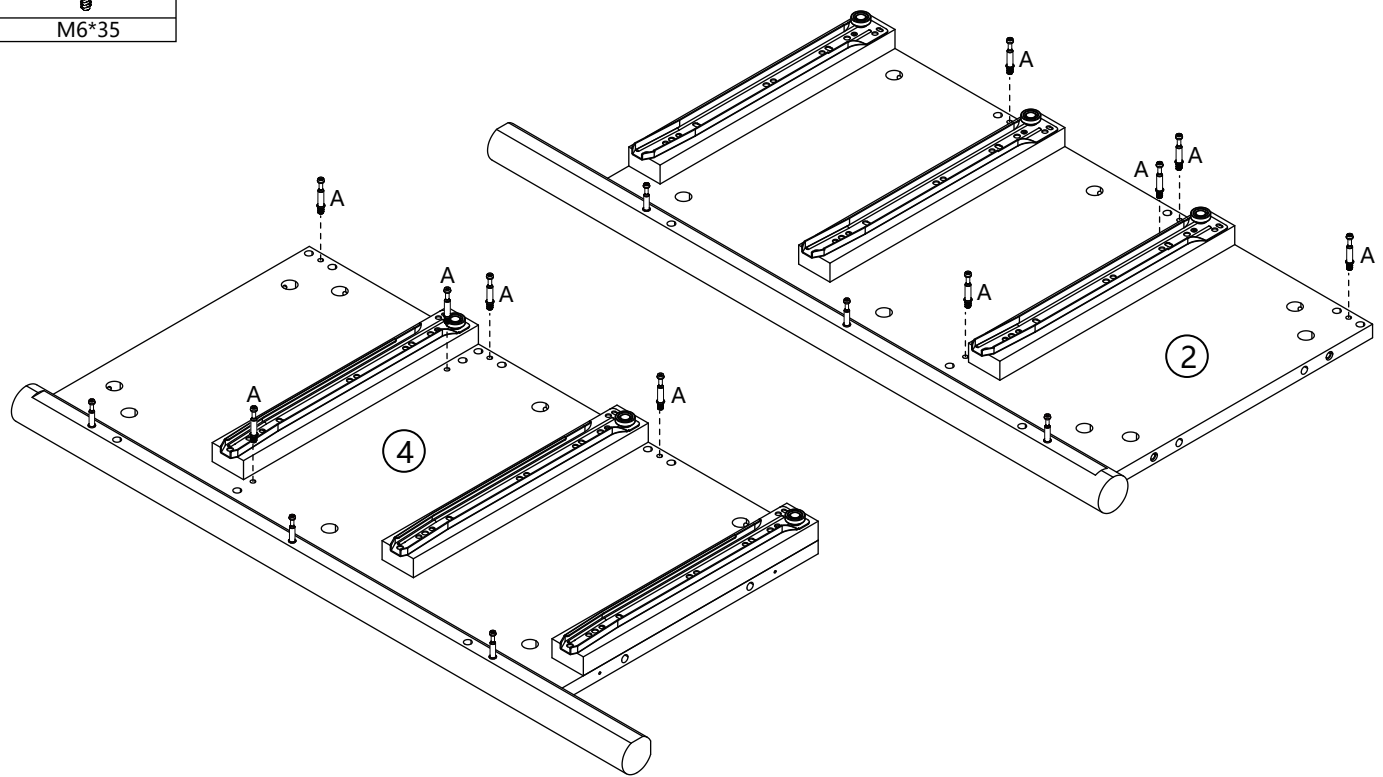
STEP3

CL	X 3	CR	X 3	I	X 18
					
300		300		M3*12	


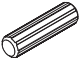


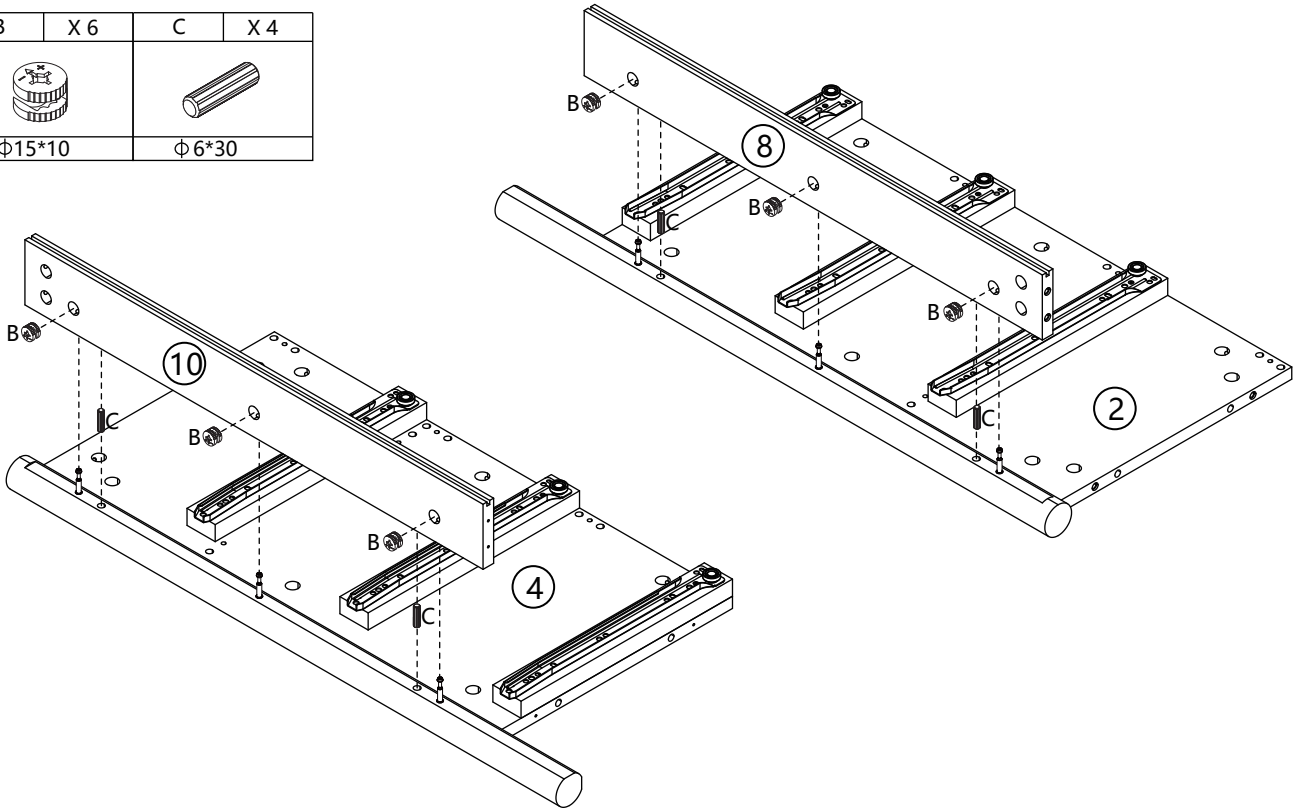
STEP4

A	X 10
	
M6*35	


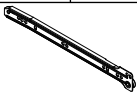
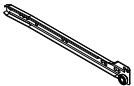



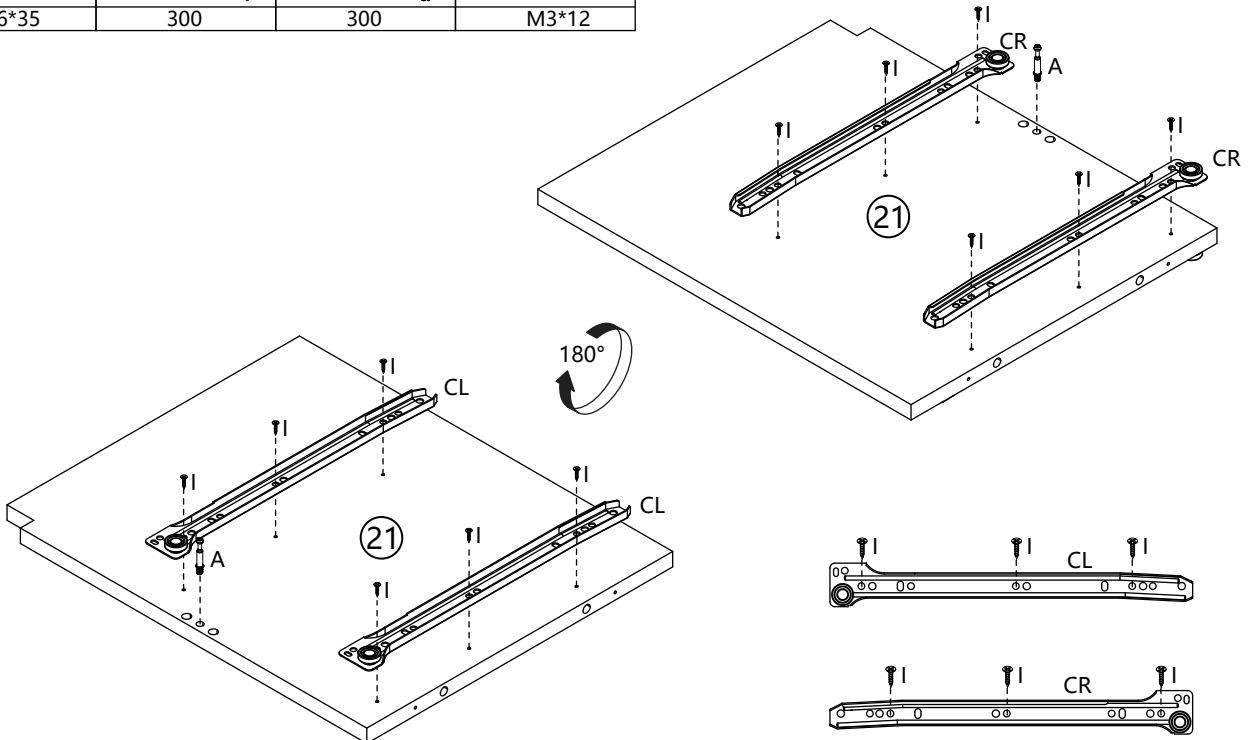
STEP5

B	X 6	C	X 4
			
Φ15*10		Φ6*30	




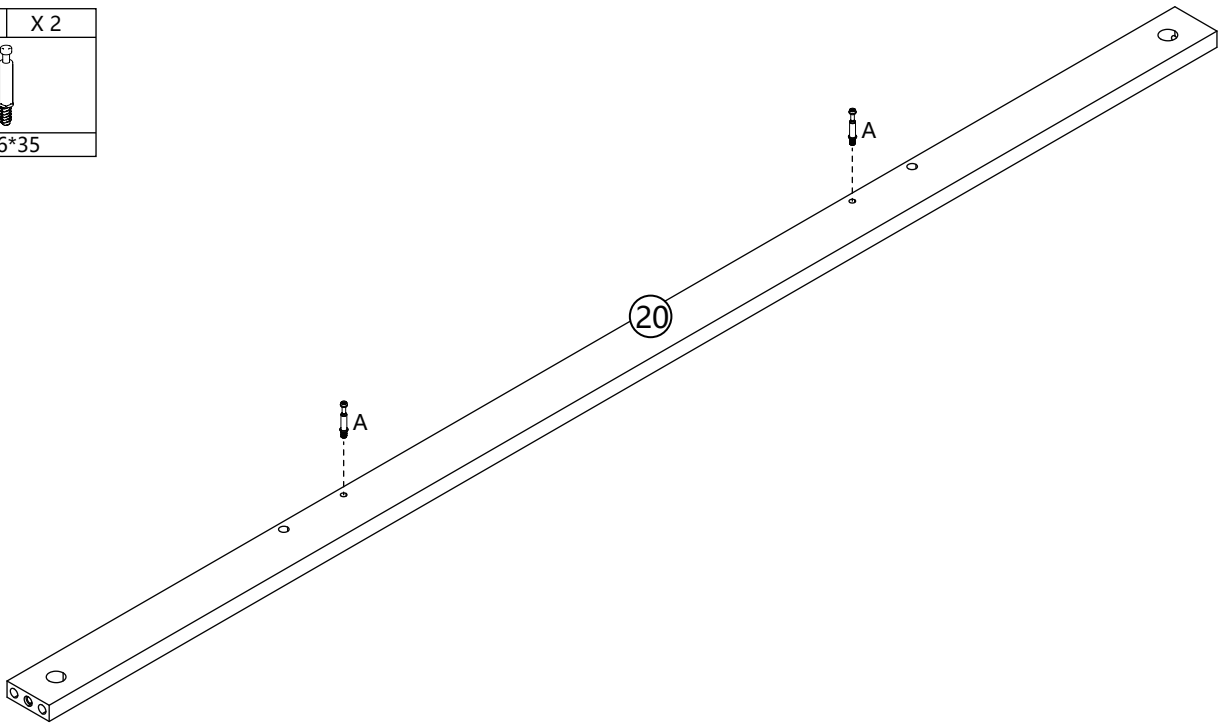
STEP6

A	X 2	CL	X 2	CR	X 2	I	X 12
							
M6*35		300		300		M3*12	


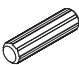


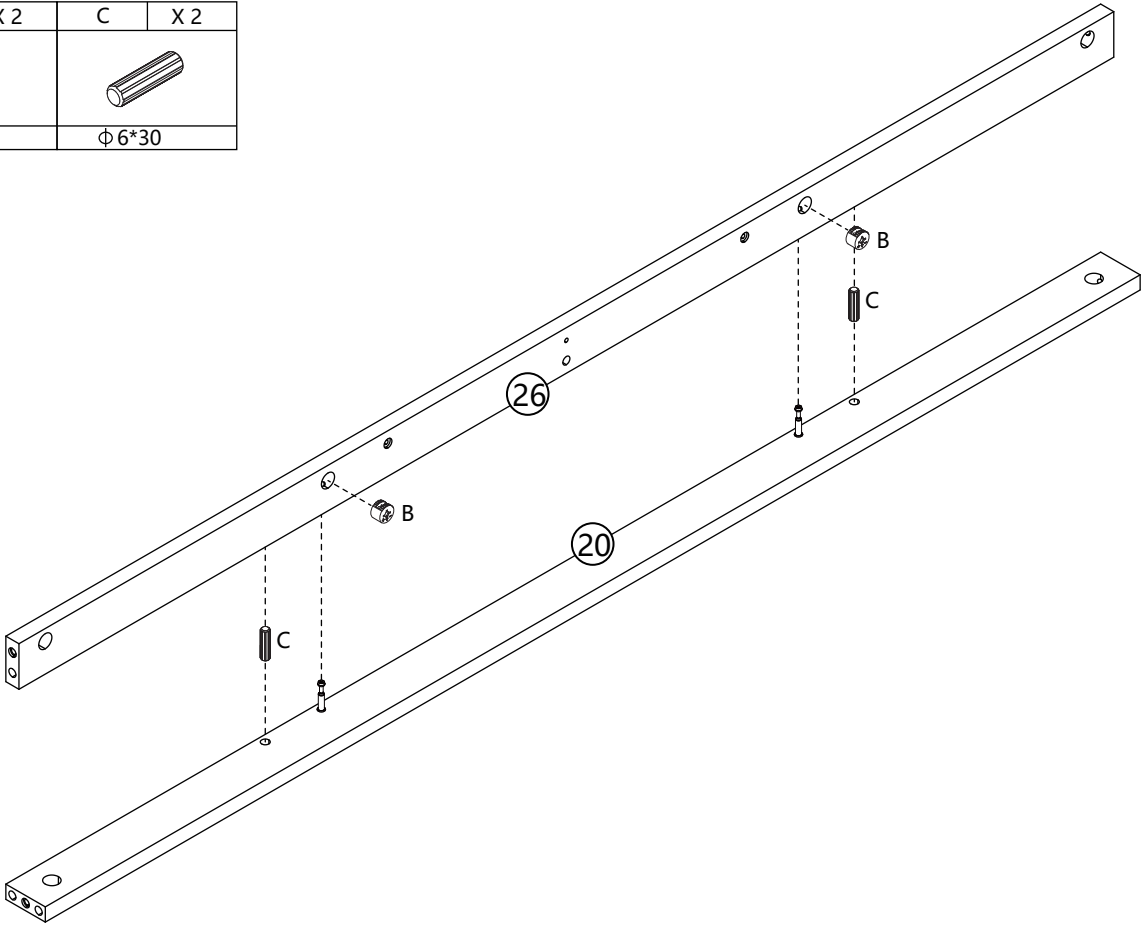
STEP7

A	X 2
	
M6*35	





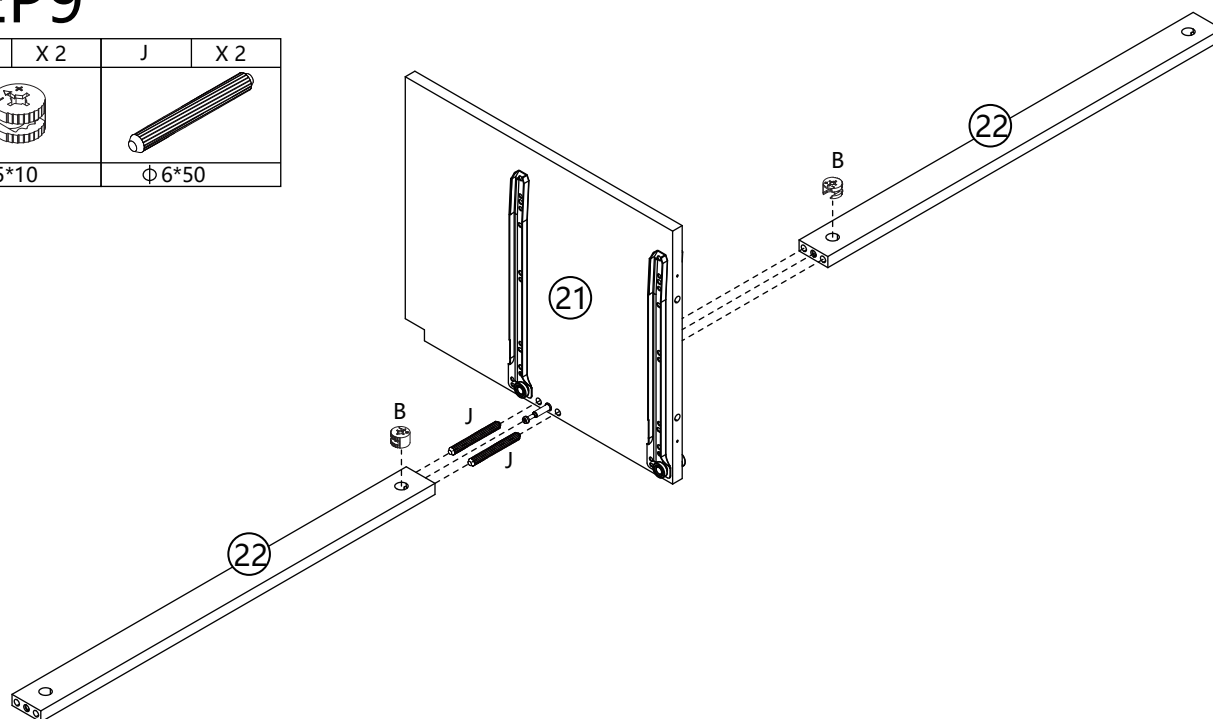
STEP8

B	X 2	C	X 2
			
$\phi 15*10$		$\phi 6*30$	

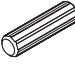



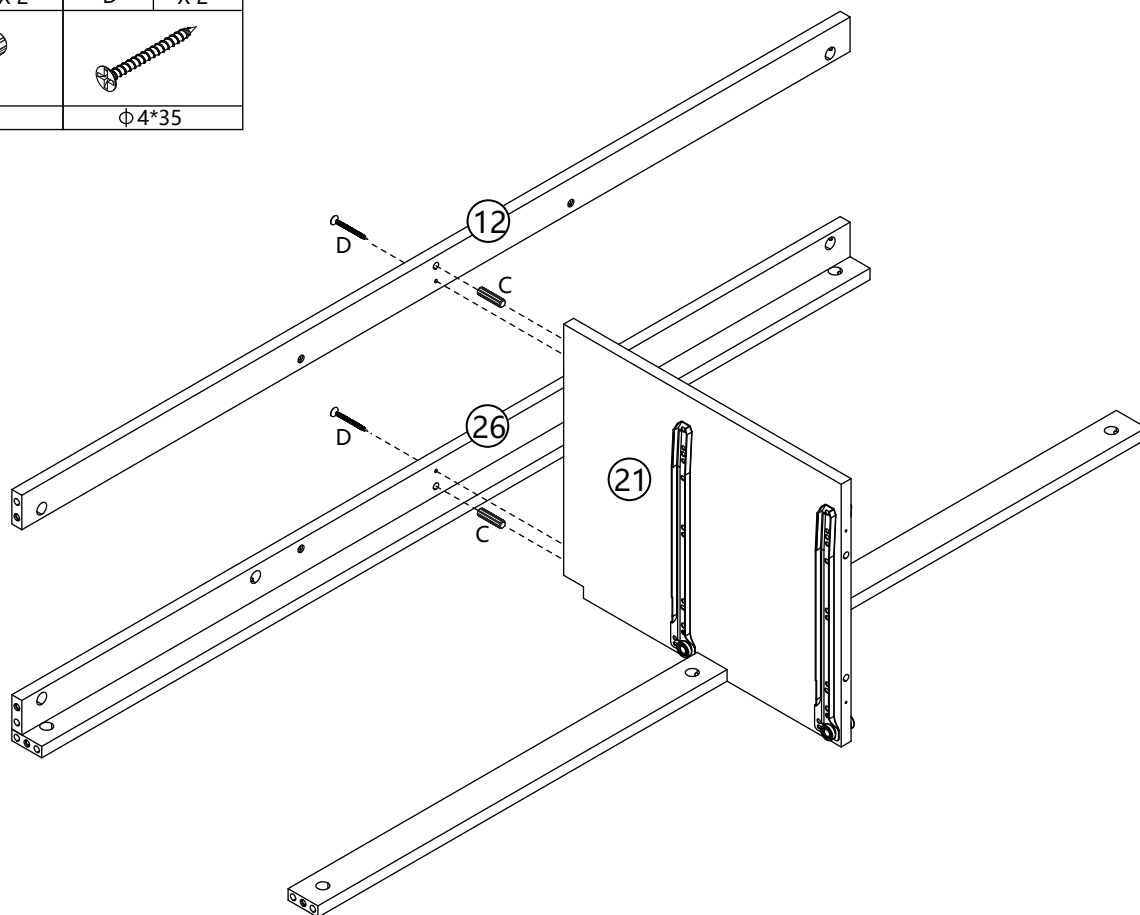
STEP 9

B	X 2	J	X 2
			
$\phi 15 \times 10$		$\phi 6 \times 50$	

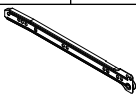
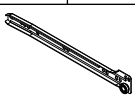
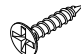


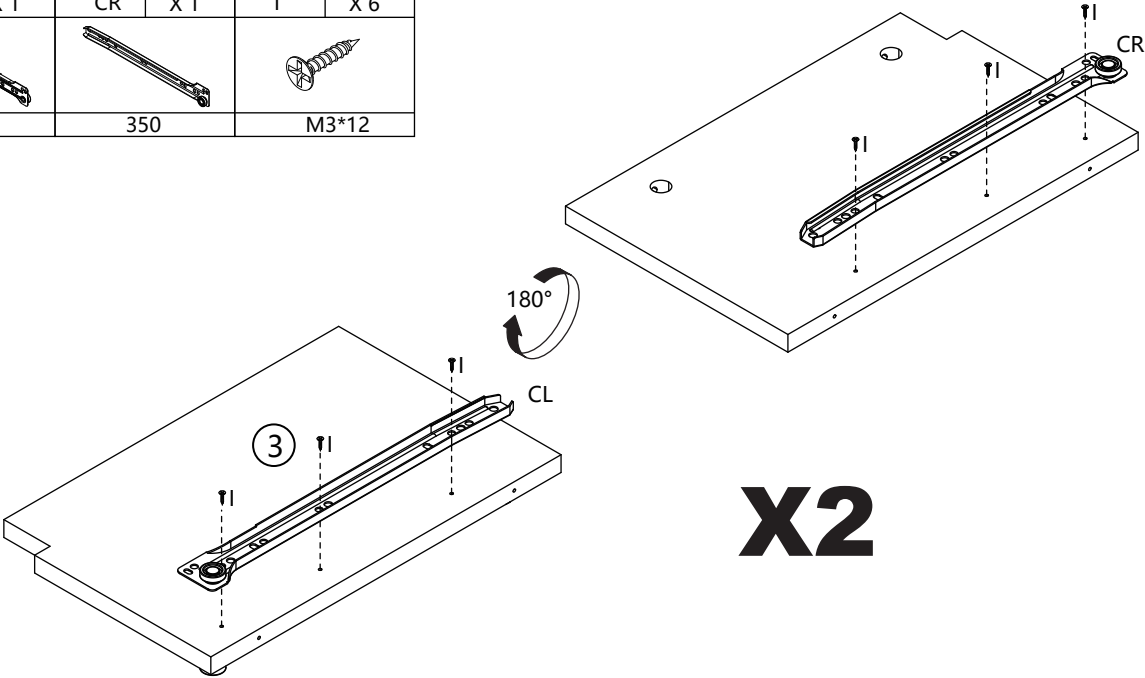
STEP 10

C	X 2	D	X 2
			
$\phi 6 \times 30$		$\phi 4 \times 35$	

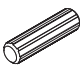



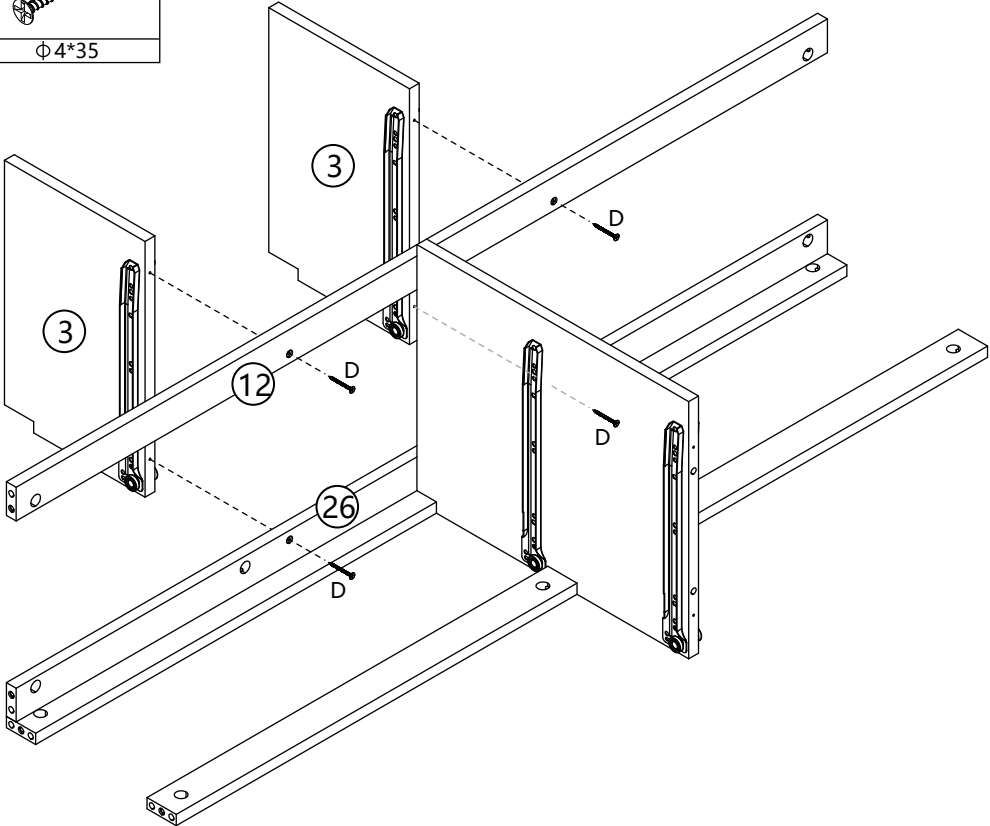
STEP 11

CL	X 1	CR	X 1	I	X 6
					
350		350		M3*12	


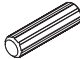


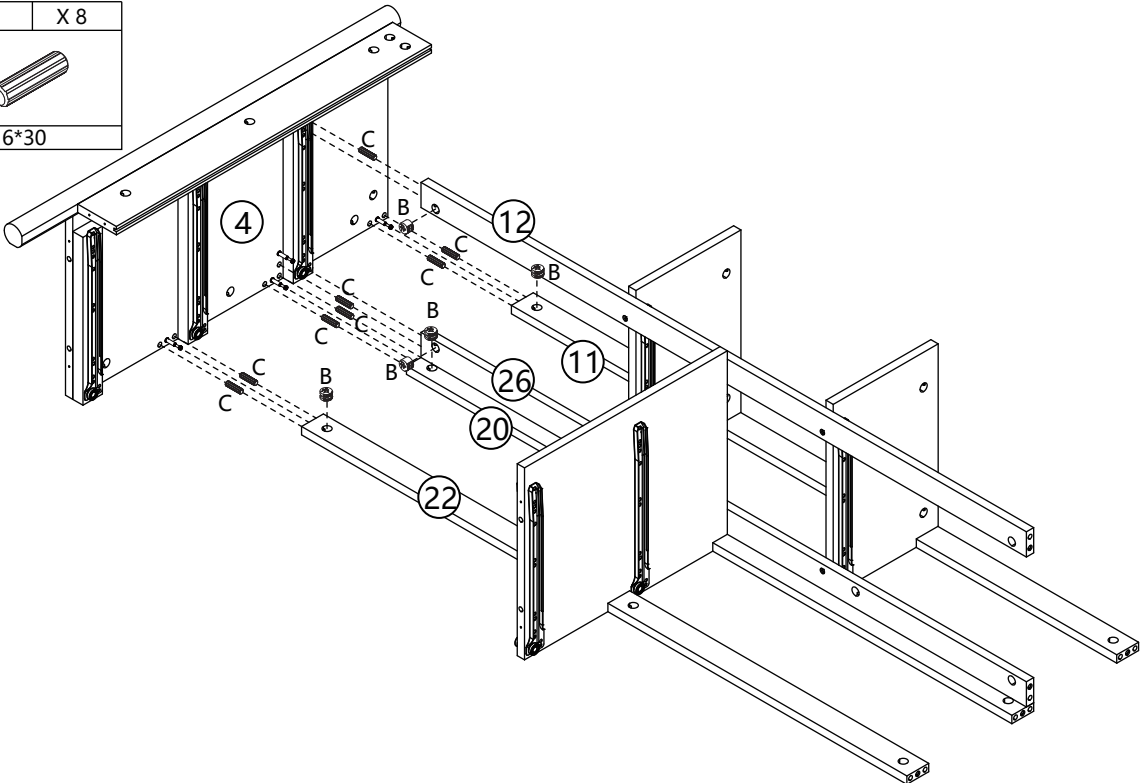
STEP 12

C	X 4	D	X 4
			
Φ6*30		Φ4*35	


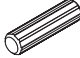


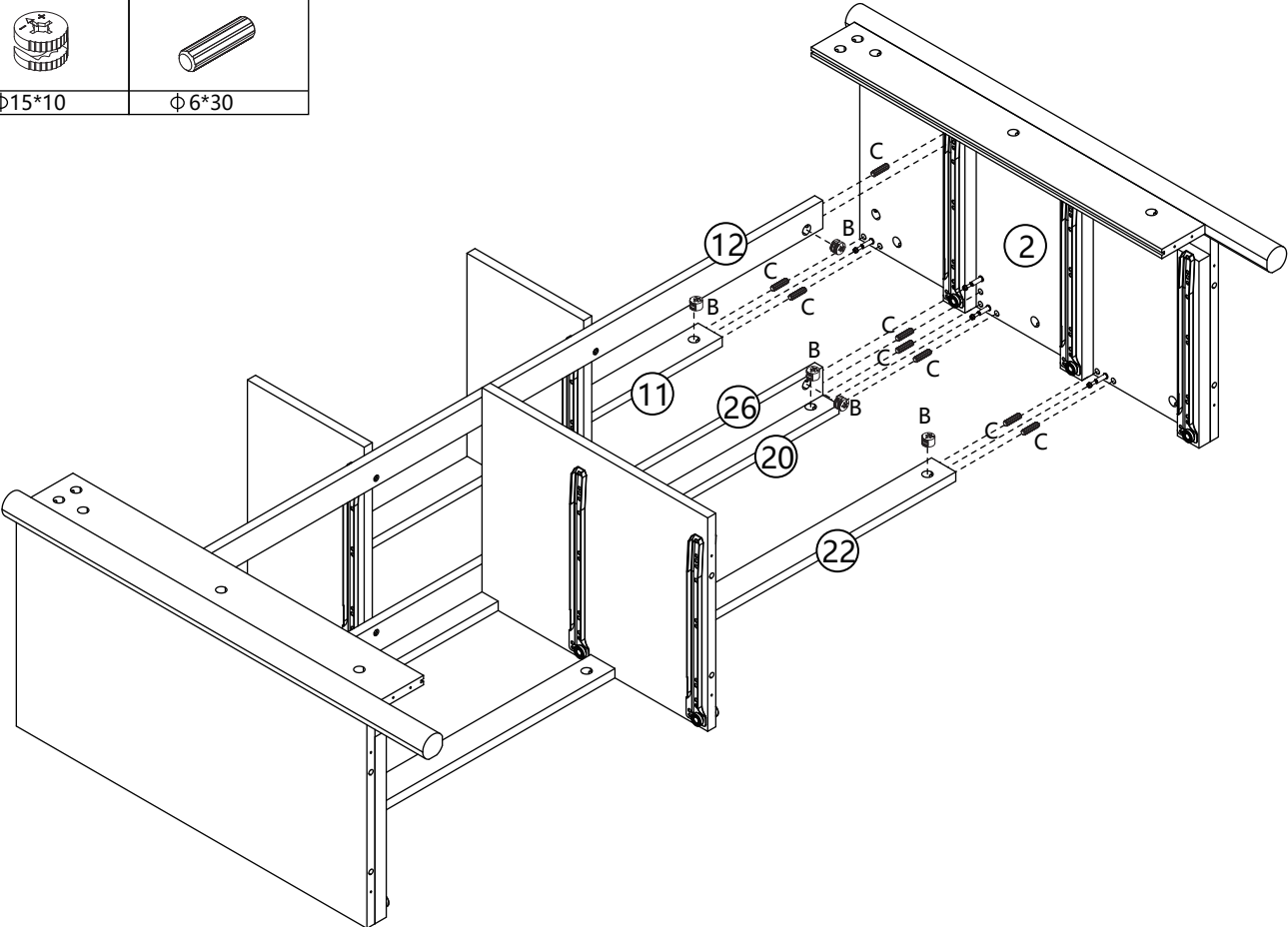
STEP13

B	X 5	C	X 8
			
Φ15*10		Φ6*30	

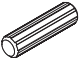



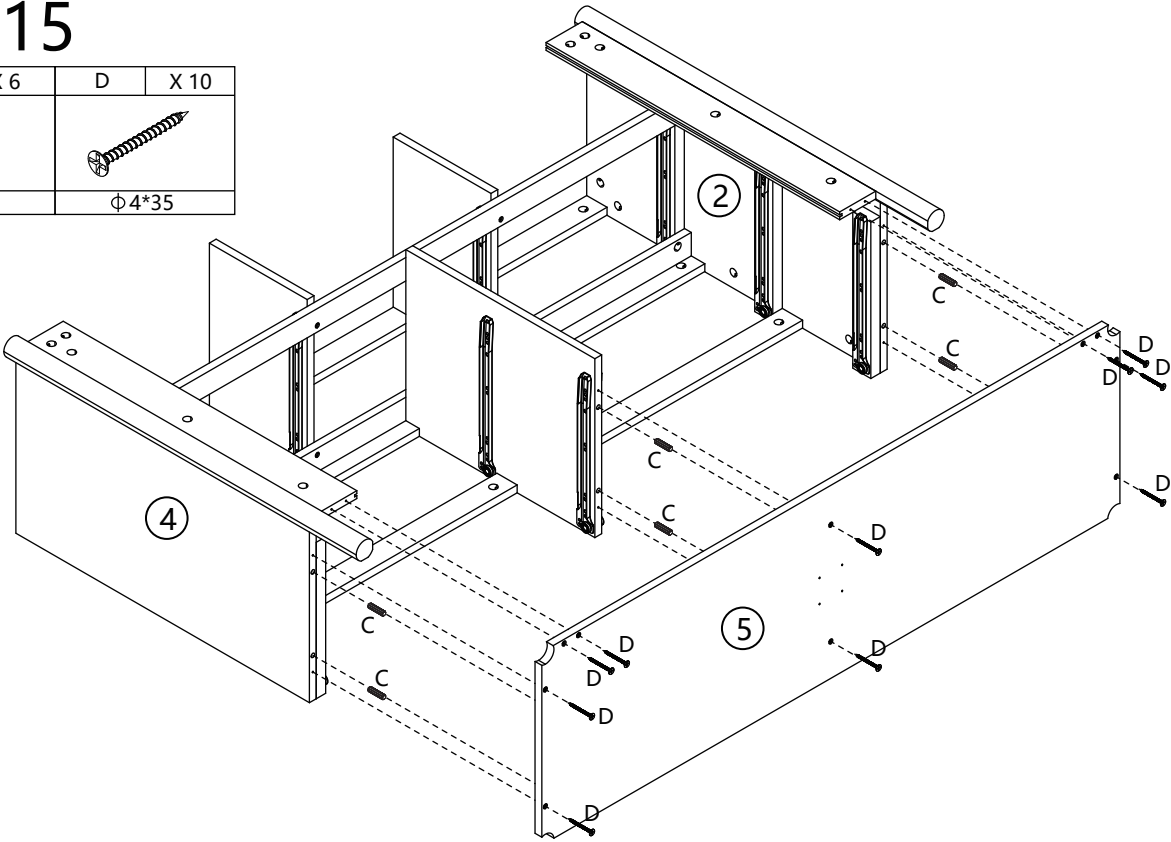
STEP14

B	X 5	C	X 8
			
Φ15*10		Φ6*30	

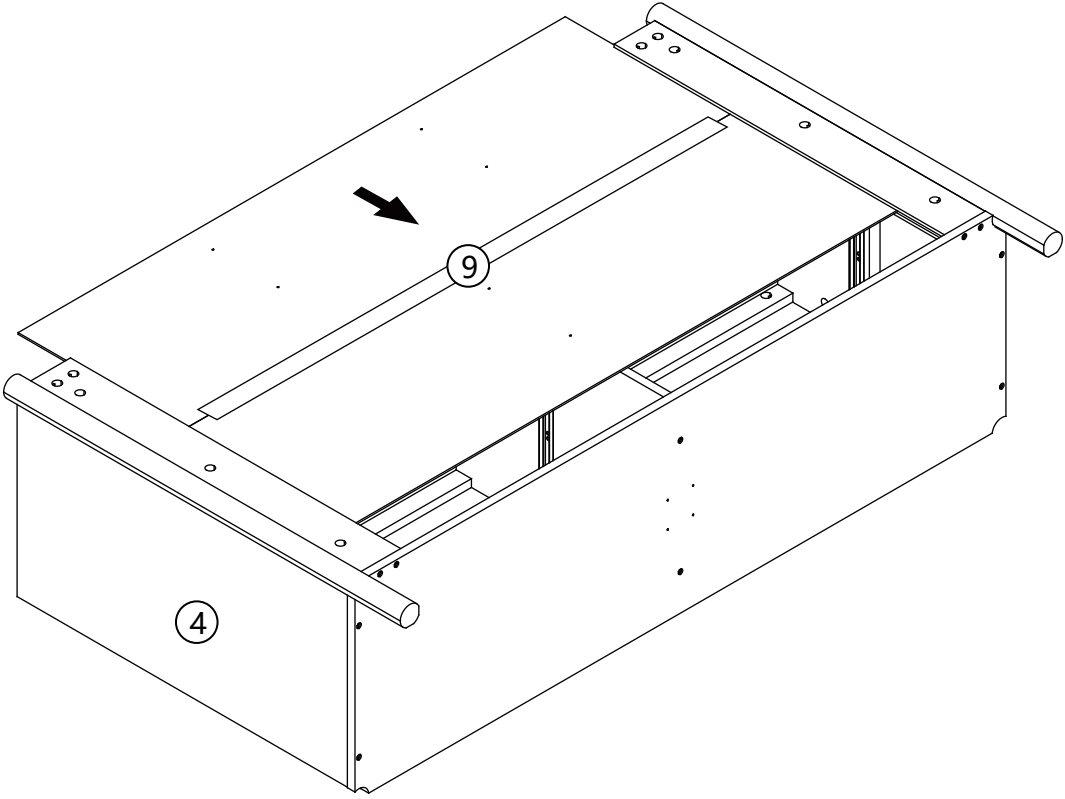


STEP15


C	X 6	D	X 10
			
$\phi 6 \times 30$		$\phi 4 \times 35$	

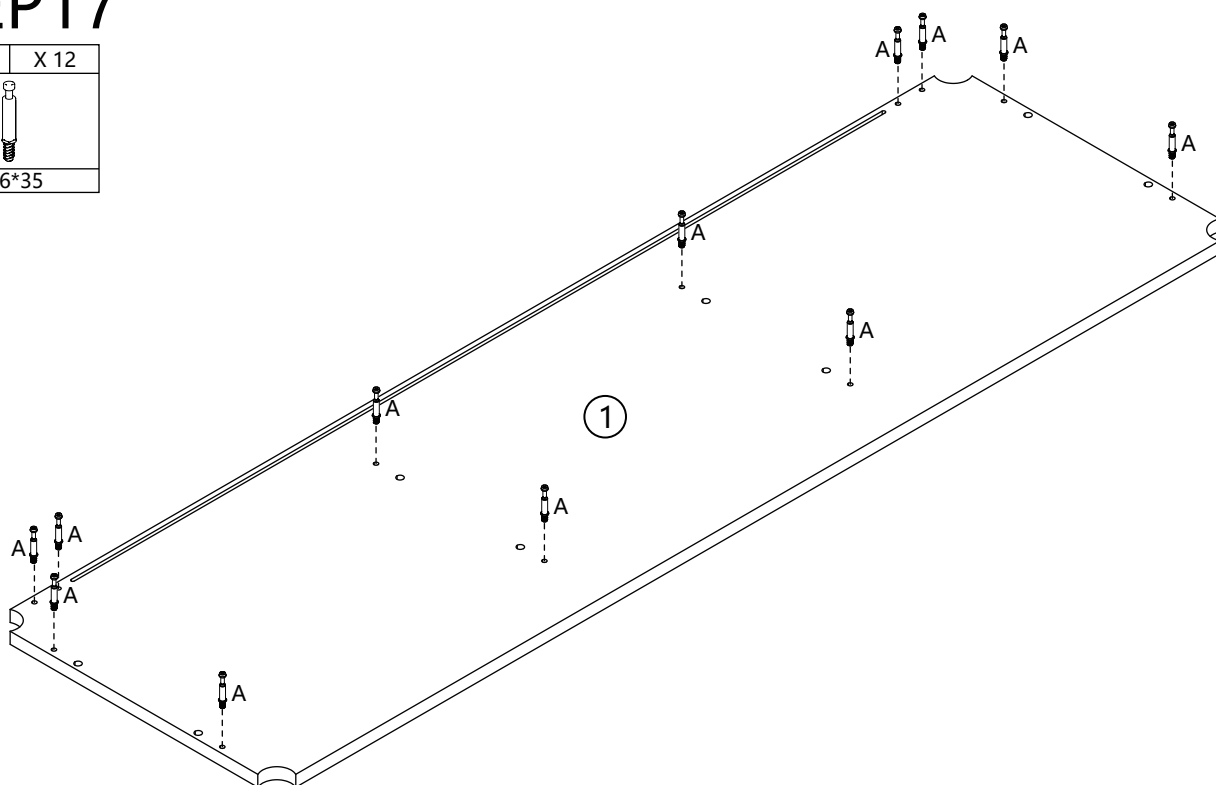


STEP16


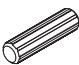


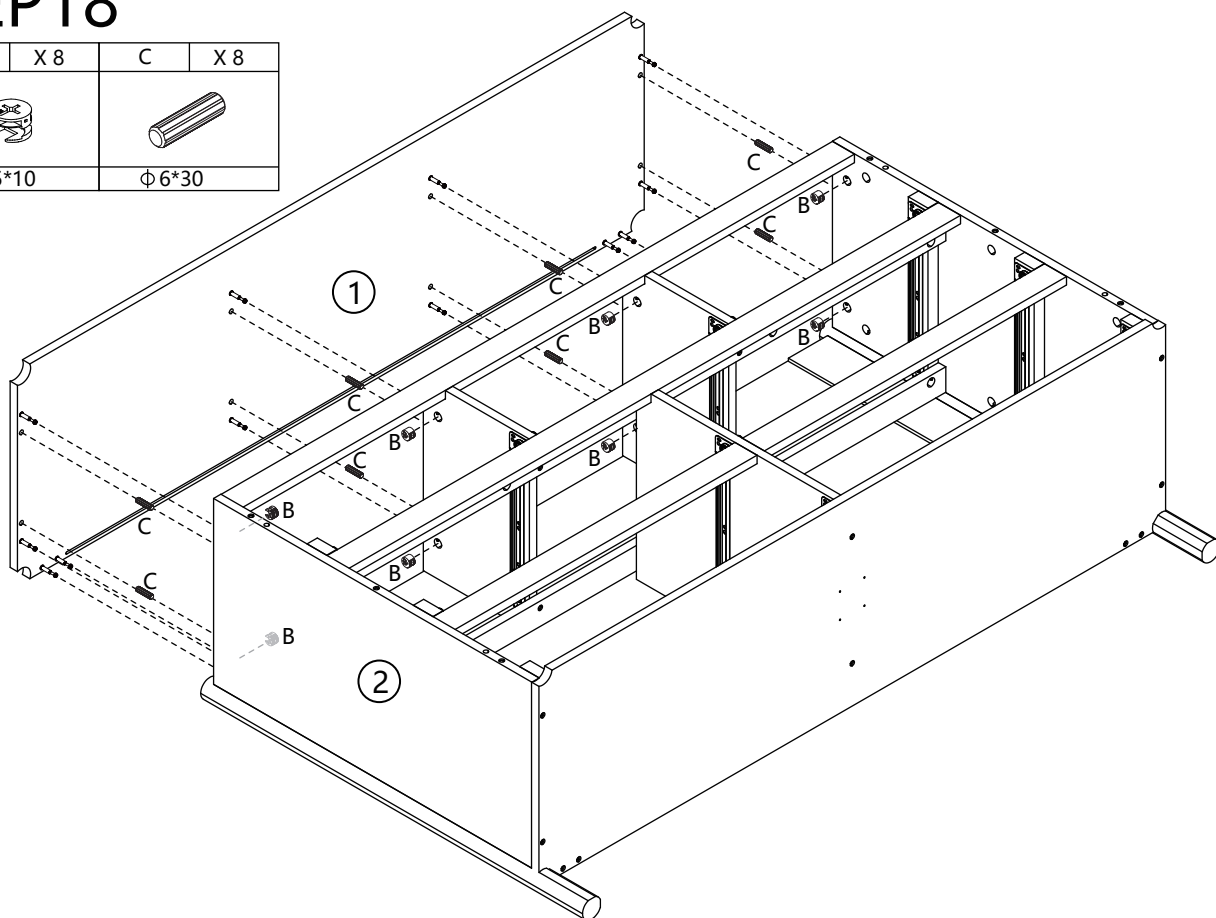
STEP17

A	X 12
	
M6*35	


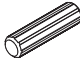


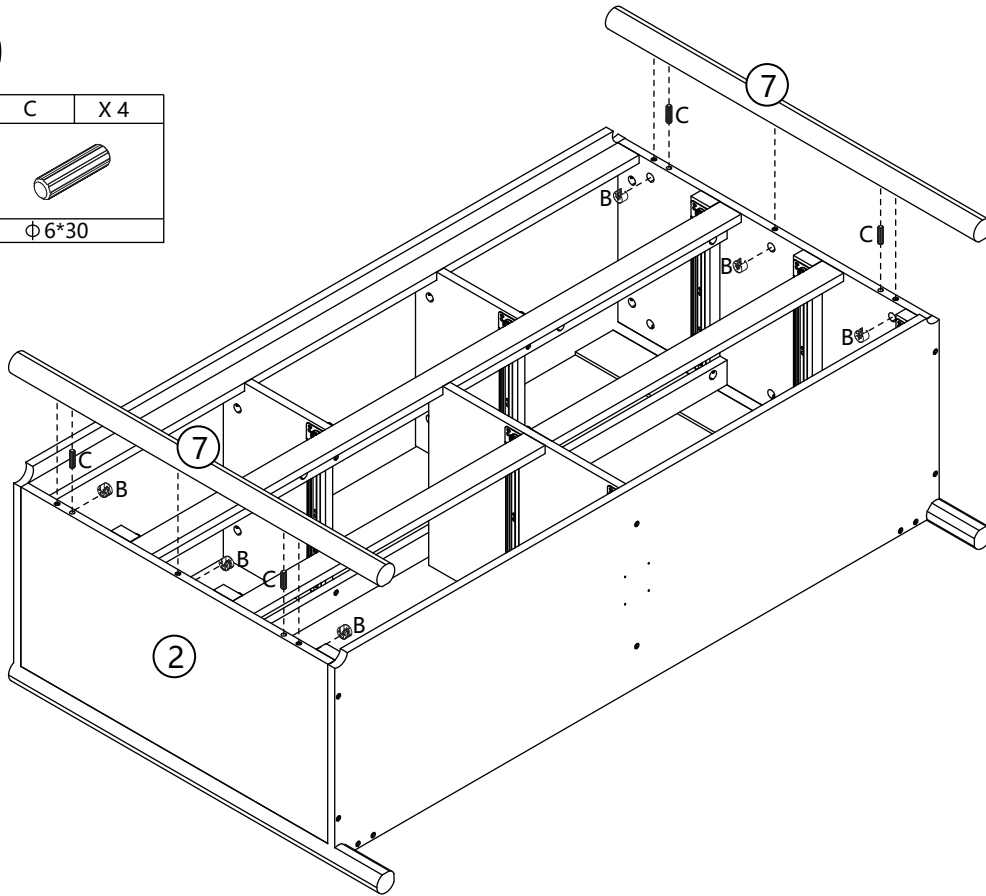
STEP18

B	X 8	C	X 8
			
Φ15*10		Φ6*30	





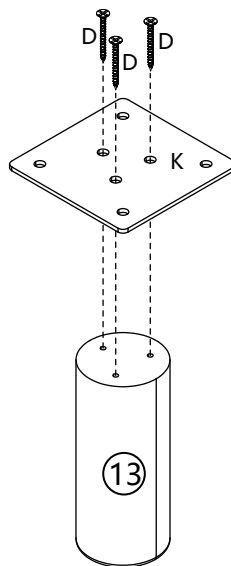
STEP19

B	X6	C	X4
			
$\phi 15*10$		$\phi 6*30$	






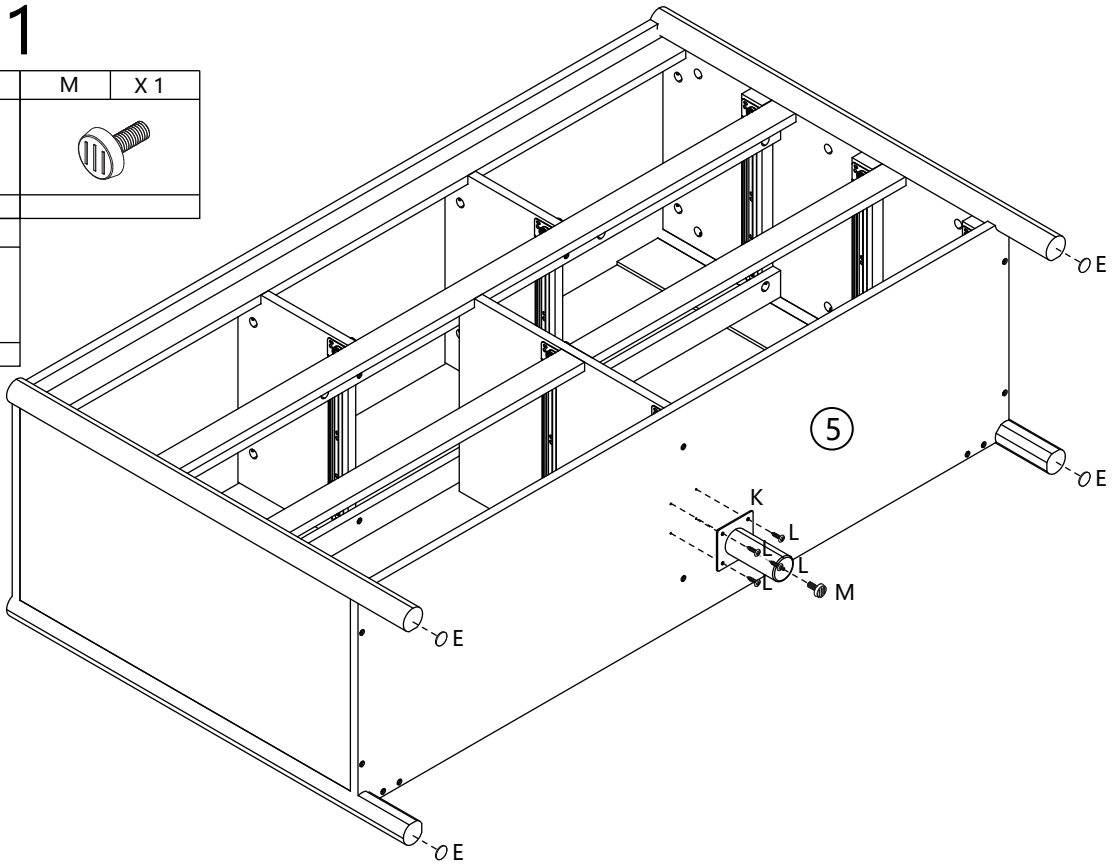
STEP20

D	X3	K	X1
			
$\phi 4*35$			







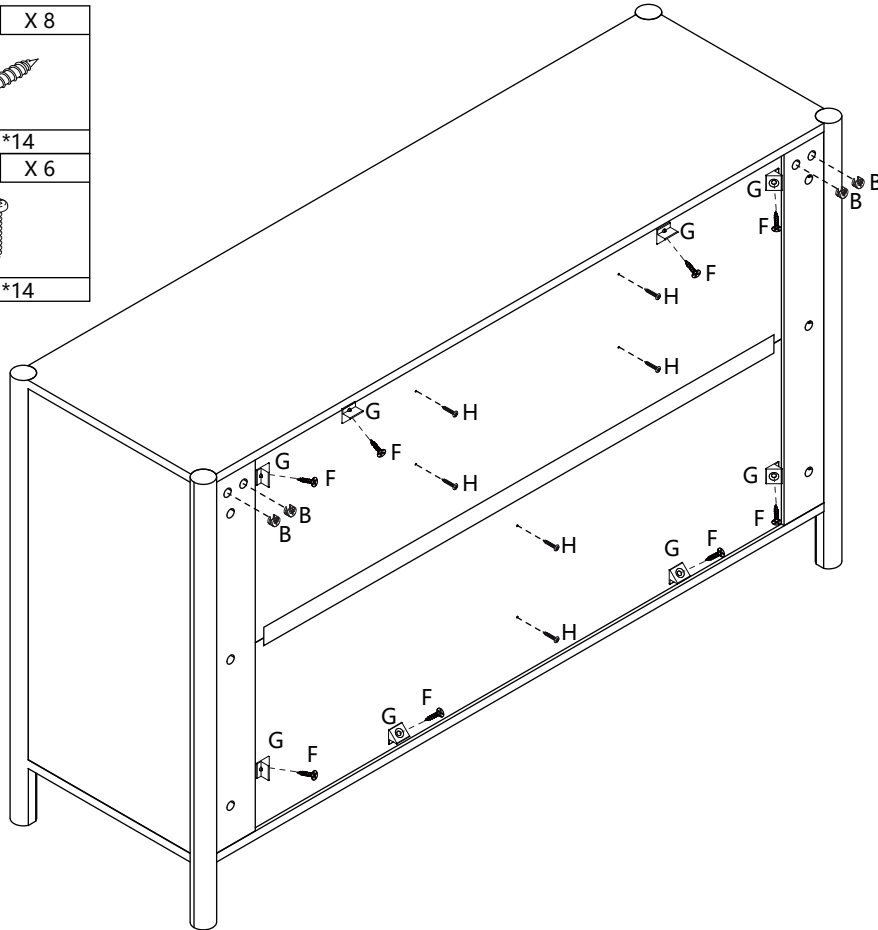
STEP21

L	X4	M	X1
			
M4*12			
E	X4		
			
Φ25*3			




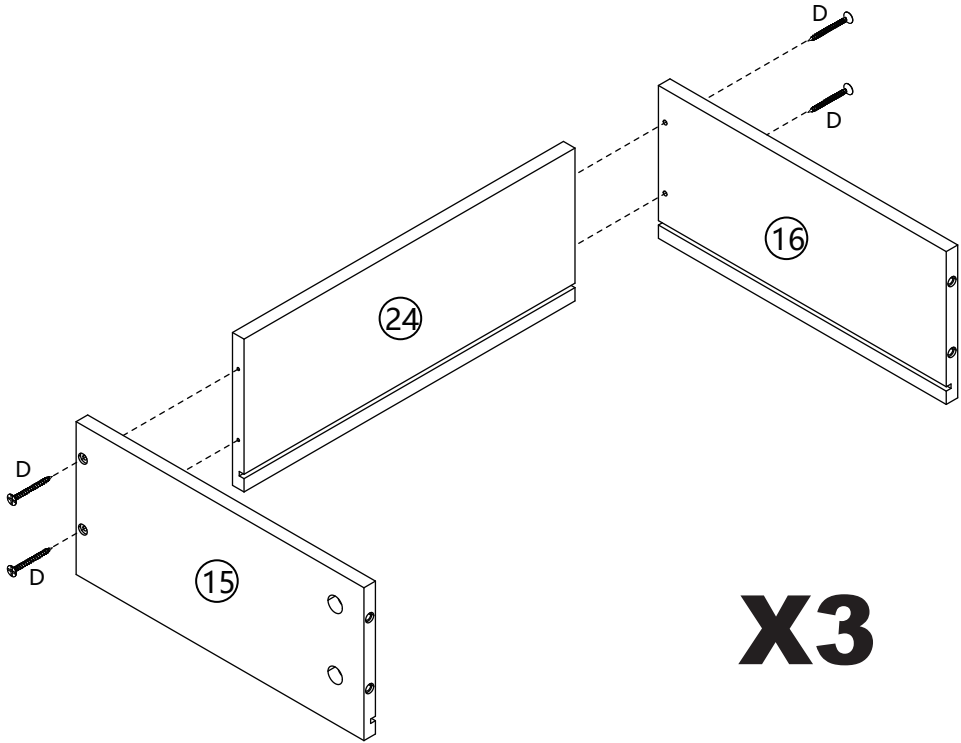
STEP22

B	X4	F	X8
			
Φ15*10		M3*14	
G	X8	H	X6
			
M3*14			

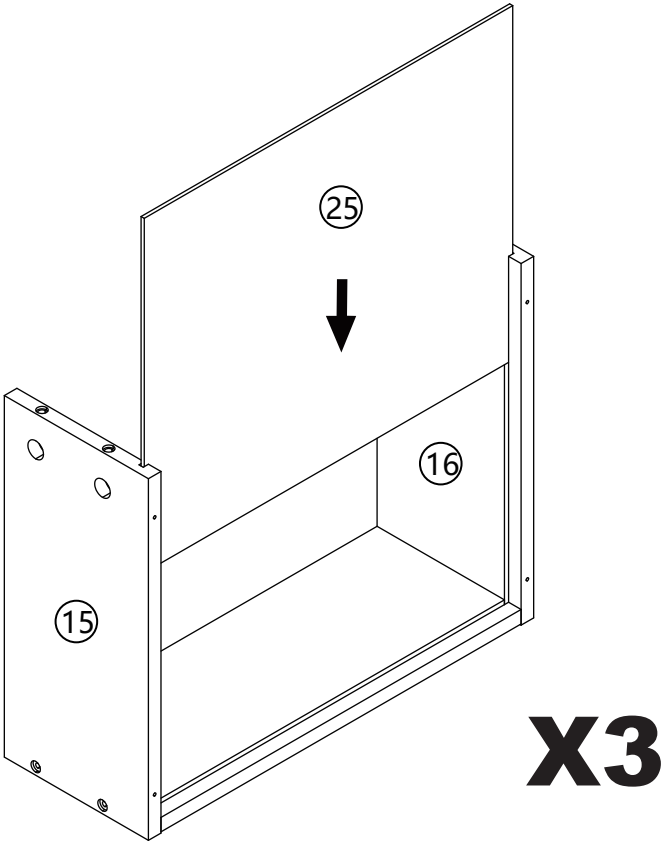


STEP23

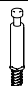
D	X 12
	
Φ4*35	

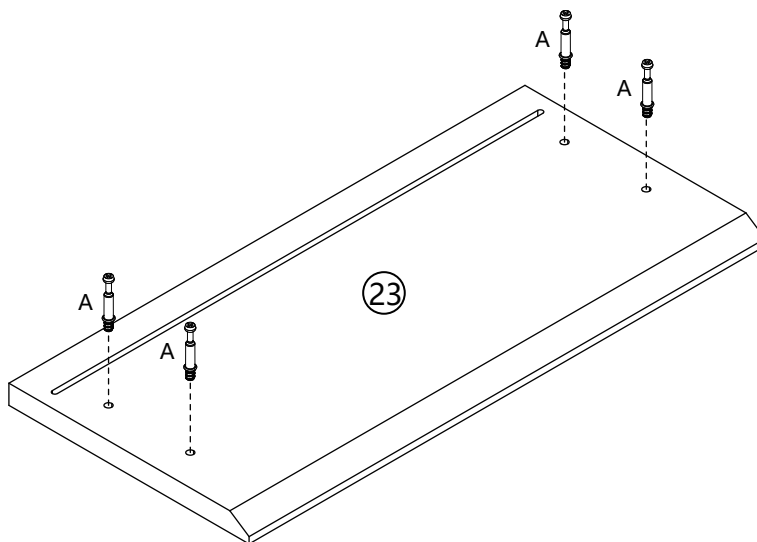


STEP24




STEP25

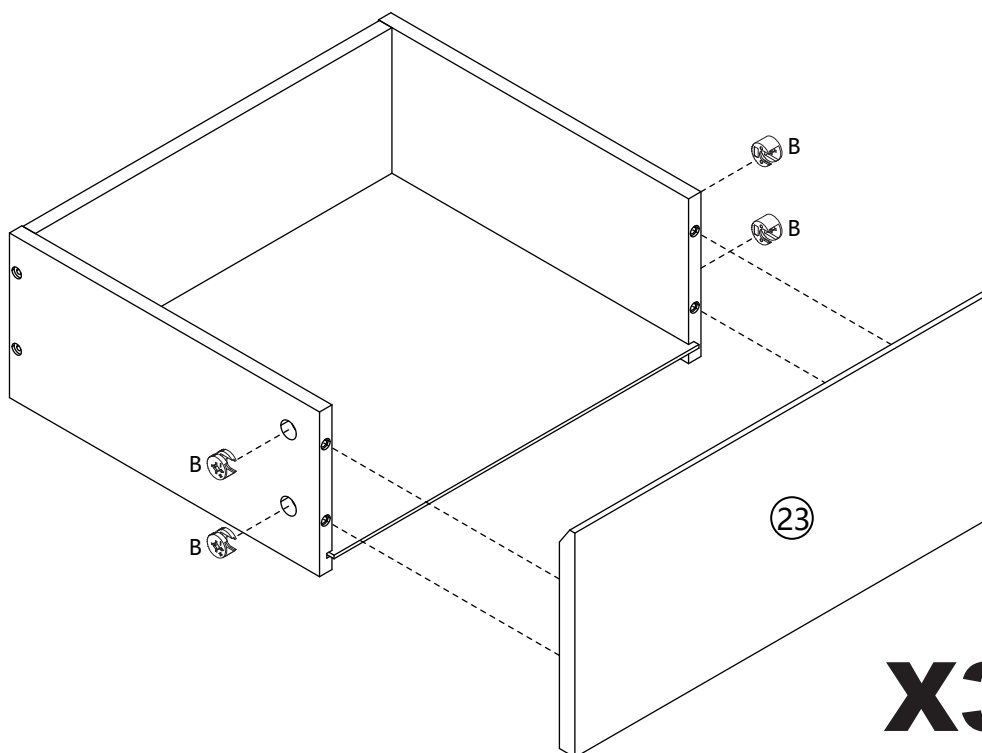
A	X 12
	
M6*35	



X3

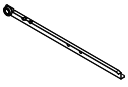
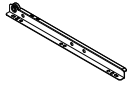
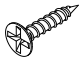
STEP26

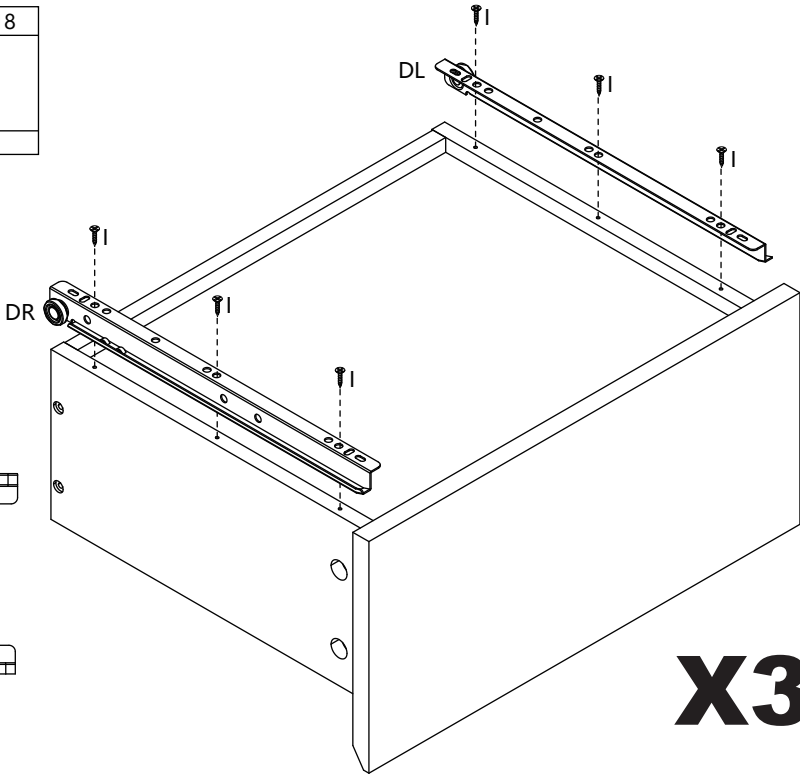
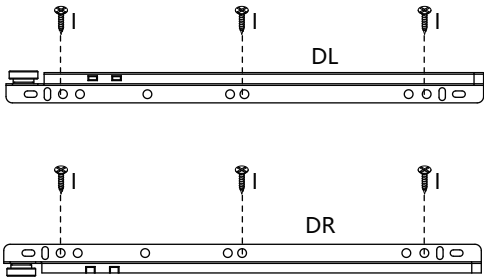
B	X 12
	
Φ15*10	




X3

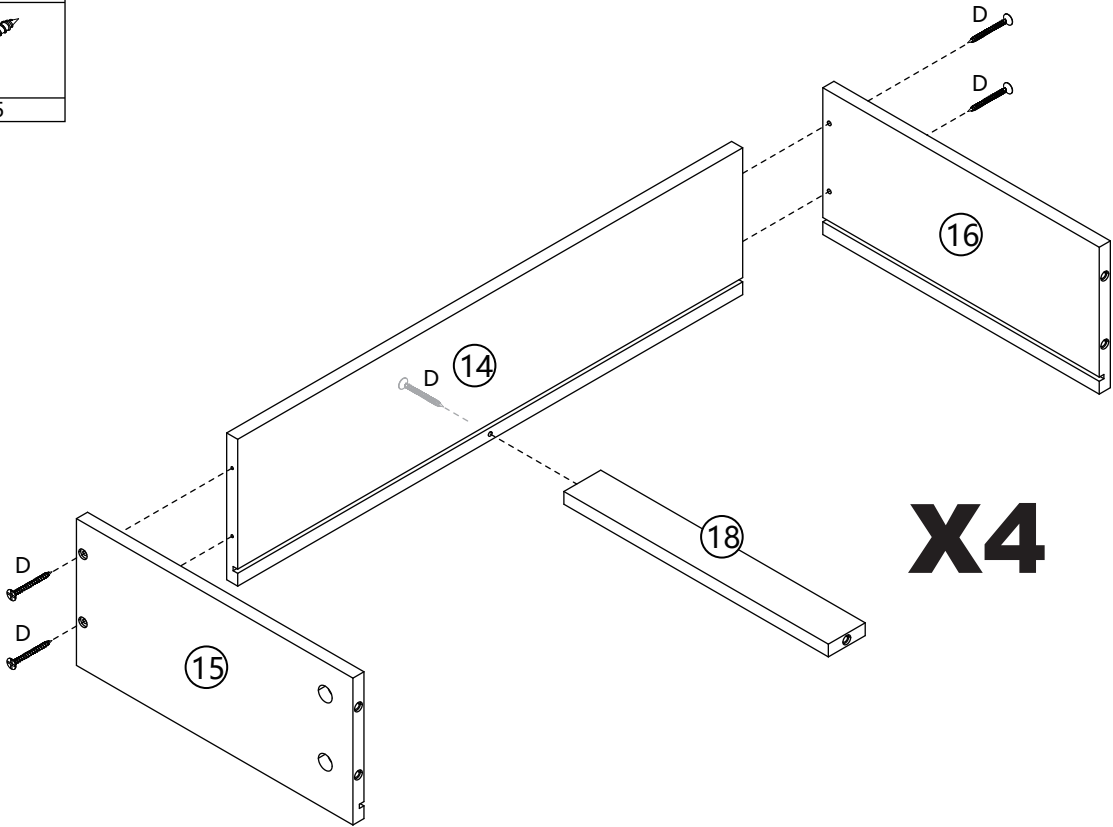
STEP27

DL	X 3	DR	X 3	I	X 18
					
300		300		M3*12	

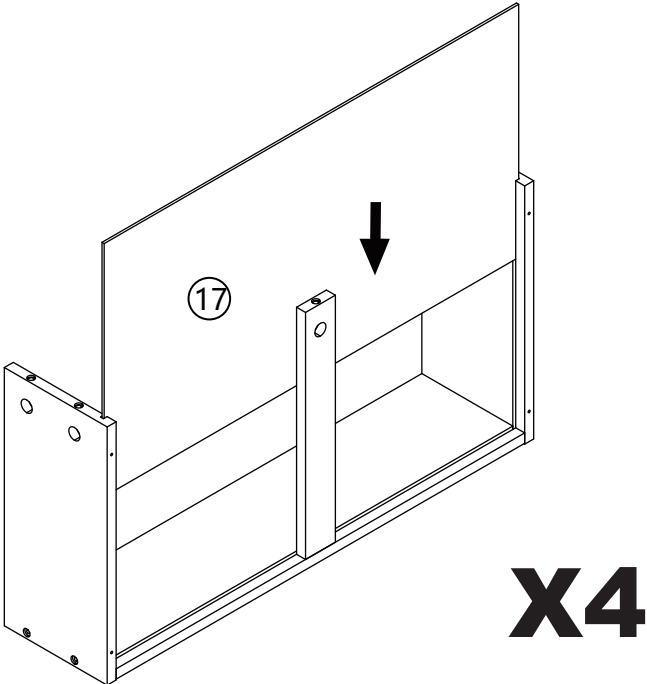


STEP28

D	X 20
	
Φ4*35	

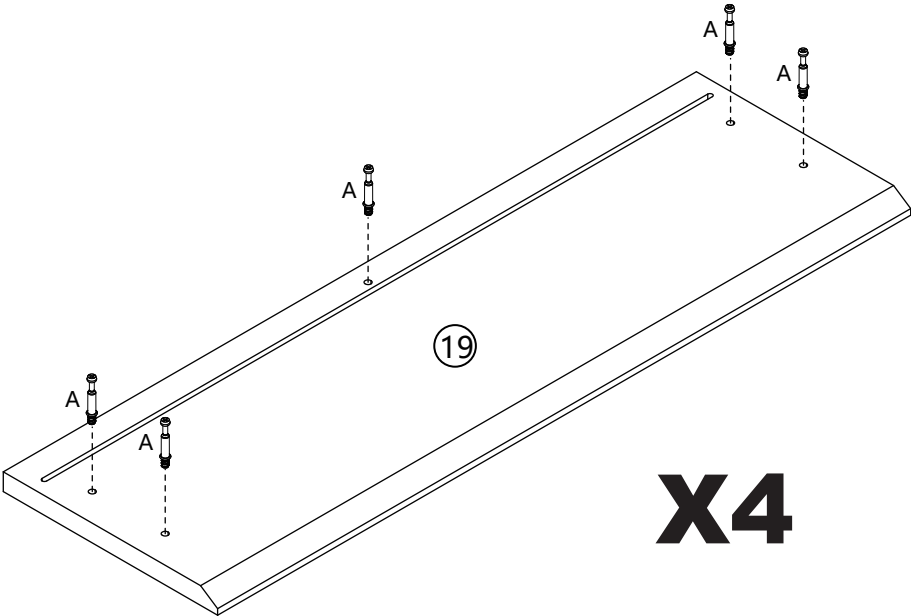


STEP29




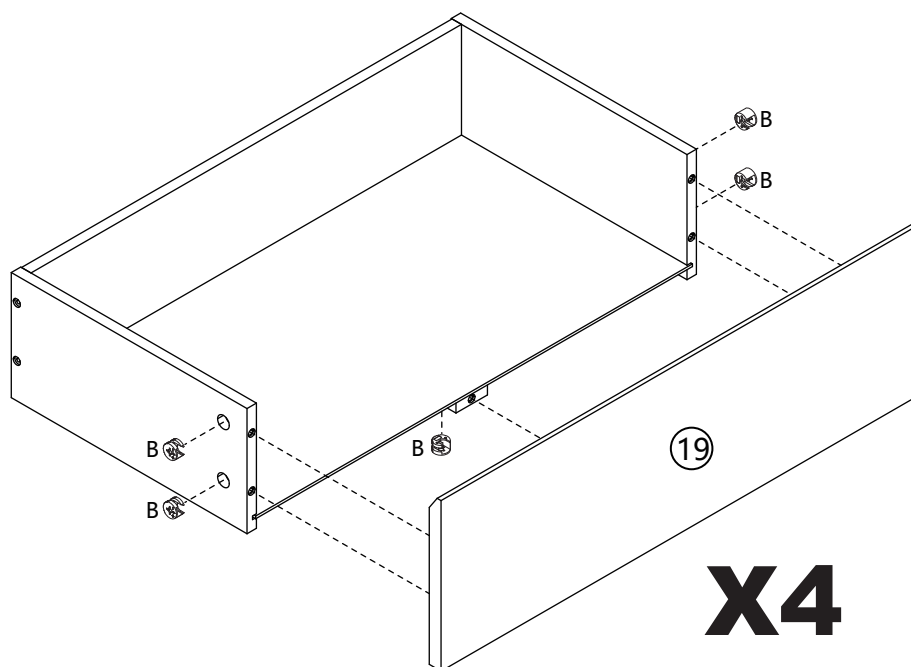
STEP30

A	X 20
M6*35	



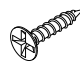


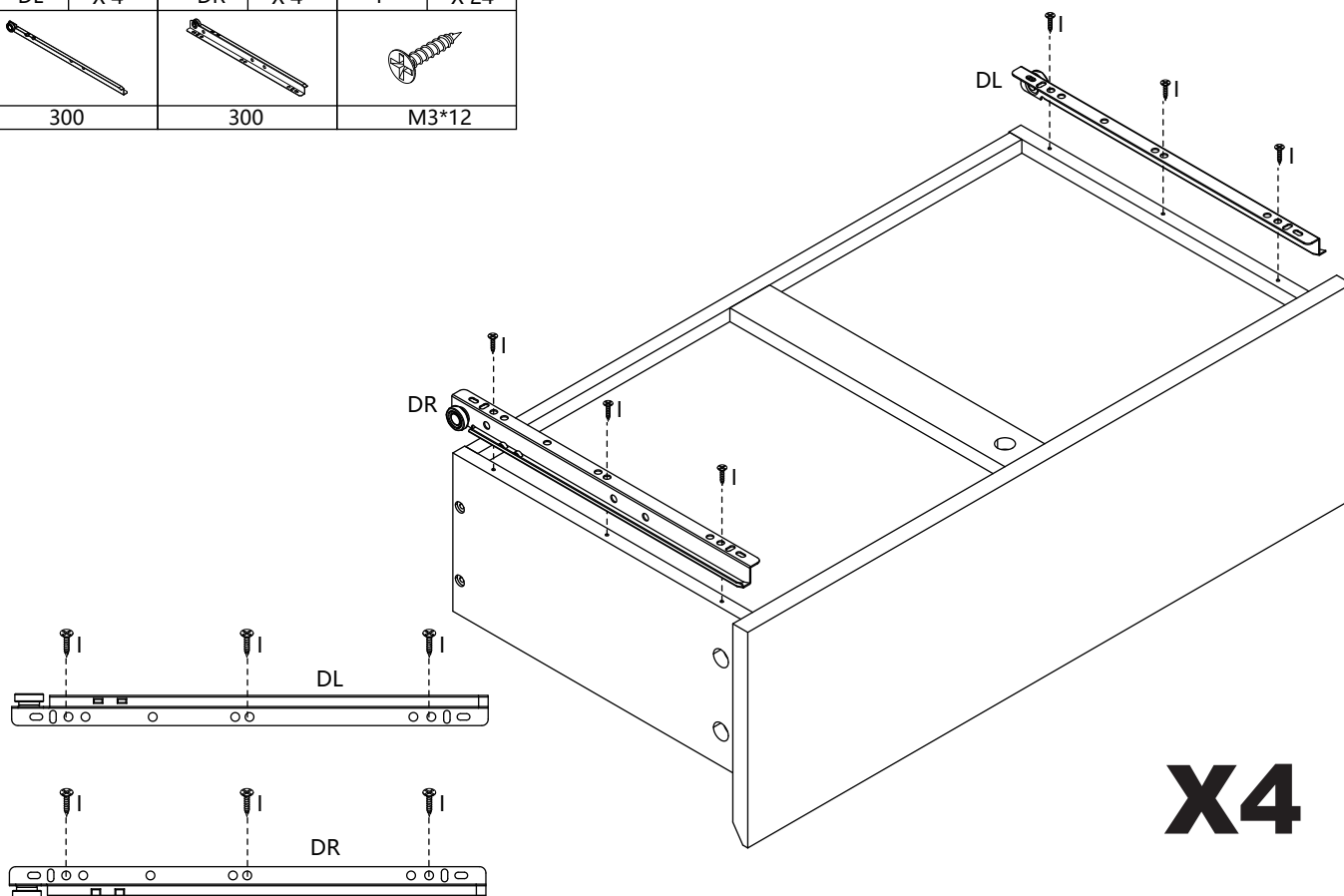
STEP31

B	X 20
	
$\phi 15 \times 10$	

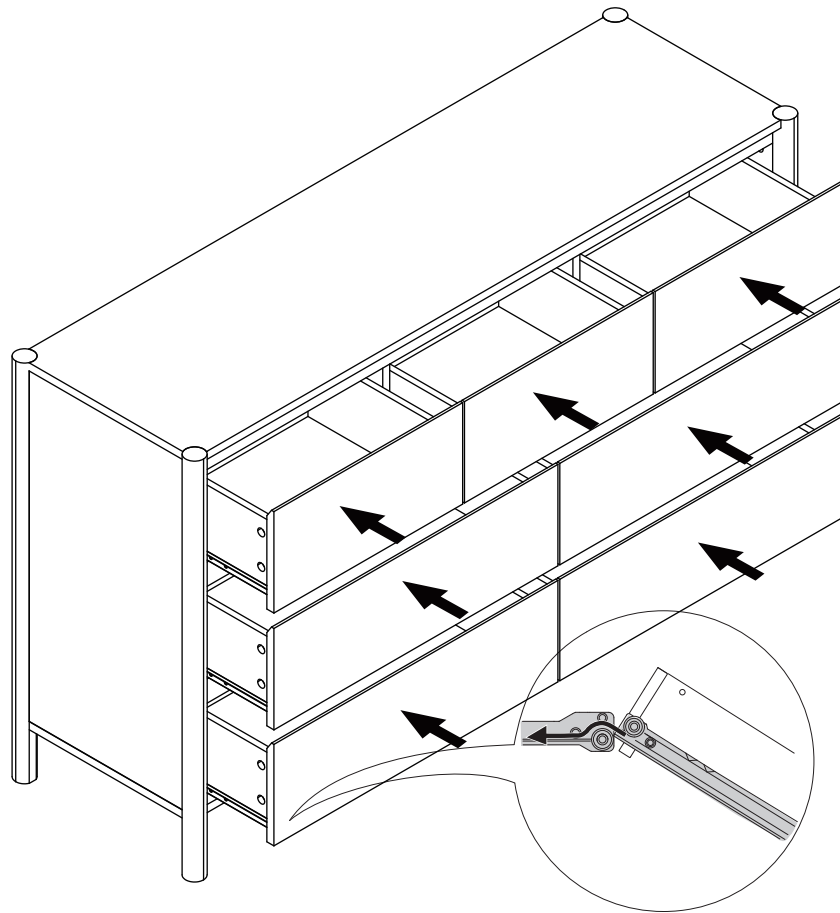


STEP32




DL	X 4	DR	X 4	I	X 24
					
300		300		M3*12	

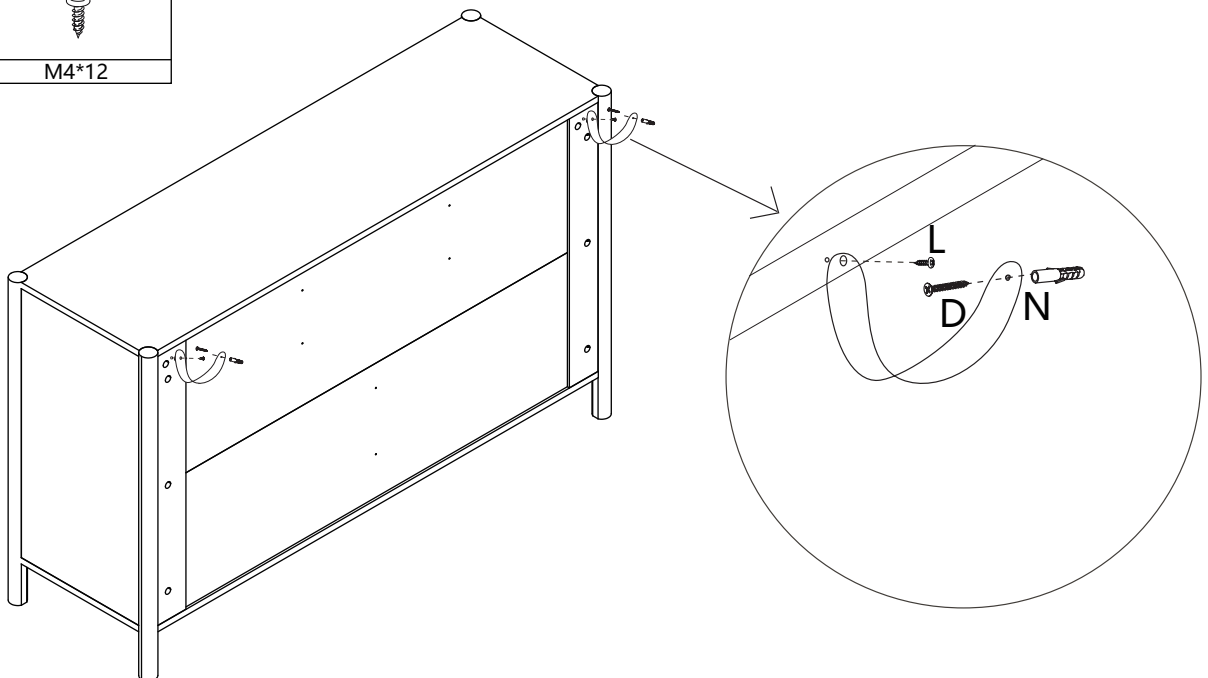


STEP33



STEP34

D	X 2	L	X 2
			
M4*35		M4*12	
N	X 2		
			



IMPORTANT SAFETY INFORMATION

Please carefully read the instructions and caution warnings below before assembling the product. Following this guide will ensure that you install, use and maintain the product properly.

- Please keep this installation and user manual/instructions for future reference in case you need to assemble the product.
- Do not assemble if you notice serious damage such as cracks or bends.
- During installation, please use work gloves for hand safety.
- Please assemble the unit on carpeted floor or the flat cardboard box to avoid scratching the surface or your floor while assembling on the floor.
- Pay more attention to the direction of components at each steps.
- It is recommended that two people work together to assemble the product.

Missing / Wrong / Broken parts and installation issues

How to find us?

Customer Service

Email: support@homejoyee.com