

# ASSEMBLY INSTRUCTIONS

SKU# 92533

## Before beginning

Unpack all parts and hardware to ensure you have all needed components for assembly.

Read this guide cover before beginning assembly.

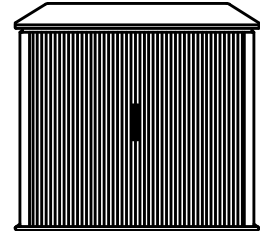
Assemble this item on a soft surface such as carpet to protect finish.

Proper assembly of this item requires 2 people & 20 minutes to assemble.

## CARE INSTRUCTIONS

Wipe with a soft dry cloth. To protect finish, avoid the use of chemicals and household cleaners, Any liquid spilled on the table should be cleaned up immediately with a damp cloth.

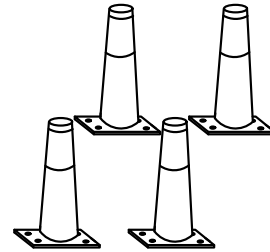
TOP



A

LEG

BX4




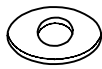

## HOW TO ASSEMBLY

**STEP-1** Place the sideboard upside down on rug.

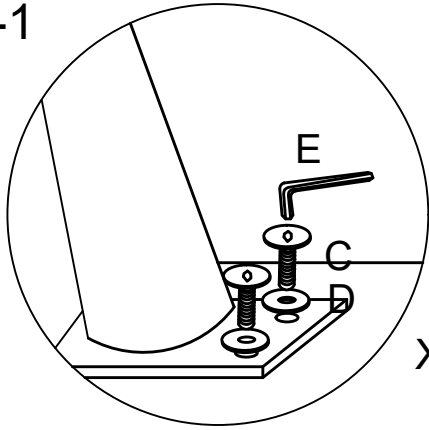
**STEP -2** Insert allen bolt ( C ) with flat washer ( D ) then tighten with allen key ( E ).

**STEP -3** Turn the sideboard upside top. Sideboard is ready to use.

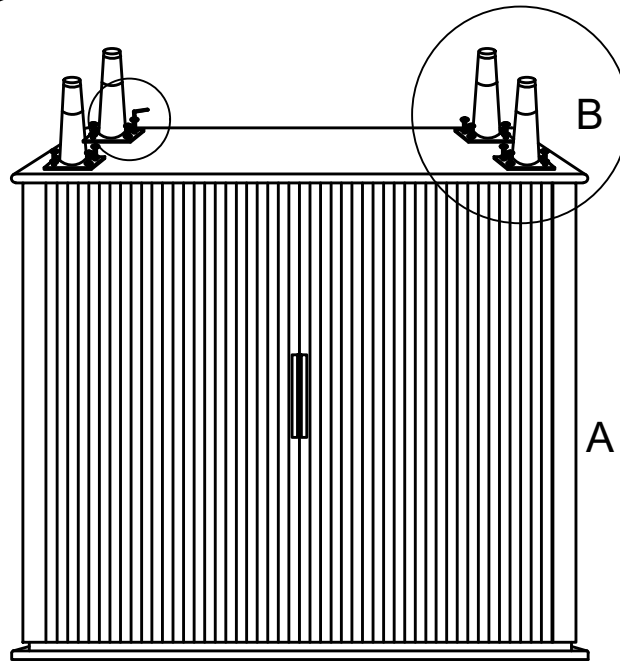
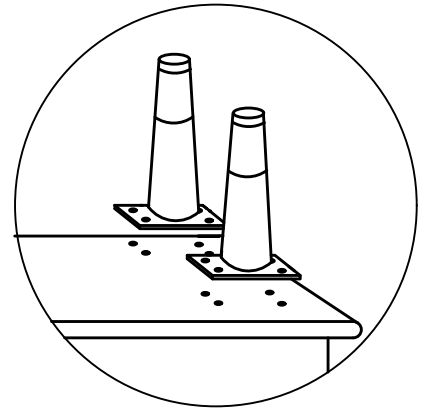
## Hardware & Tool Required:-

No.	Sketch	Description	Size	Qty.	Ext.
C		Allen bolt	0.75"X0.23"	16	1
D		Washer	1"X0.31"	16	1
E		Allen key	0.19"	1	0

STEP -1

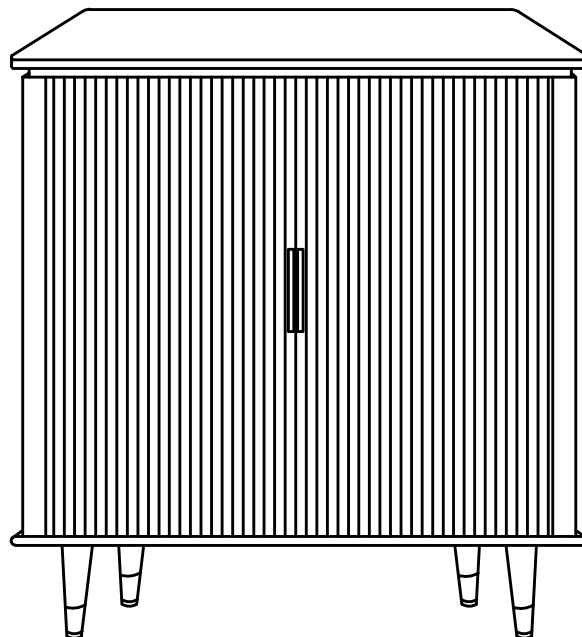


X16



A

STEP -2



FINAL PRODUCT