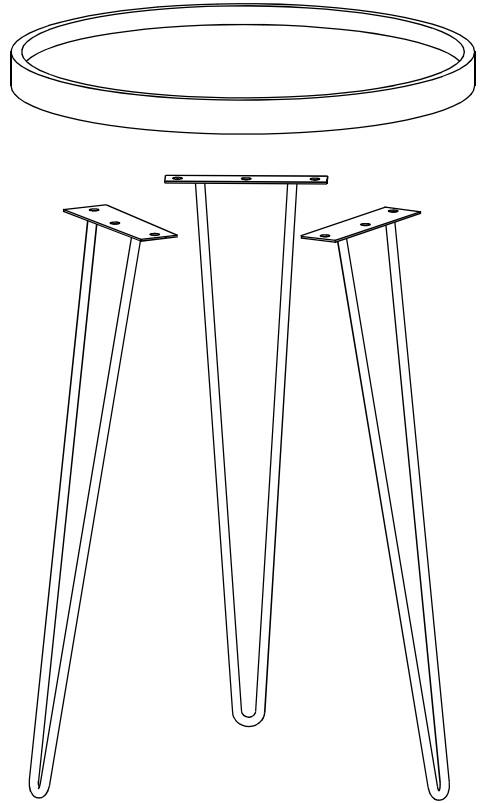
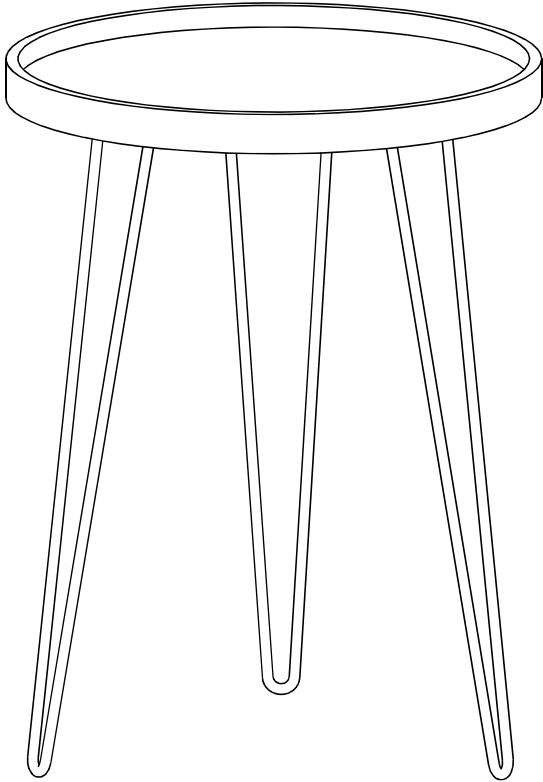

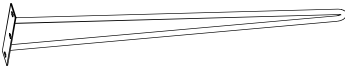
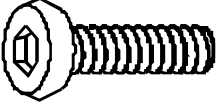




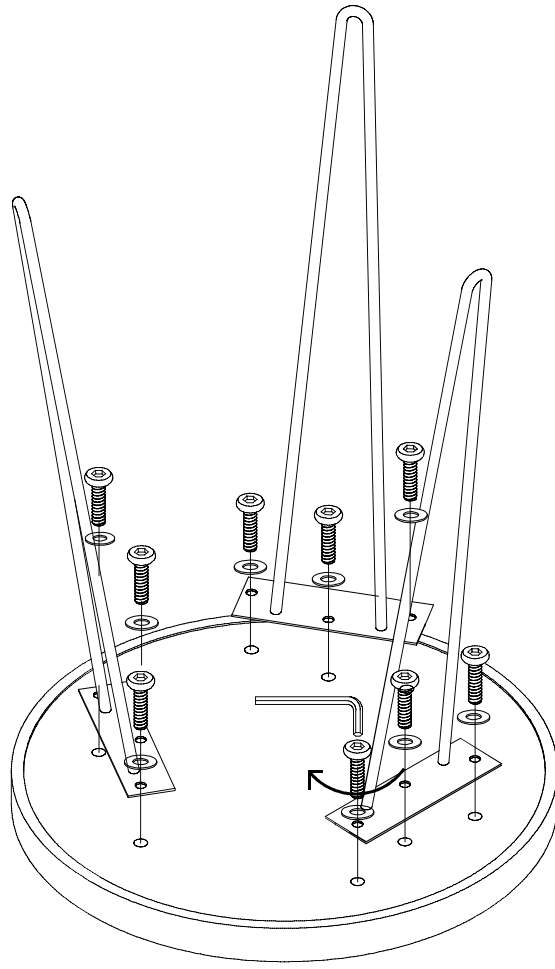
ASSEMBLY INSTRUCTIONS



PARTS LIST

<p>x1</p> 	<p>x3</p> 	<p>x9</p> 
<p>x9</p> 	<p>x1</p> 	

STEP1



STEP2

