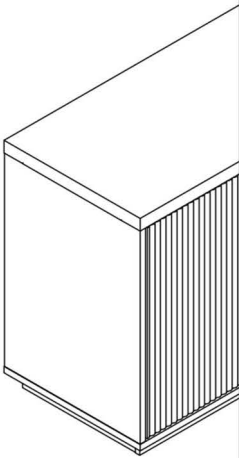


Owner Manual



WARRANTY

We strive to offer high quality product and we also try our best to satisfy each customer that order from us, no matter on products or services as needed. Each customer receives a record of their order, such as the order number or item receipt. For any items that are out of warranty period, you may still be able to purchase the replacement parts from our company if they are available.



MAINTENANCE AND WARNING

Please read the manual thoroughly
before you start installing.

Avoid direct sun light and high humidity.

Packaging and small parts may have
chocking hazard, please keep them away
from children and pets.

Please clean the product according to each
clean code, check the product description
for more information.

This product is designed for indoor
residential use only.

Avoid placing hot, wet, or heavy objects
directly on the surface.

DO NOT overload the shelves.

Keep the doors and drawers closed
when not in use to maintain balance.

If moving the product, empty all shelves
and drawers first.

Disassemble large furniture before
relocation to avoid structural stress.



Around 90 min

PRODUCT DESCRIPTION

High-Capacity Divided Storage System: Four equal-width doors open to clearly partitioned interior compartments, offering generous space for books, documents, décor, media equipment, and daily essentials.

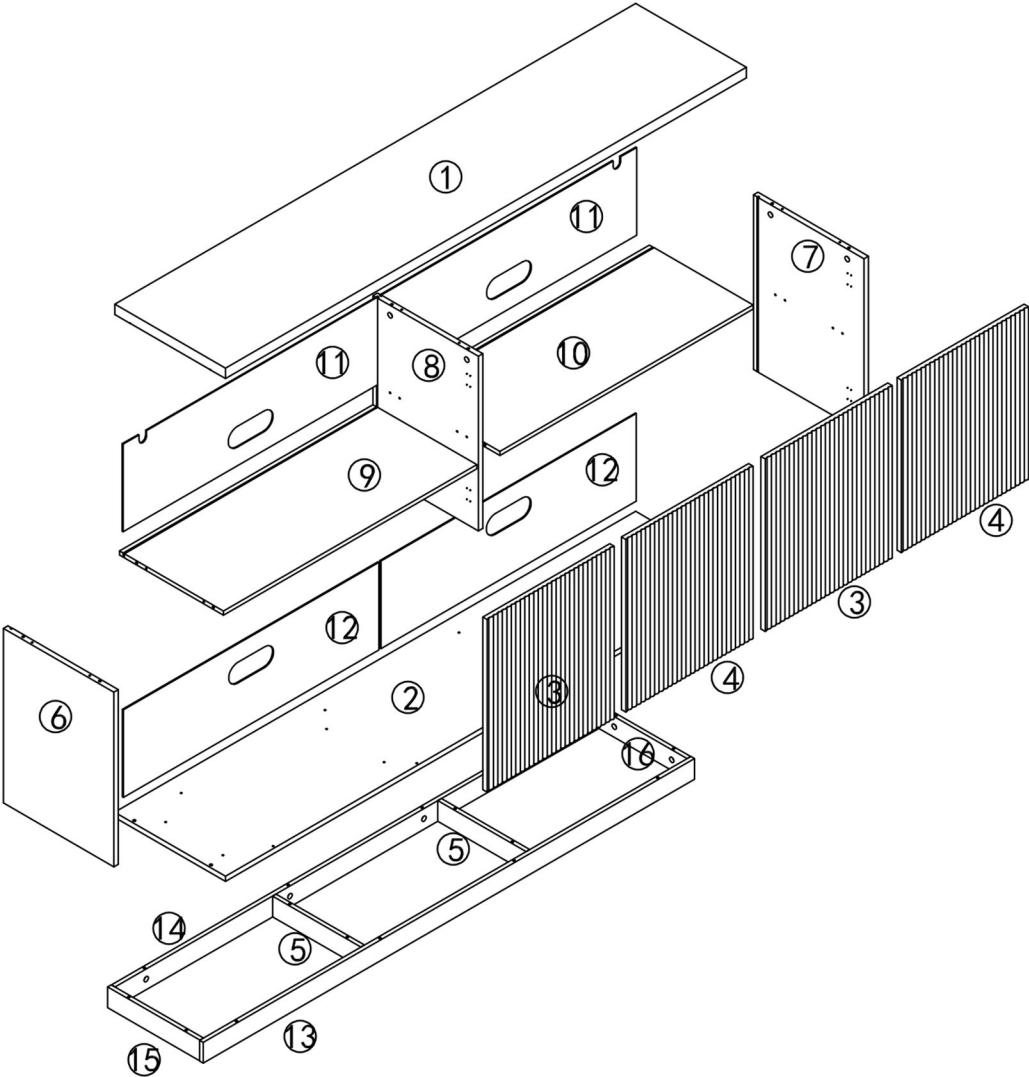
Premium Solid Wood Construction: The cabinet body, door panels, and substantial base are crafted entirely from natural solid wood, delivering impressive load-bearing performance, long-term durability, and a healthier indoor furnishing choice.

Minimalist Design with Textured Detail: Clean architectural lines, symmetrical proportions, concealed pull design, and precision vertical fluting create subtle visual depth while preserving a sleek, uninterrupted façade.

Integrated Cable Management Opening: A reserved wiring hole allows convenient device connection for entertainment components or office electronics, keeping cords controlled and visually streamlined without disrupting the cabinet's minimalist exterior.

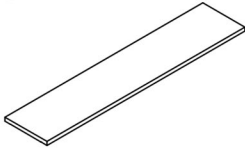
Reinforced One-Piece Structure with Elevated Base: The integrated cabinet frame enhances stability, while the thick same-material base raises the unit slightly for improved moisture protection and structural balance.

EXPLODED VIEW



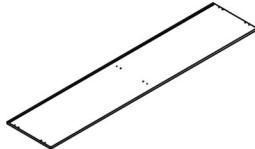
PARTS

① x1



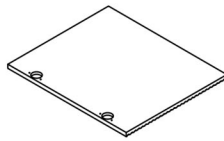
Top panel

② x1



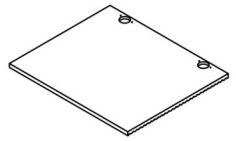
Bottom panel

③ x2



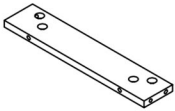
Doors

④ x2



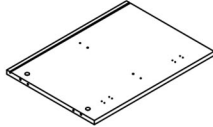
Doors

⑤ x2



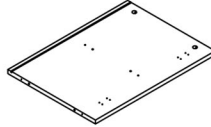
Support blocks

⑥ x1



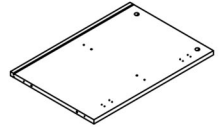
Side panel

⑦ x1



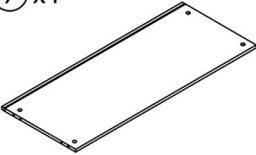
Side panel

⑧ x1



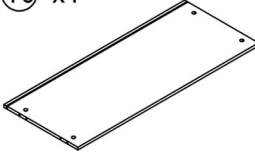
Middle panel

⑨ x1



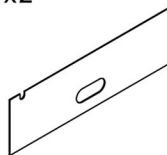
Shelf boards

⑩ x1



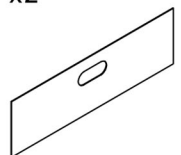
Shelf boards

⑪ x2



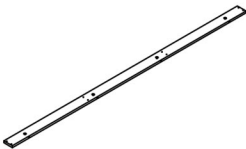
Back panels

⑫ x2



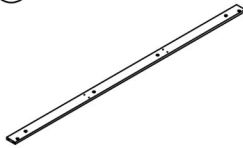
Back panels

⑬ x1



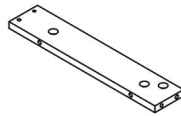
Rail

⑭ x1



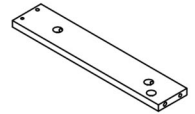
Rail

⑮ x1



Support blocks

⑯ x1

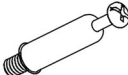






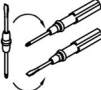
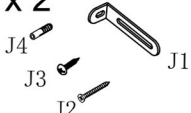

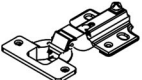



Support blocks

HARDWARE

TOOL LIST

NOTE: Designated with (★) We provide additional spare parts in the hardware package

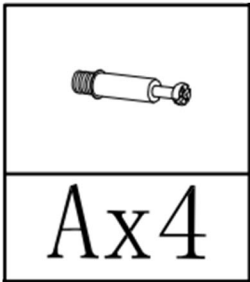
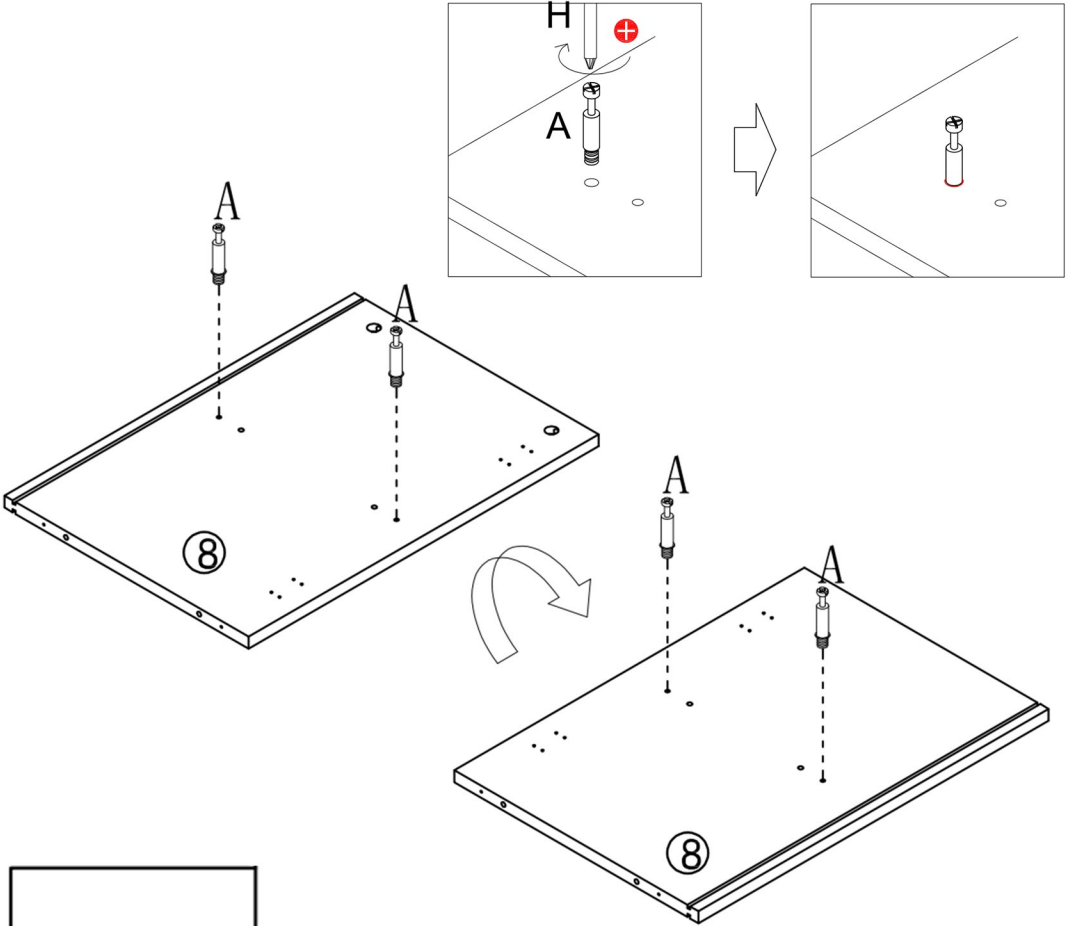
<p>A x 38</p>  <p>Cam bolts</p>	<p>B x 38</p>  <p>Cam locks</p>	<p>C x 28</p>  <p>Wooden dowel Ø6*30mm</p>	<p>D x 6</p>  <p>Screws M3.5*35mm</p>
<p>E x 64</p>  <p>Screws M3.5X12mm</p>	<p>F x 24</p>  <p>Screws M3X16mm</p>	<p>G x24</p>  <p>Back panel clips</p>	<p>H x 1</p>  <p>Screwdriver</p>
<p>J x 2</p>  <p>Anti-tip brackets</p>	<p>L x 2</p>  <p>Hings</p>	<p>M x 4</p>  <p>Hings</p>	<p>N x 1</p>  <p>Magnetic catches</p>

Please make sure all hardware&packing material fitting the list.

Especially some small accessories may be missing during transportation. Please contact us if you have any question.

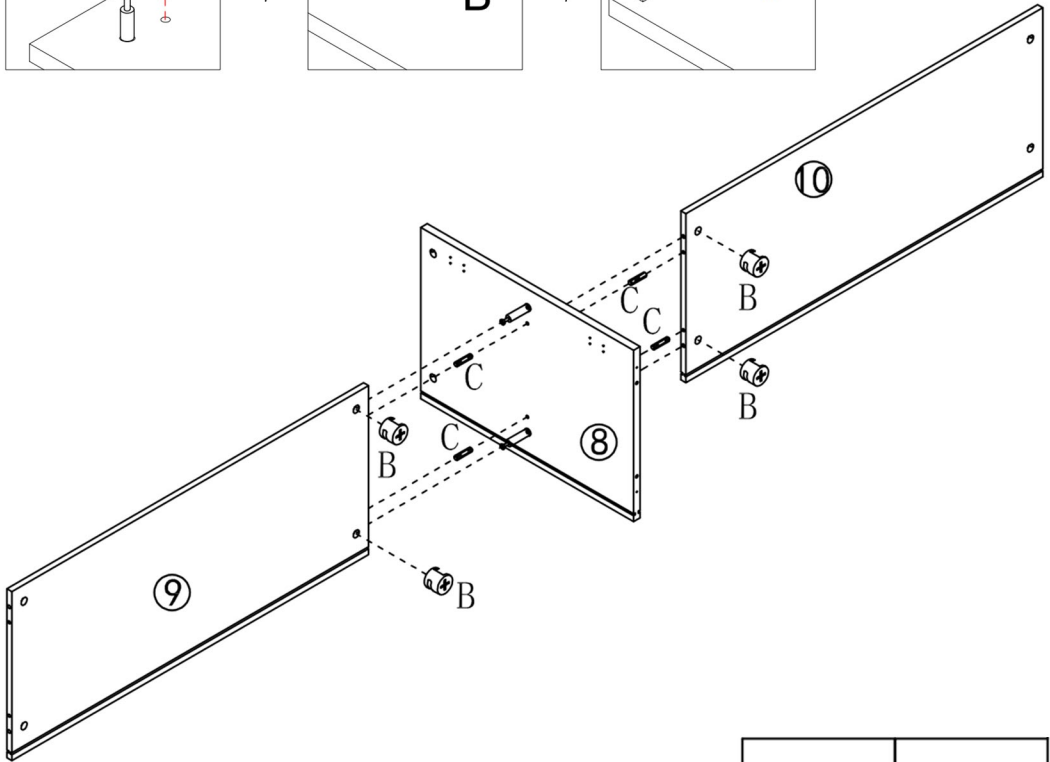
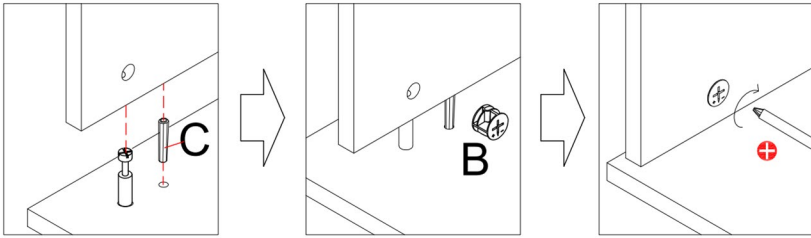
step 1 ---Center Board Prep

Screw the cam bolts (A) into the holes on both sides of the center boards (8).

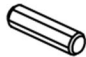



step 2 ---Inner Structure

Connect the shelf boards (9) and (10) to the center board (8) using wood dowels (C) and cam locks (B).

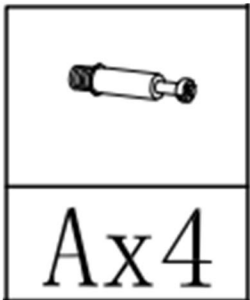
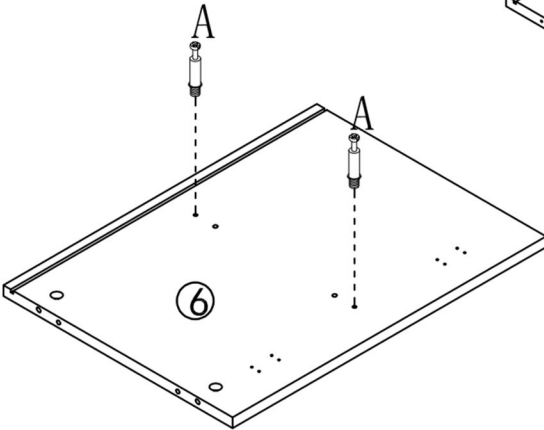
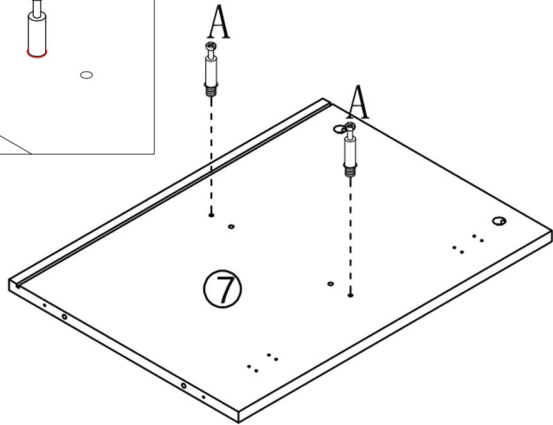
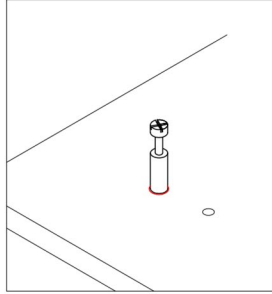
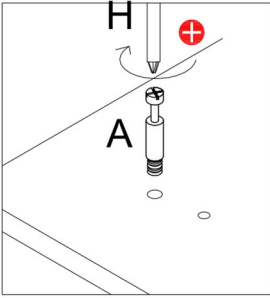


9

	
Cx4	Bx4

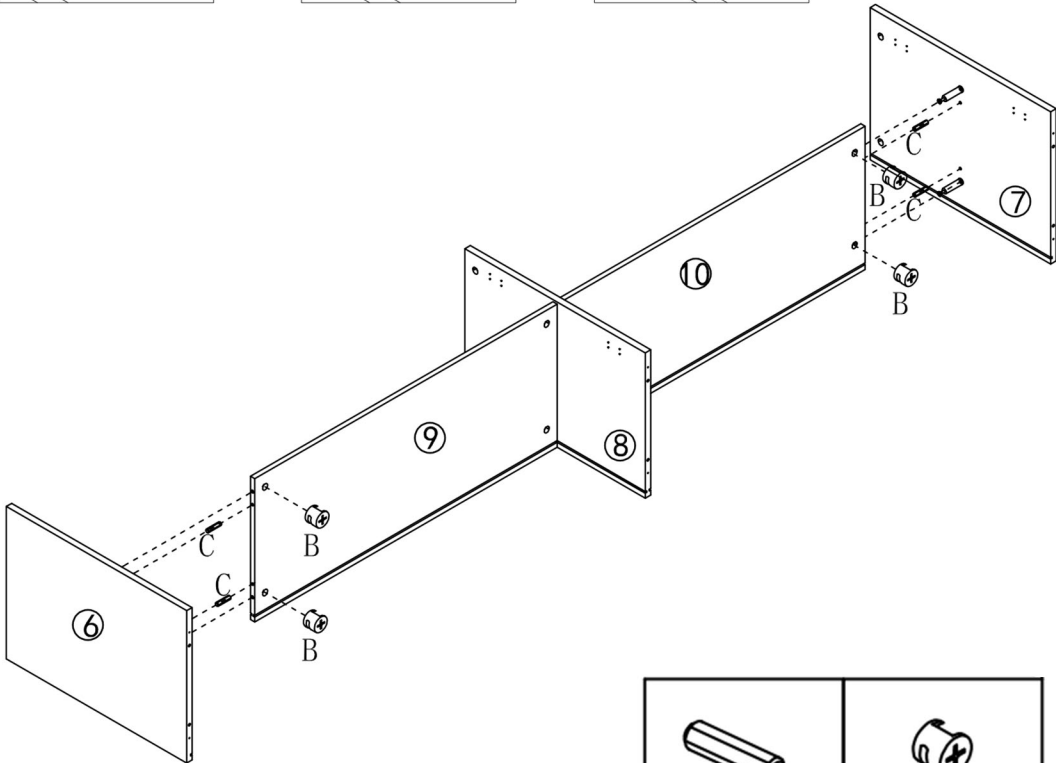
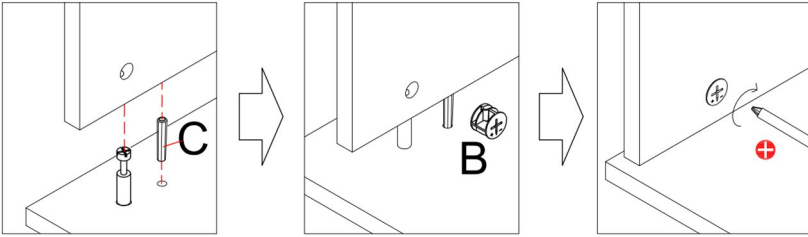
step 3 ---Side Panel Prep

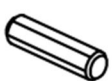

Screw the cam bolts (A) into the inner side of side panels (6) and (7).



step 4 ---Side Panel Assembly

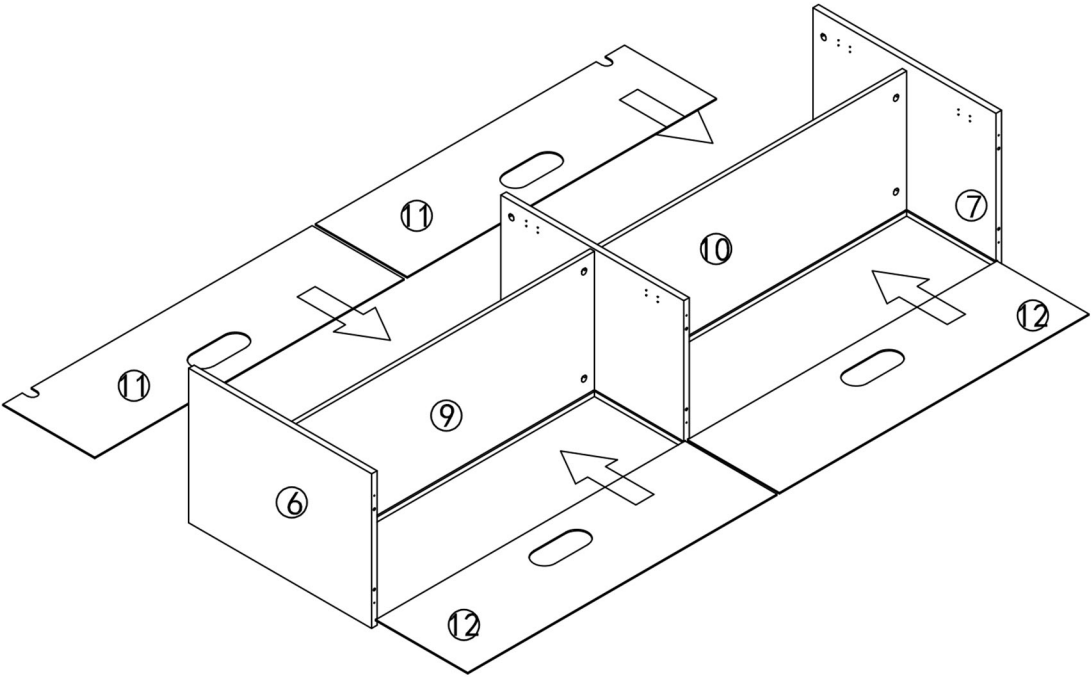
Attach side panels (6) and (7) to the internal structure using wood dowels (C) and cam locks (B).



	
Cx4	Bx4

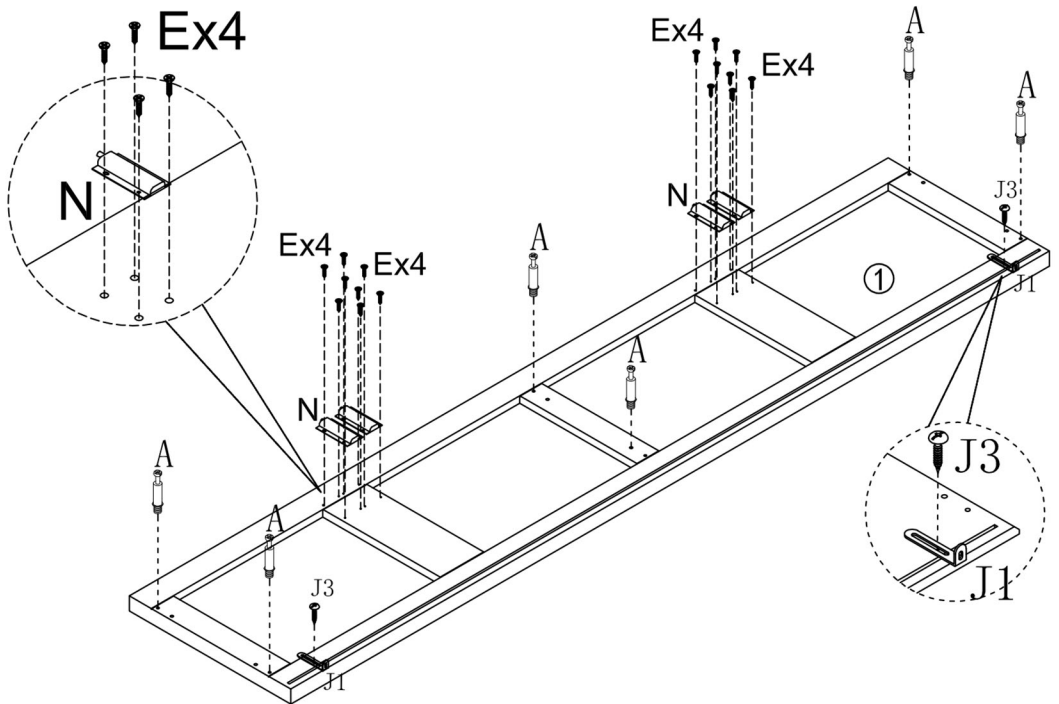
step 5 --- Insert Backing

Slide the back panels (11) and (12) into the grooves of the side and center boards as shown.



step 6 --- Top Board Prep (1)

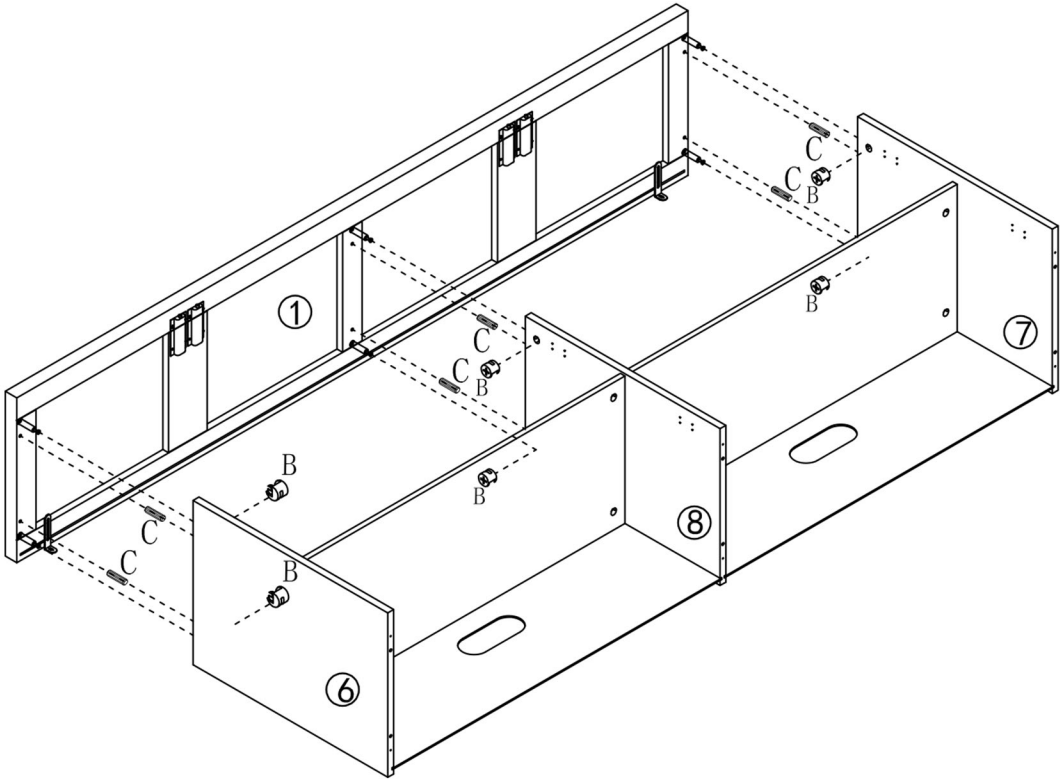
Screw cam bolts (A) into the top board (1). Attach anti-tip brackets (J1) using screws (J3) and magnetic catches (N) using screws (E).

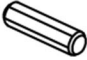



A X 6	J3 X 2	J1 X 2	N X 4	E X 16

step 7 --- Install Top Board (1)

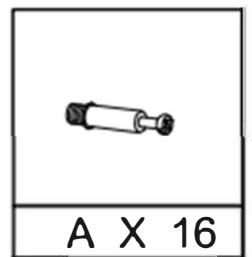
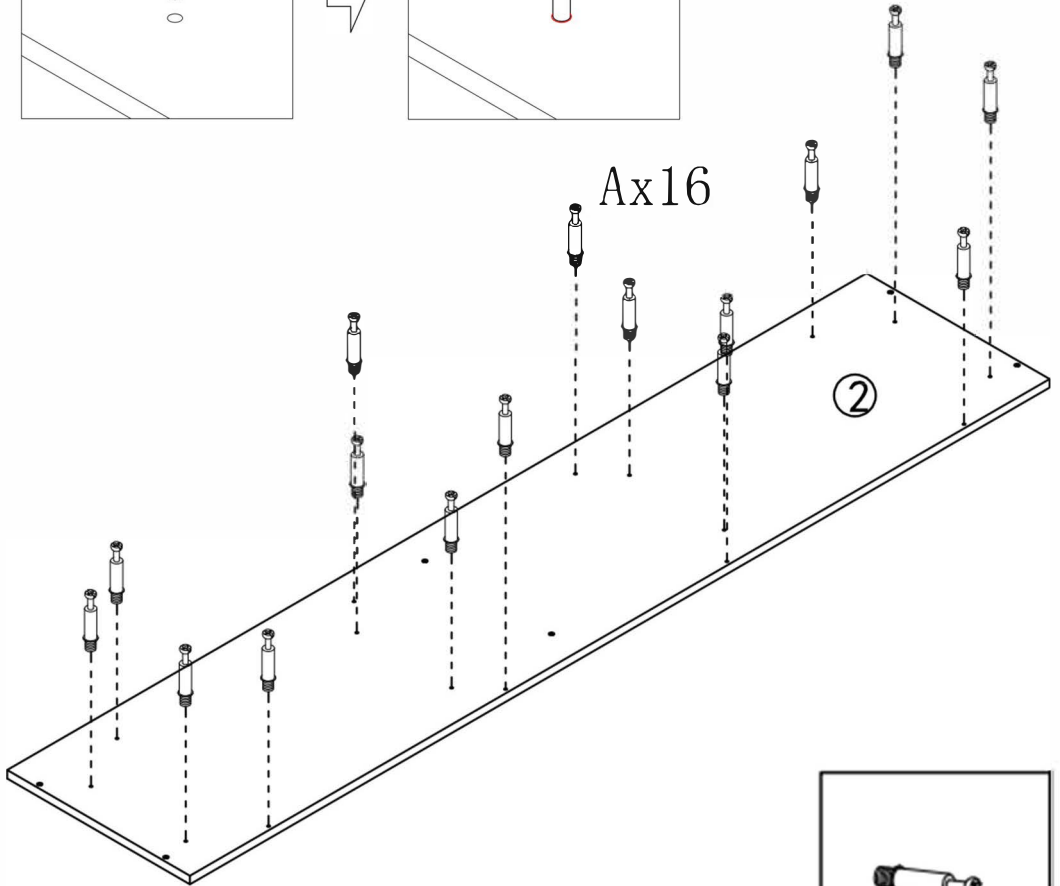
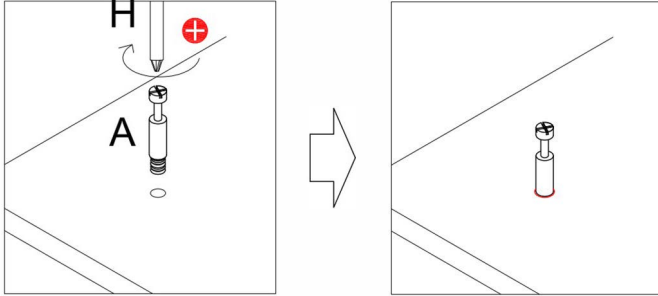
Place the top board (1) onto the cabinet frame and secure it using wood dowels (C) and cam locks (B).



	
Cx6	Bx6

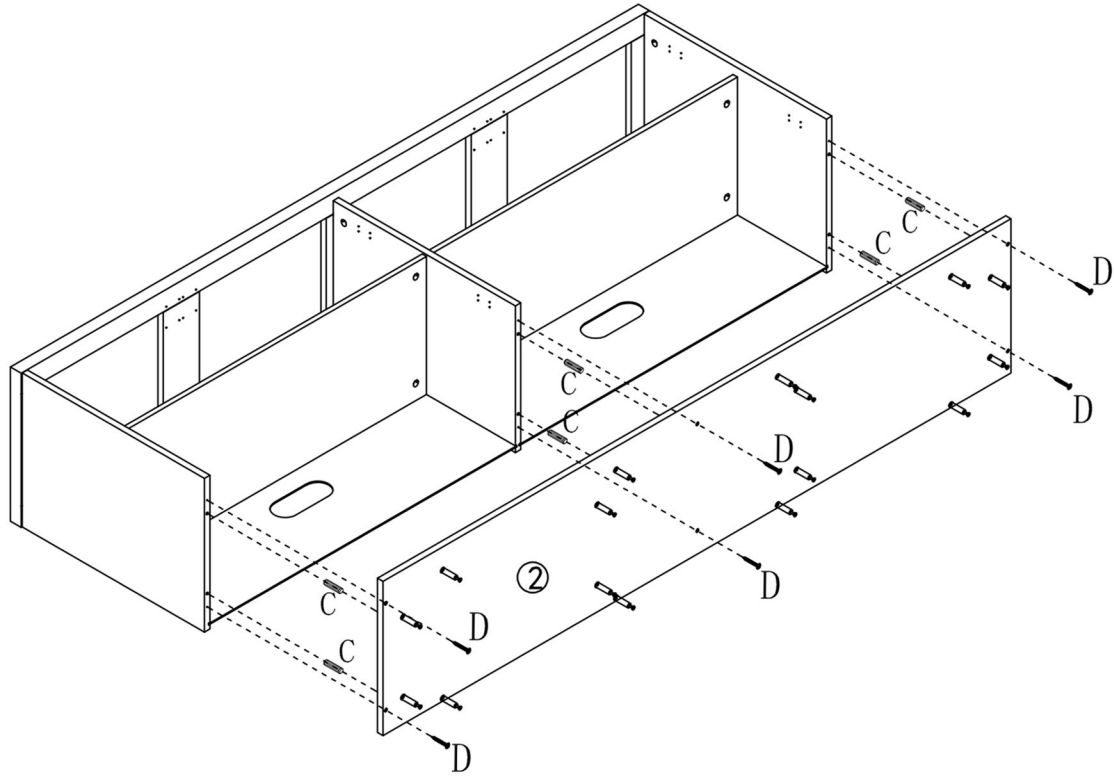
step 8 ---Bottom Board Prep


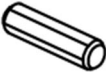
Screw 16 cam bolts (A) into the bottom board (2).



step 9 ---Attach Bottom Board

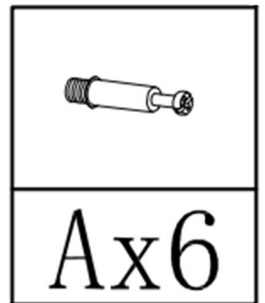
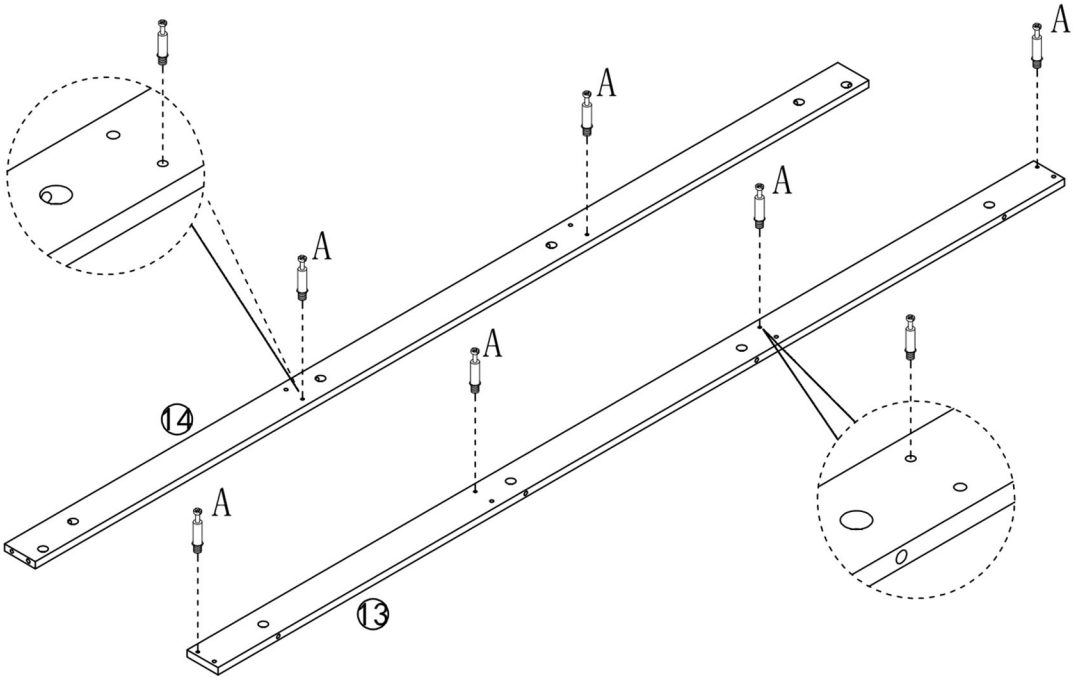
Secure the bottom board (2) to the vertical panels using wood dowels (C) and screws (D).



	
Dx6	Cx6

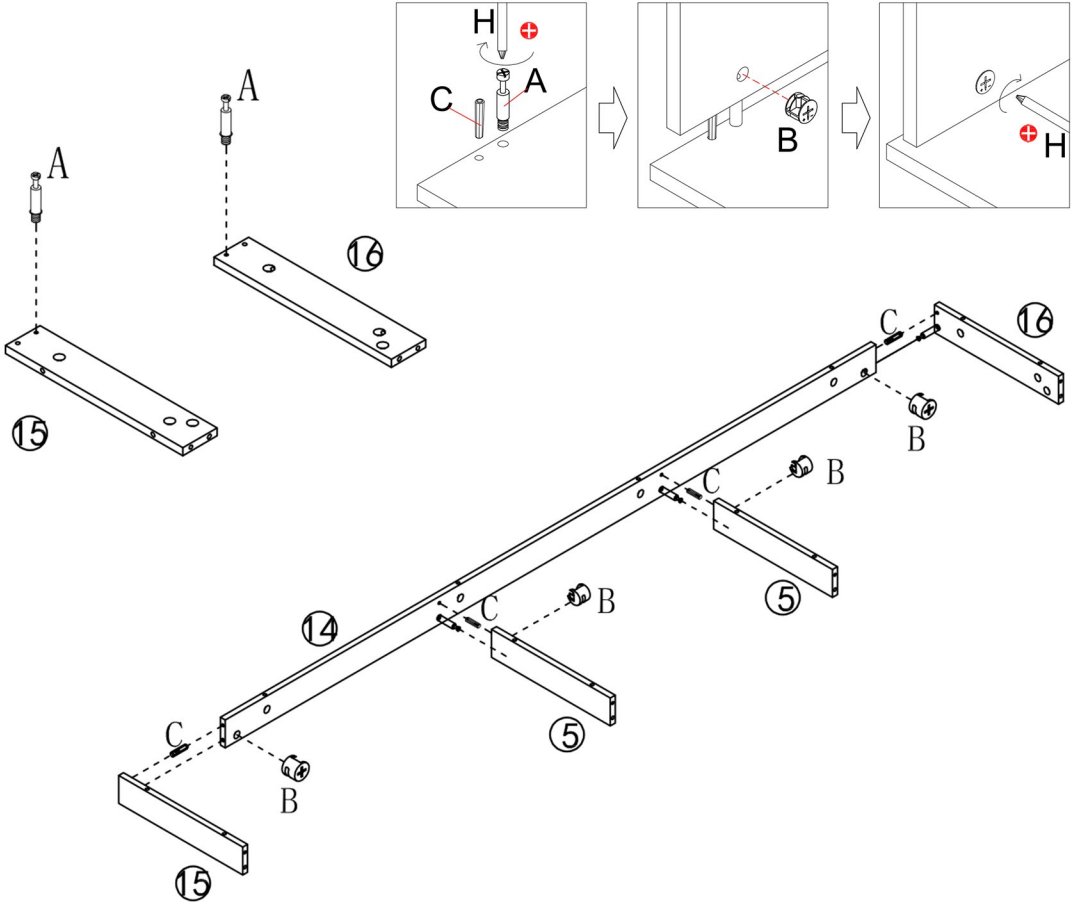
step 10 ---Base Rail Prep

Screw cam bolts (A) into the base rails (13) and (14).



step 11

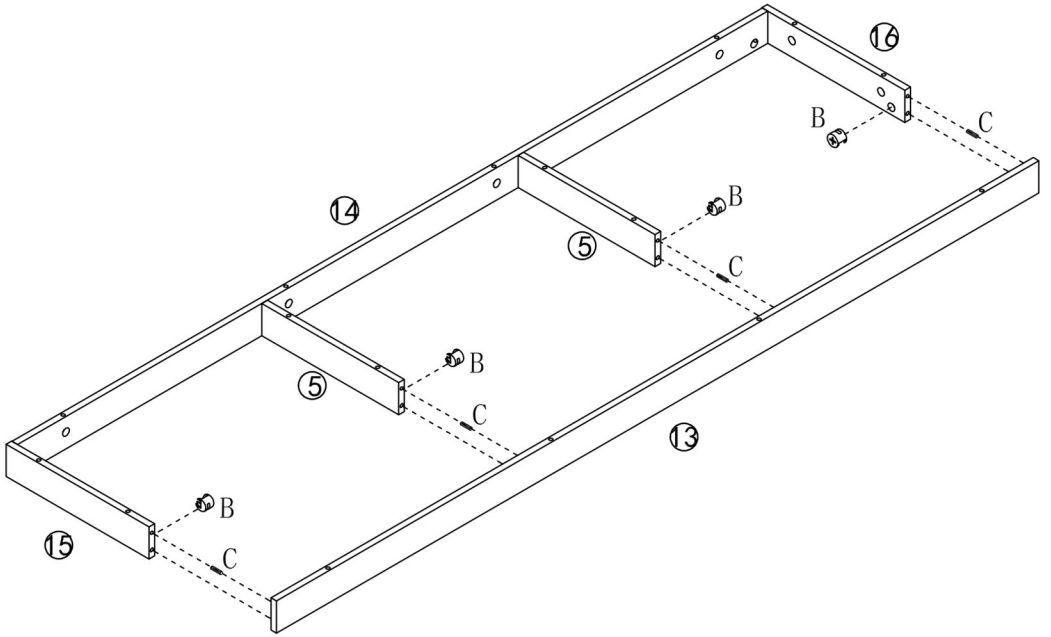
Connect the support blocks (5, 15, 16) to the base rail (14) using wood dowels (C) and cam locks (B).

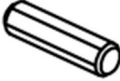



Ax2	Cx4	Bx4

step 12 ---Finish Base Frame

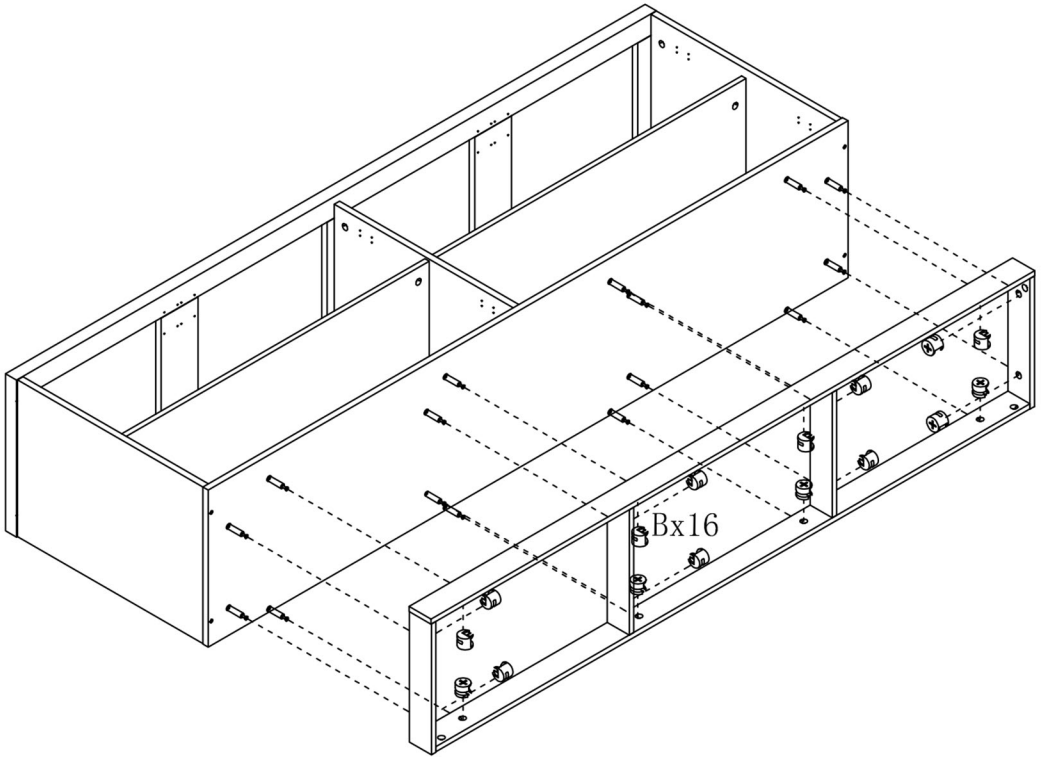
Attach the other base rail (13) to the support blocks using wood dowels (C) and cam locks (B).



	
Cx4	Bx4

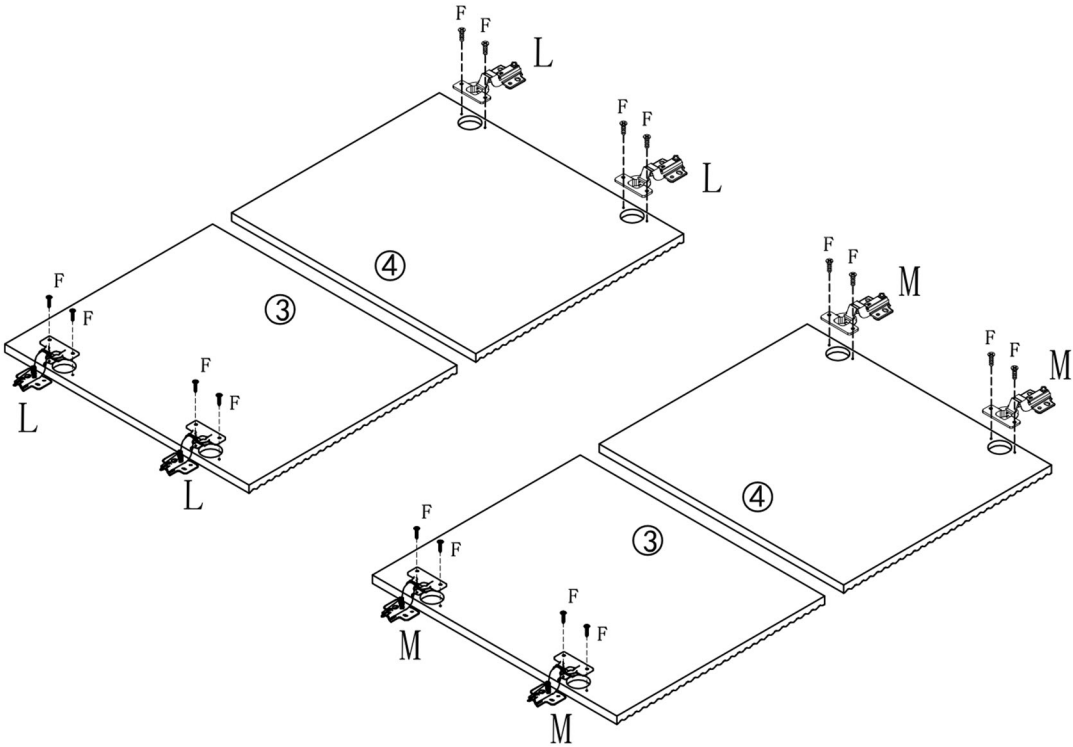
step 13 ---Install Base




Mount the assembled base frame onto the bottom board (2) and tighten it with cam locks (B).



step 14 ---Prepare Doors

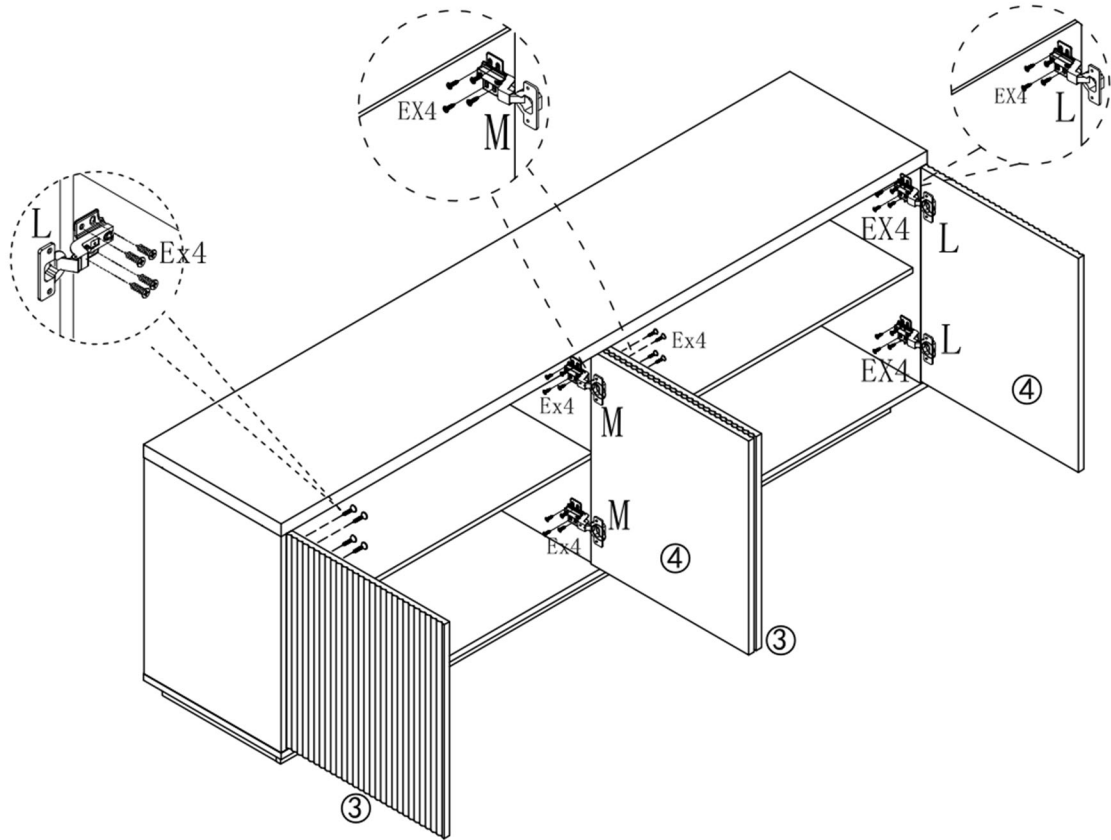
Attach hinges (L and M) to the doors (3 and 4) using screws (F).



		
Lx4	Mx4	Fx16

step 15 --- Hang Doors

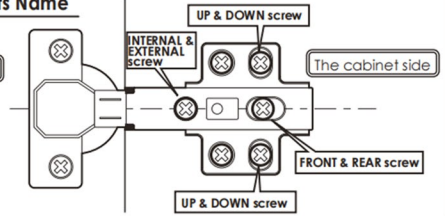
Mount the doors to the cabinet. Note: Install the adjustment screws first to position the door, then install the fixing screws (E).



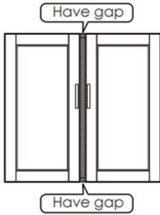
The ways to adjust the door

- Before adjusting the hinge, please check whether the cabinet is skewed.
- If the skew can not be repaired, please remove the anti-tipping device first, then adjust the cabinet to vertical position.
- Please adjust the hinge with the door open.
- Please operate it with more than 2 people, one person holds the door and the other one adjusts the screw.

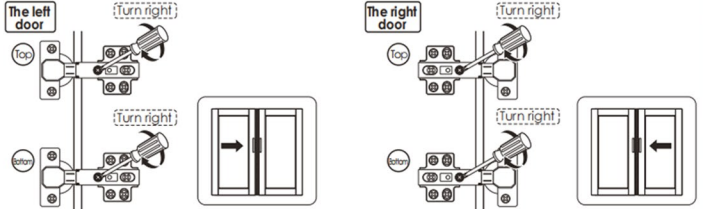
Components Name



Obvious gaps between doors or Doors don't look closed



- 1 Turn "internal & external screw" to the right can make the door approach inside. Please adjust the doors little by little.

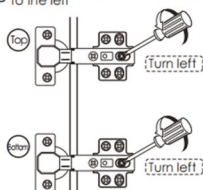


※ If the 2 doors are overlap, please turn the "Internal & external screw" to the left.

When door is crooked

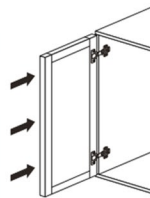


- 1 Rotate the "front and rear screws" to the left

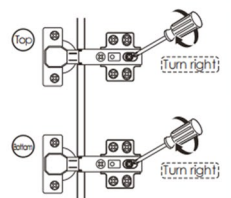


※ After adjusting the "front and rear screw", the door still does not change, please turn the "internal & external screw" to the right slightly.

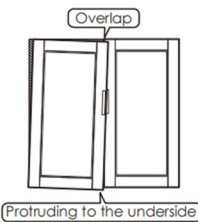
- 2 Push the door to the cabinet



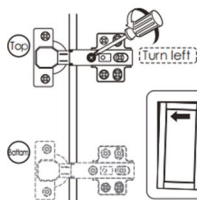
- 3 Rotate the "front and rear screws" to the right



When door is leaning



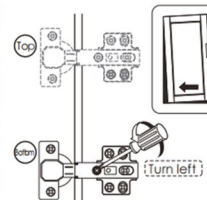
- 1 Turn "internal & external screw" to the left can make the top of the door fitted outward.



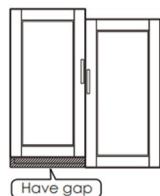
Protruding to the upside



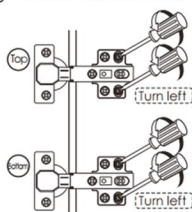
- 1 Turn "internal & external screw" to the left can make the bottom of the door fitted outward.



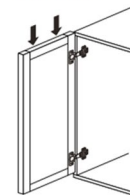
When the door is higher on top



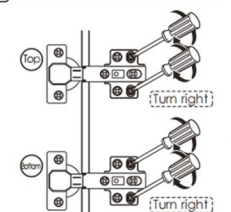
- 1 Turn "up & down screw" to the left



- 2 Lower the door's height so that 2 doors are of the same height.



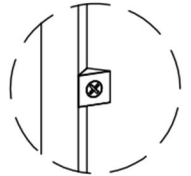
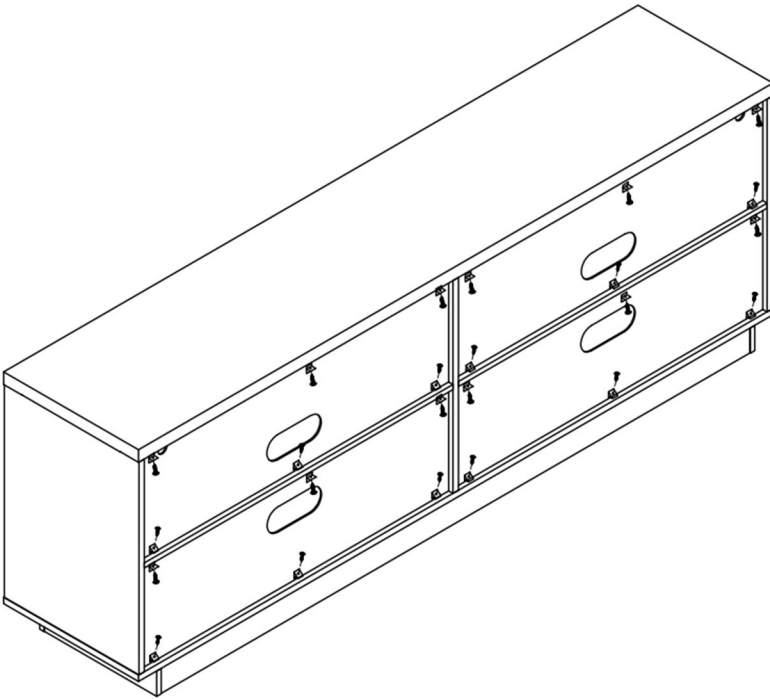
- 3 Turn "up & down screw" to the right



※ If the door is lower on bottom, please lift up the left door slightly on step 2

step 16 ---Secure Backing

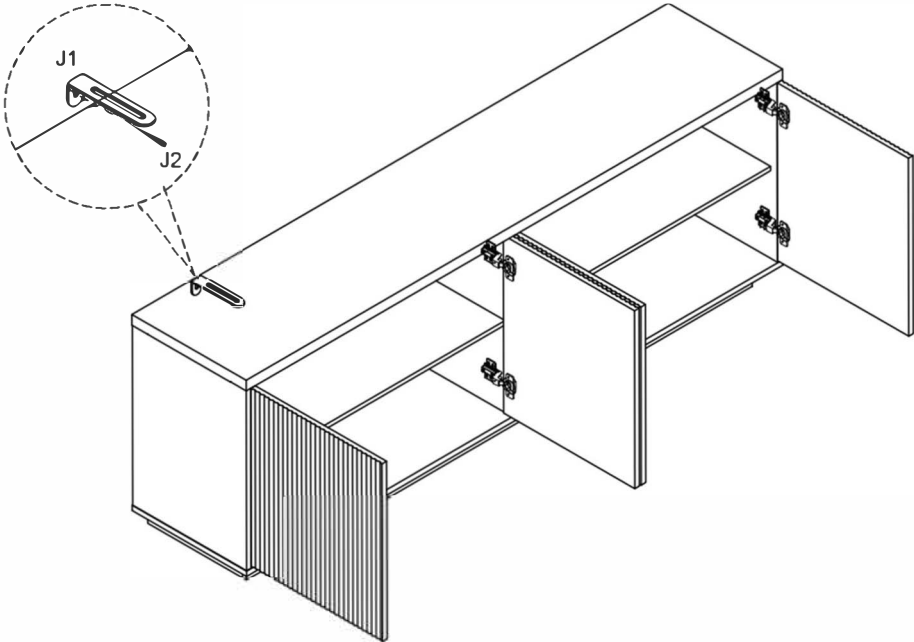
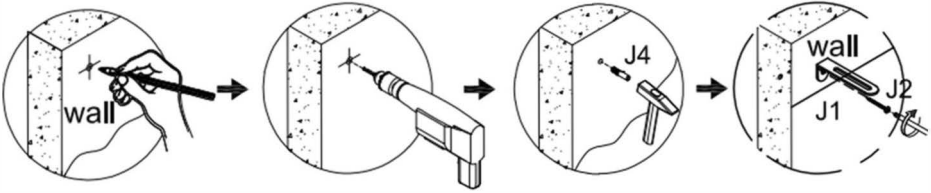
Attach the back panel clips (G) around the edges of the back panels using screws (F).





Gx24	Fx24

step 17 ---Wall Security

For safety, drill holes in the wall, insert anchors (J4), and secure the anti-tip brackets (J1) with screws (J2).



	
J4x2	J2x2

Step 18 ---Assemble complete

Congratulations! You have finished the assembly, thank you again for choosing our product! Please enjoy!

