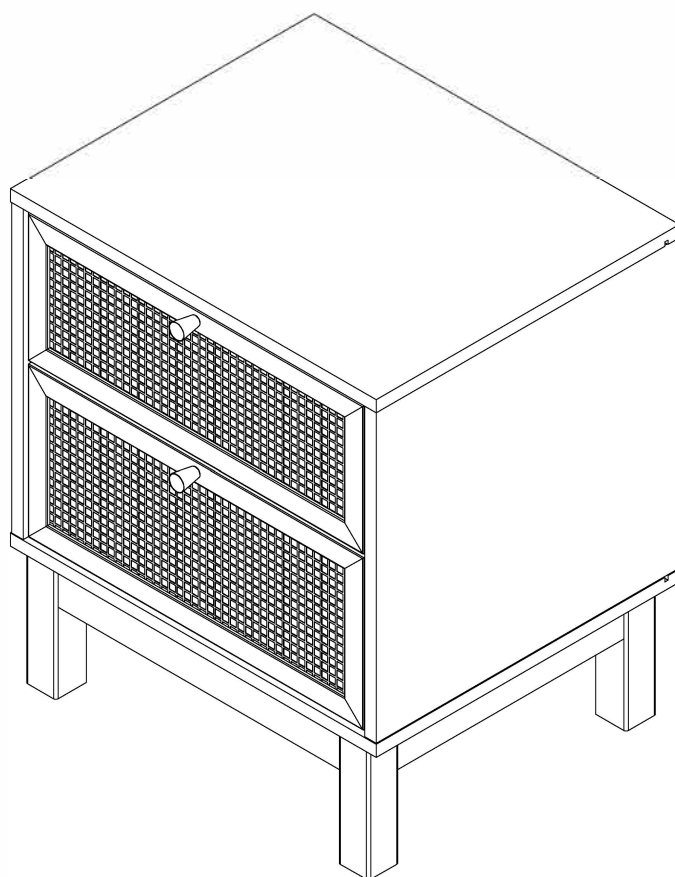



2 DRAWER SIDE TABLE



Dimensions	No. people	Assembly Time
Width: 48.00cm Depth: 39.80cm Height: 55.60cm		45 Mins (approx.)



Important - Please read these instructions fully before starting assembly

Safety and Care Advice

Important - Please read these instructions fully before starting assembly

- Check you have all the components and tools listed on next pages.
- Remove all fittings from the plastic bags and separate them into groups.
- Keep children and animals away from the work area, small parts could choke if swallowed.
- Make sure you have enough space to lay out the parts before starting.
- Do not stand or put weight on the product, this could cause damage.
- Assemble the item as close to its final position (in the same room) as possible.
- Assemble on a soft, level surface to avoid damaging the unit or your floor.
- We do not recommend the use of power drill/drivers for inserting screws, as this could damage the unit. Only use hand screwdrivers.



- Dispose of all packaging carefully and responsibly.
- Warning : Do not over tighten the handle screw that way break the mirror.

Care and Maintenance

- Please clean using cloth with glass cleaner, do not use bleach or abrasive cleaners.
- From time to time check that there are no loose screws on this unit.
- This product should not be discarded with household waste. Take to your local authority waste disposal centre.

• Assemble all parts and bolts loosely during assembly, only once the product is complete should you fully tighten the bolts

• Regularly check and ensure That all bolts and fittings are tightened properly.

WARNING

In order to help prevent overturning- please follow these instructions

To help prevent product toppling over please follow the below steps:-

Use the anti tip stap or wall fixing method provided (if applicable)

Do not allow children to climb or hang on the furniture

Do not open more than one drawer at a time

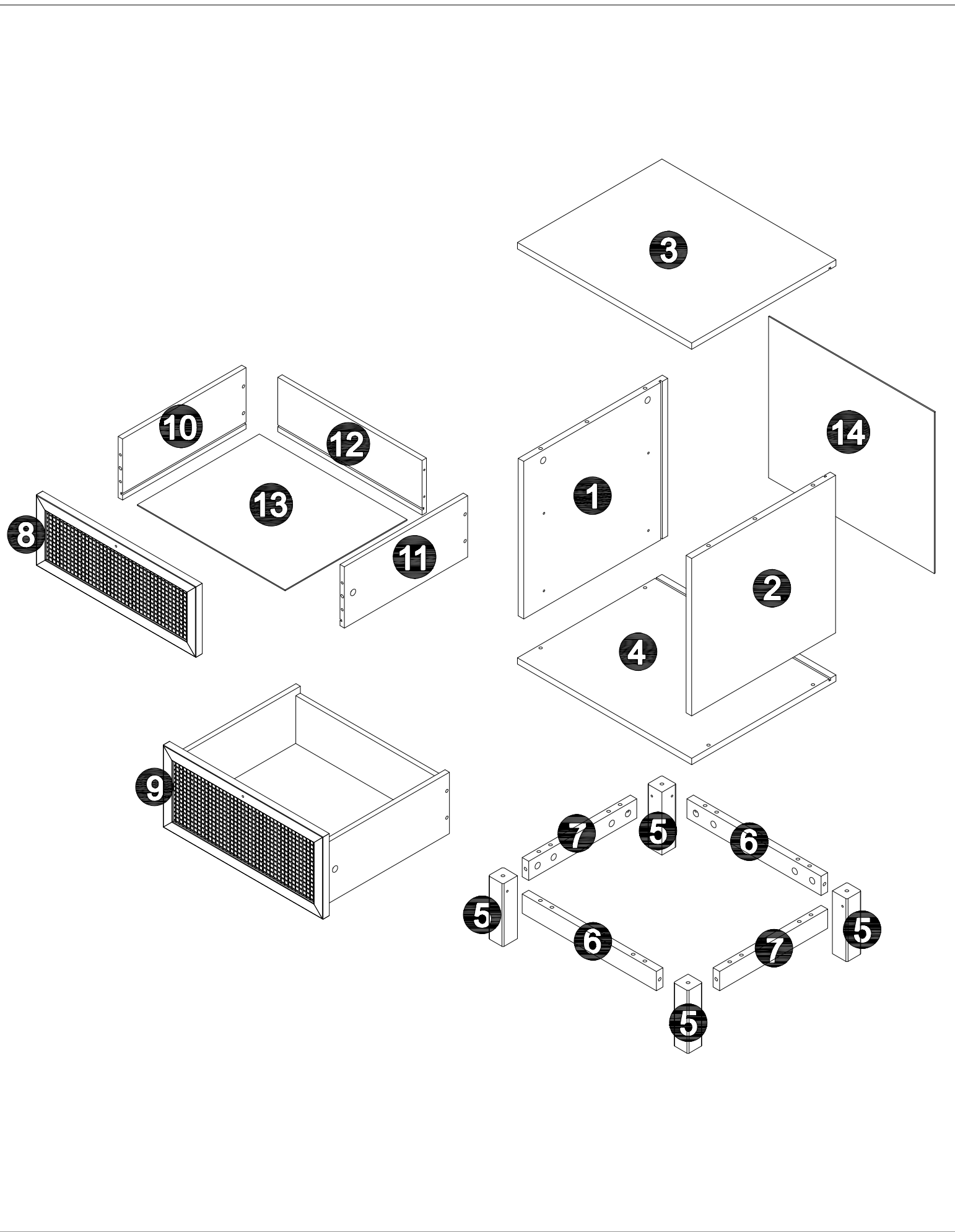
Do not place heavy items in the top drawers

Do not place heavy items on top of the furniture, unless the furniture has been designed for this purpose

please note that only the anti tip strap is provided.

You will need to provide wall plugs and screws applicable for your wall type

Exploded View



Components - Panels

Please check that you have all the components listed below before constructing your items.




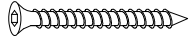


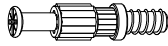
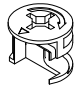
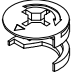

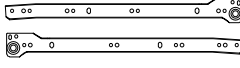

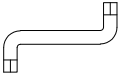
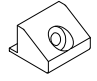
Part No	Description	Qty
1	Side Panel (Left)	1
2	Side Panel (Right)	1
3	Top Panel	1
4	Bottom Panel	1
5	Wooden Leg	4
6	Bottom Rail Panel (Front/Back)	2
7	Bottom Rail Panel (Right/Left)	2
8	Drawer Front Top	1
9	Drawer Front Bottom	1
10	Drawer Side (Left)	2
11	Drawer Side (Right)	2
12	Drawer Back	2
13	Drawer Bottom	2
14	Back Panel	1

Components - Fixings

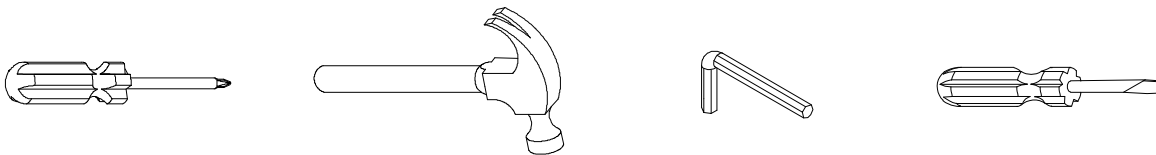
Please check that you have all the components listed below before constructing your items.

Note: The quantities below are the correct amount to complete the assembly. In some cases more fittings may be supplied than are required.

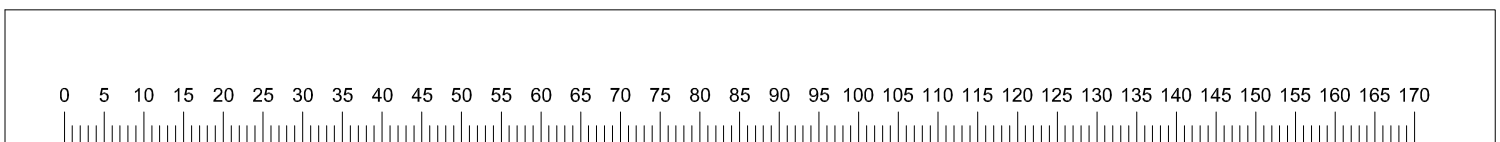
***Hardware packed separately according to the code.**

(A)	CSK M3.5 X 12MM	(B)	CSK M3.5 X 15MM	(C)	EURO SCREW M6 X 9MM	(D)	JCBC(W) M6 X 40MM
							
	8 unit		4 unit		8 unit		12 unit
(E)	WOOD DOWEL Ø6 X 20MM	(F)	WOOD DOWEL Ø8 X 25MM	(G)	BOLT DOWEL 20 X 5MM	(H)	CAM 15/15
							
	8 unit		14 unit		24 unit		20 unit
(J)	CAM 15/12	(K)	HANDLE MC4 X 25MM	(L1) & (L2)	DRAWER SLIDE (350MM)	(M1) & (M2)	DRAWER SLIDE (350MM)
							
	4 unit		2 sets		2 sets		2 sets
(N)	ALLEN KEY M4	(P)	BACKPLY STOPPER				
							
	1 unit		4 unit				

Tools Required

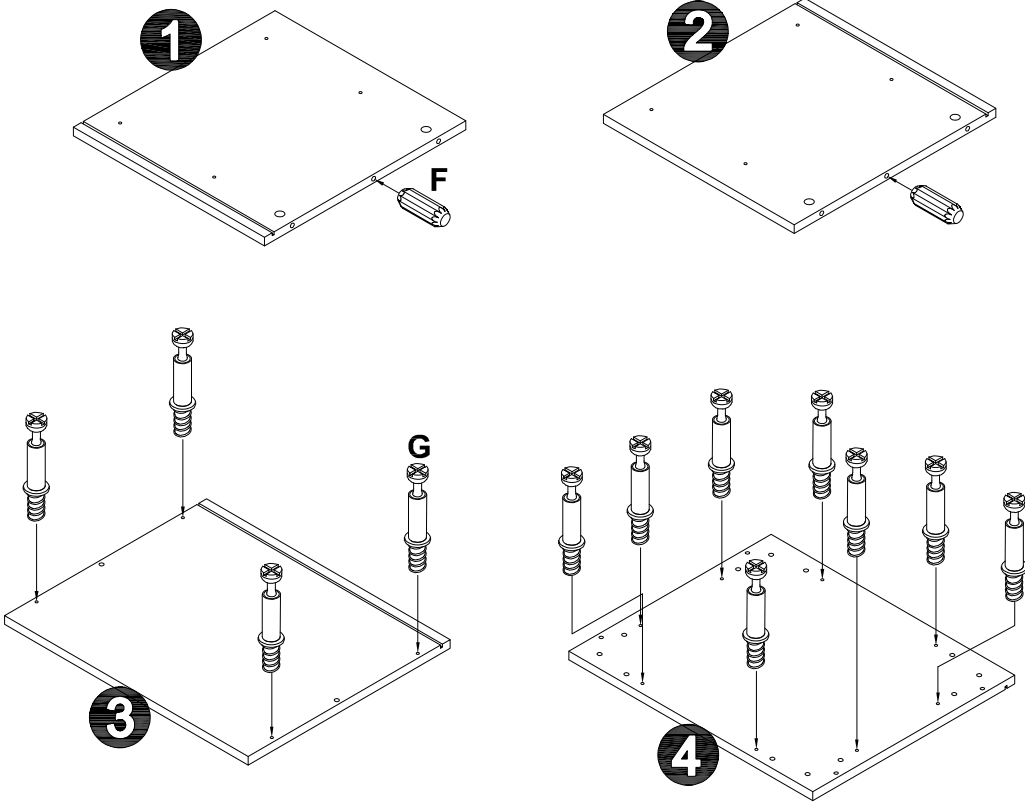



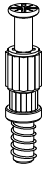
Ruler - Use this to measure your screws (mm)



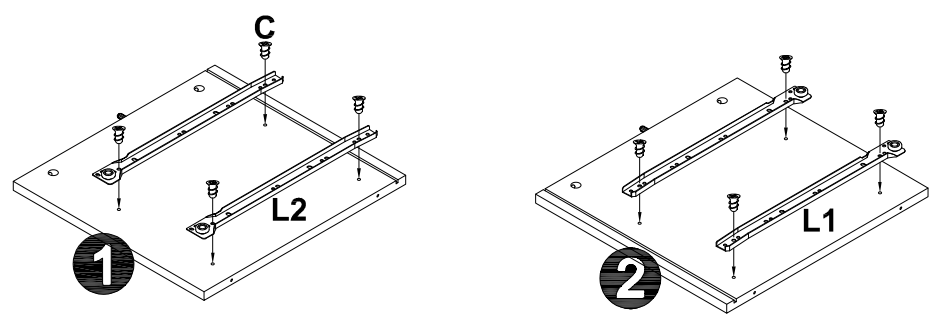
Assembly Instructions


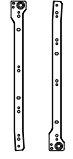
Step 1

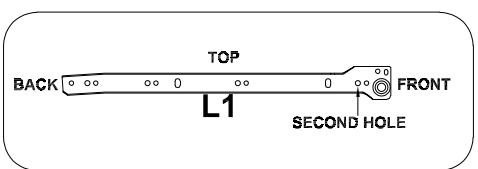
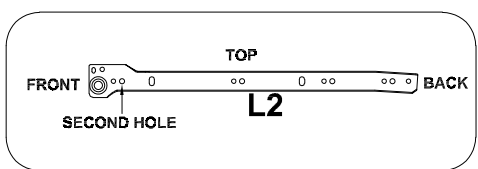
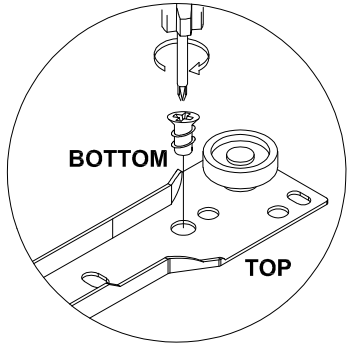


	
F X 2	G X 12

Step 2



	
C X 8	L1 & L2 X 2SETS

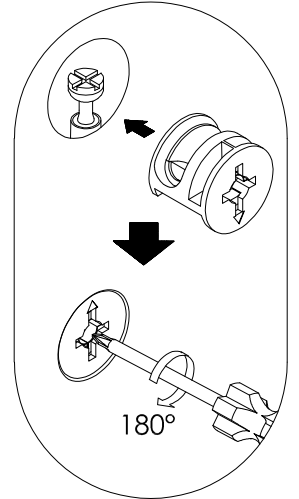
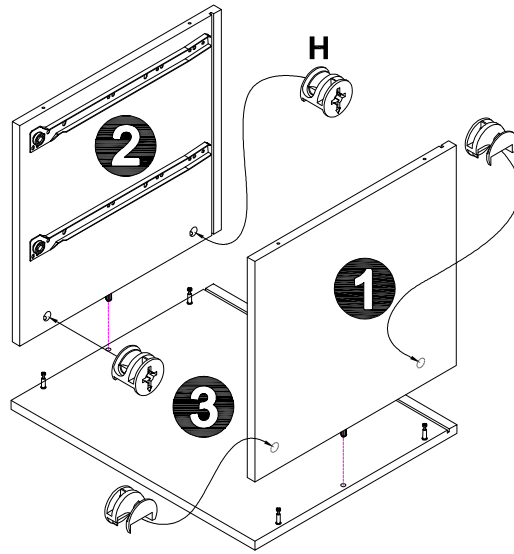


PLEASE ENSURE TO FIX THE SCREWS AS PER POINTED HOLES INSTRUCTION TO AVOID DISTORTION OF OVERALL LOOK OF PRODUCTS.

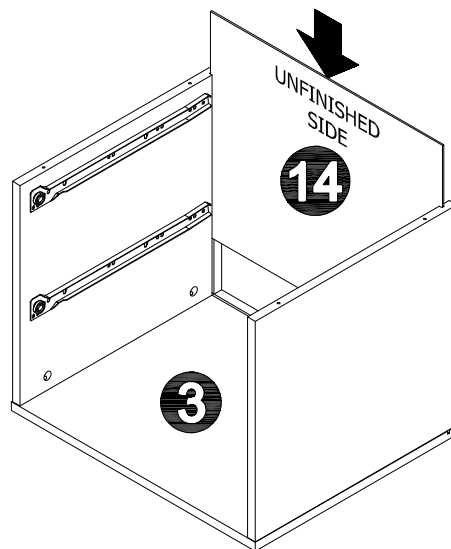
Step 3



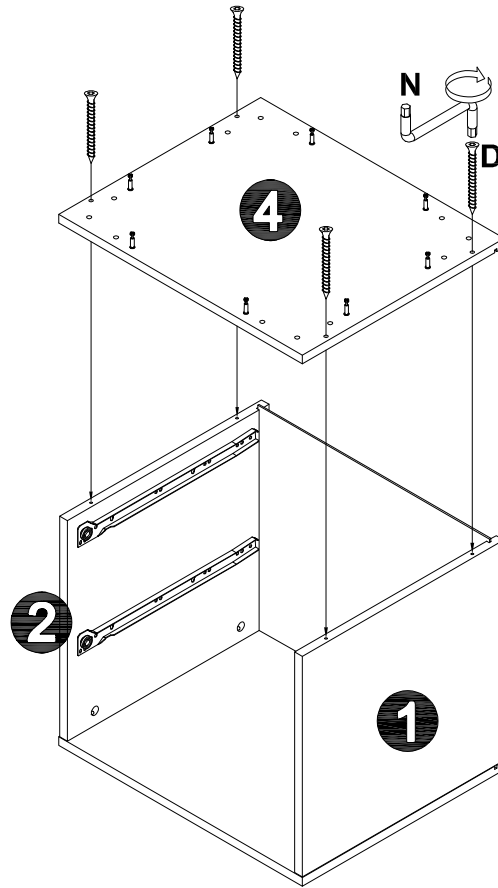
H X 4


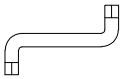


Step 4

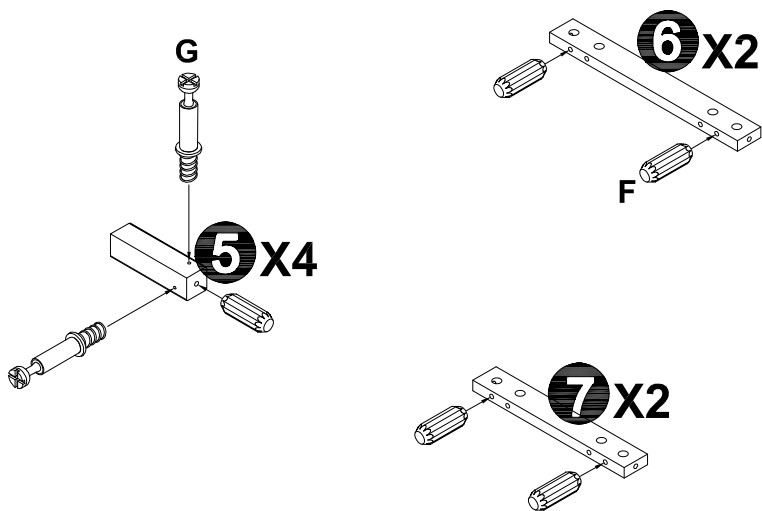



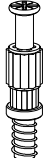
Step 5

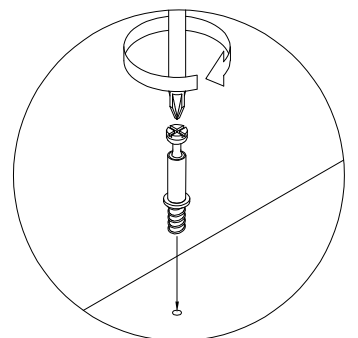
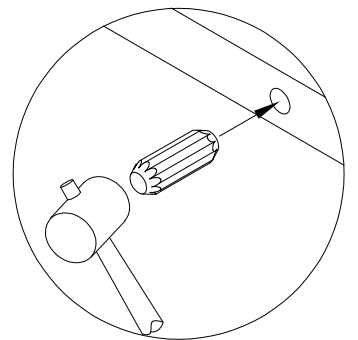


	
DX 4	N

Step 6



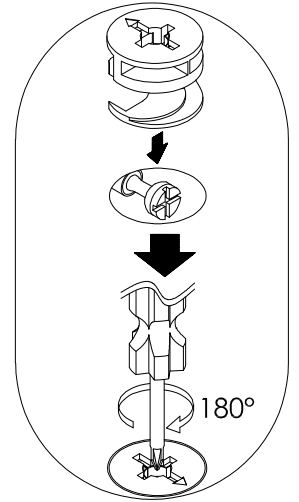
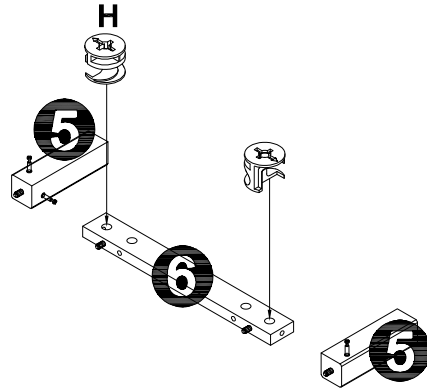
	
FX 12	GX 8



Step 7



H X 4

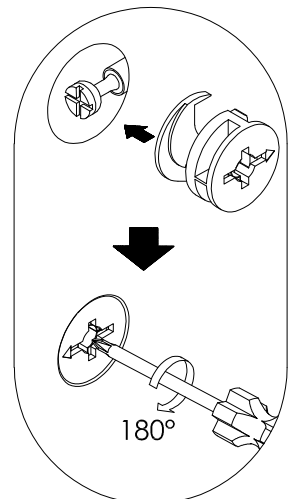
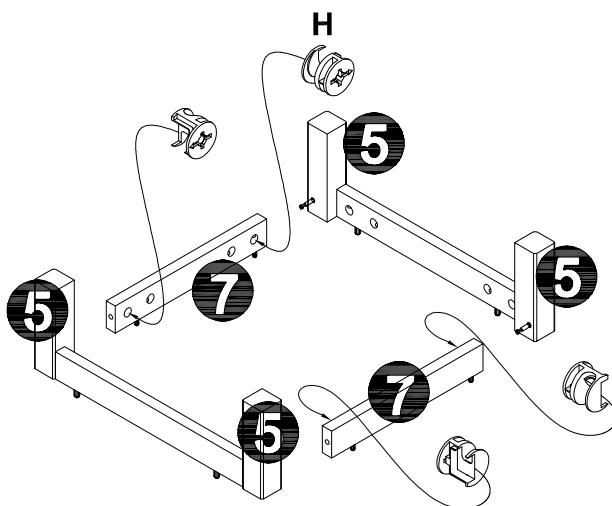


X2

Step 8



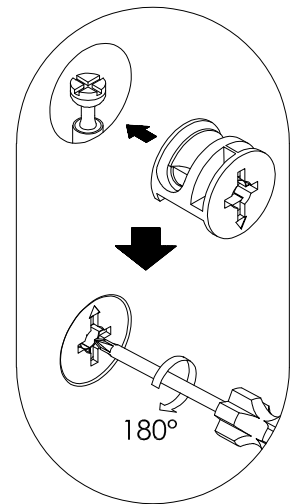
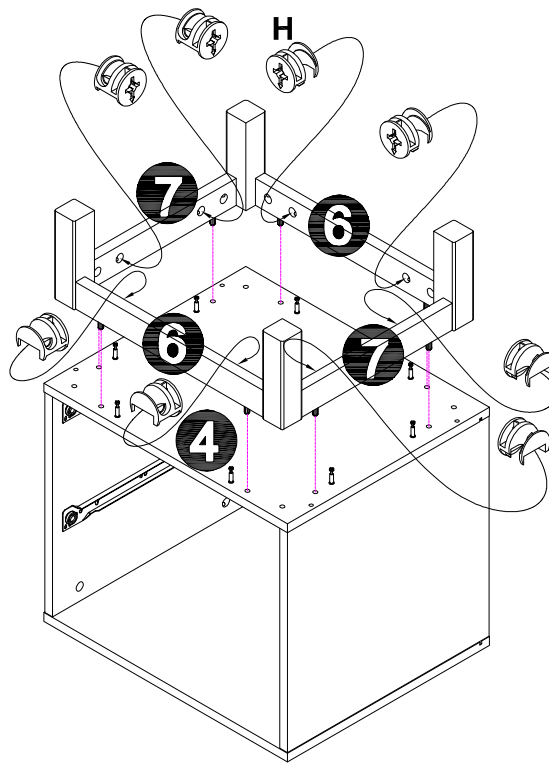
H X 4



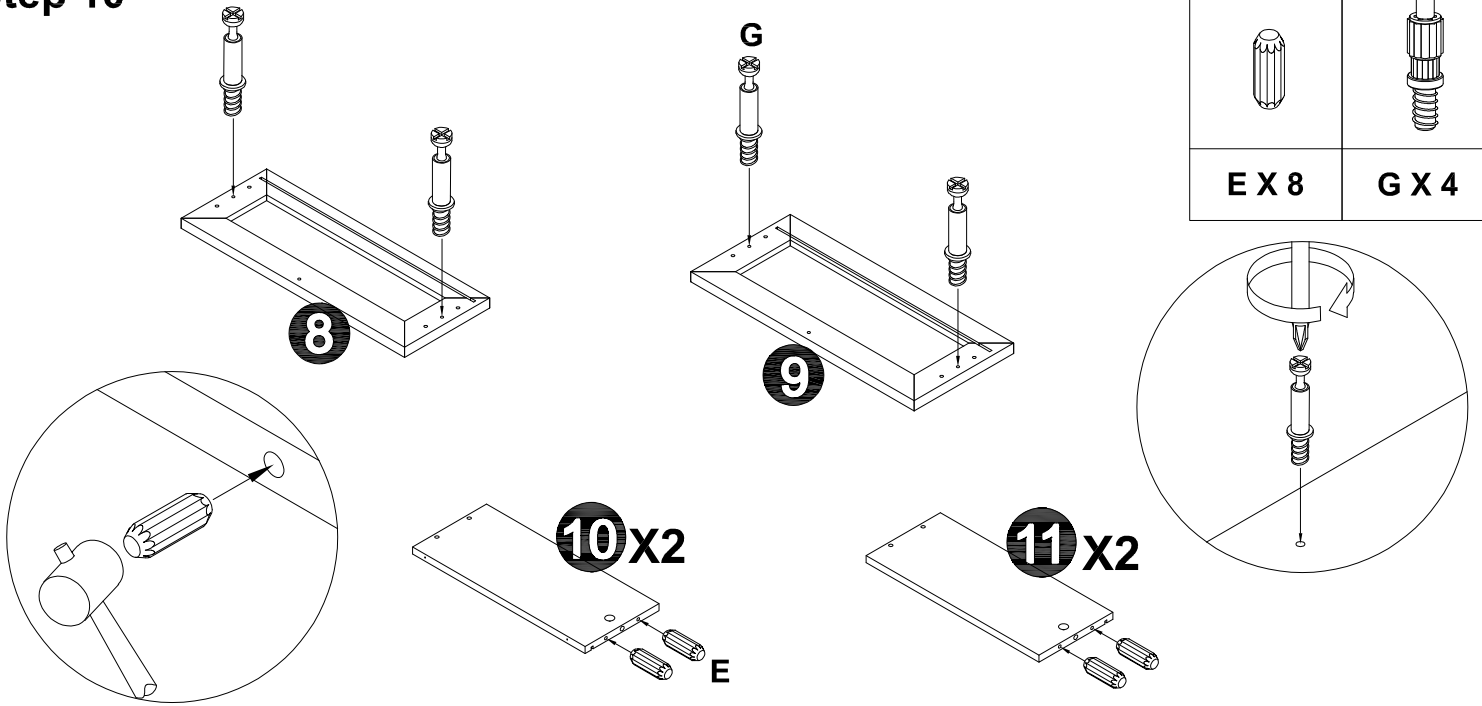
Step 9



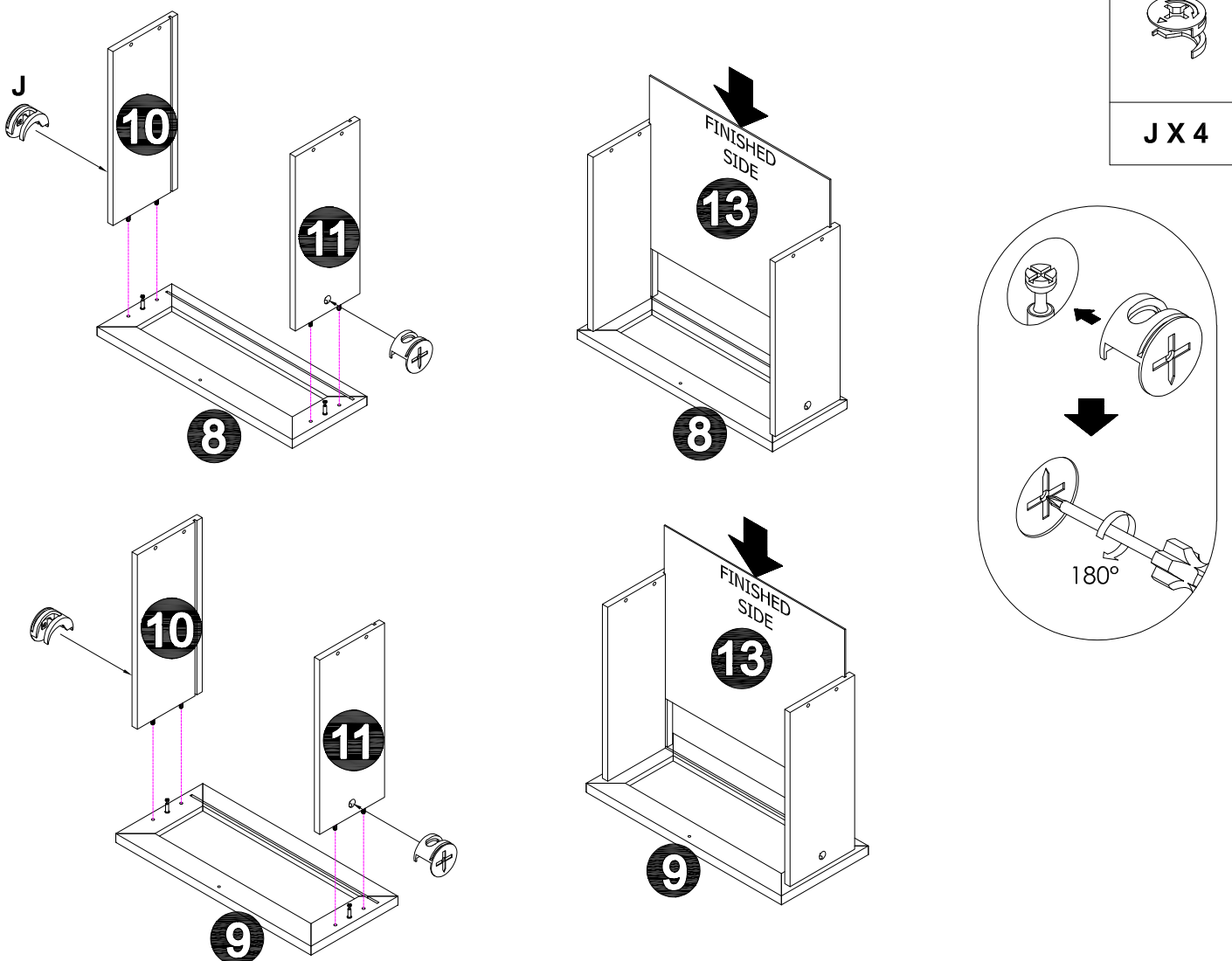
H X 8



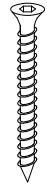
Step 10



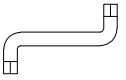
Step 11



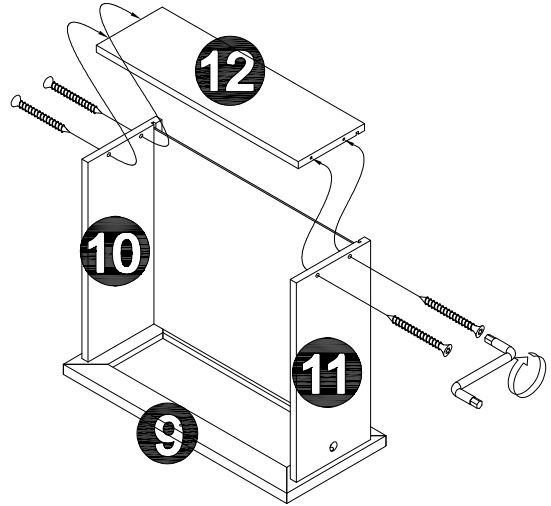
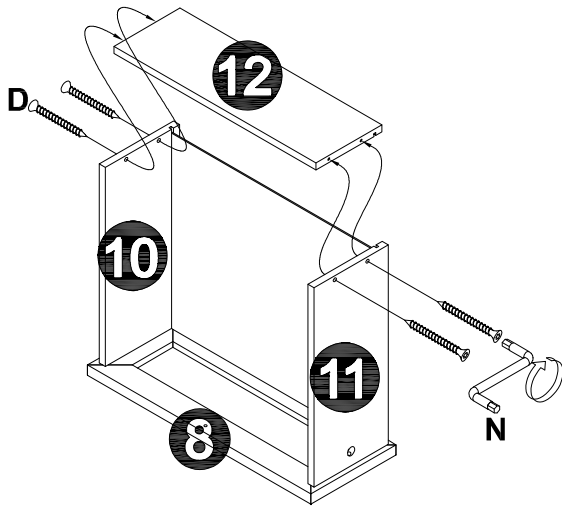
Step 12



D X 8



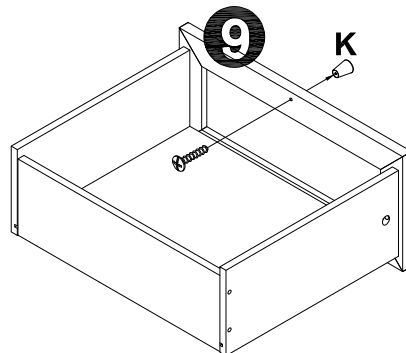
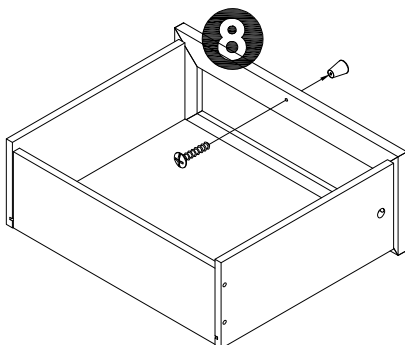
N



Step 13



K X 2 SETS

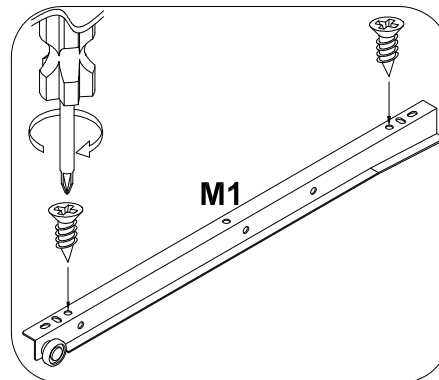
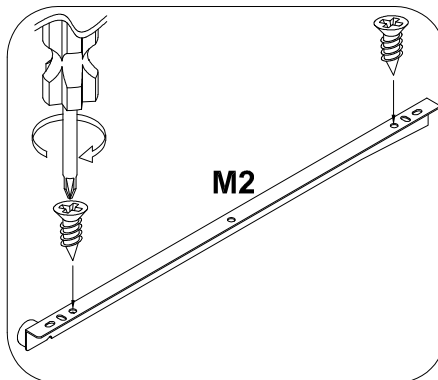
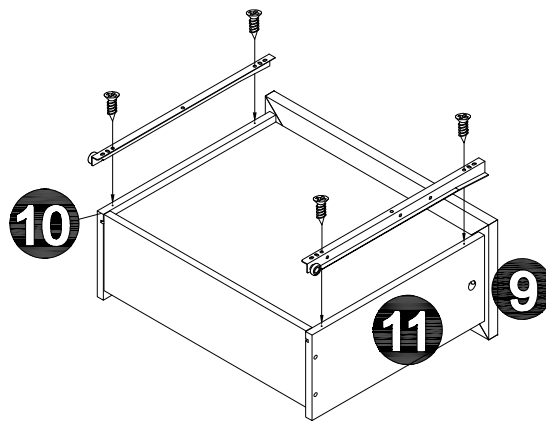
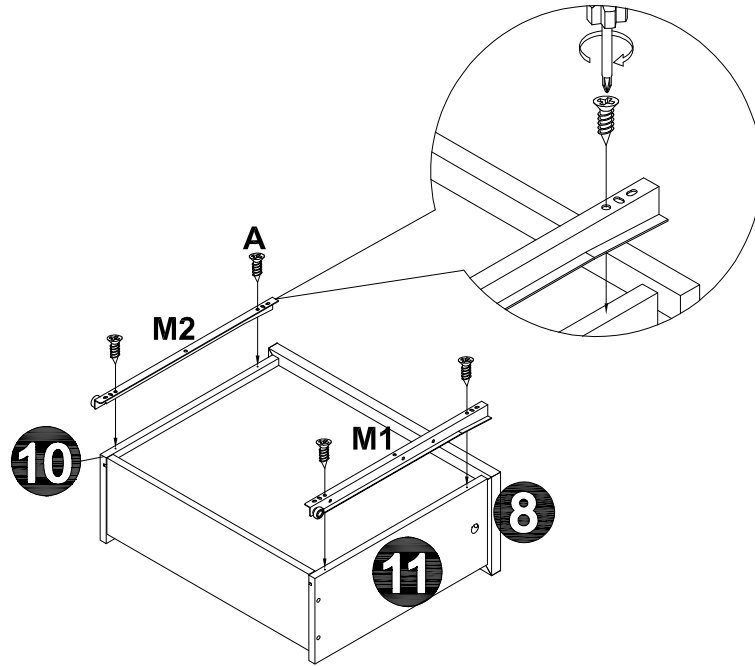


Step 14

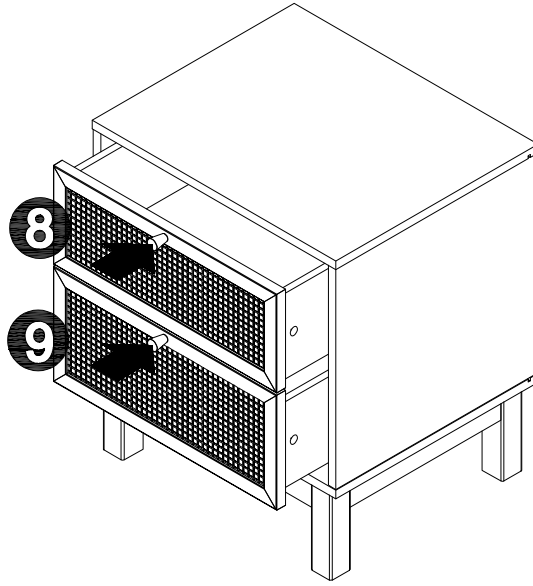


A X 8


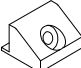
M1 & M2
X 2SETS

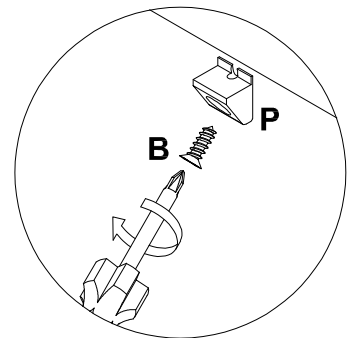
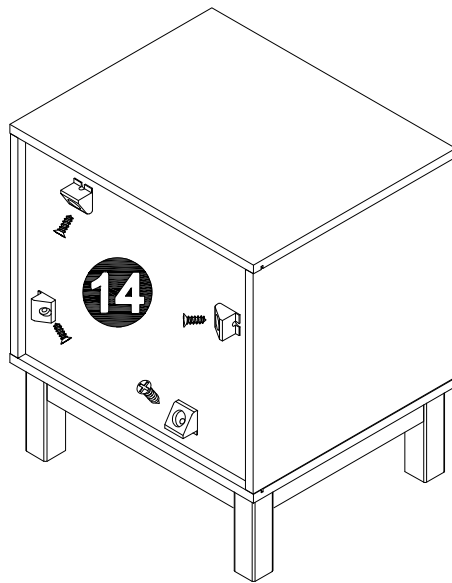


Step 15



Step 16

	
B X 4	P X 4



Step 17

WALL

