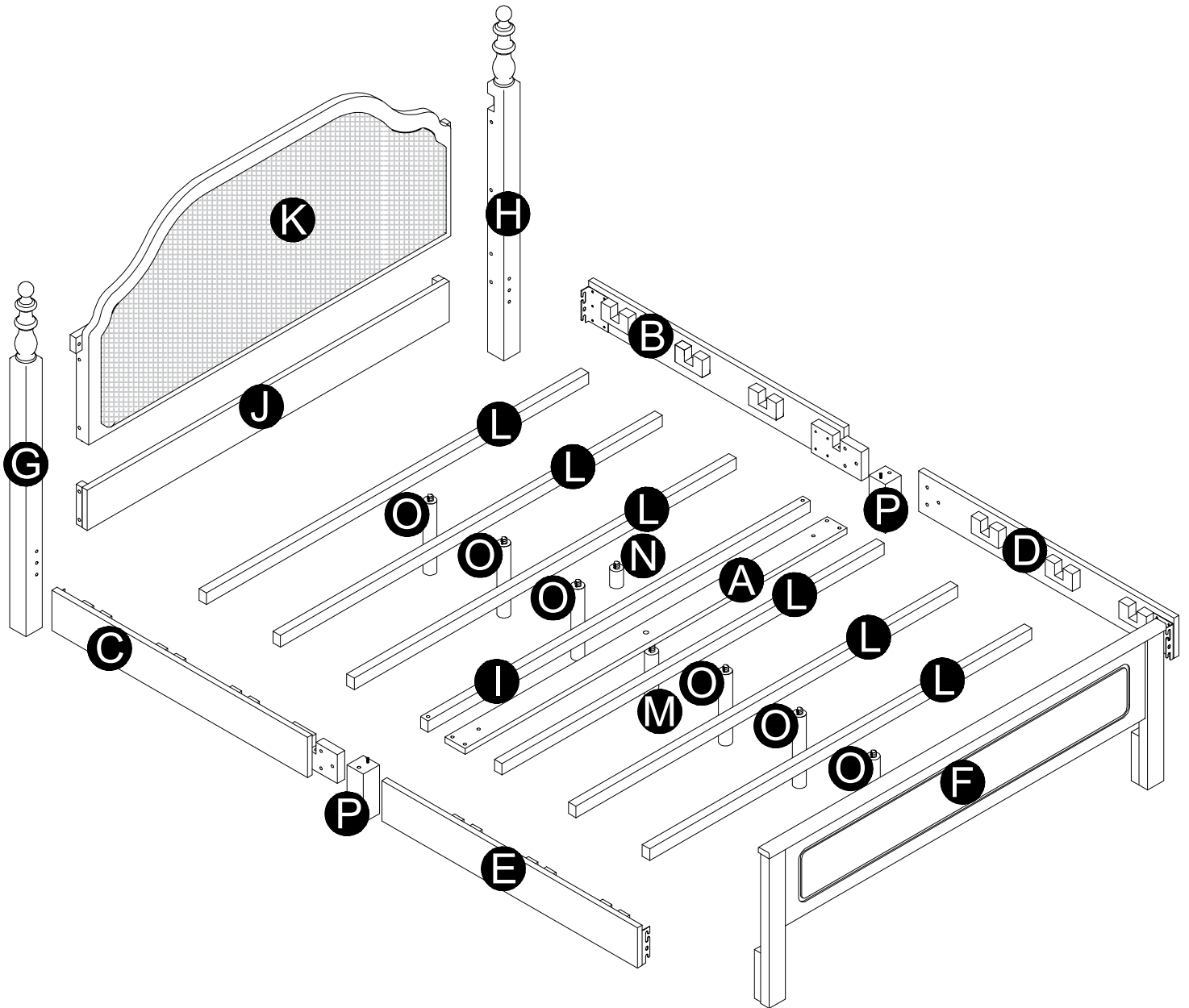


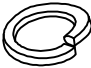

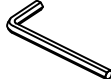


Assembly Explosion Diagram

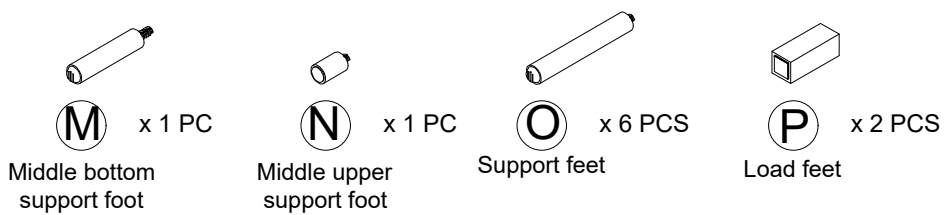
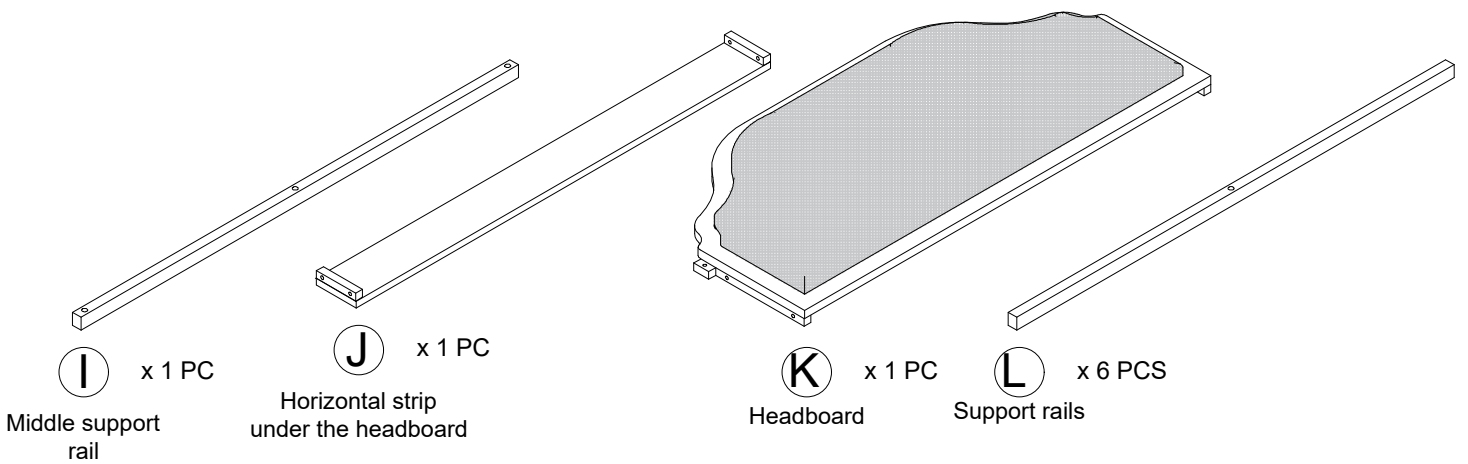
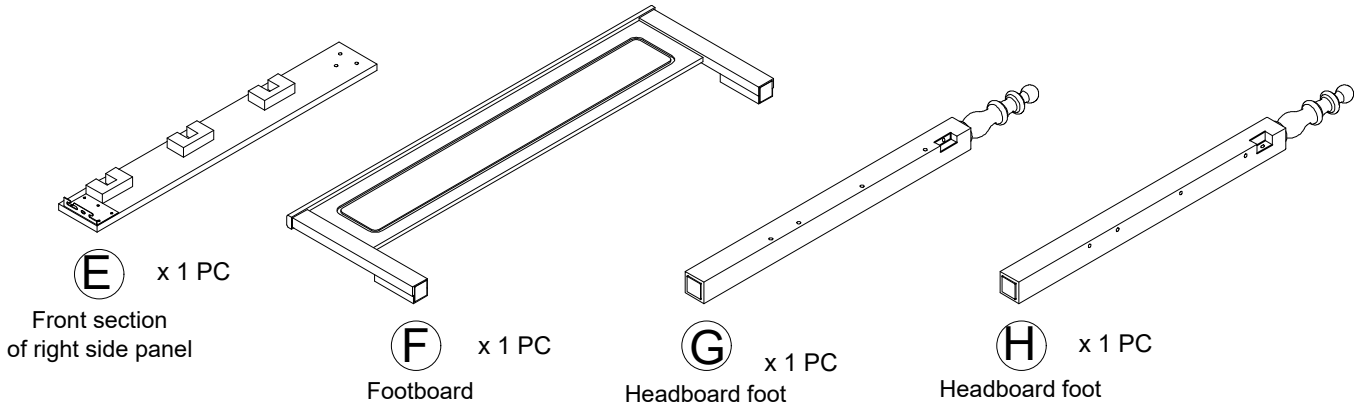
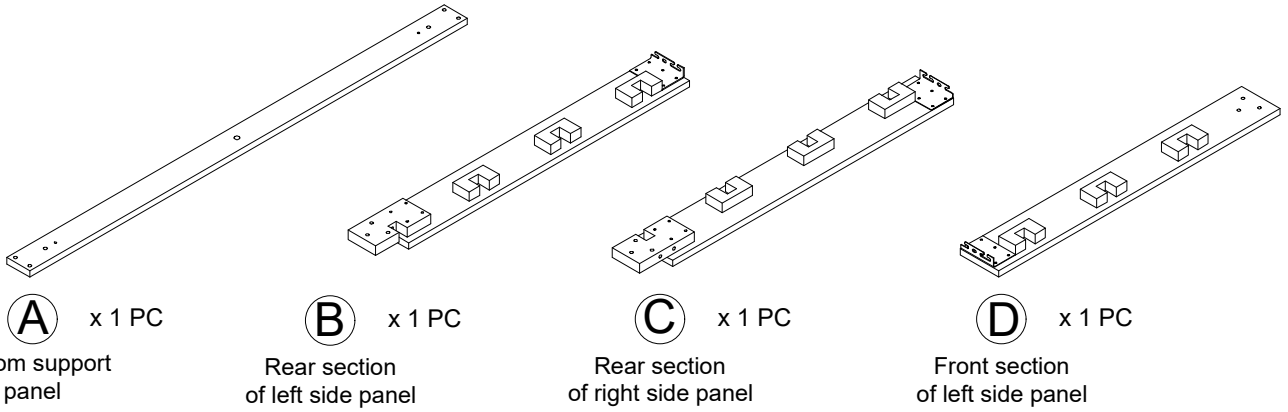
Refer to the enlarged image to ensure all accessories are in their correct positions.



Hardware

<p>1 x 12 PCS</p>  <p>5/16*25 mm Bolt</p>	<p>2 x 24 PCS</p>  <p>5/16*40 mm Bolt</p>	<p>3 x 12 PCS</p>  <p>12*12*1mm Spring washer</p>	<p>4 x 12 PCS</p>  <p>18*18*1 mm Flat washer</p>	<p>5 x 1 PC</p>  <p>59*23*5mm Allen wrench</p>
---	---	---	--	--

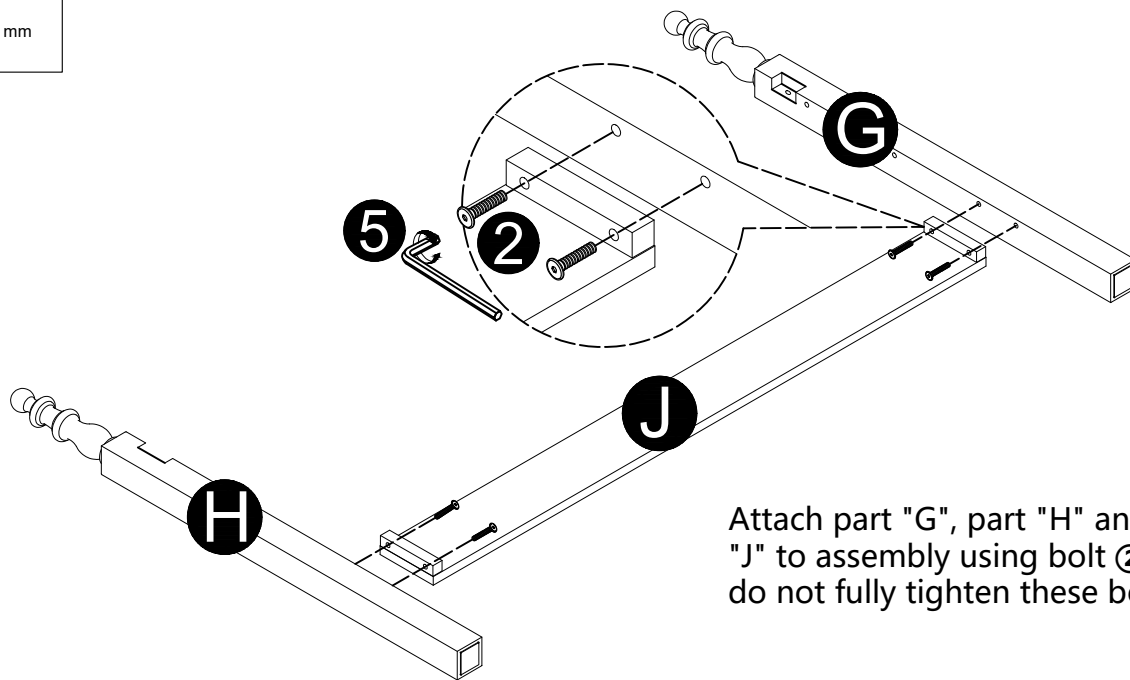
Part



1 ②x 4 PCS



5/16"40 mm
Bolt

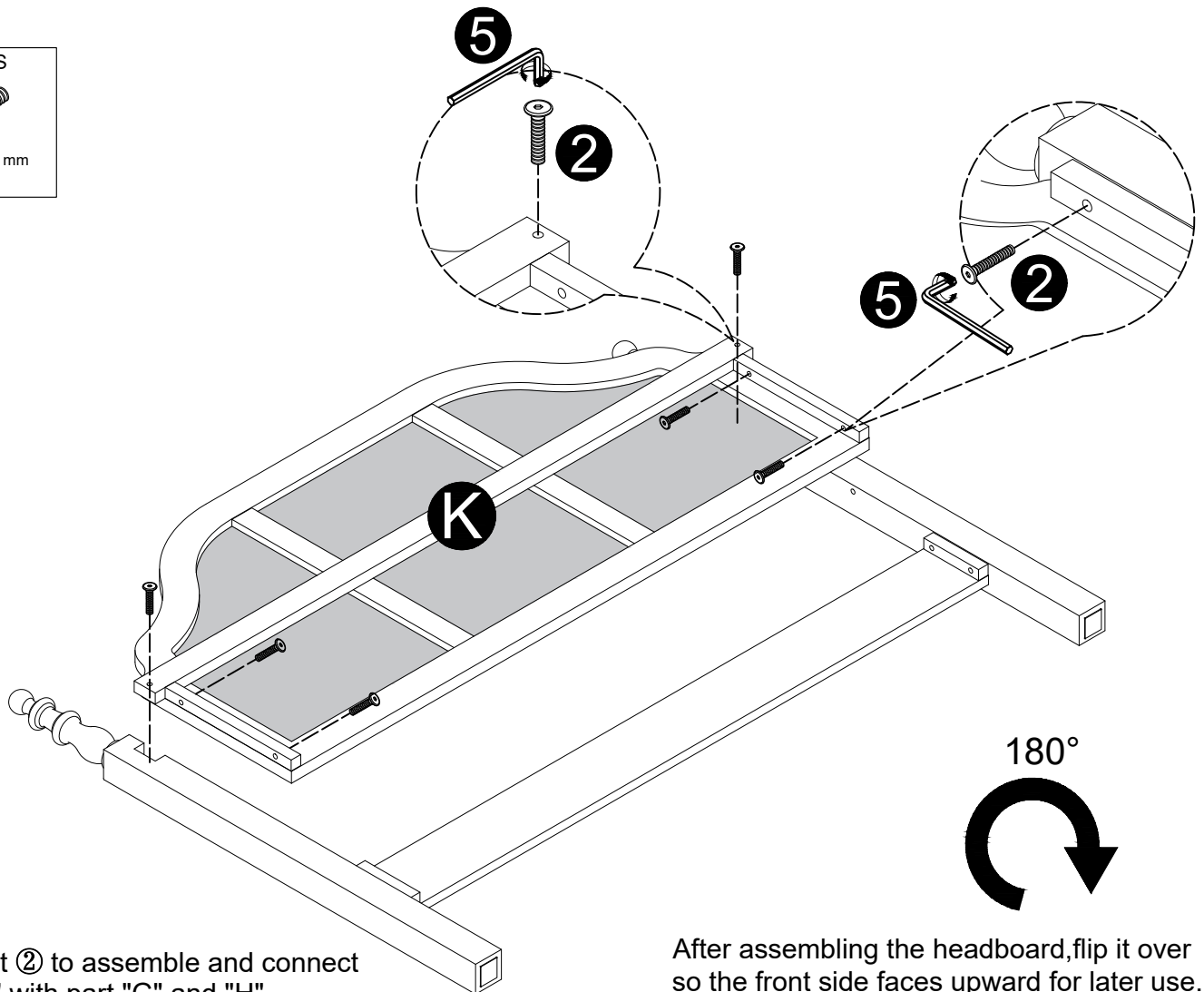


Attach part "G", part "H" and part "J" to assembly using bolt ② and do not fully tighten these bolts yet.

2 ②x 6 PCS



5/16"40 mm
Bolt



Use bolt ② to assemble and connect part "K" with part "G" and "H"

After assembling the headboard, flip it over so the front side faces upward for later use.

Do not fully tighten these bolts.

3

① x 4 PCS



5/16*25 mm
Bolt

③ x 4 PCS



12*12*1mm
Spring washer

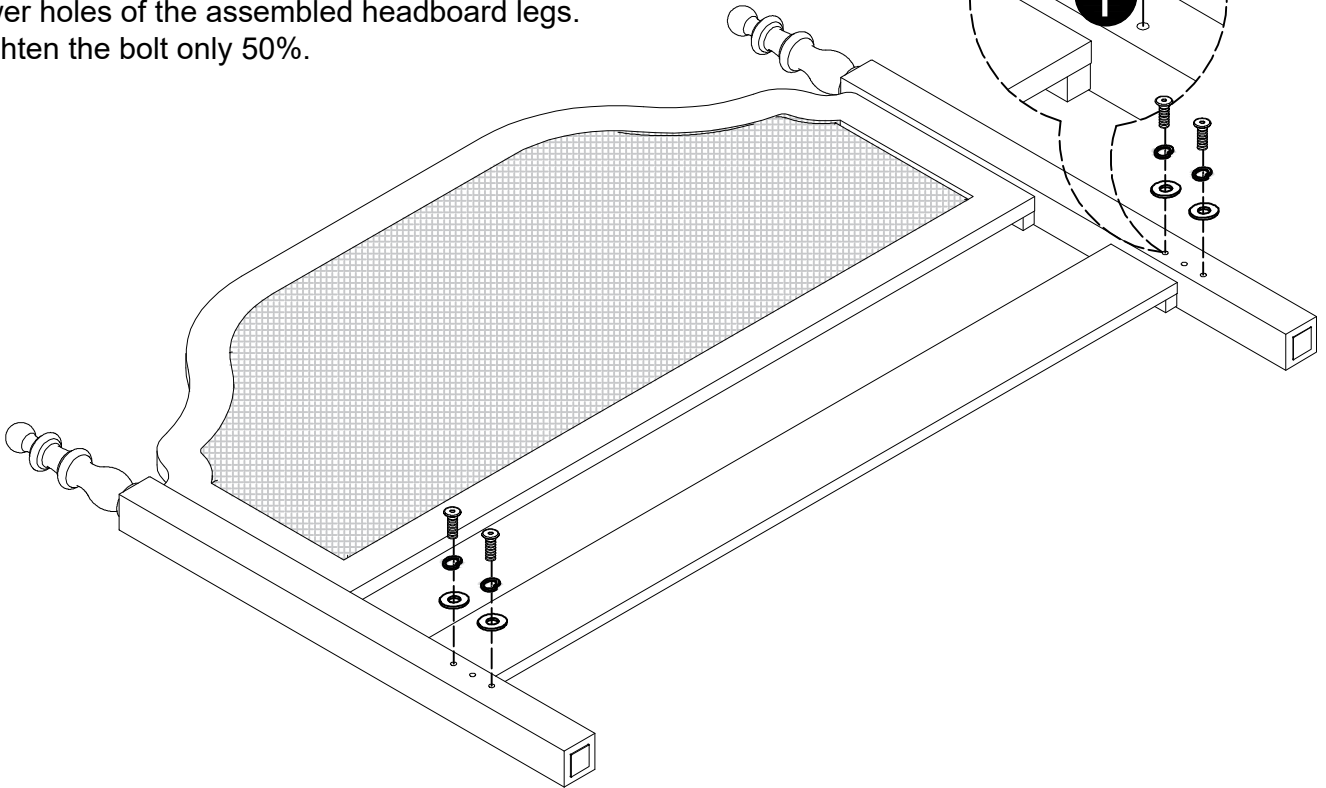
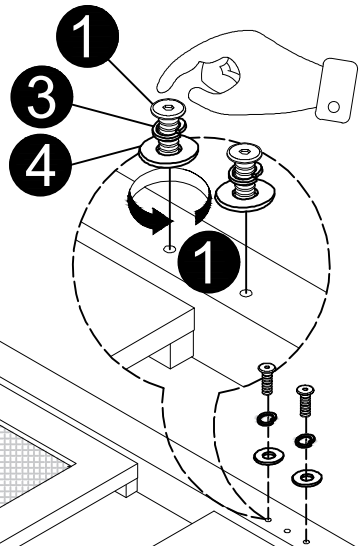
④ x 4 PCS



18*18*1 mm
Flat washer

Lock 50%

Use bolt ① together with spring washer ③ and flat washer ④ into the corresponding upper and lower holes of the assembled headboard legs. Tighten the bolt only 50%.



4

① x 4 PCS



5/16*25 mm
Bolt

③ x 4 PCS



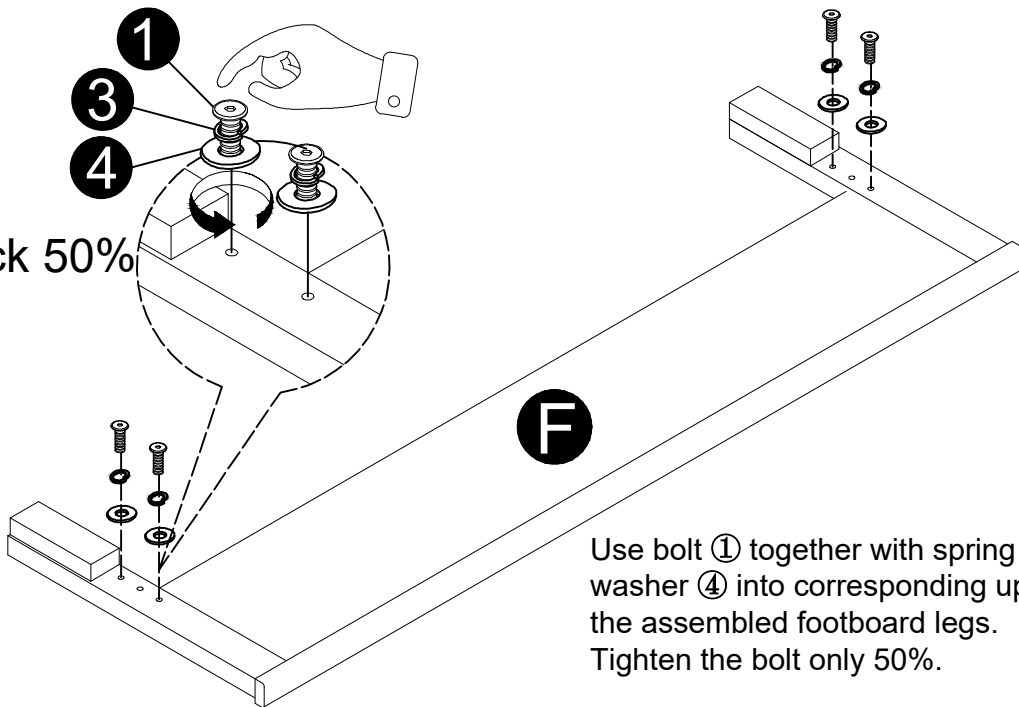
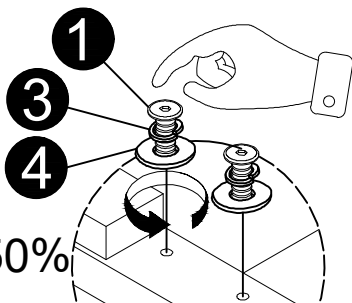
12*12*1mm
Spring washer

④ x 4 PCS



18*18*1 mm
Flat washer

Lock 50%

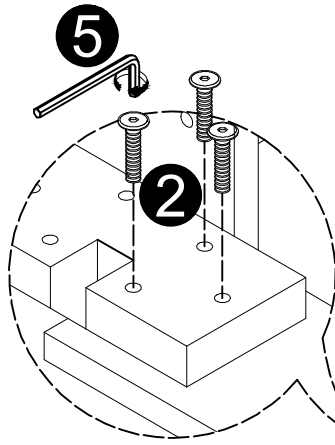


Use bolt ① together with spring washer ③ and flat washer ④ into corresponding upper and lower holes of the assembled footboard legs. Tighten the bolt only 50%.

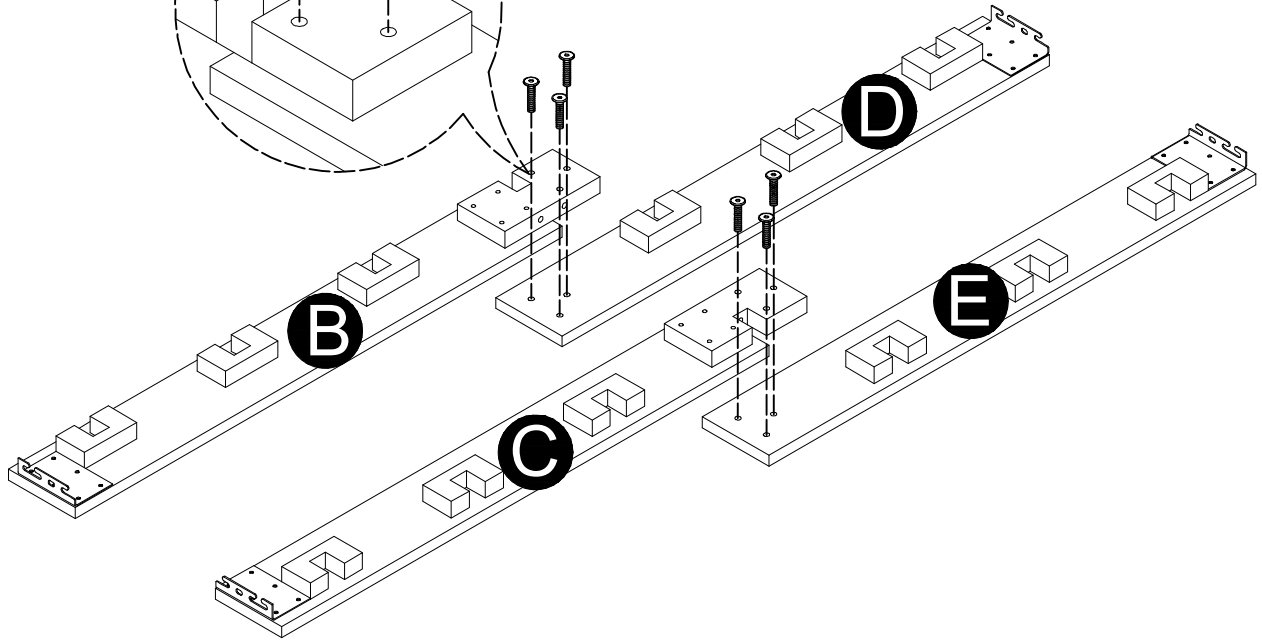
5 ②x 6 PCS



5/16"40 mm
Bolt



Use bolt ② to assemble and connect part "B" with part "D", and part "C" with part "E".
Do not fully tighten yet.



6 ①x 4 PCS



5/16"25 mm
Bolt

③x 4 PCS



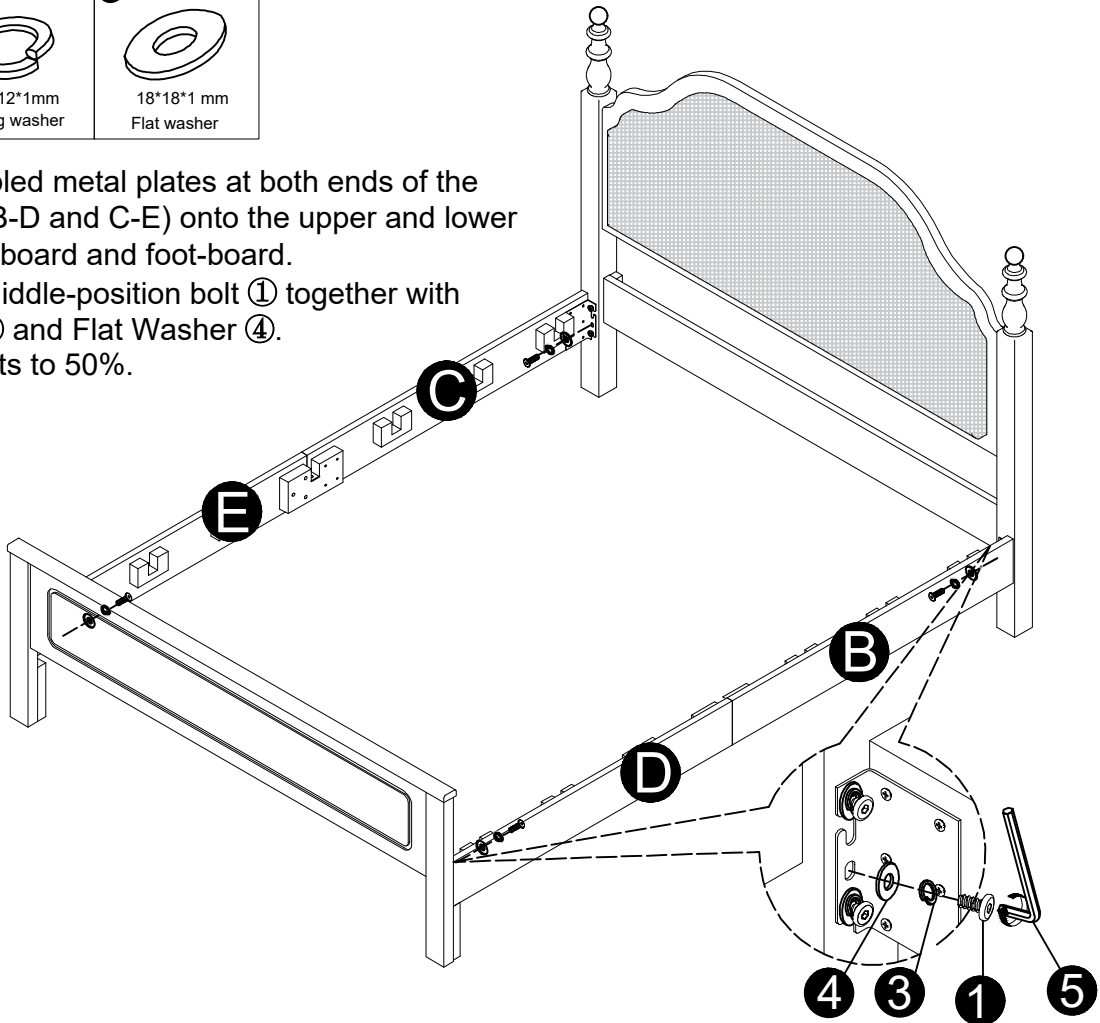
12*12*1mm
Spring washer

④x 4 PCS



18*18*1 mm
Flat washer

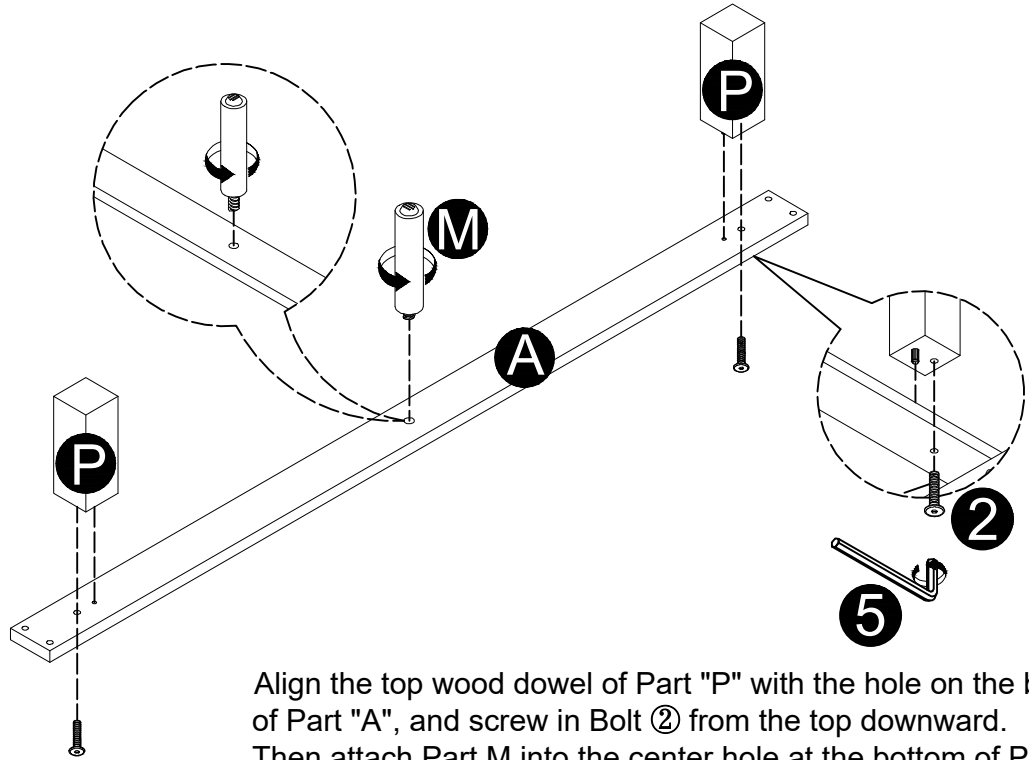
Hang the assembled metal plates at both ends of the bed side panels (B-D and C-E) onto the upper and lower bolts of the head-board and foot-board.
Then insert the middle-position bolt ① together with Spring Washer ③ and Flat Washer ④.
Tighten these bolts to 50%.



7 ②x 2 PCS



5/16"40 mm
Bolt

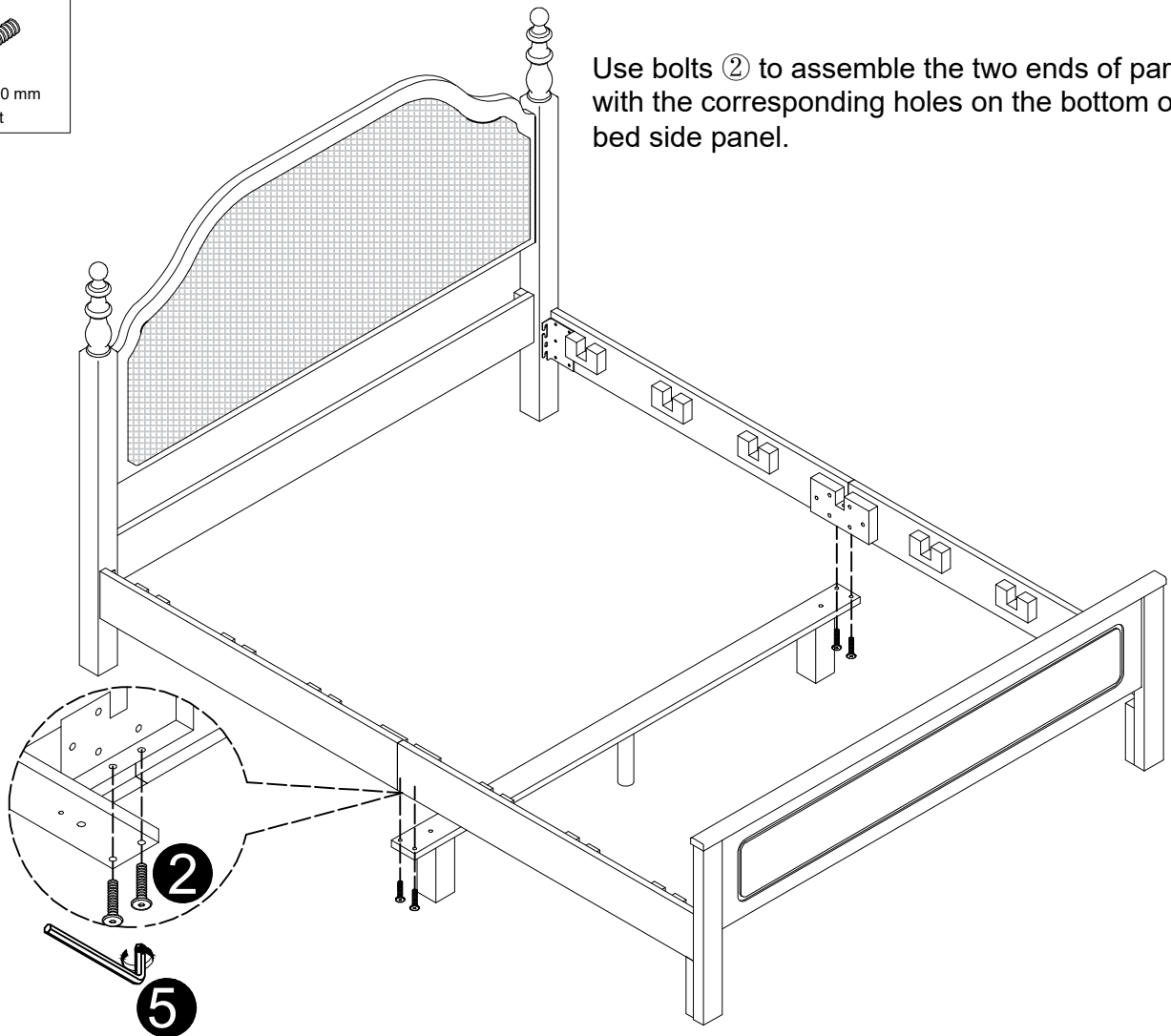


Align the top wood dowel of Part "P" with the hole on the bottom of Part "A", and screw in Bolt ② from the top downward.
Then attach Part M into the center hole at the bottom of Part "A".

8 ②x 4 PCS



5/16"40 mm
Bolt



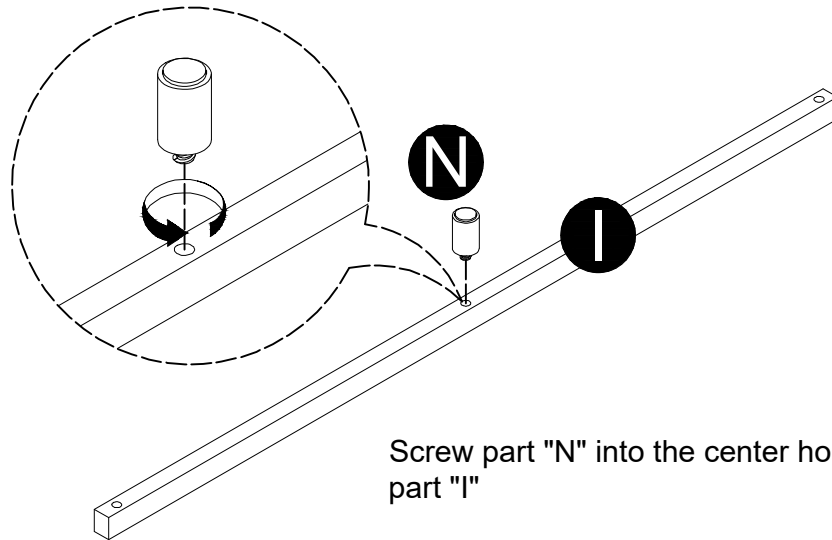
Use bolts ② to assemble the two ends of part "A" with the corresponding holes on the bottom of the bed side panel.

9

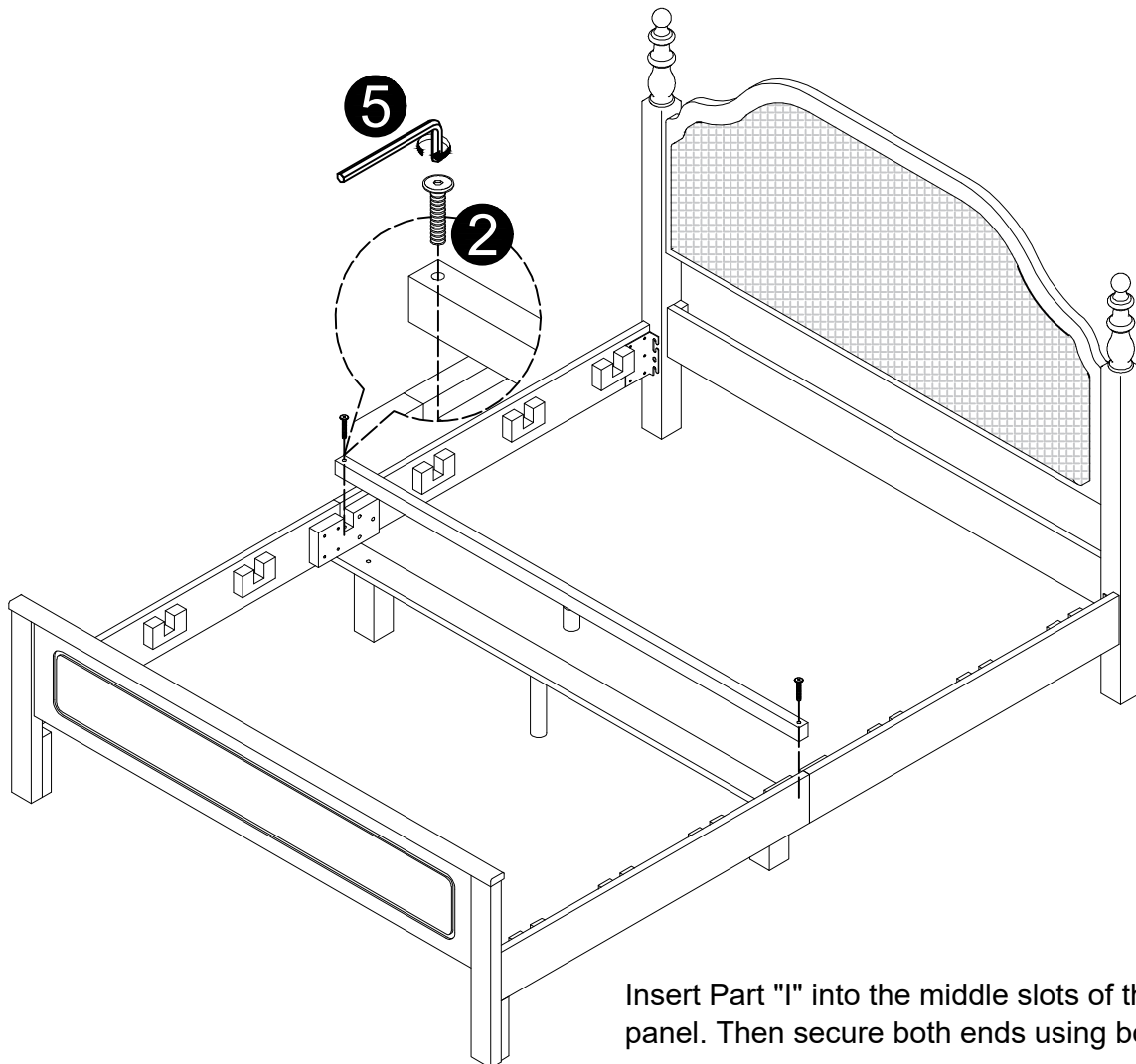
②x 2 PCS



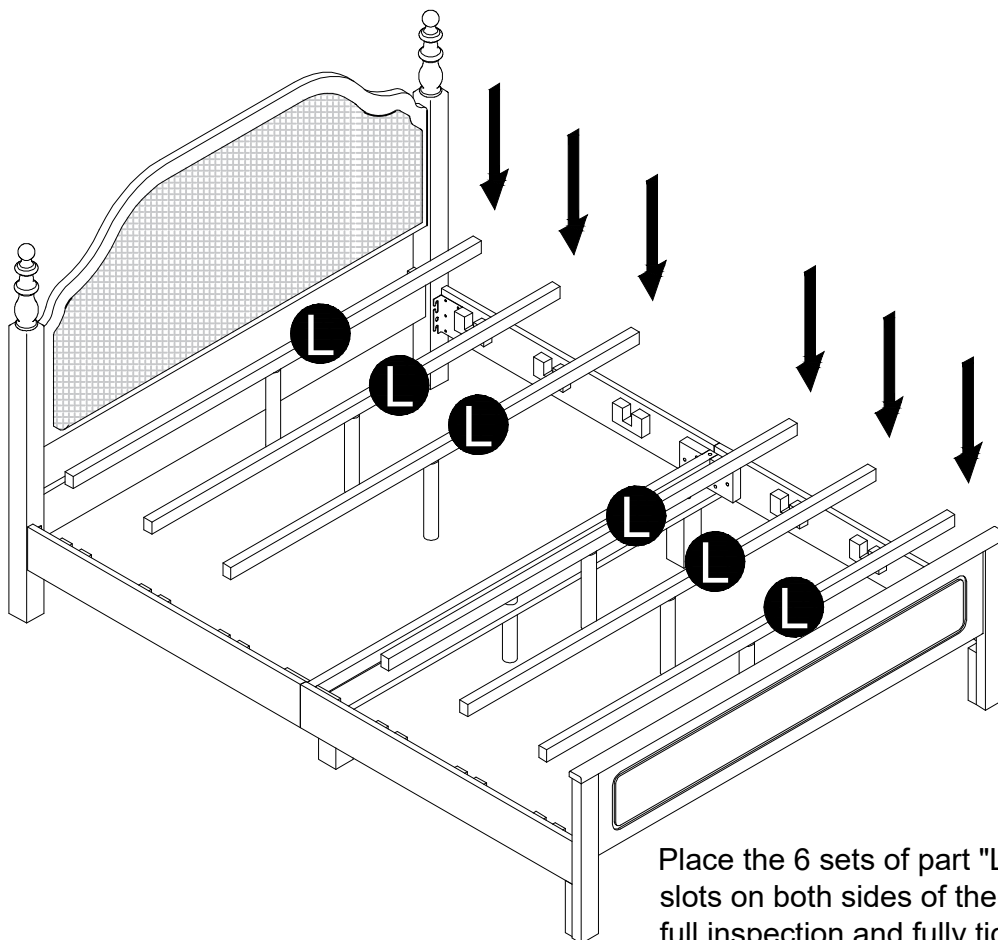
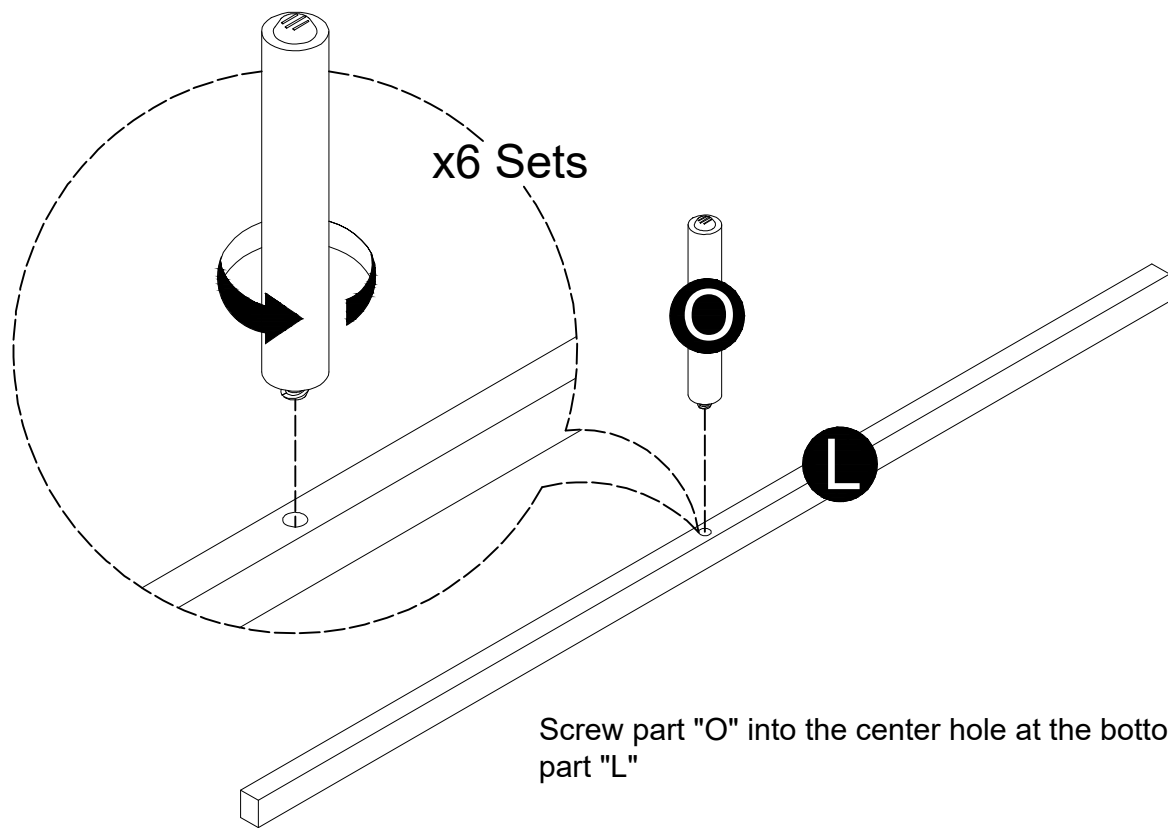
5/16"40 mm
Bolt

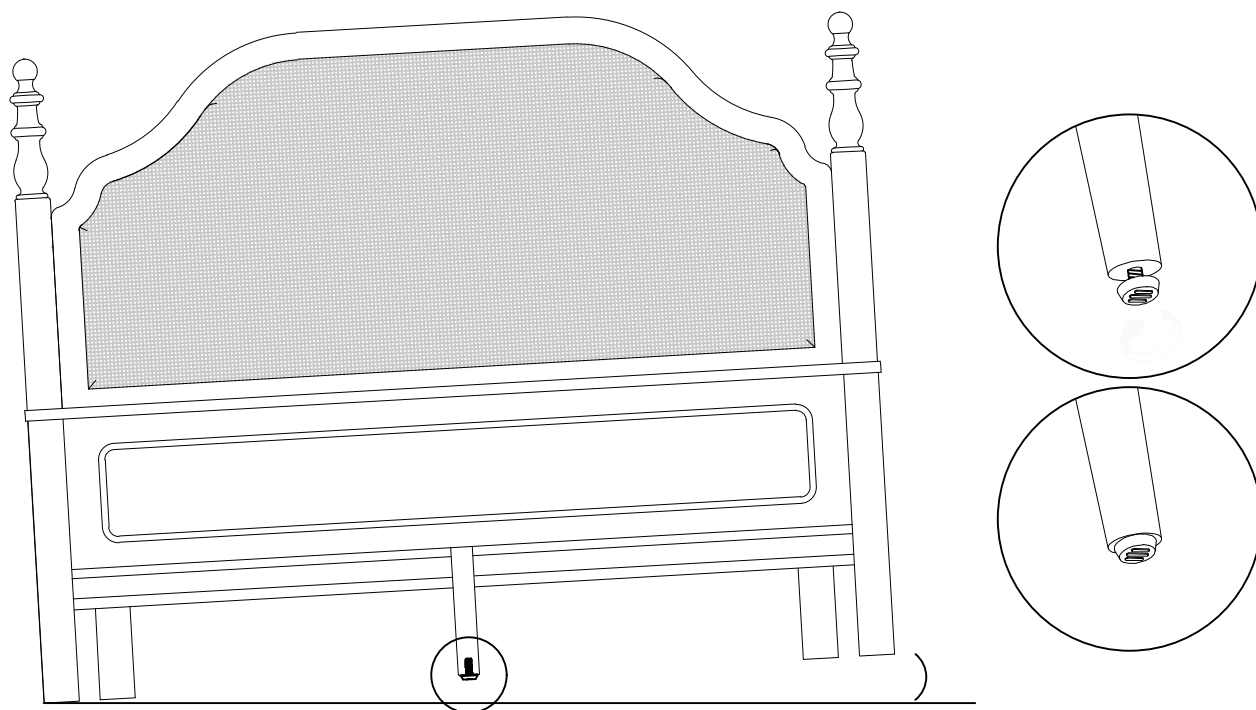


Screw part "N" into the center hole at the bottom of part "I"

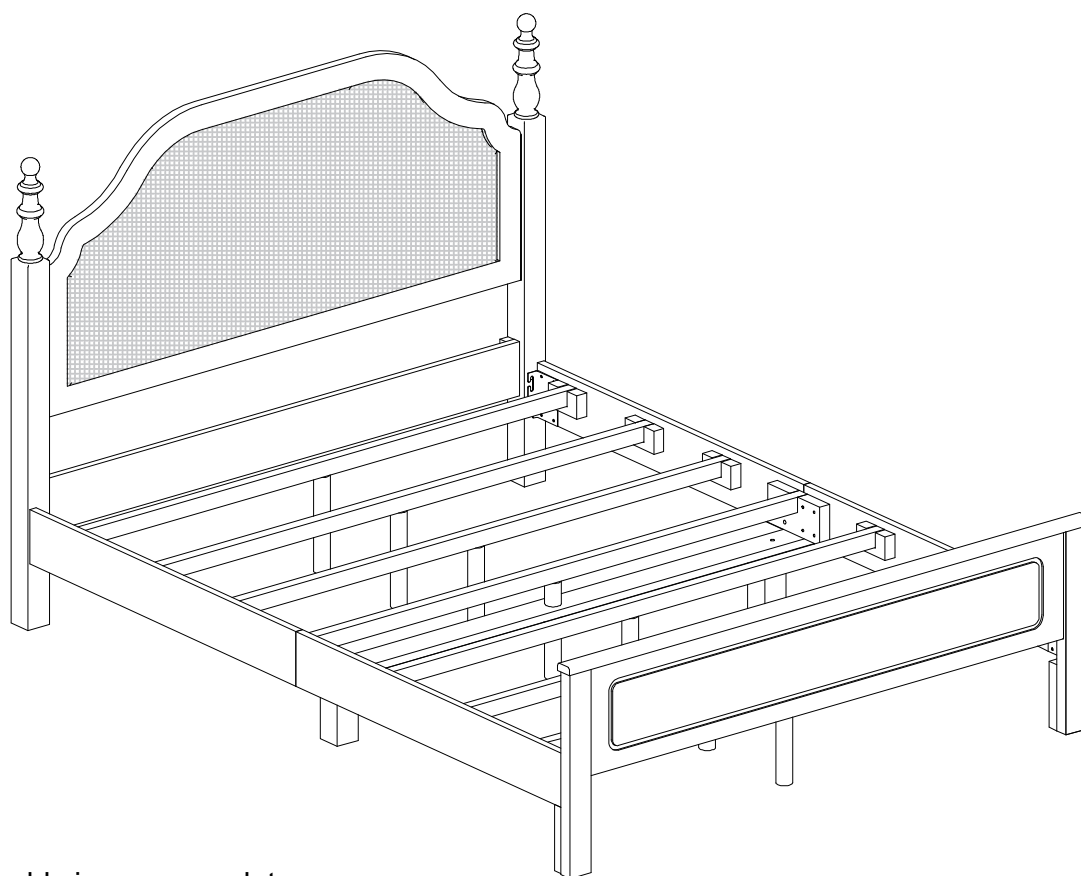


Insert Part "I" into the middle slots of the bed side panel. Then secure both ends using bolt ②× 2.





If the bed slats are uneven, you can adjust the foot pads at the bottom



Your bed assembly is now complete.
Ensure the frame is stable before placing the bed board and mattress.

Completed