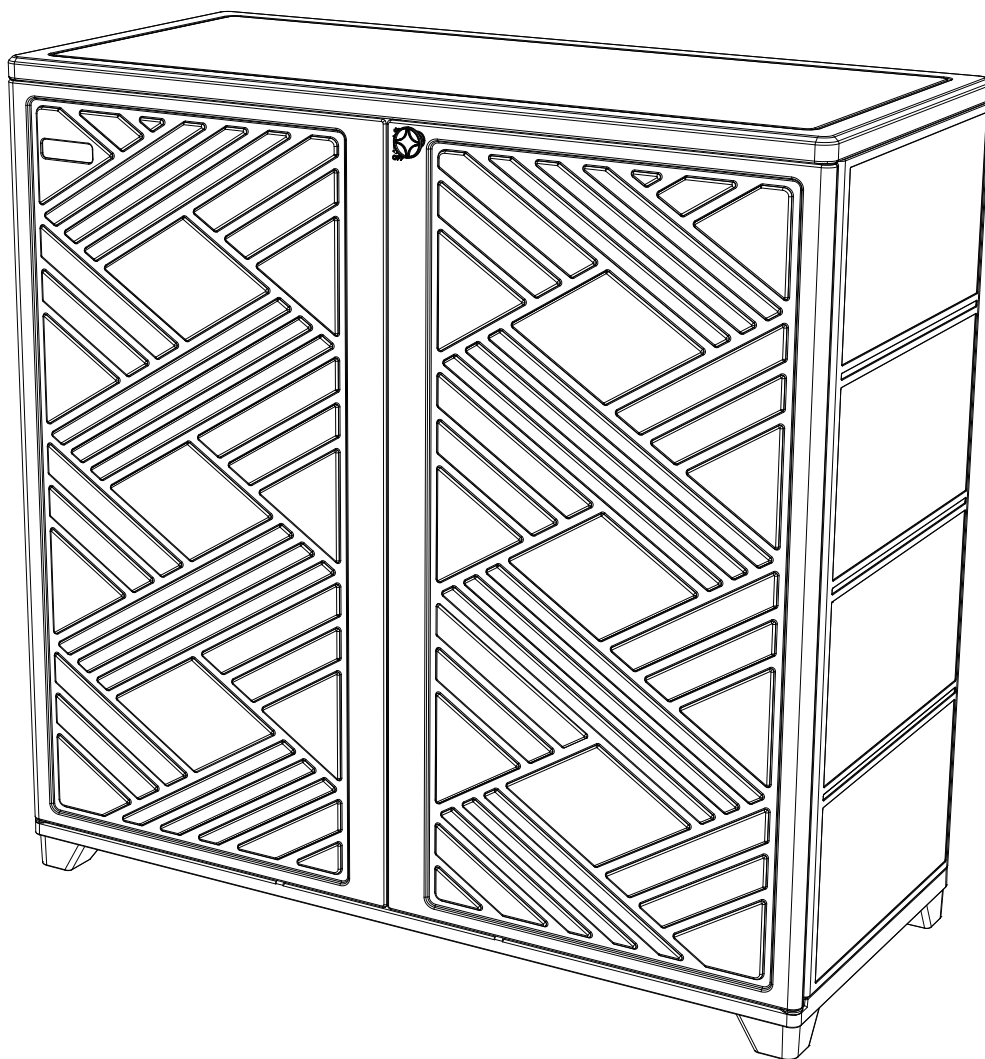


Rhombus cabinet Installation Instructions (B)



Install the required tools

(The installation tools are not included in the packaging bag)

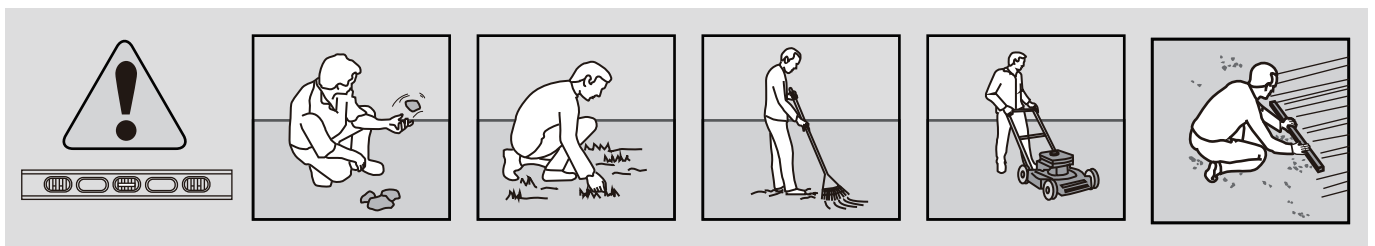


Screwdriver

Precautions

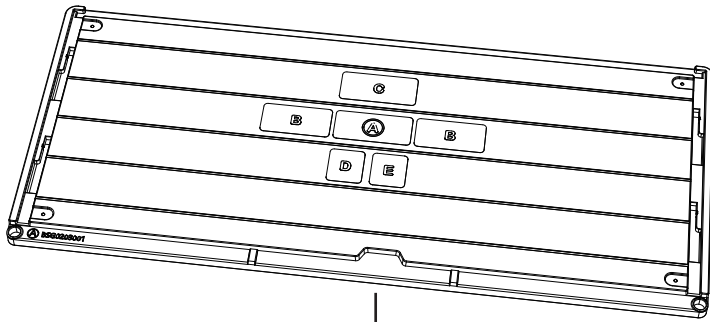
- 1、 Before installation, check all the accessories against the accessory list to ensure they are undamaged. If you find anything incorrect, please contact us.
- 2、 Install all accessories according to the installation instructions.
- 3、 Take out the accessories and install them on a level ground.
- 4、 The company will not be held responsible for the damage of accessories caused by incorrect installation methods. The customer shall bear the loss by themselves.

Level the site

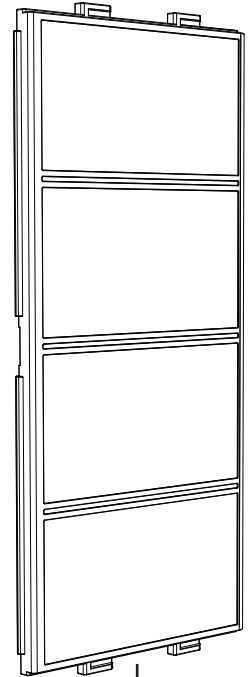


For better installation, please tidy up the ground before installation and keep it level.

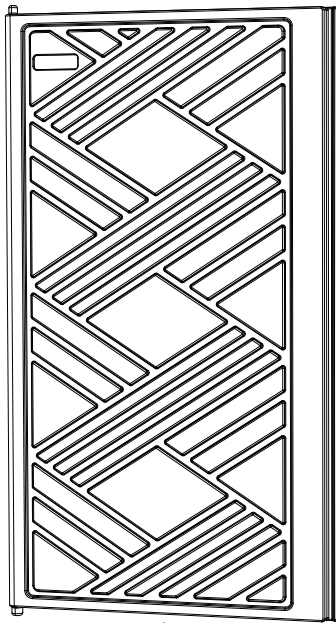
Parts List



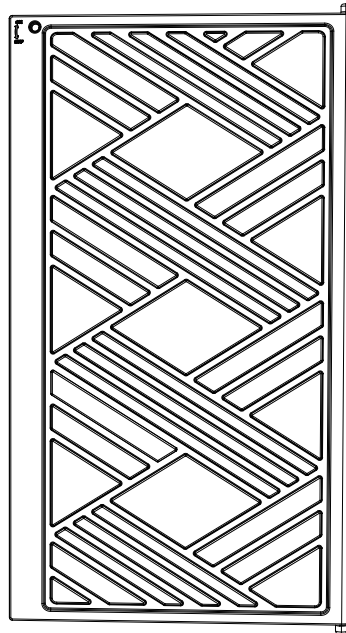
A
1pc



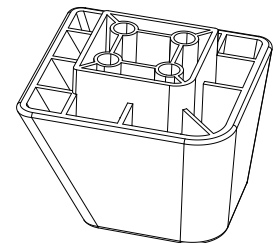
B
2pcs



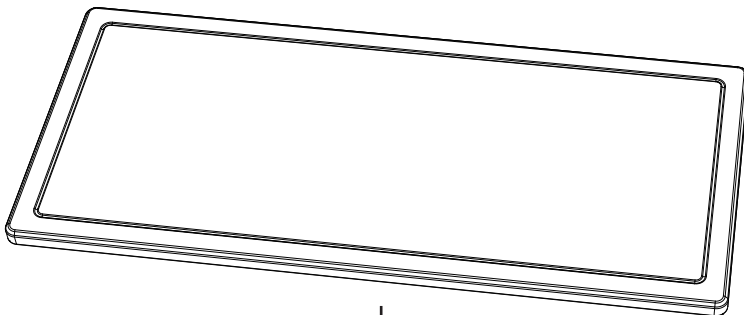
D
1pc



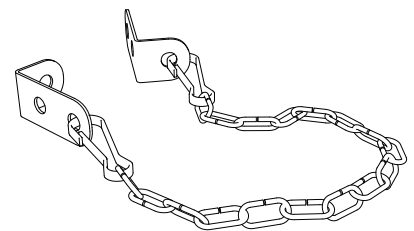
E
1pc



G
5pcs

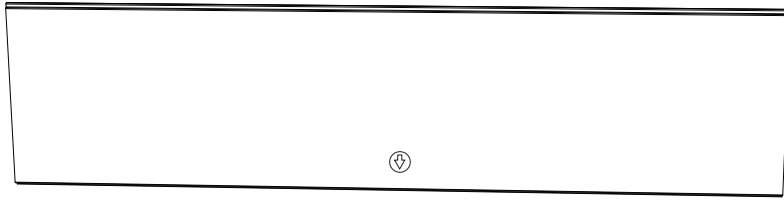


F
1pc

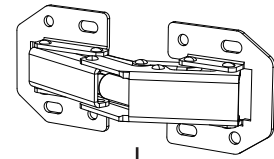


J
1pc

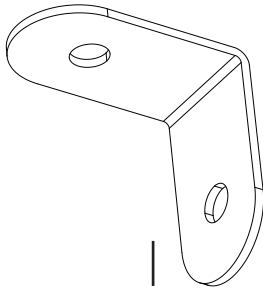
Parts List



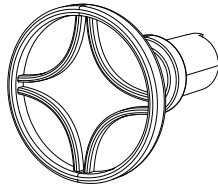
C
4pcs



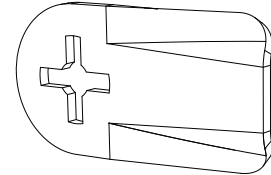
H
2pcs



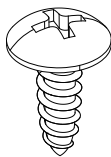
I
8pcs



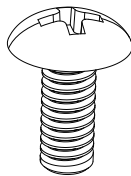
K
1pc



P
1pc

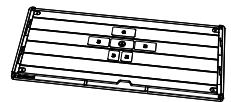


S1
44pcs(spare2pcs)



S2
2pcs(spare1pc)

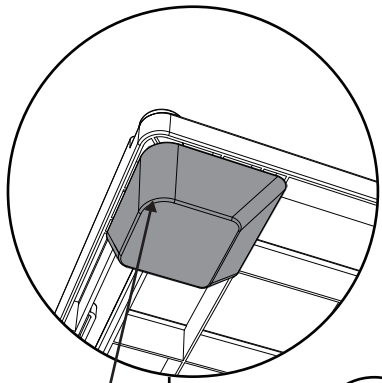
1 Install floor MATS



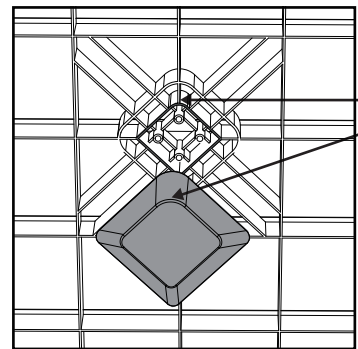
A
1pc



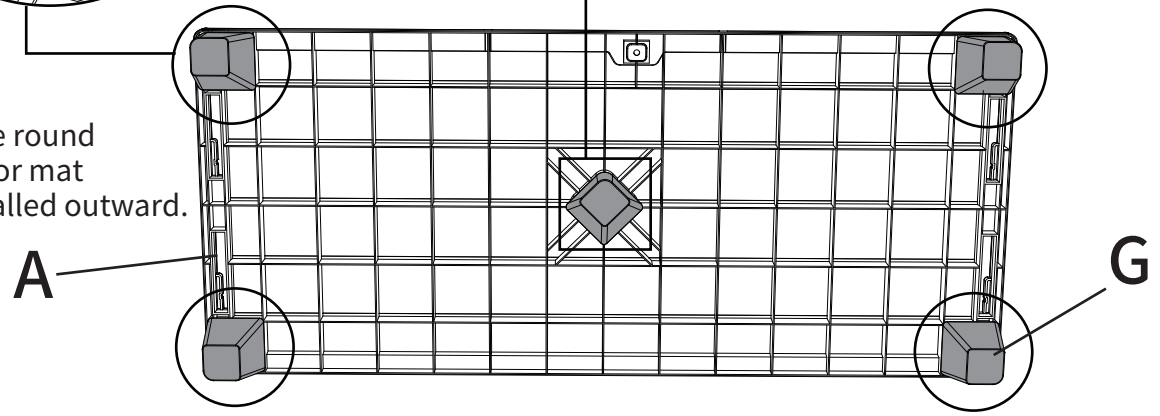
G
5pcs



Note: The large round edge of the floor mat should be installed outward.



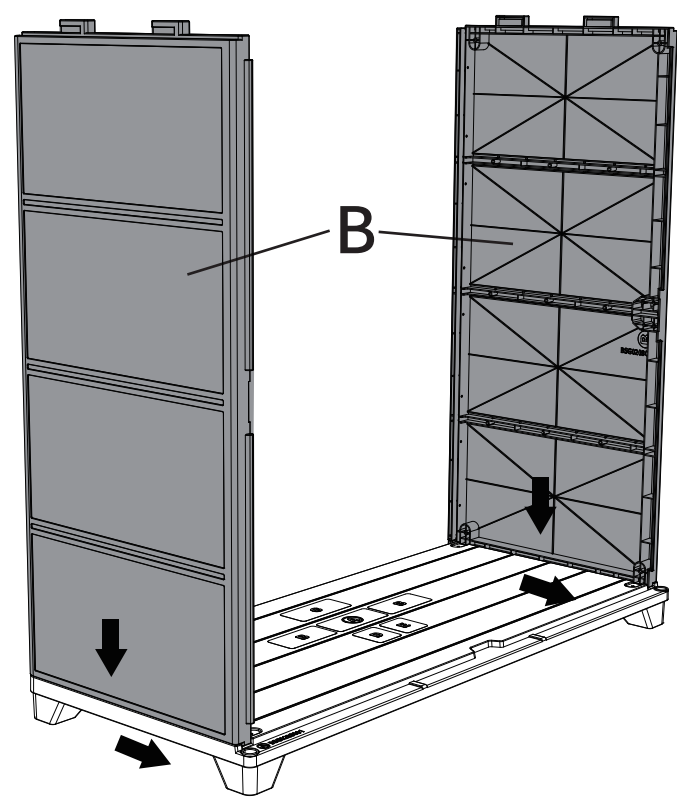
Note: The installation direction of the large round edge during installation.



2 Install the side panel



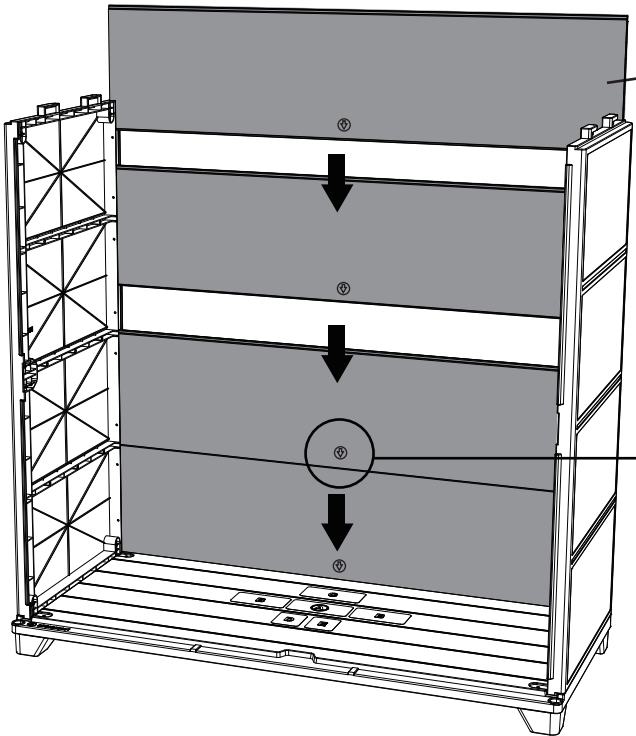
B
2pcs



3 Install the back plate



C
4pcs



Note: When installing, the arrow should point inside the cabinet and downward.

4 Install the cover plate



F
1pc



F

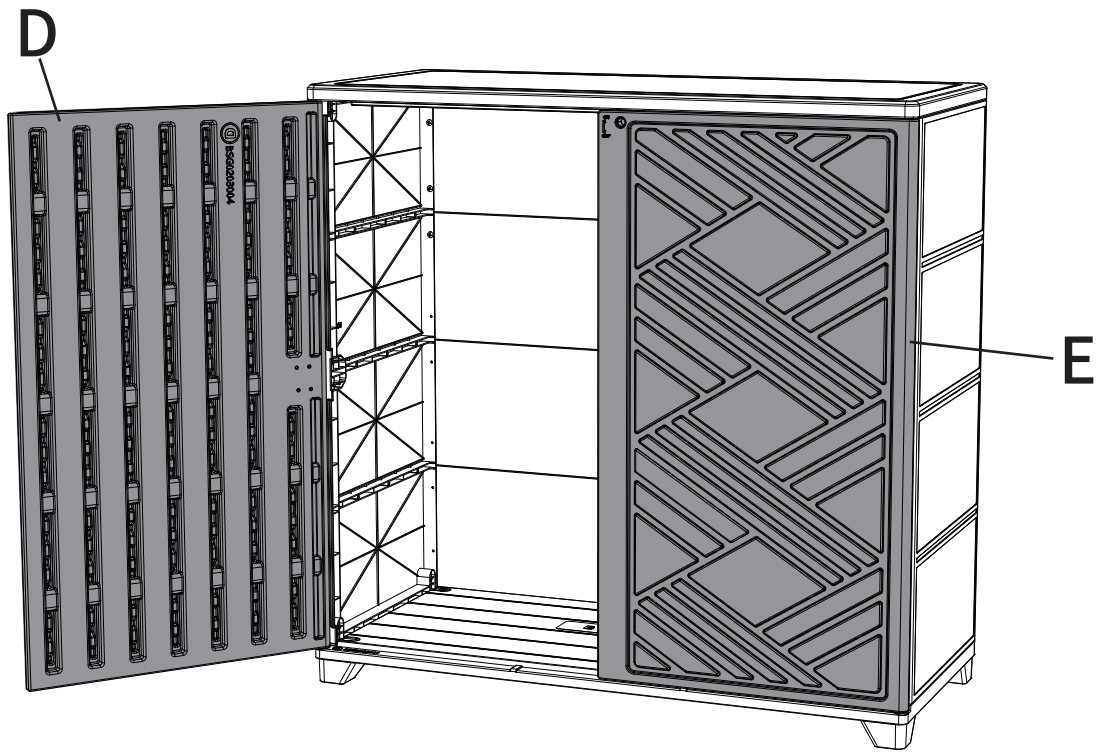
5 Install the door panel



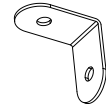
D
1pc



E
1pc



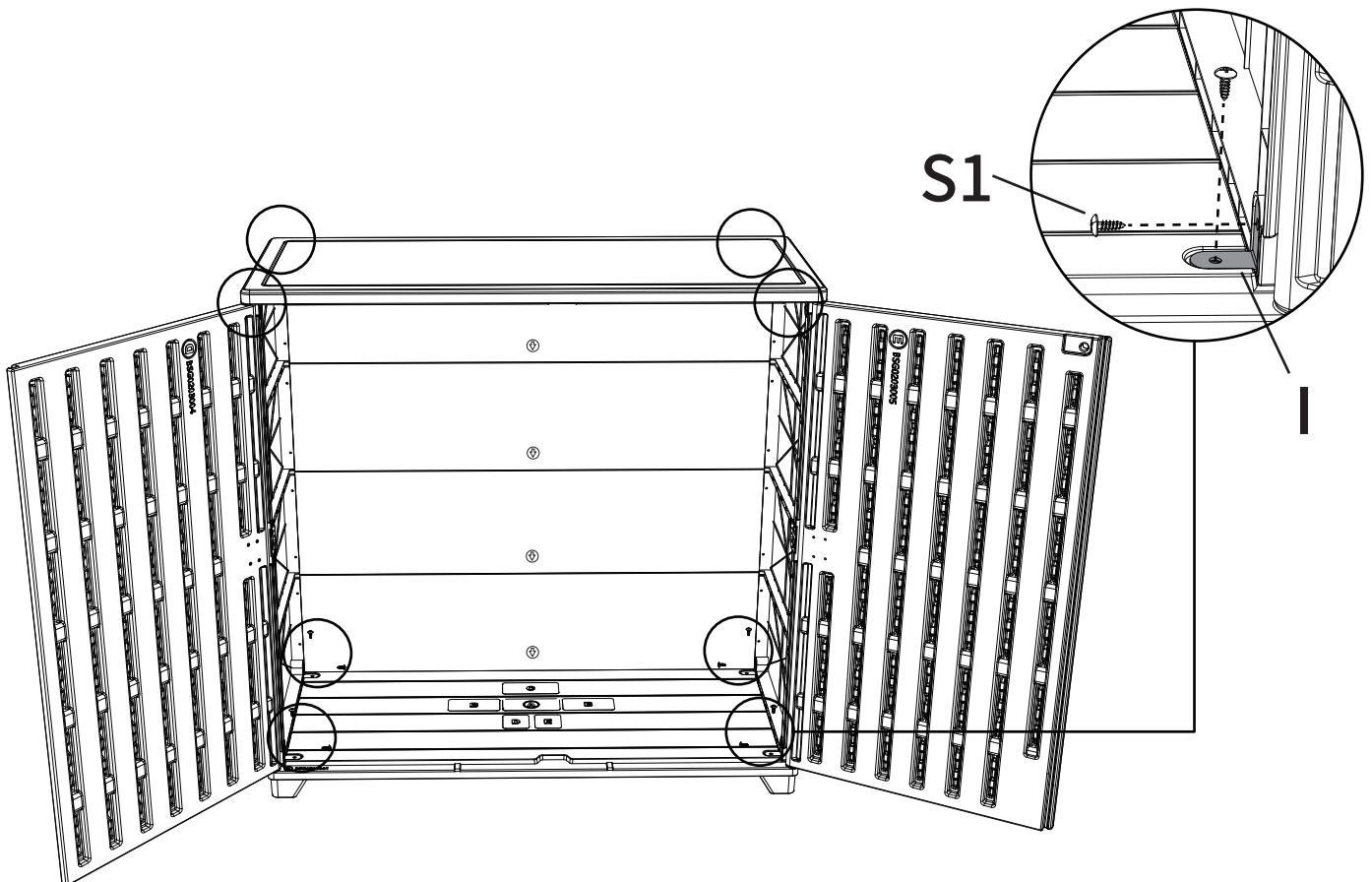
6 Install the upper cover fixing plate



I
8pcs



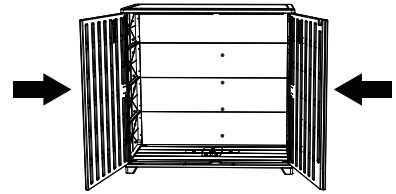
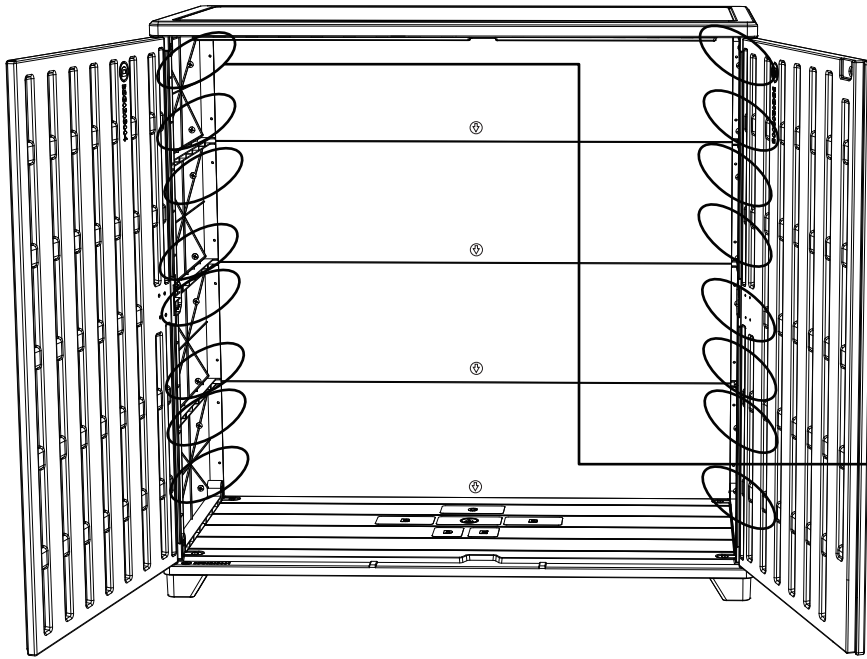
S1
16pcs



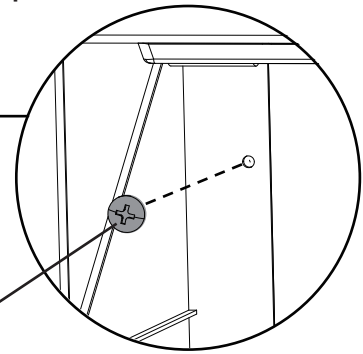
7

Fixed back plate

 **S1**
16pcs



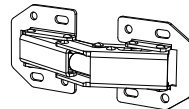

Note: When installing, press the side panels inward to facilitate the fixation of the back panel with screws.



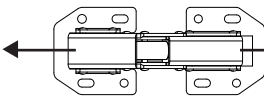
S1

8

Install the hinges

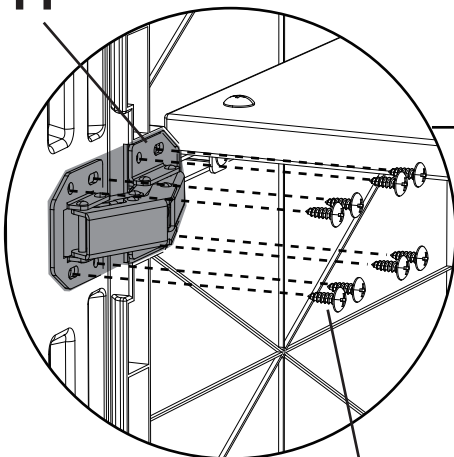
 **H**
2pcs  **S1**
16pcs

The wide side is installed on the door panel

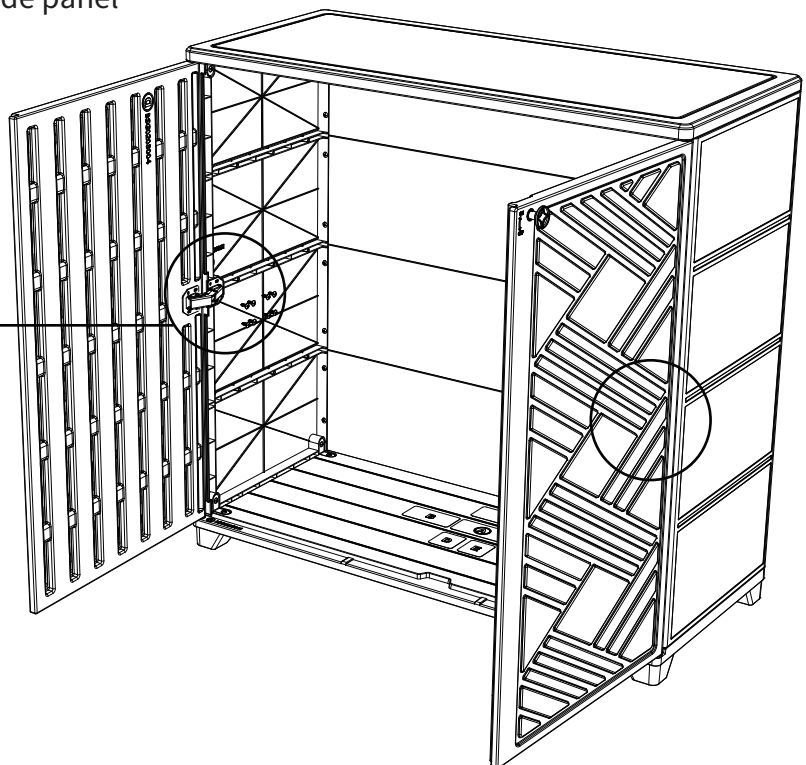


It is installed on the side panel

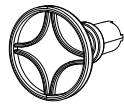
H



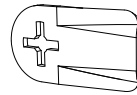
S1



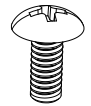
9 Install the handle



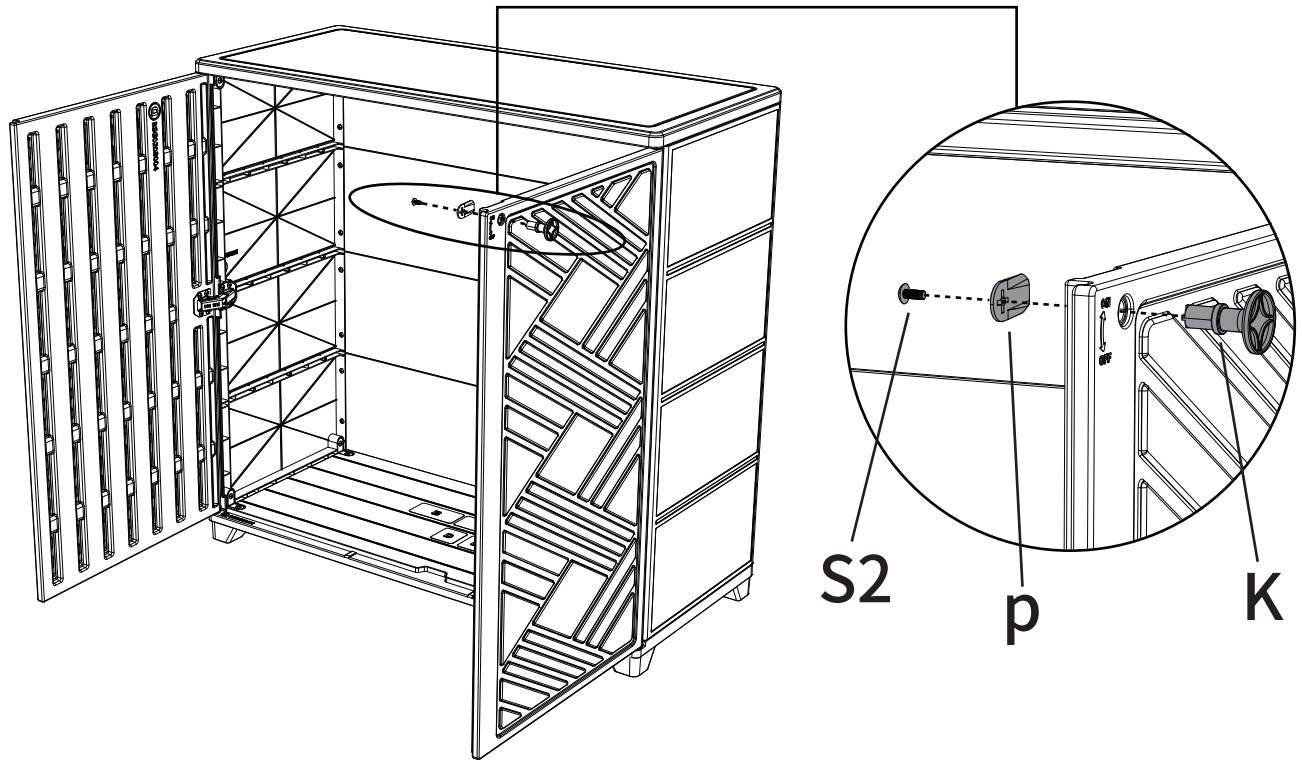
K
1pc



P
1pc



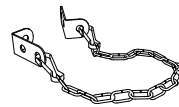
S2
1pc



10 Install the chain



S1
2pcs



J
1pc



Expansion screw

