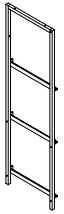
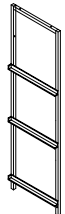
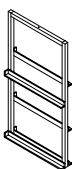
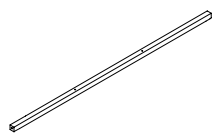
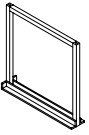
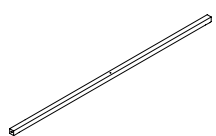
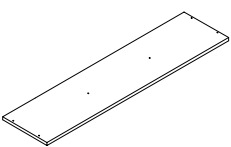
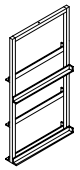
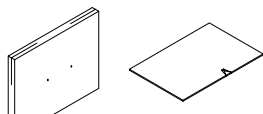
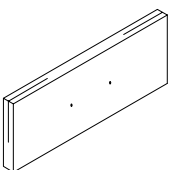
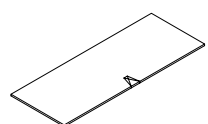
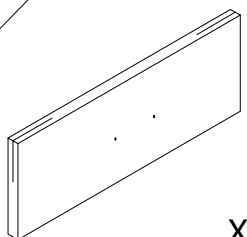
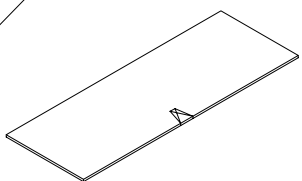

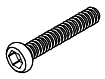

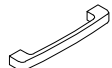





ASSEMBLY INSTRUCTION

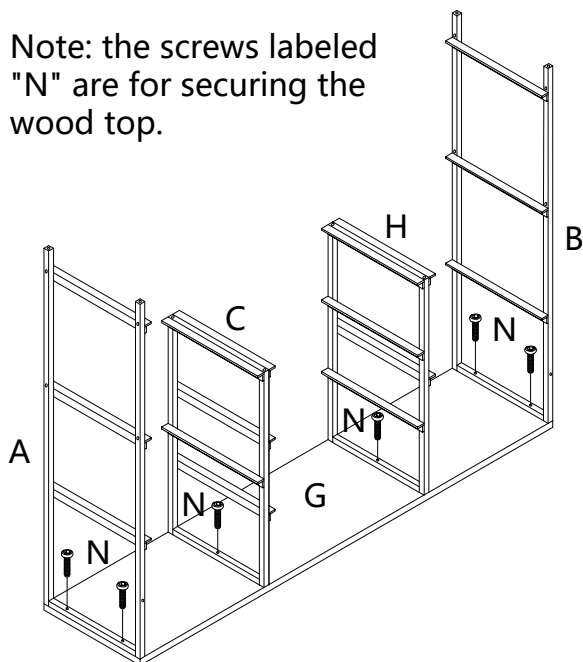
It would be best if you set aside and organize all pieces & corresponding "nuts/ bolts" first.
Please follow the instruction to assemble the item correctly.
Could be assembled by one person, but would recommend two.
Do not tighten the screws until all of them are in right positions.

SAFETY INFORMATION
The accessory bag contains some small accessories, which should be kept away from children.

A  X1	B  X1	C  X1	D  X2	E  X1
F  X2	G  X1	H  X1	I  X4	J  X3
K  X3	L  X2	M  X2	N  M6x25mm X6	O  M6x28mm X16
P  M4x6mm X18	Q  X9	R  X4	S  X2	T  X1

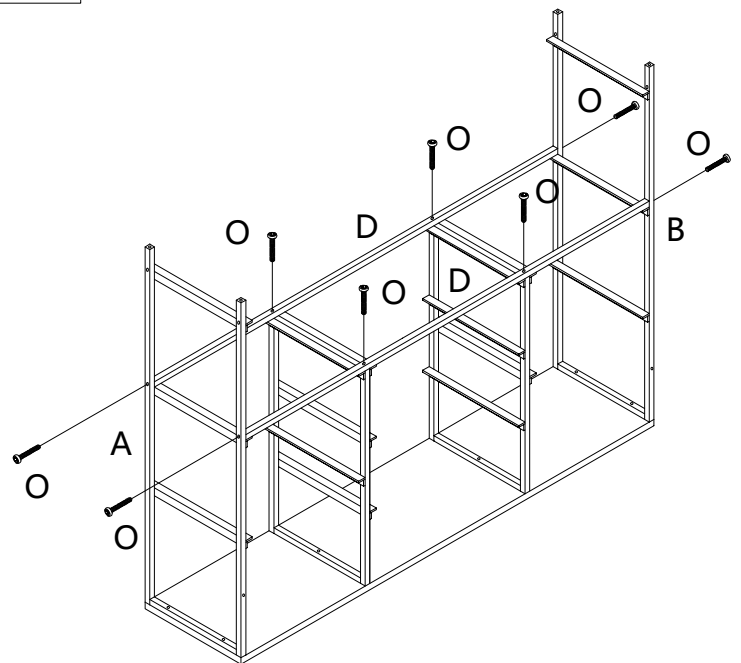
1

Note: the screws labeled "N" are for securing the wood top.



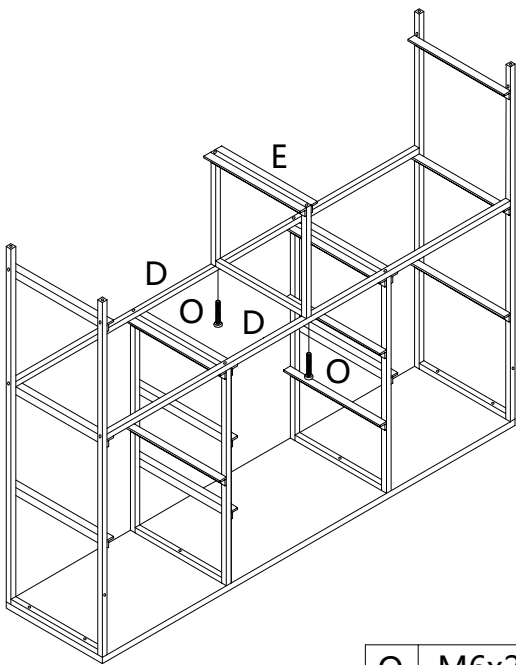
N M6x25 x6

2



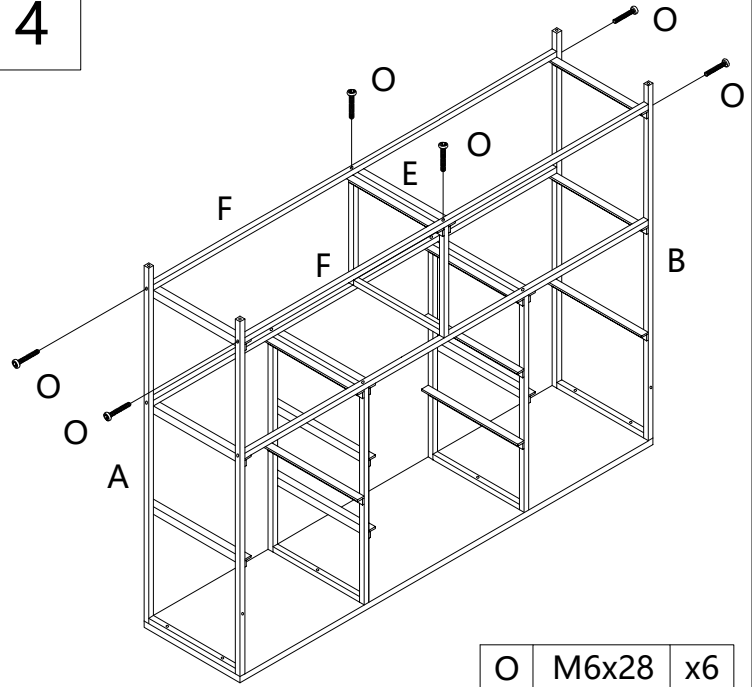
O M6x28 x8

3



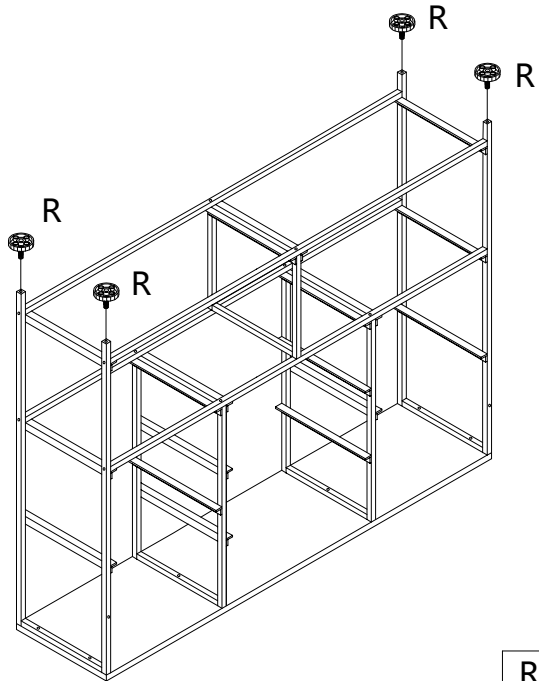
O	M6x28	x2
---	-------	----

4



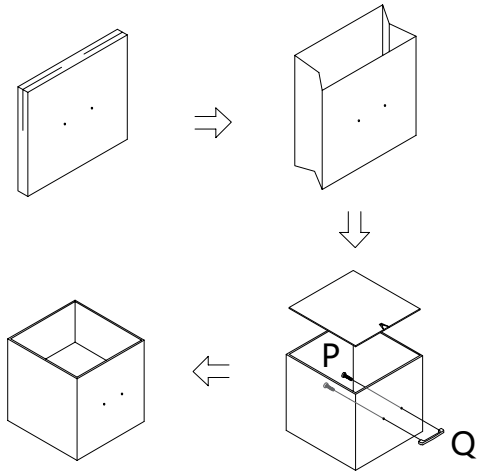
O	M6x28	x6
---	-------	----

5



R	x4
---	----

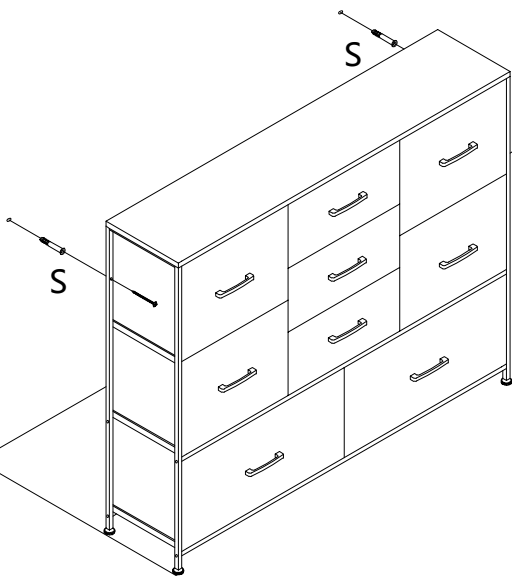
6



P	M4x6	x18
---	------	-----

Q	x9
---	----

7



S	x2
---	----