





# ASSEMBLY INSTRUCTIONS & PARTS IDENTIFICATION

Thank you for purchasing this quality product. Be sure to check all packing material carefully for small parts that may have come loose inside the carton during shipment

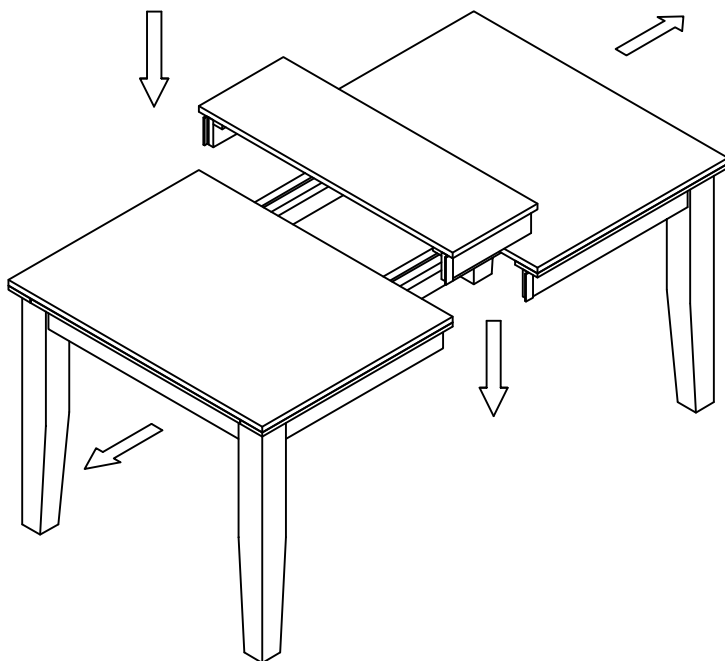
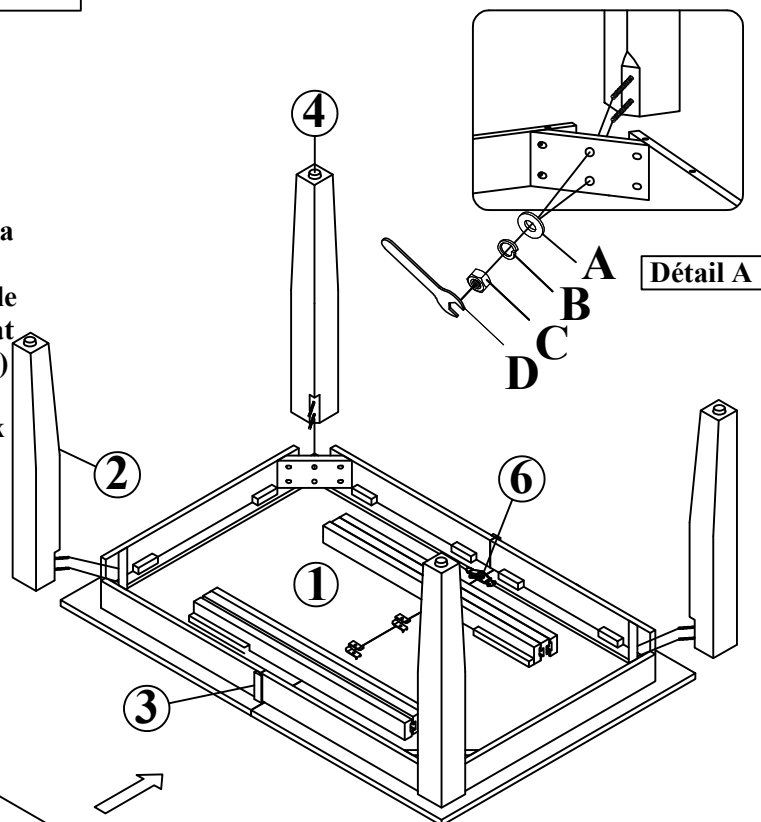
Key Parts			
No		Q'Ty	Description
1		1 pc	Table Top
2		4 pcs	Table Leg
3		4 pcs	Apron Spacer
4		4 pcs	Floor Glide
5		2 sets	Extension Mechanism
6		4 sets	Extension Lock

Hardware kit			
No		Description	Q'Ty
A		Flat washer 5/16"	8 pcs
B		Lock washer 5/16"	8 pcs
C		Hexa Nut 5/16"	8 pcs
D		Wrench	1 pc

Two persons required to set up table

## STEP 1

- Carefully lay Table Top upside down on a smooth flat surface to prevent scratches.
- Affix each Leg to each corner of the Table Top as shown in illustration. Insert a Flat Washer(A), Lock Washer(B) and Hex Nut(C) on to the bolts of each Leg.
- Once all Legs are in place, fully tighten Hex Nuts by turning clockwise using provided Wrench (D) until secure. (See Detail A)



## STEP 2

Fully extend both sides of the table and carefully place the removable leaf in place lining up the pins and holes with the table top. Reverse procedure for storage.